

US00D948876S

(12) **United States Design Patent**
Yang

(10) **Patent No.:** **US D948,876 S**

(45) **Date of Patent:** **** Apr. 19, 2022**

- (54) **COMB**
- (71) Applicant: **Binjiang Yang**, Loudi (CN)
- (72) Inventor: **Binjiang Yang**, Loudi (CN)
- (**) Term: **15 Years**

D903,333 S	*	12/2020	Choi	D4/134
D913,703 S	*	3/2021	Sze	D4/134
D934,567 S	*	11/2021	Liang	D4/134
D935,197 S	*	11/2021	Rennette	D4/134
D936,372 S	*	11/2021	Hulin	D4/134
D939,219 S	*	12/2021	Hinds	D4/134
D940,468 S	*	1/2022	Sommer	D4/134
D941,036 S	*	1/2022	Hinds	D4/134

(21) Appl. No.: **29/802,953**

* cited by examiner

(22) Filed: **Aug. 9, 2021**

Primary Examiner — Austin Murphy

(51) **LOC (13) Cl.** **04-99**

(57) **CLAIM**

(52) **U.S. Cl.**
USPC **D4/134**

The ornamental design for a comb, as shown and described.

(58) **Field of Classification Search**
 USPC D4/100, 117-132; D30/158, 159;
 15/186, 105, 106, 142, 143.1, 160, 187
 CPC A46B 5/00; A46B 5/02; A46B 5/04; A46B
 9/00; A46B 9/02; A46B 9/025; A45D
 24/00; A45D 24/10
 See application file for complete search history.

DESCRIPTION

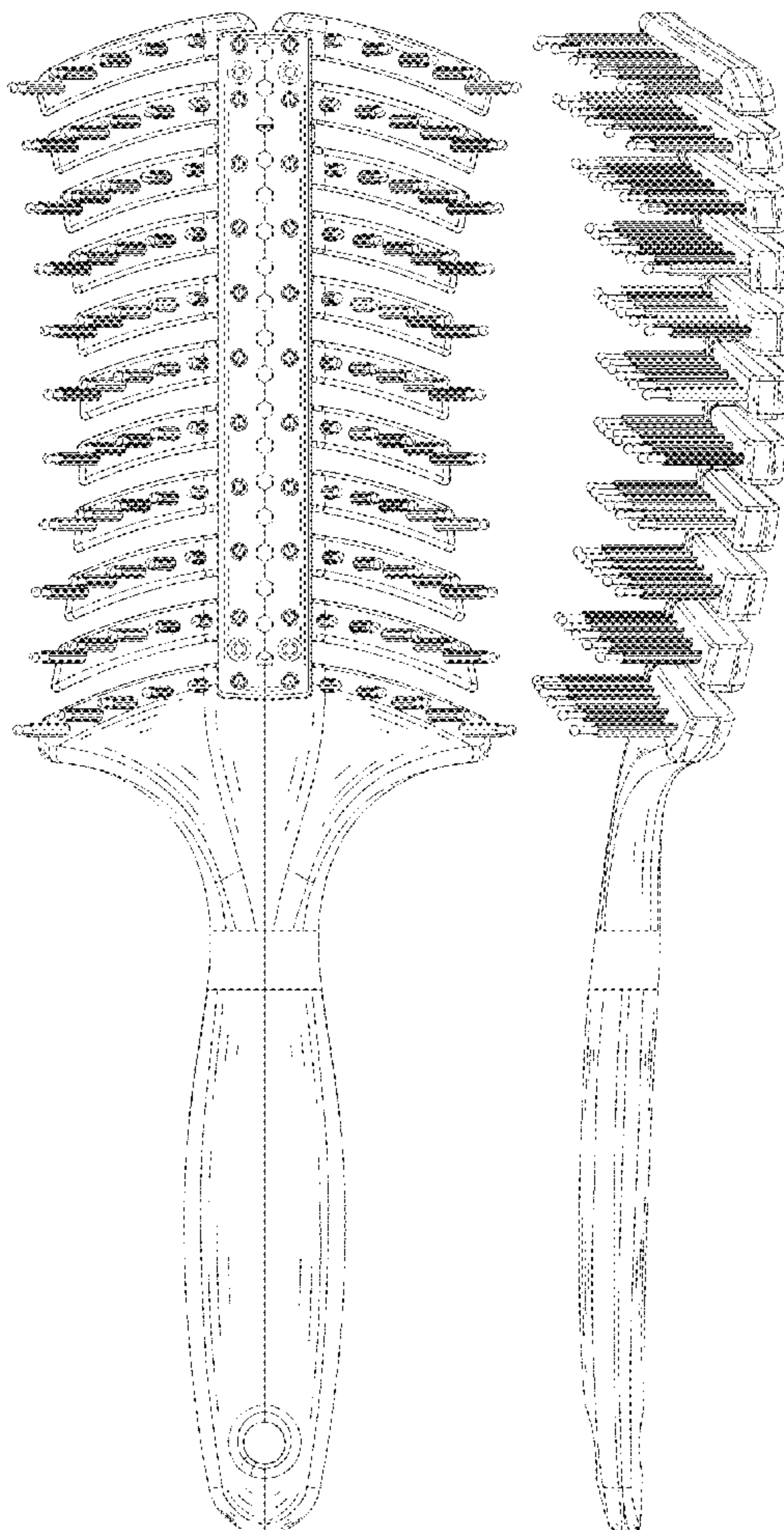
FIG. 1 is a perspective view of a comb showing my new design;
 FIG. 2 is another perspective view thereof;
 FIG. 3 is a front elevational view thereof;
 FIG. 4 is a rear elevational view thereof;
 FIG. 5 is a left side elevational view thereof;
 FIG. 6 is a right side elevational view thereof;
 FIG. 7 is a top plan view thereof; and,
 FIG. 8 is a bottom plan view thereof.

(56) **References Cited**

U.S. PATENT DOCUMENTS

D896,531 S	*	9/2020	Lai	D4/134
D898,377 S	*	10/2020	Long	D4/134

1 Claim, 8 Drawing Sheets



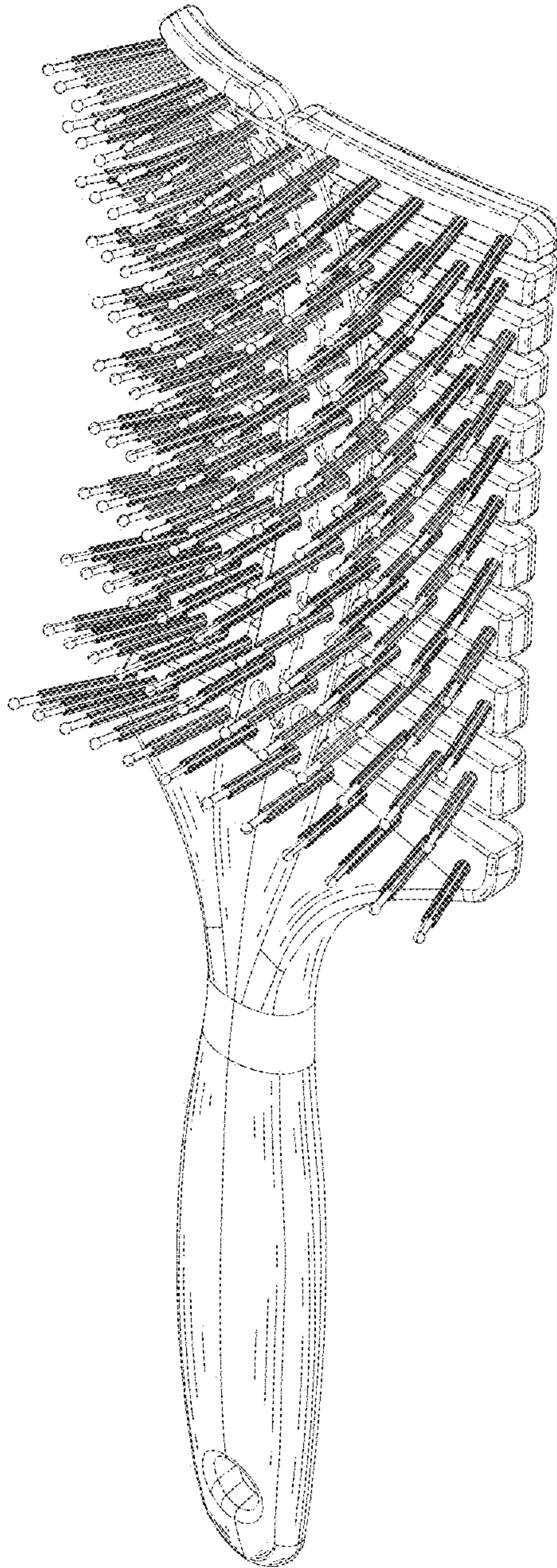


FIG. 1

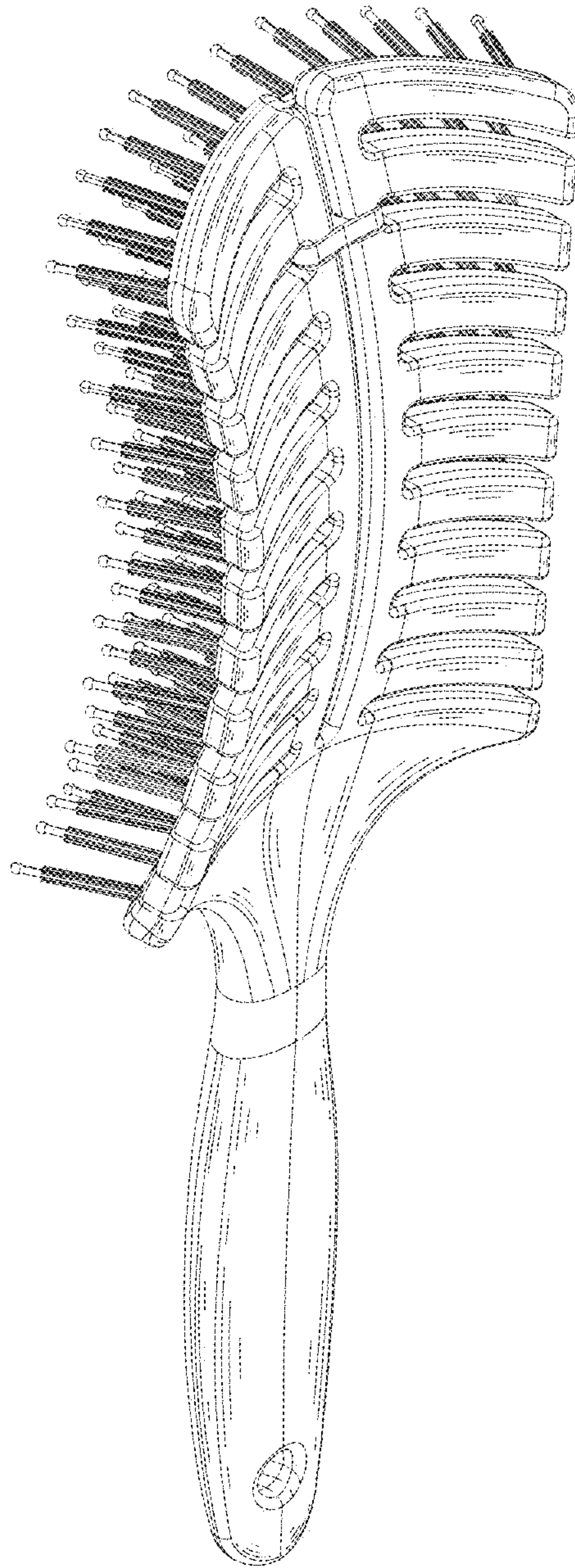


FIG. 2

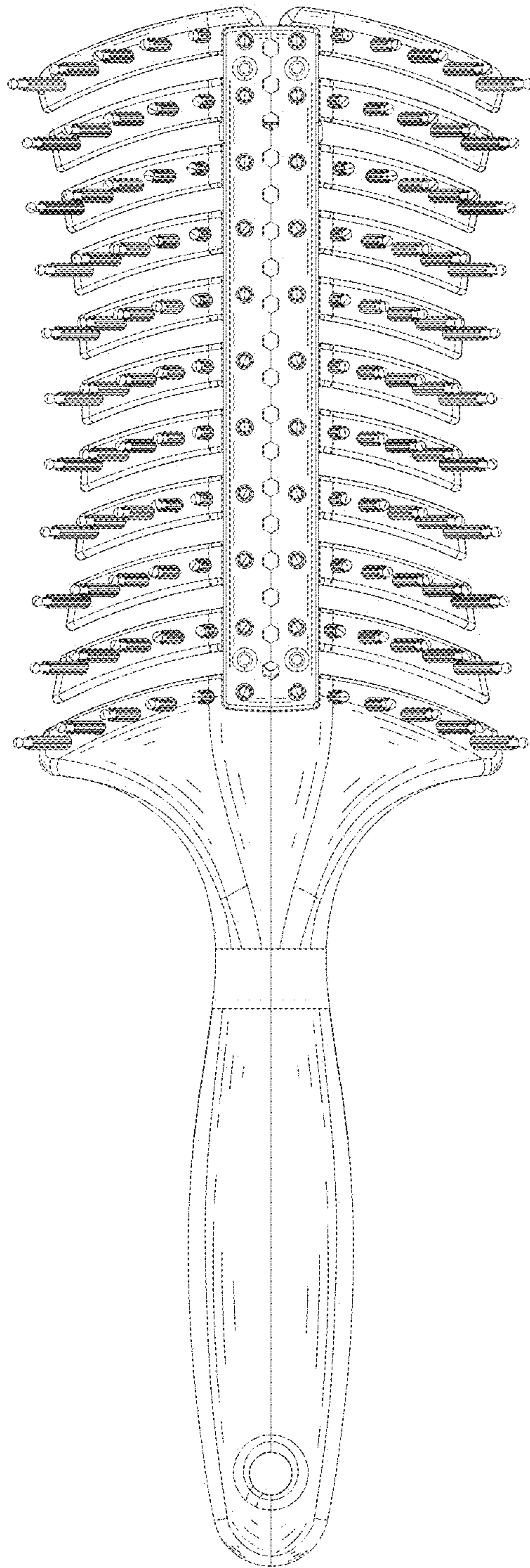


FIG.3

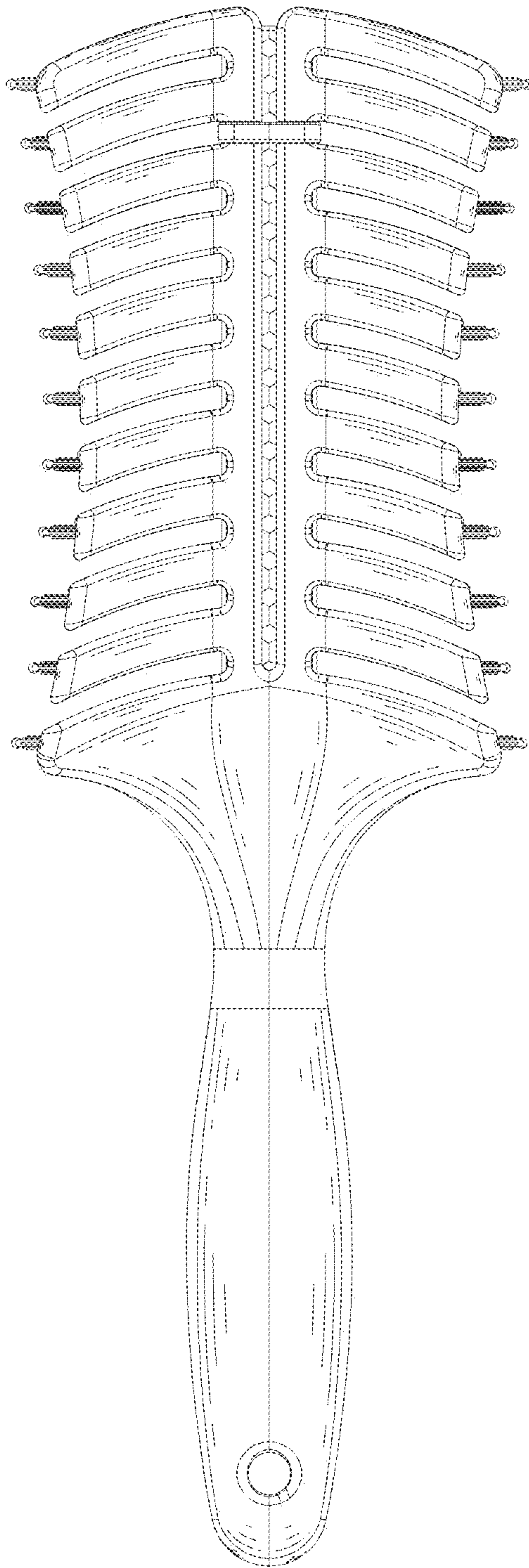


FIG. 4

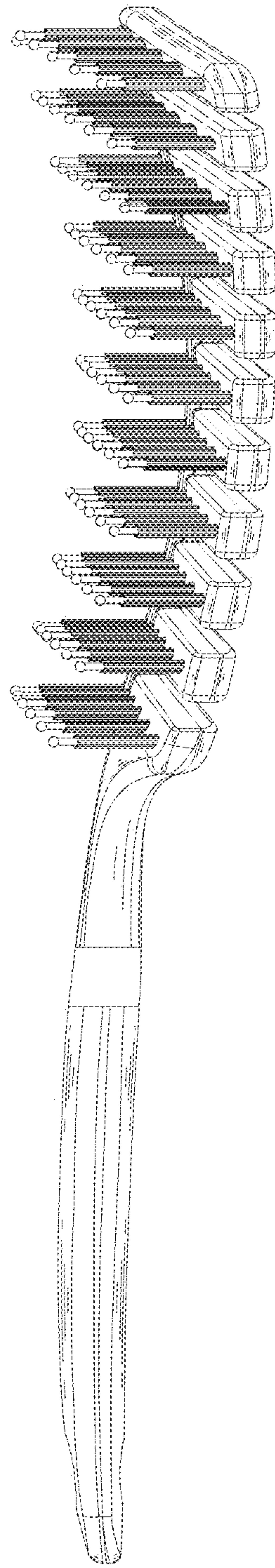


FIG.5

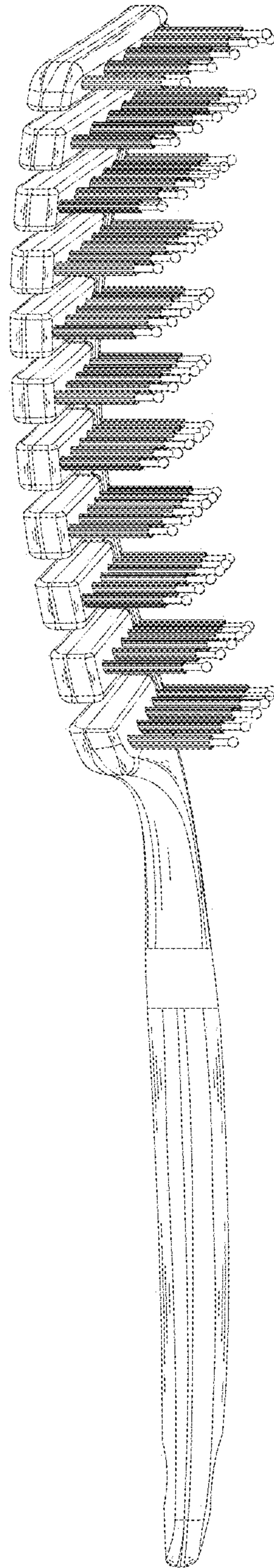


FIG.6

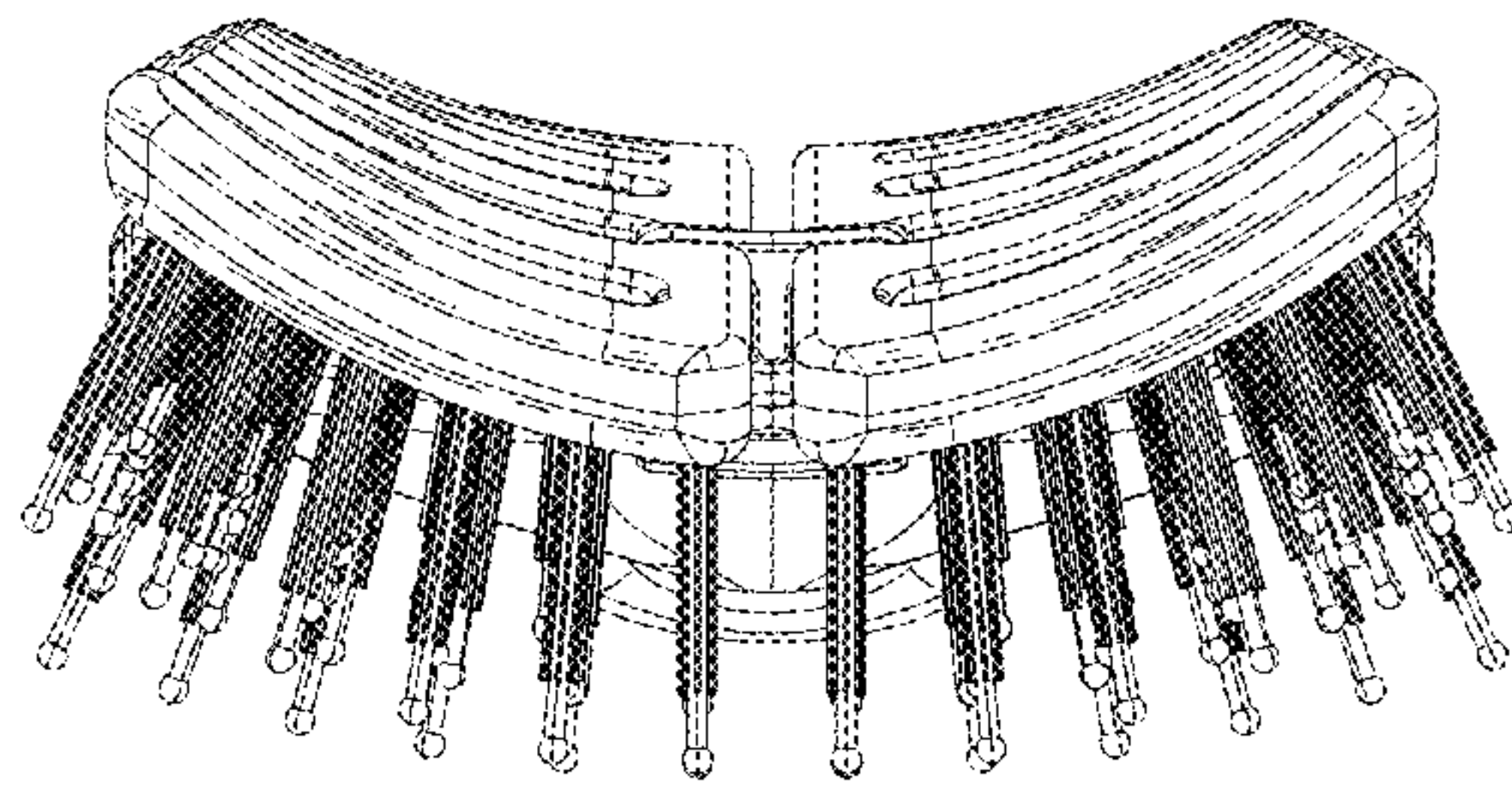


FIG. 7

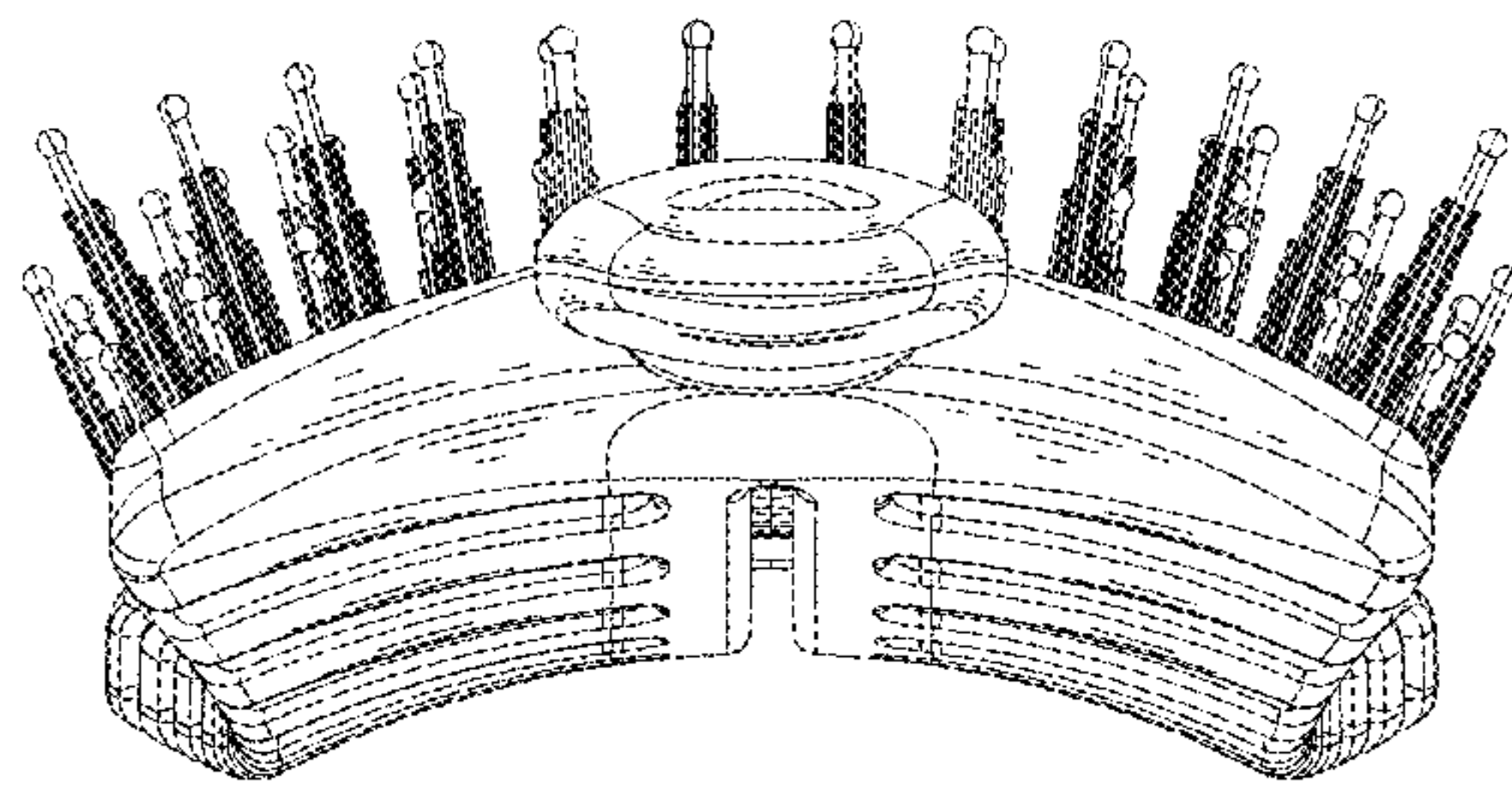


FIG.8