



US00D948875S

(12) **United States Design Patent**
Brosmith

(10) **Patent No.:** **US D948,875 S**

(45) **Date of Patent:** **** Apr. 19, 2022**

(54) **HAIRBRUSH**

(71) Applicant: **Maesa LLC**, New York, NY (US)

(72) Inventor: **Sean Brosmith**, Beverly Hills, CA (US)

(73) Assignee: **Maesa LLC**, New York, NY (US)

(**) Term: **15 Years**

(21) Appl. No.: **29/744,031**

(22) Filed: **Jul. 27, 2020**

(51) **LOC (13) Cl.** **04-99**

(52) **U.S. Cl.**
USPC **D4/134**

(58) **Field of Classification Search**

USPC D4/117-132; D30/158, 159
CPC A46B 5/00; A46B 5/02; A46B 5/04; A46B
9/00; A46B 9/02; A46B 9/025; A45D
24/00; A45D 24/10

See application file for complete search history.

(56) **References Cited**

U.S. PATENT DOCUMENTS

D249,909 S	10/1978	Epstein	
D721,506 S	1/2015	Schuler	
D739,660 S	9/2015	Rennette	
D750,896 S	3/2016	Park	
D764,808 S	8/2016	Rosenzweig	
D783,292 S *	4/2017	Chang	D4/128
D784,705 S	4/2017	York	
D815,839 S	4/2018	Rosenzweig	
D828,040 S	9/2018	Rosenzweig	
D834,332 S	11/2018	Chen	
D840,696 S	2/2019	Chen	

D841,339 S	2/2019	Rosenzweig
D863,782 S	10/2019	Sze
D893,888 S	8/2020	Sze
D895,299 S	9/2020	Sun
D899,097 S	10/2020	Monson
D900,841 S	11/2020	Yan
D903,333 S	12/2020	Choi
D909,067 S	2/2021	Robbins

OTHER PUBLICATIONS

Wet Brush, announced Jul. 2019 [online], [site visited Oct. 12, 2021]. Available from internet, URL: https://www.amazon.com/Wet-Brush-Flex-Paddle-Pink/dp/B07BLQ7XN6/ref=sr_1_71?dchild=1&keywords=curved+vented+brush&qid=1634052444&sr=8-71 (Year: 2019).*

* cited by examiner

Primary Examiner — George A Bugg

Assistant Examiner — Tamara L Hahn

(74) *Attorney, Agent, or Firm* — Dorf & Nelson LLP;
Scott D. Locke, Esq.

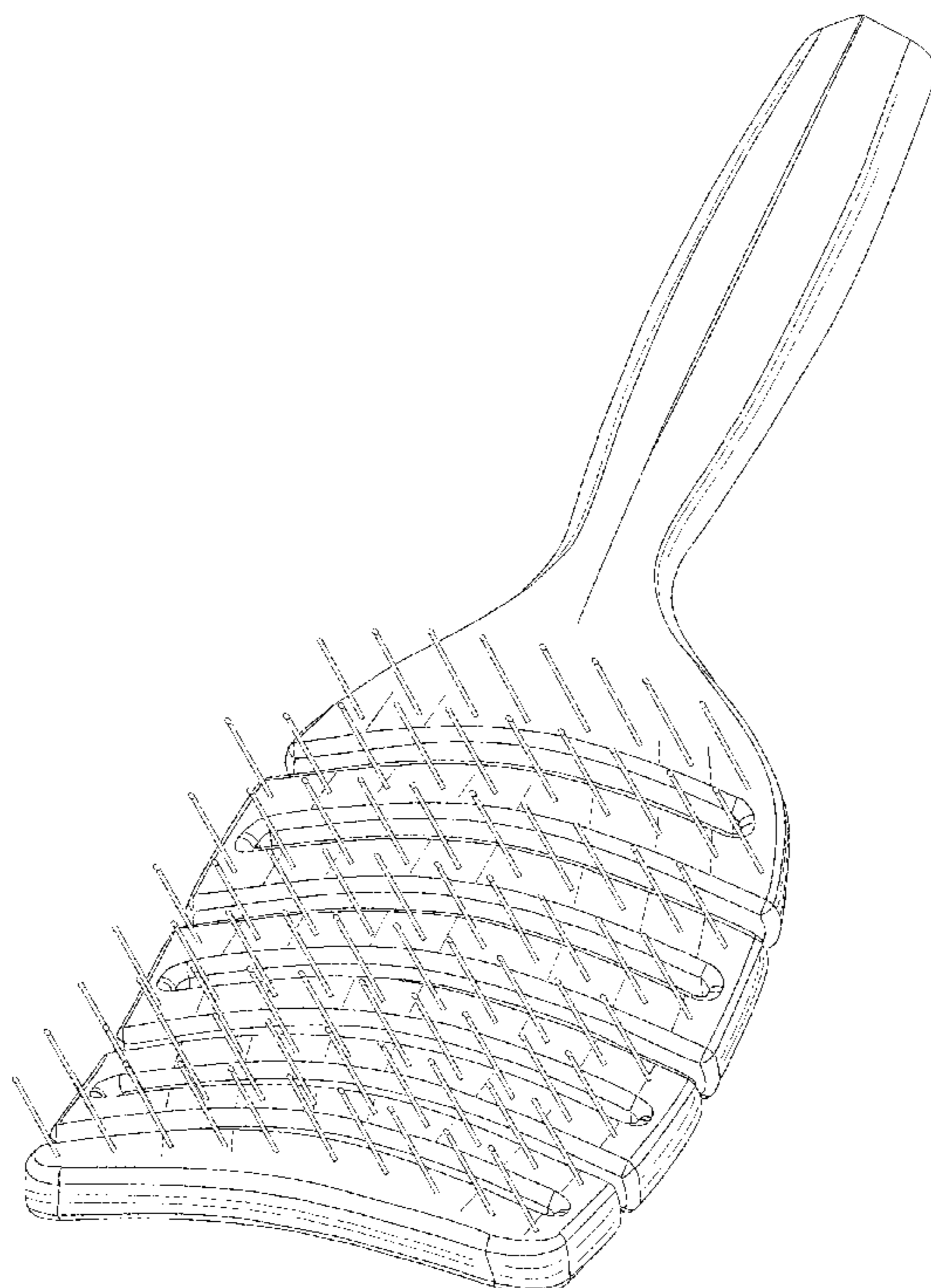
(57) **CLAIM**

I claim the ornamental design for a hairbrush, as shown and described.

DESCRIPTION

FIG. 1 is an enlarged perspective view of a hairbrush. FIG. 2 is a front view of the hairbrush of FIG. 1. FIG. 3 is a rear view of the hairbrush of FIG. 1. FIG. 4 is a left side view of the hairbrush of FIG. 1. FIG. 5 is a right side view of the hairbrush of FIG. 1. FIG. 6 is a top view of the hairbrush of FIG. 1; and, FIG. 7 is a bottom view of the hairbrush of FIG. 1.

1 Claim, 6 Drawing Sheets



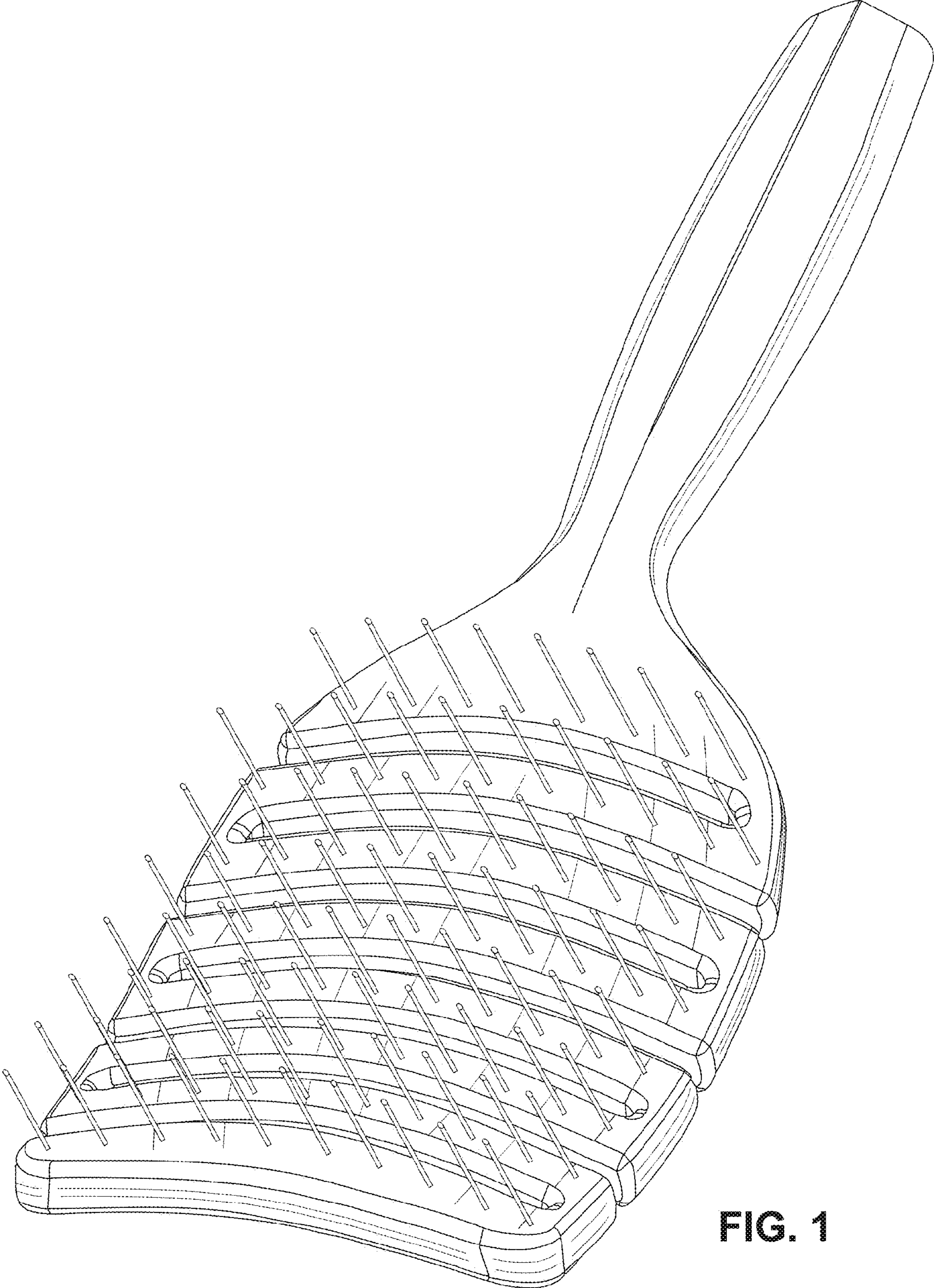


FIG. 1

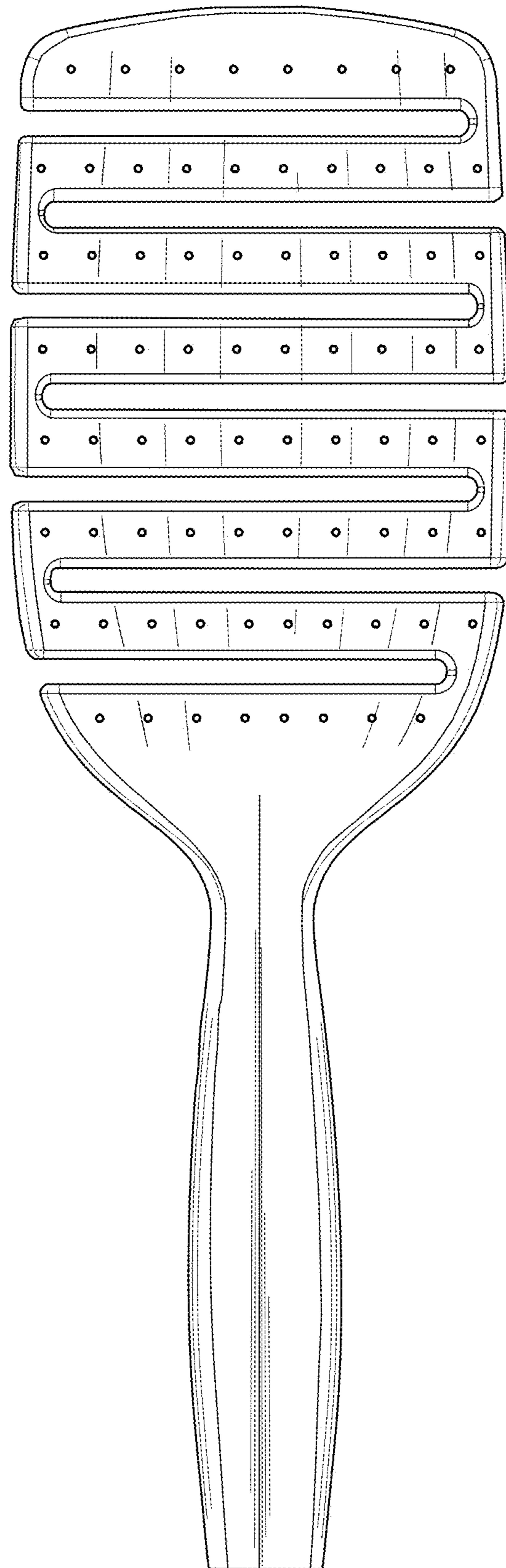


FIG. 2

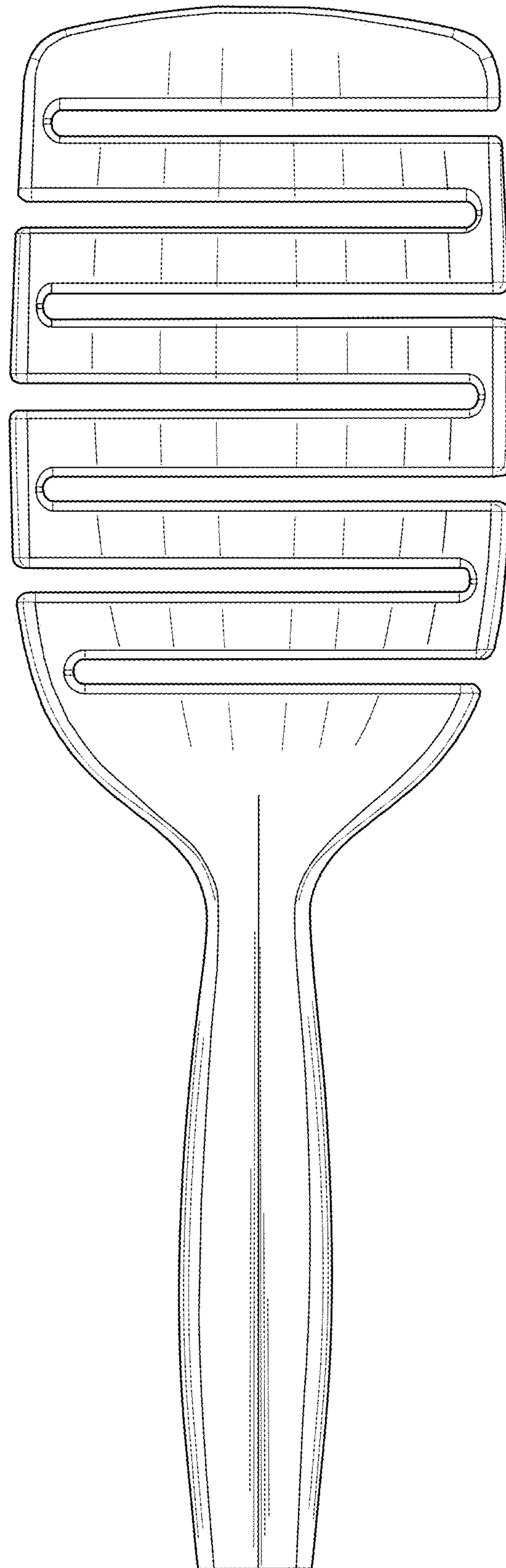


FIG. 3

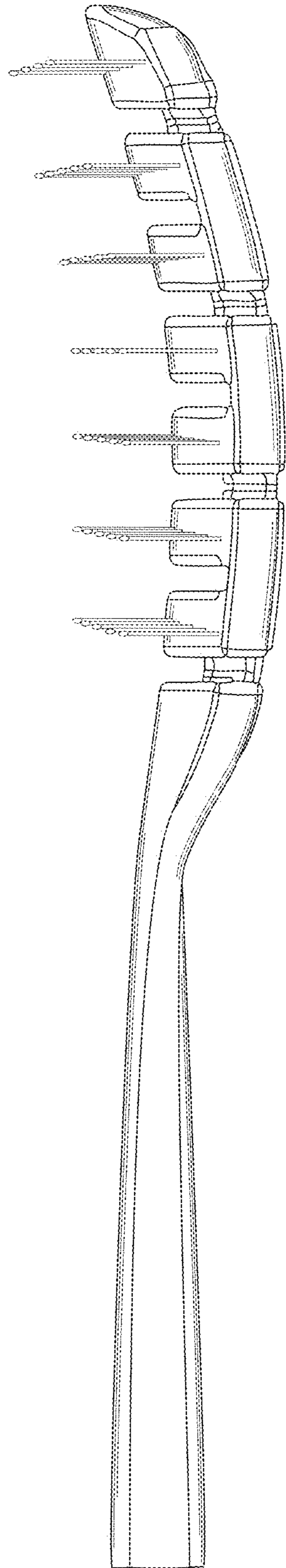


FIG. 4

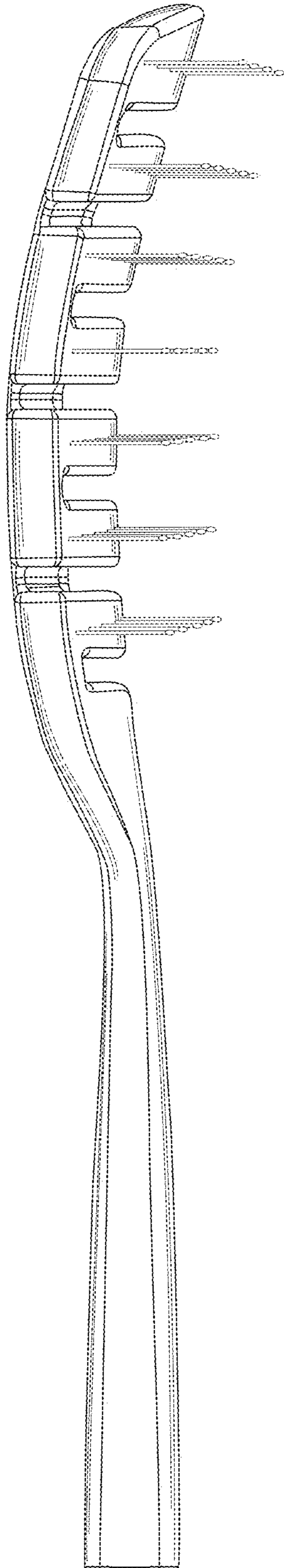


FIG. 5

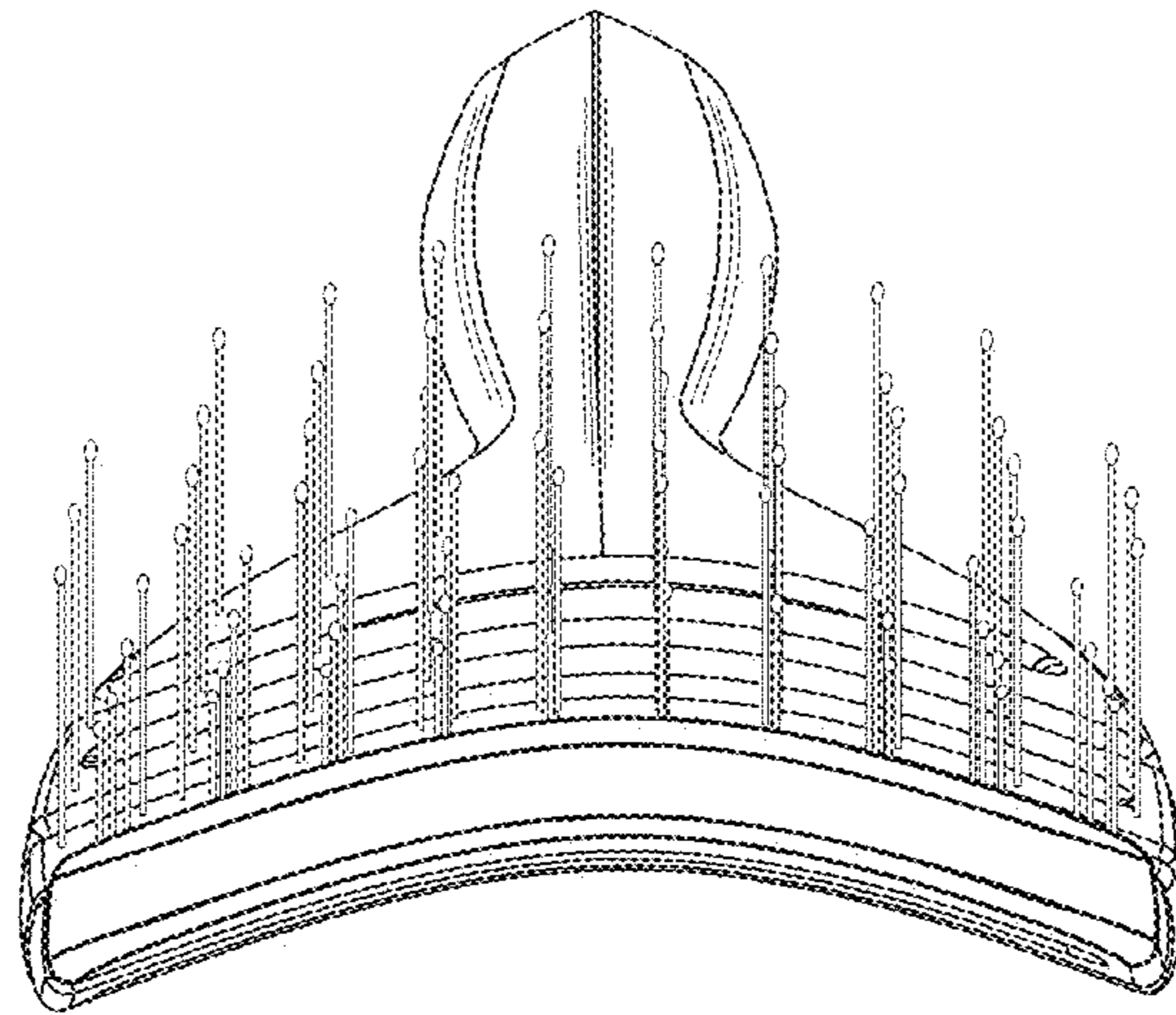


FIG. 6

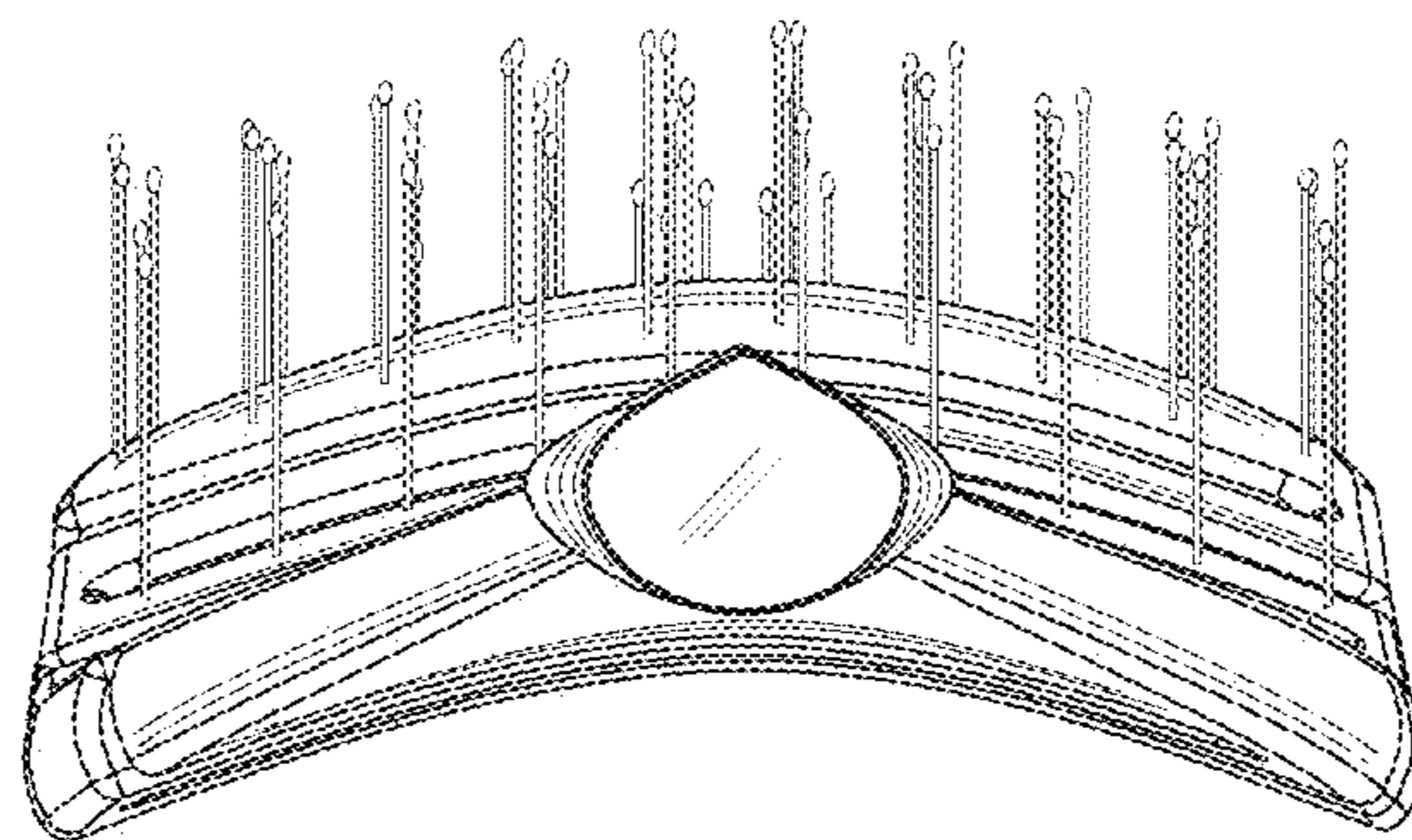


FIG. 7