



US00D948873S

(12) **United States Design Patent**
Odum

(10) **Patent No.:** **US D948,873 S**

(45) **Date of Patent:** **** Apr. 19, 2022**

(54) **COMBINATION EDGE BRUSH**

(71) Applicant: **Firstline, Incorporated**, Stafford, TX
(US)

(72) Inventor: **Joni Allyn Odum**, Collegetown, PA
(US)

(73) Assignee: **Firstline, Incorporated**, Stafford, TX
(US)

(**) Term: **15 Years**

(21) Appl. No.: **29/741,080**

(22) Filed: **Jul. 9, 2020**

Related U.S. Application Data

(63) Continuation of application No. 29/709,968, filed on
Oct. 18, 2019, now Pat. No. Des. 892,507, which is a
(Continued)

(51) **LOC (13) Cl.** **04-99**

(52) **U.S. Cl.**
USPC **D4/117**

(58) **Field of Classification Search**
USPC D4/104–106, 108, 110, 112, 116–118,
D4/127, 128, 130, 132, 134; D28/7, 10,
D28/21, 25, 30

CPC .. A46B 3/005; A46B 5/00; A46B 5/02; A46B
5/021; A46B 9/02; A46B 9/021; A46B
9/023; A46B 13/001; A46B 13/008; A46B
15/0055; A46B 15/0081; A46B 15/0087;
A46B 17/02; A46B 2200/30; A46B
2200/104; A46B 2200/106; A46B
2200/202; A46B 2200/205; A46B
2200/207; A46B 2200/304; A46B
2200/1006; A46B 2200/1046; A46B
2200/1053; A46B 2200/3006; A46B

(Continued)

(56) **References Cited**

U.S. PATENT DOCUMENTS

D123,430 S 11/1940 Hertzberg
2,272,151 A 2/1942 Hertzberg
(Continued)

OTHER PUBLICATIONS

Camryn's BFF Gentle Edges Brush 818 Pink; retrieved from
www.firstlinebrands.com on Jul. 6, 2018 (2 pages).

(Continued)

Primary Examiner — Calvin E Vansant

(74) *Attorney, Agent, or Firm* — Shannon Bates; Harper
& Bates LLP

(57) **CLAIM**

The ornamental design for a combination edge brush, as
shown and described.

DESCRIPTION

FIG. 1 is a front perspective view of the combination edge
brush of the present invention;

FIG. 2 is a front view of the combination edge brush of the
present invention;

FIG. 3 is a rear view of the combination edge brush of the
present invention;

FIG. 4 is a right side view of the combination edge brush of
the present invention;

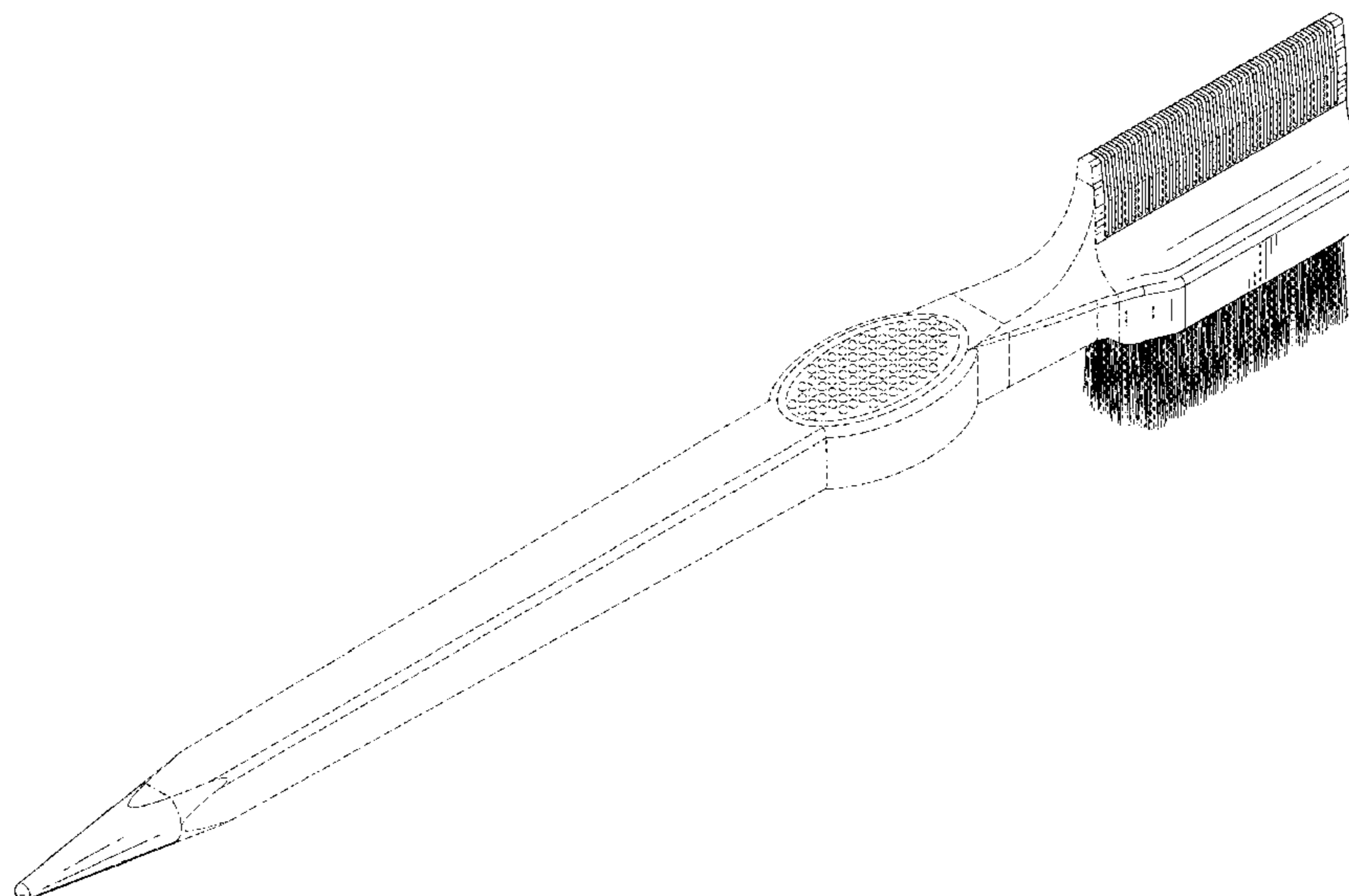
FIG. 5 is a left side view of the combination edge brush of
the present invention;

FIG. 6 is a top view of the combination edge brush of the
present invention; and,

FIG. 7 is a bottom view of the combination edge brush of the
present invention.

The broken lines in the drawings depict features that form no
part of the claimed design. The dash-dot lines in the draw-
ings indicate the boundary between the claimed design and
the features that form no part of the claimed design.

1 Claim, 4 Drawing Sheets



Related U.S. Application Data

continuation of application No. 29/656,467, filed on Jul. 12, 2018, now Pat. No. Des. 866,984.

(58) **Field of Classification Search**

CPC ... 2200/3033; A46B 2200/3093; A45D 24/10;
A45D 24/14; A45D 24/16; H01L
21/67046

See application file for complete search history.

(56) **References Cited**

U.S. PATENT DOCUMENTS

D159,106	S	6/1950	Stamp	
2,602,457	A	7/1952	Mele	
D358,646	S	5/1995	Weber	
D490,185	S	5/2004	Hegner et al.	
D654,271	S	2/2012	Hayes	
D742,650	S	11/2015	Albers	
D744,758	S	12/2015	Albers	
D813,553	S	3/2018	Ford	
D839,602	S	2/2019	Taylor et al.	
D866,984	S	* 11/2019	Odum	D4/117
D892,507	S	* 8/2020	Odum	D4/117

OTHER PUBLICATIONS

Evolve "The Perfect Edge" Brush 573 Bamboo; retrieved from www.firstlinebrands.com on Jul. 6, 2018 (4 pages).

Baby Tress "Edge Styler"; retrieved from <http://babytress.com/products/edge-styler> on Jun. 13, 2019 (2 pages).

* cited by examiner

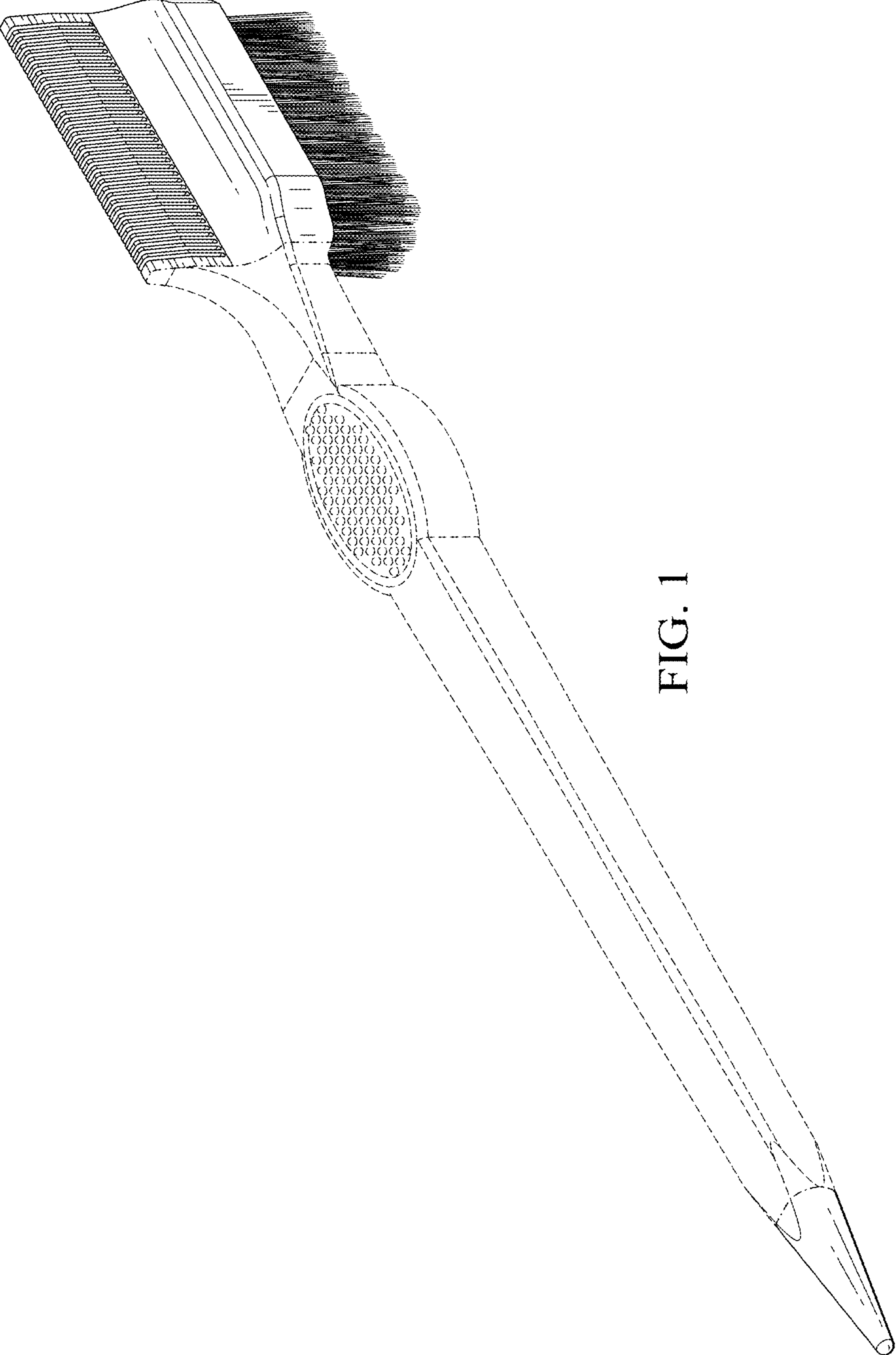


FIG. 1

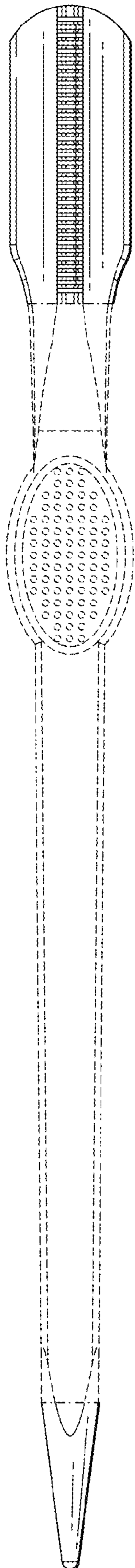


FIG. 2

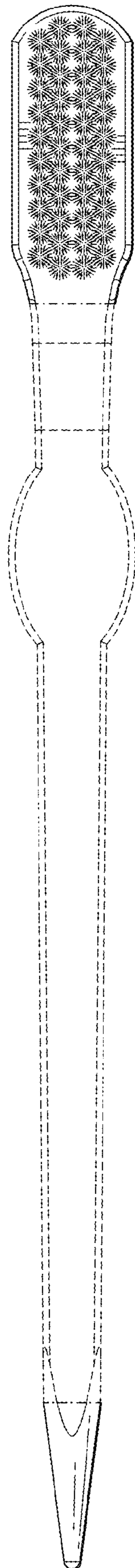


FIG. 3

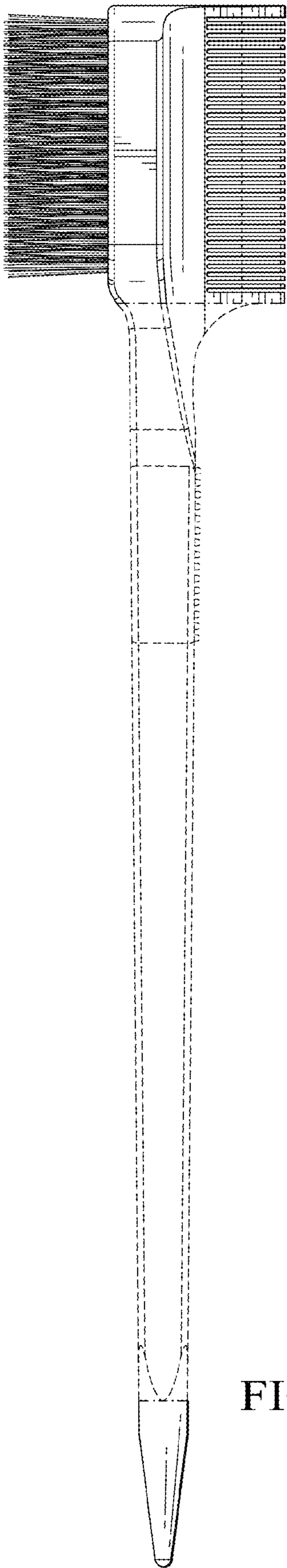


FIG. 4

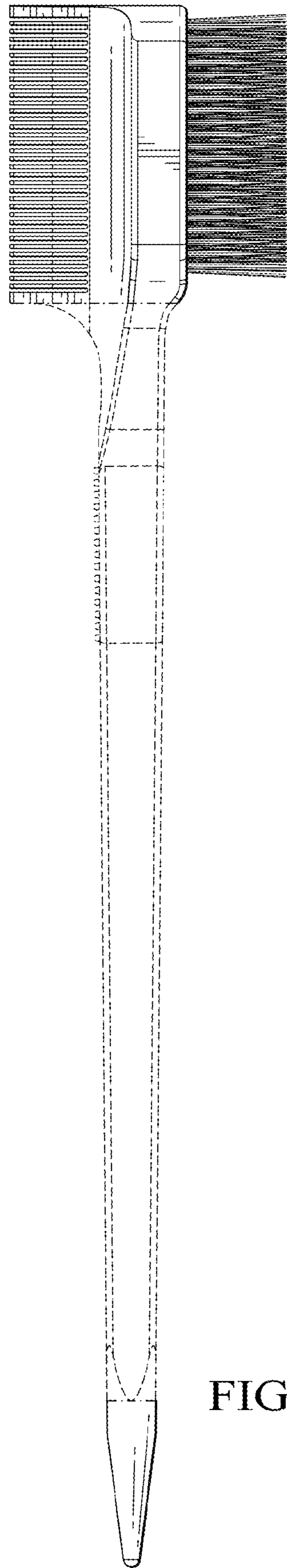


FIG. 5

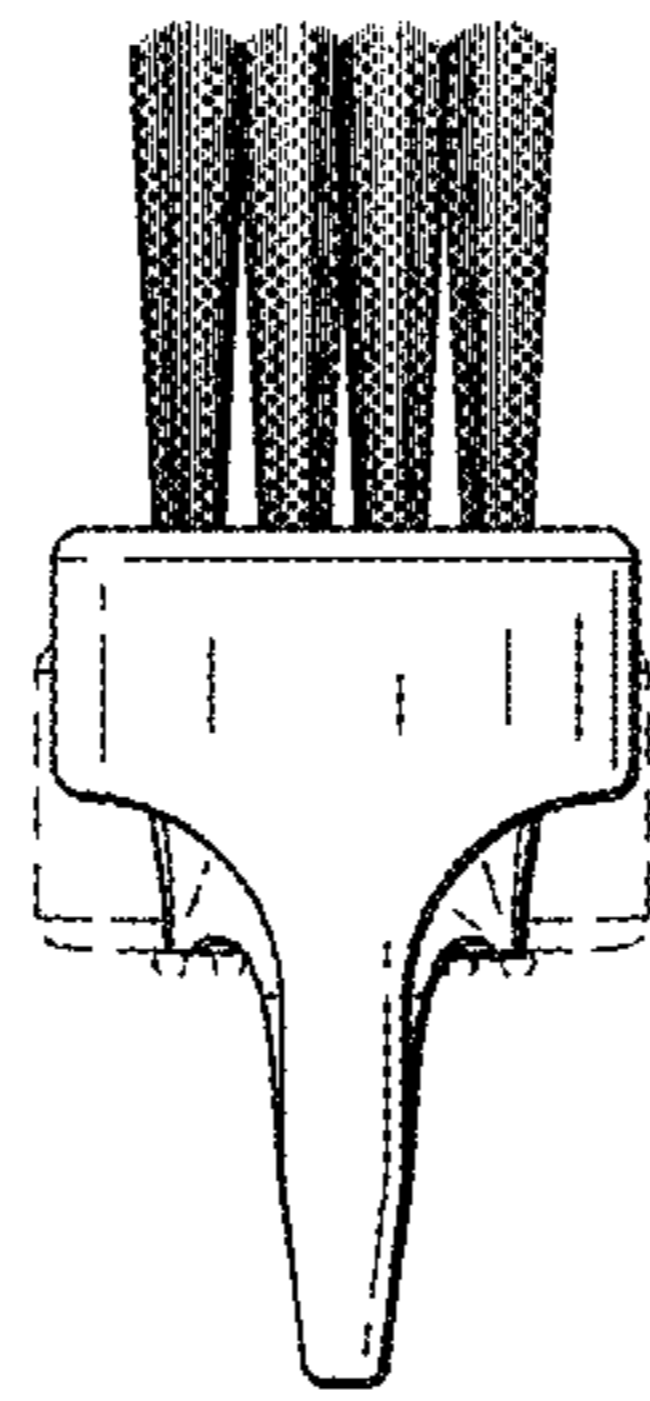


FIG. 6

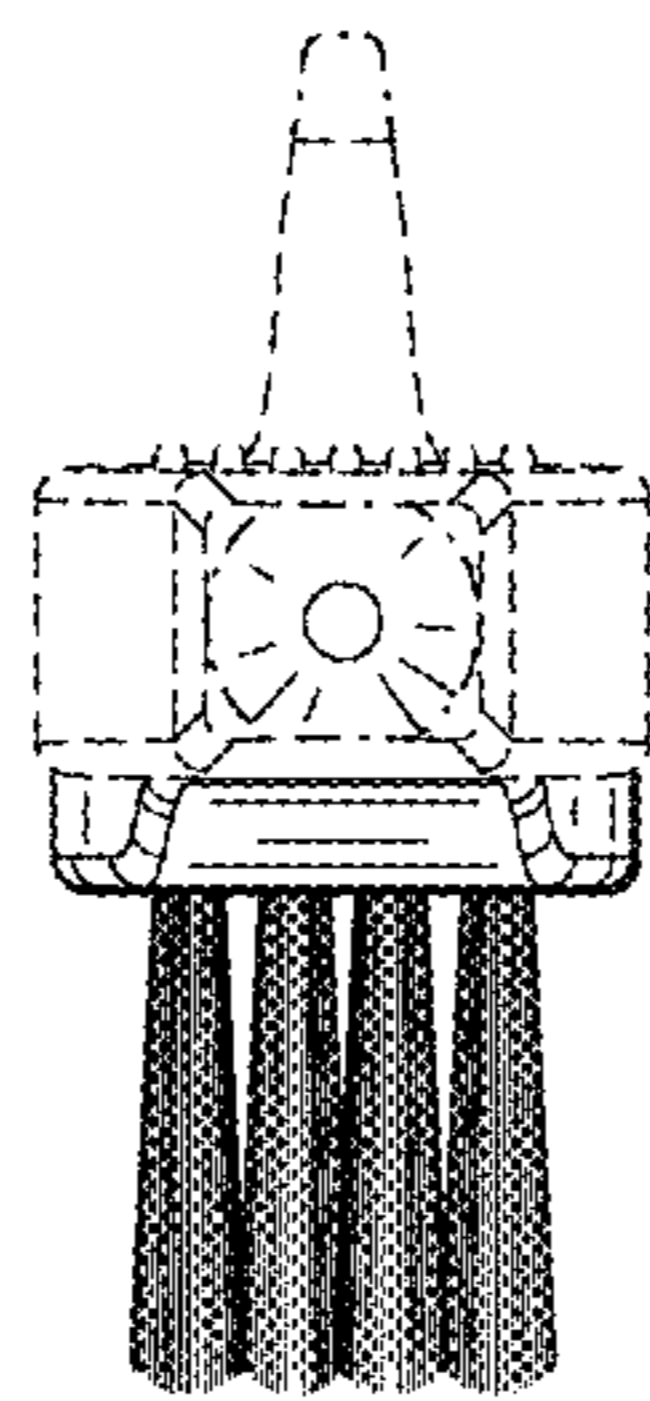


FIG. 7