



US00D948871S

(12) **United States Design Patent** (10) **Patent No.:** **US D948,871 S**  
**Azpurua Baez** (45) **Date of Patent:** **\*\* Apr. 19, 2022**

(54) **HANDLE**

4,556,245 A 12/1985 Gruenwald  
D289,698 S \* 5/1987 Bates ..... D30/142  
D299,790 S 2/1989 Paul

(Continued)

(71) Applicant: **Ana Teresa Azpurua Baez**, Miami, FL  
(US)

(72) Inventor: **Ana Teresa Azpurua Baez**, Miami, FL  
(US)

(\*\*) Term: **15 Years**

(21) Appl. No.: **29/750,845**

(22) Filed: **Sep. 16, 2020**

(51) **LOC (13) Cl.** ..... **03-01**

(52) **U.S. Cl.**  
USPC ..... **D3/327; D8/300**

(58) **Field of Classification Search**  
USPC ..... D3/219, 254, 262, 315, 318-319,  
D3/327-328, 905; D21/662; D30/136,  
D30/137, 139, 141; D8/107, 300  
CPC ..... A45F 3/14; A45F 2003/142; A45F  
2005/1013; A45F 5/10; A45F 2200/0566;  
A45C 13/30; A45C 2013/306  
See application file for complete search history.

(56) **References Cited**

**U.S. PATENT DOCUMENTS**

85,129 A 12/1868 Porter  
123,525 A 2/1872 Topham  
154,283 A \* 8/1874 Roemer ..... A45F 5/10  
294/154  
164,994 A \* 6/1875 Harrell ..... A45F 5/10  
294/154  
187,716 A \* 2/1877 Kirk ..... A45F 5/10  
294/154  
1,167,623 A 1/1916 George  
1,187,496 A 6/1916 George  
2,978,154 A 4/1961 Kailey  
3,554,417 A \* 1/1971 Yorty ..... A47G 25/1457  
294/149  
3,579,675 A 5/1971 Scheer

**OTHER PUBLICATIONS**

“LoveinDIY 2X H Shape Heavyduty Travel Rug Carrier Blanket Carry Strap Holder W/ Handle”, first available Aug. 16, 2019, amazon.com, site visited Aug. 5, 2021: [https://www.amazon.com/LoveinDIY-Heavyduty-Travel-Carrier-Blanket/dp/B07W5CL8WK/ref=pb\\_allspark\\_dp\\_sims\\_pao\\_desktop\\_session\\_based\\_](https://www.amazon.com/LoveinDIY-Heavyduty-Travel-Carrier-Blanket/dp/B07W5CL8WK/ref=pb_allspark_dp_sims_pao_desktop_session_based_) (Year: 2019).\*

(Continued)

*Primary Examiner* — Jennifer L Watkins  
*Assistant Examiner* — Samantha Lynne Brodowski  
(74) *Attorney, Agent, or Firm* — Quickpatents, LLC;  
Kevin Prince

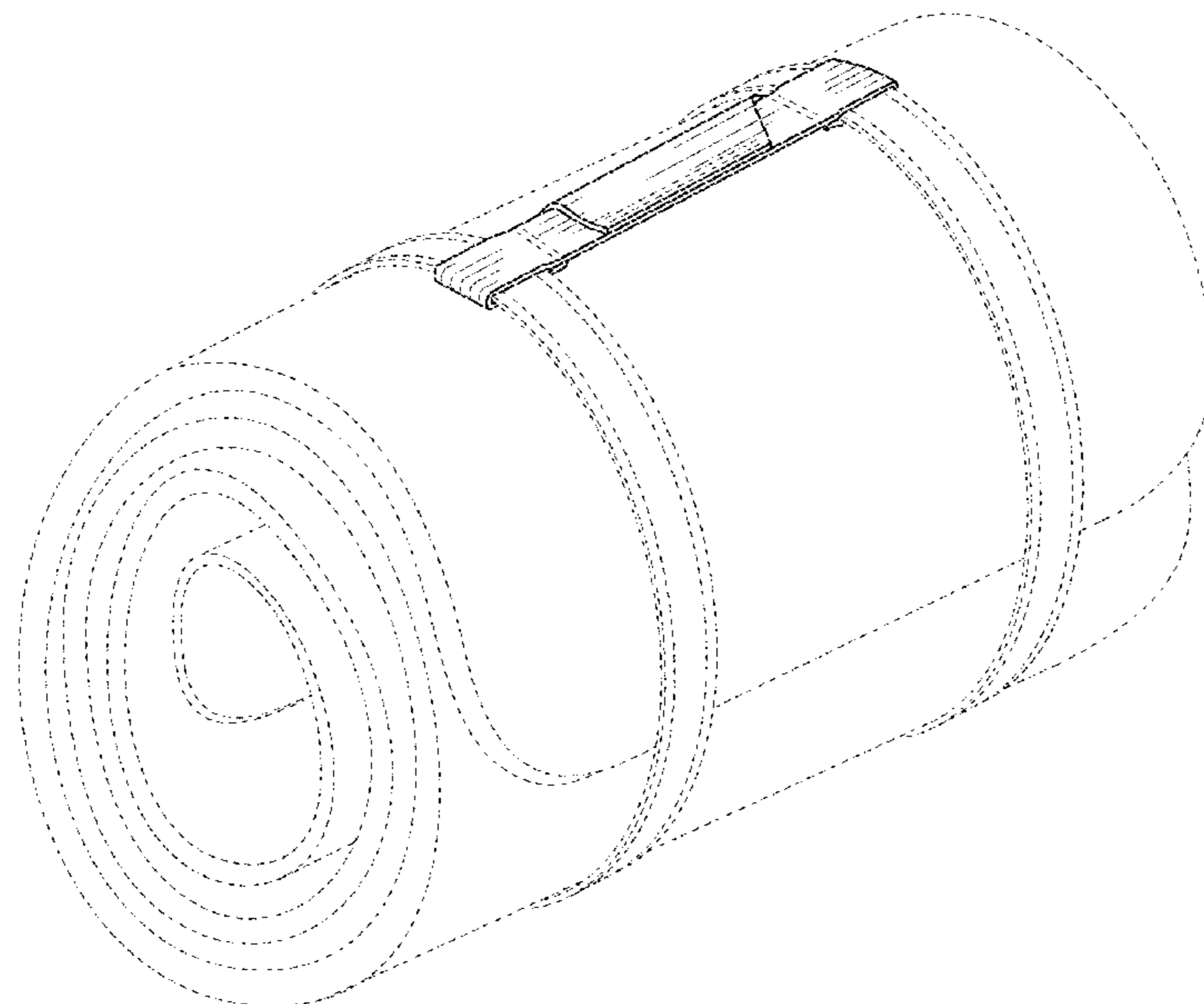
(57) **CLAIM**

The ornamental design for a handle, as shown and described.

**DESCRIPTION**

FIG. 1 is a perspective view of a handle, illustrated in a secured configuration;  
FIG. 2 is another perspective view of the handle shown in FIG. 1, illustrated in a flat configuration;  
FIG. 3 is a front elevational view thereof;  
FIG. 4 is a rear elevational view thereof;  
FIG. 5 is a left side elevational view thereof, the right side elevational view being a mirror image thereof;  
FIG. 6 is a top plan view thereof; and,  
FIG. 7 is a bottom plan view thereof.  
The broken lines showing an article to which the handle is secured in FIG. 1 depict environment and form no part of the claimed design. The broken lines depicting straps depict portions of the handle and form no part of the claimed design. The remaining broken lines on claimed surfaces depict stitching and are a part of the claimed design.

**1 Claim, 5 Drawing Sheets**



(56)

References Cited

U.S. PATENT DOCUMENTS

4,804,218 A 2/1989 Hilliard  
 D343,510 S 1/1994 Langlois  
 5,558,382 A \* 9/1996 Wengler ..... A45C 13/38  
 294/157  
 D390,704 S \* 2/1998 Bloch ..... D3/327  
 5,788,132 A \* 8/1998 Kuruc, Jr. .... A45C 13/30  
 224/250  
 D403,162 S 12/1998 Williams  
 D415,351 S 10/1999 Wang  
 D423,783 S 5/2000 Steurer  
 D437,901 S \* 2/2001 Forman ..... D21/662  
 D471,006 S \* 3/2003 French ..... D3/221  
 D499,015 S 11/2004 Schwartz  
 D514,422 S \* 2/2006 Lai ..... D8/300  
 D529,286 S 10/2006 Limber  
 D547,160 S \* 7/2007 Hand ..... D8/300  
 D548,955 S 8/2007 Ramsell  
 D562,104 S \* 2/2008 Griffis ..... D8/300  
 D563,099 S 3/2008 Sandman  
 D564,761 S 3/2008 McGlenn  
 D587,455 S 3/2009 Goss  
 D631,630 S \* 1/2011 Berti ..... D32/53  
 7,976,088 B1 7/2011 Diciolla  
 D650,586 S 12/2011 Hutcheson  
 D664,612 S \* 7/2012 Pinskiy ..... D21/662  
 D672,414 S 12/2012 Januszek  
 D686,737 S \* 7/2013 Nasir ..... D24/190  
 D689,284 S 9/2013 Weitzel  
 8,616,600 B2 12/2013 Owen  
 D697,218 S \* 1/2014 Nasir ..... D24/190  
 D704,937 S 5/2014 Cutler  
 9,107,489 B1 \* 8/2015 Wisniewski ..... A45F 5/10  
 D743,628 S 11/2015 Millington  
 D745,791 S 12/2015 Corley  
 D767,388 S 9/2016 Slovis  
 D775,508 S \* 1/2017 Bongiovanni ..... D8/107

D789,093 S 6/2017 Kinskey  
 D801,044 S \* 10/2017 Griffin ..... D3/254  
 D808,176 S 1/2018 Reid  
 10,039,368 B2 \* 8/2018 Christman ..... A45F 3/14  
 D833,141 S 11/2018 Carter  
 D840,153 S 2/2019 Persellin  
 D859,842 S 9/2019 Frank  
 D862,005 S \* 10/2019 Gabriele ..... D30/152  
 D865,366 S 11/2019 Zhong  
 D868,475 S 12/2019 Zhong  
 D871,072 S 12/2019 Coughlan  
 D874,151 S 2/2020 Roberts  
 D875,851 S 2/2020 Ben  
 D884,342 S \* 5/2020 Savino Ben ..... D3/254  
 D888,978 S \* 6/2020 Daniels ..... D24/206  
 D889,843 S 7/2020 Liu  
 D894,605 S 9/2020 Liu  
 D912,403 S \* 3/2021 Makris ..... D3/327  
 2003/0111856 A1 \* 6/2003 Hewett ..... G11B 20/1816  
 294/150  
 2003/0222110 A1 12/2003 Chou  
 2006/0085949 A1 4/2006 Udy  
 2008/0116239 A1 \* 5/2008 Lu ..... A45F 3/14  
 224/575  
 2008/0283566 A1 \* 11/2008 Chace ..... A45F 5/14  
 224/602  
 2009/0057358 A1 \* 3/2009 Cheesman ..... A45C 13/30  
 224/250  
 2017/0027308 A1 2/2017 Christman

OTHER PUBLICATIONS

4/142-7682184-8506200?pd\_rd\_w=UNI3h&pf\_rd\_p=e896123b-6614-49c5-873e-d532e726c2f0&pf\_rd\_r=N69VDMAZ7E2N4WAW6ZMK&pd\_rd\_r=e7978681-2746-4ea8-9bda-f7472750063d&pd\_rd\_wg=pr2wi&pd\_ (Year: 2019).\*

\* cited by examiner

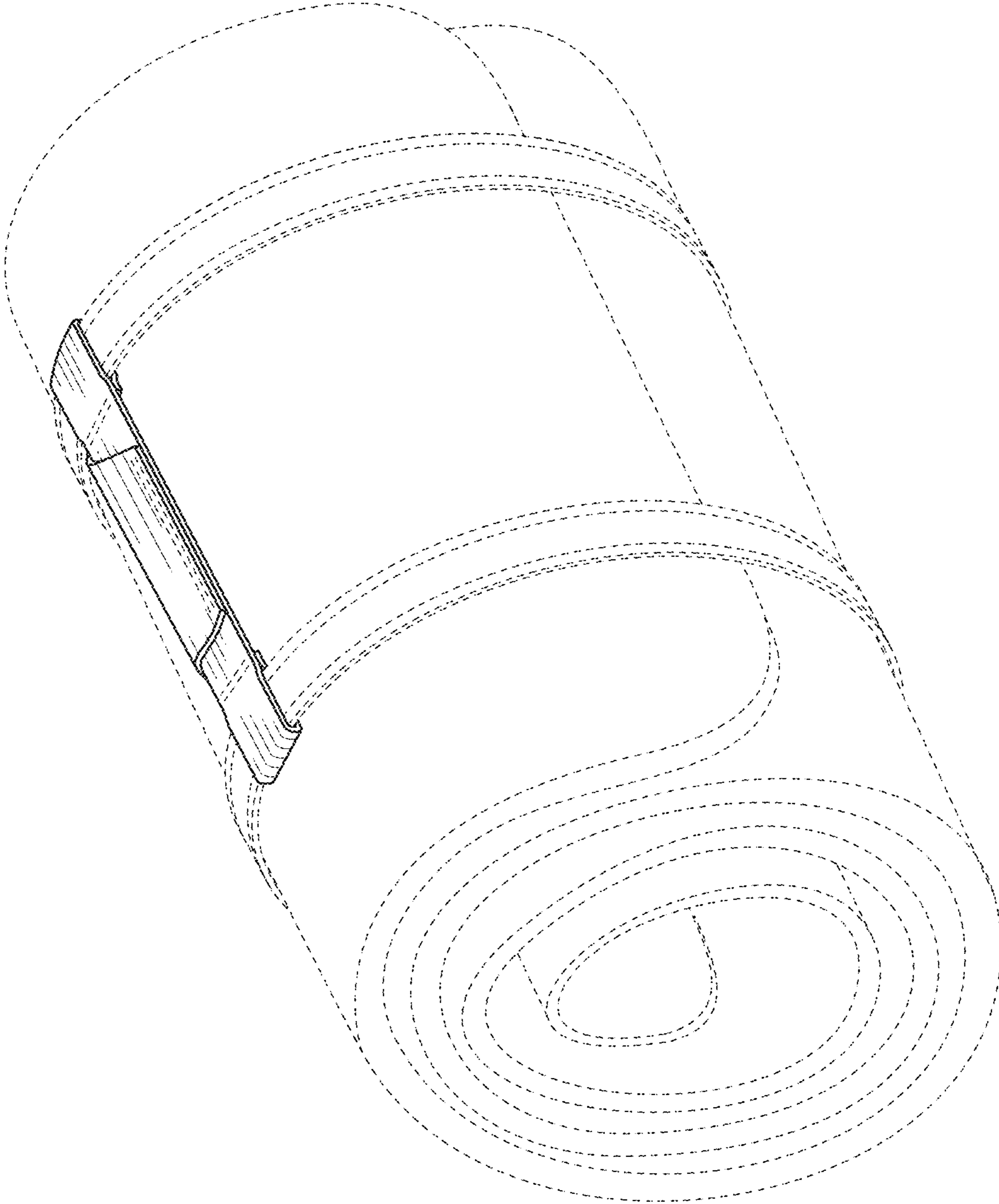


FIG. 1

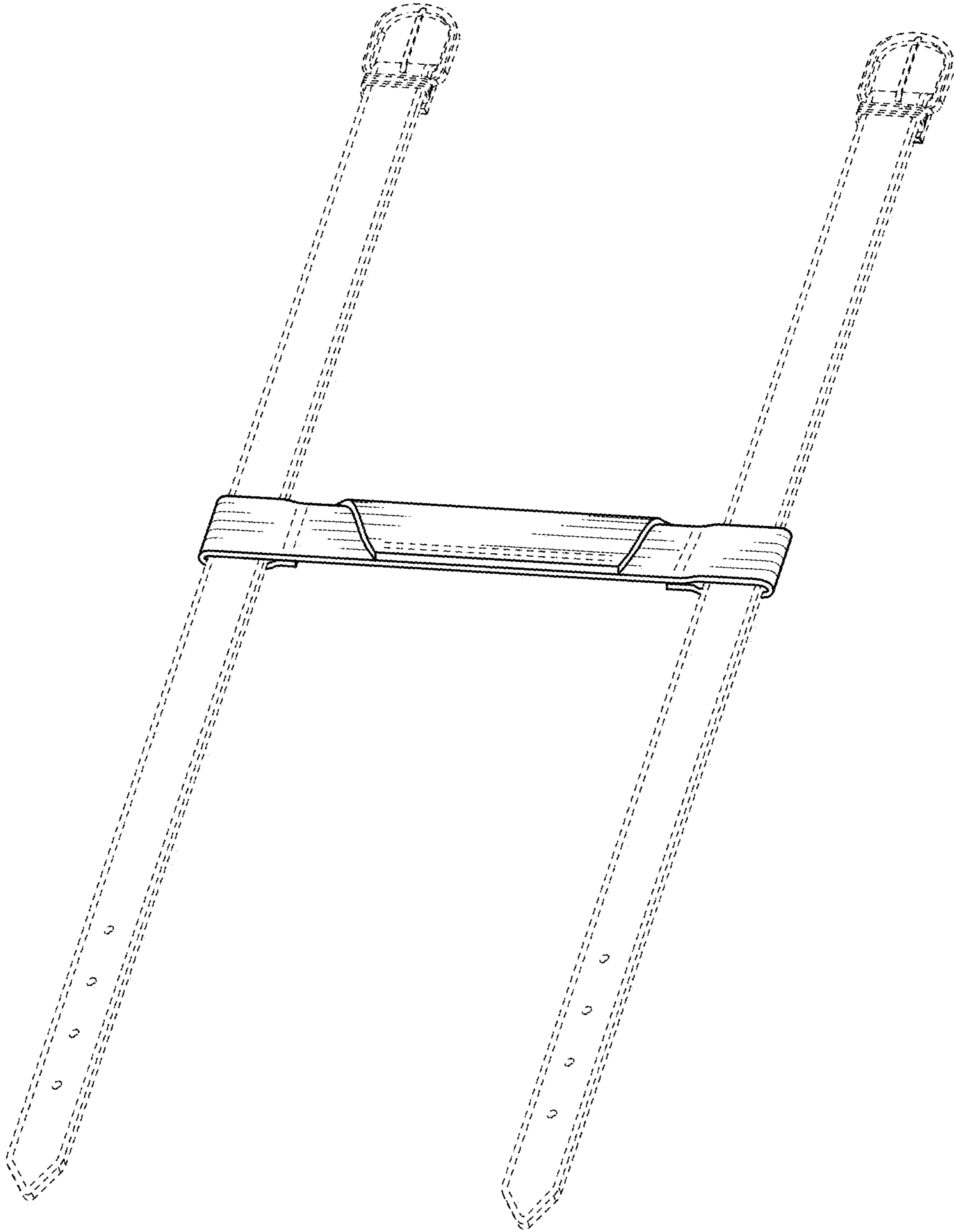


FIG. 2

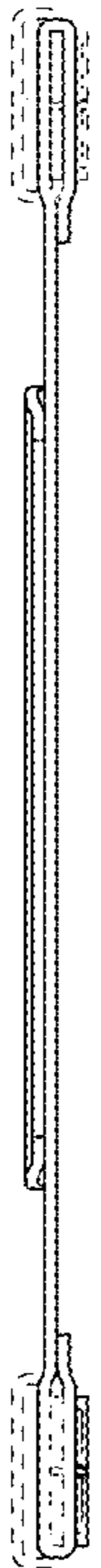


FIG. 3

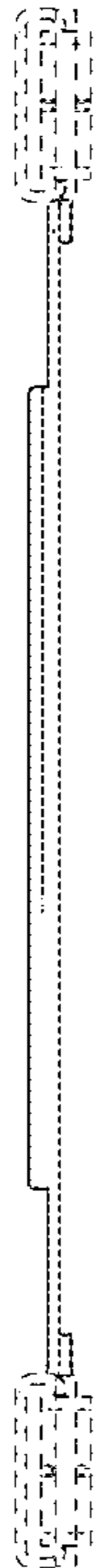


FIG. 4



FIG. 5

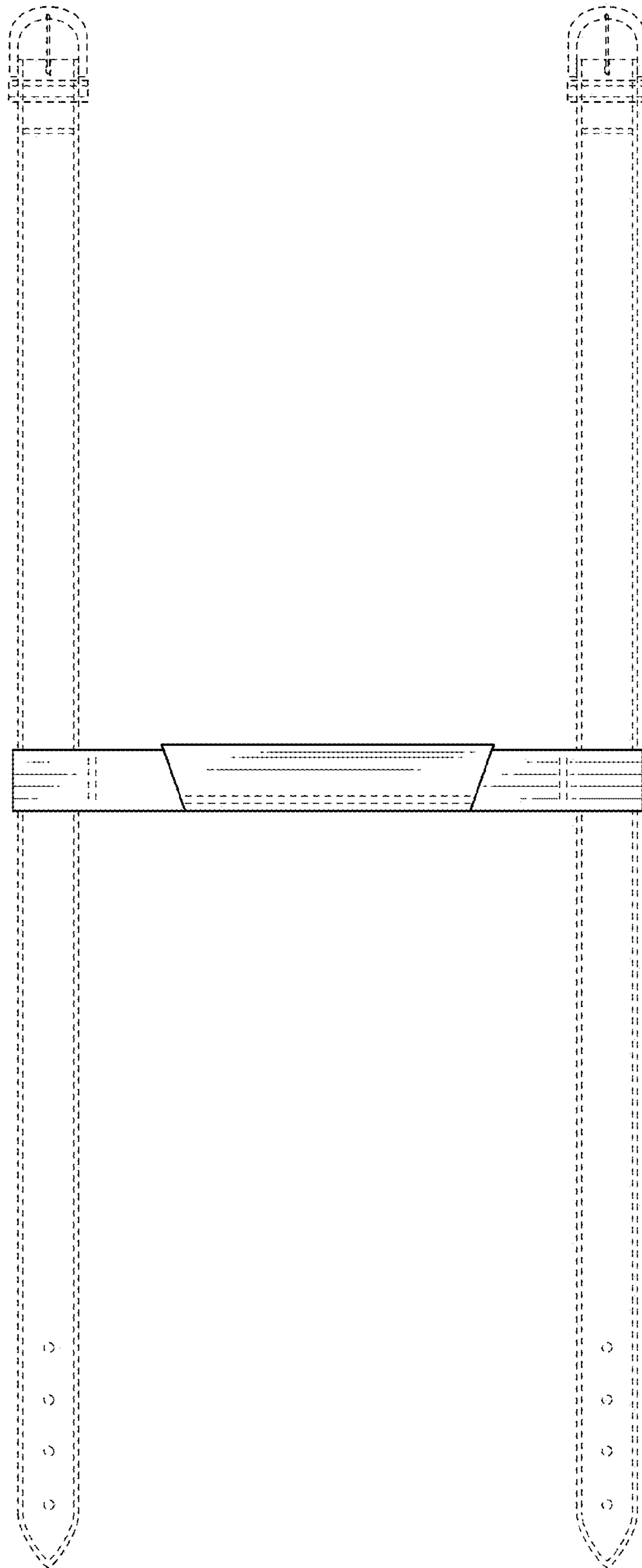


FIG. 6

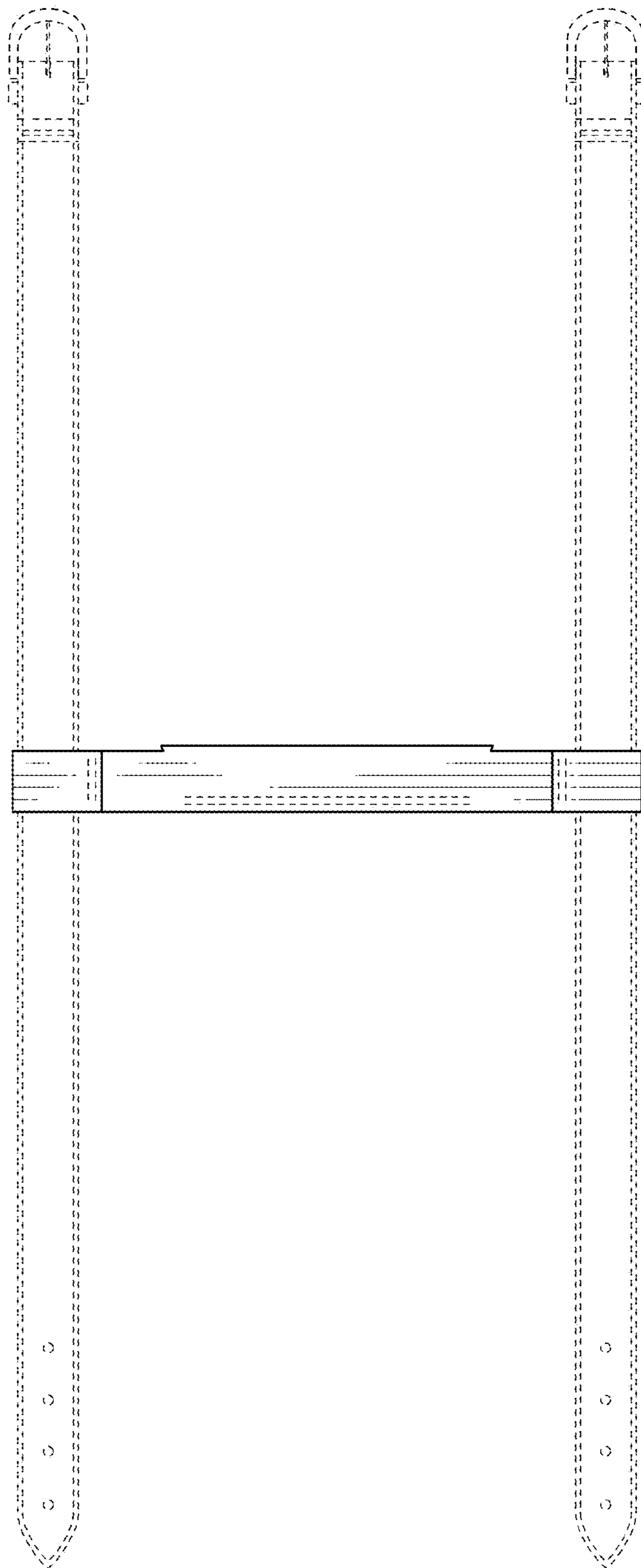


FIG. 7