



US00D948870S

(12) **United States Design Patent** (10) **Patent No.:** **US D948,870 S**  
**Loudenslager et al.** (45) **Date of Patent:** **\*\* Apr. 19, 2022**

(54) **STRAP**  
(71) Applicant: **YETI Coolers, LLC**, Austin, TX (US)  
(72) Inventors: **John Loudenslager**, Austin, TX (US);  
**John W. Dow**, Austin, TX (US); **Derek G. Sullivan**, Austin, TX (US)  
(73) Assignee: **YETI Coolers, LLC**, Austin, TX (US)

D328,186 S 7/1992 Hanke  
5,165,583 A 11/1992 Kouwenberg  
D334,870 S 4/1993 Griffin  
(Continued)

FOREIGN PATENT DOCUMENTS

GB 9008160204-0001 \* 9/2020  
GB 9008160204-0002 \* 9/2020

OTHER PUBLICATIONS

YETI Roadie 24 Cooler, unknown first available date, rei.com [online], [site visited Nov. 29, 2021], Available at URL: https://www.rei.com/product/178599/yeti-roadie-24-cooler (Year: 2021).\*  
(Continued)

*Primary Examiner* — Jeffrey D Asch  
*Assistant Examiner* — Caitlin A Lavery  
(74) *Attorney, Agent, or Firm* — Banner & Witcoff, Ltd.

(\*\*) Term: **15 Years**  
(21) Appl. No.: **29/729,148**  
(22) Filed: **Mar. 24, 2020**  
(51) **LOC (13) Cl.** ..... **03-01**  
(52) **U.S. Cl.**  
USPC ..... **D3/327; D3/318**  
(58) **Field of Classification Search**  
USPC ..... D3/318, 321–324, 327, 232–246;  
D9/434, 443; D11/201; D30/153  
CPC .. A44C 5/18; A44C 5/20; A44C 5/185; A45C  
1/024; A45C 1/10; A45C 3/00; A45C  
3/06; A45C 3/08; A45C 5/00; A45C 5/03;  
A45C 5/04; A45C 5/14; A45C 13/00;  
A45C 13/08; A45C 13/10; A45C 13/26;  
A45C 13/30; A45F 3/02; A45F 3/04;  
A45F 5/00; A45F 5/10; A45F 5/14; B25H  
3/02  
See application file for complete search history.

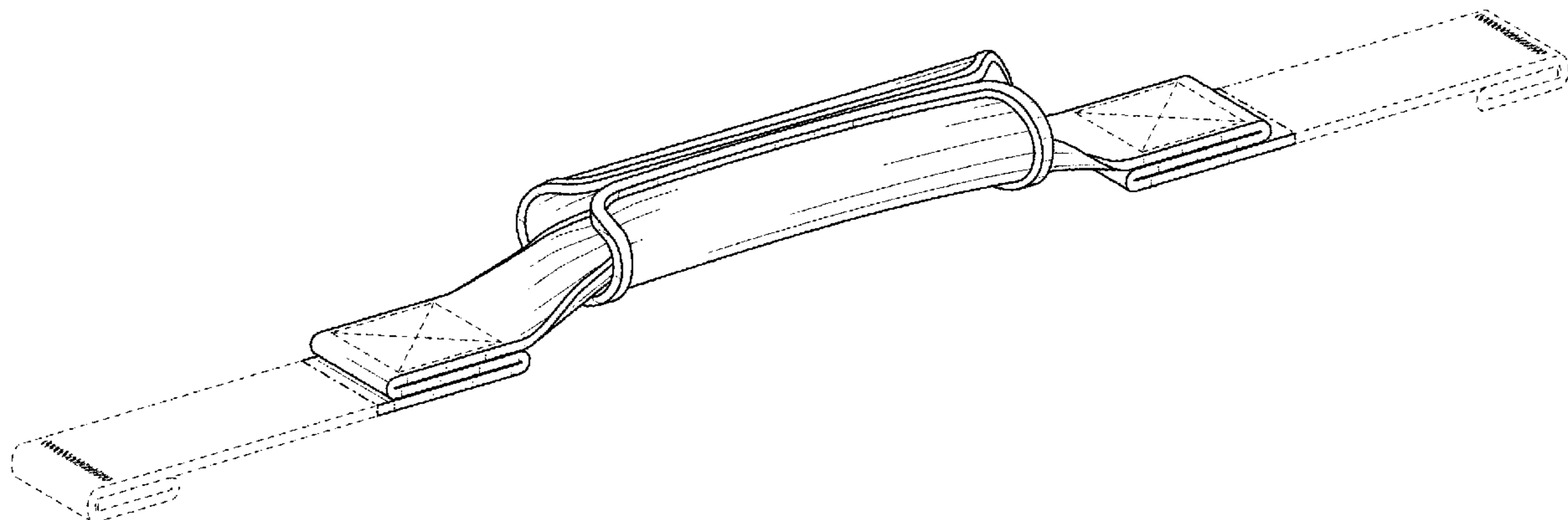
(57) **CLAIM**  
The ornamental design for a strap, as shown and described.

**DESCRIPTION**

FIG. 1 is a top, front, right perspective view of a strap showing our new design;  
FIG. 2 is a front view thereof;  
FIG. 3 is a rear view thereof;  
FIG. 4 is a right side view thereof;  
FIG. 5 is a left side view thereof;  
FIG. 6 is a top view thereof;  
FIG. 7 is a bottom view thereof; and,  
FIG. 8 is a front perspective view of a strap shown in an exemplary environment.  
The zig-zag lines and even-length broken lines within the shaded area represent stitching that forms no part of the claimed design. The even-length broken lines and the uneven-length broken lines immediately adjacent to the shaded area define the bounds of the claimed design form no part of the claimed design.

**1 Claim, 4 Drawing Sheets**

(56) **References Cited**  
U.S. PATENT DOCUMENTS  
2,519,186 A \* 8/1950 Herbert ..... A45F 5/1046  
16/411  
3,225,983 A 12/1965 Majka  
3,882,914 A 5/1975 Strutz  
3,991,921 A 11/1976 Hirsch  
D256,630 S 9/1980 Maney  
4,351,165 A 9/1982 Gottsegen et al.  
D327,846 S \* 7/1992 Jacobs ..... D9/434



(56)

References Cited

U.S. PATENT DOCUMENTS

5,282,706 A 2/1994 Anthony et al.  
D351,533 S 10/1994 Lynam, Jr.  
D355,568 S 2/1995 Paulin et al.  
5,402,557 A 4/1995 Dalen  
5,423,644 A 6/1995 First, Sr.  
D359,836 S 7/1995 Shuler  
D367,761 S \* 3/1996 Knutson ..... D3/318  
D367,817 S \* 3/1996 Halpin ..... 294/171  
D371,724 S 7/1996 Melk  
D371,942 S 7/1996 Lippincott et al.  
D373,514 S 9/1996 Melk  
5,603,545 A 2/1997 Benson et al.  
D381,871 S 8/1997 Melk  
D387,626 S 12/1997 Melk  
D392,510 S 3/1998 Perez  
5,762,242 A 6/1998 Yost  
5,816,185 A 10/1998 Ruthrford  
5,896,962 A 4/1999 Smith et al.  
5,924,303 A 7/1999 Hodosh  
D417,959 S \* 12/1999 Albaugh, III ..... D3/265  
D456,264 S \* 4/2002 Lalande ..... D9/434  
6,371,346 B1 4/2002 Sharma  
D457,725 S 5/2002 Parsons  
6,427,475 B1 8/2002 DeFelice et al.  
6,478,463 B2 11/2002 Snider  
6,508,389 B1 1/2003 Ripoyla et al.  
D471,006 S \* 3/2003 French ..... D3/221  
6,543,096 B2 4/2003 Settelmayer et al.  
6,547,218 B2 4/2003 Landy  
6,637,077 B2 10/2003 Doty  
6,821,019 B2 11/2004 Mogil  
D500,598 S 1/2005 Ramos  
6,877,189 B2 4/2005 Simonson et al.  
D508,376 S 8/2005 Bhavnani  
D528,800 S 9/2006 Liu et al.  
D530,095 S 10/2006 Herzberg  
7,171,731 B1 2/2007 Borcharding  
D544,211 S 6/2007 Herzberg  
D562,646 S 2/2008 Lown et al.  
7,387,324 B1 \* 6/2008 Sharpe ..... A45F 5/1026  
16/425  
D575,059 S 8/2008 Cappiello et al.  
D608,601 S 1/2010 Whitlock et al.  
D617,561 S 6/2010 Salerno-Tortora  
7,874,047 B2 1/2011 Breeden  
7,922,052 B2 4/2011 Podschus  
8,099,836 B2 1/2012 Breeden et al.  
8,430,284 B2 4/2013 Broadbent et al.  
8,459,058 B2 6/2013 Mogil  
8,459,487 B2 6/2013 Sharma et al.  
8,616,600 B2 12/2013 Owen  
8,640,937 B2 2/2014 Pruchnicki  
D725,902 S \* 4/2015 Kuster ..... D3/245  
D734,742 S 7/2015 Fujioka  
9,113,686 B1 8/2015 Bishop

9,254,901 B2 2/2016 Gill  
9,259,828 B2 2/2016 Bermes  
9,266,462 B2 2/2016 Miller  
9,376,050 B1 6/2016 Gill  
D772,577 S 11/2016 Muchin et al.  
D776,934 S 1/2017 Braendle  
D780,523 S 3/2017 Jacobsen  
D780,524 S 3/2017 Jacobsen  
D780,525 S 3/2017 Jacobsen  
9,622,547 B2 4/2017 Seader  
9,669,986 B1 6/2017 Evans  
D808,655 S 1/2018 Seiders et al.  
D815,787 S \* 4/2018 Seiders ..... D32/53  
D817,722 S 5/2018 Bradley  
10,086,745 B2 10/2018 Gill  
D837,611 S 1/2019 Lane et al.  
D841,984 S \* 3/2019 Gu ..... D3/318  
D842,048 S 3/2019 Wells  
D848,744 S 5/2019 Axelbaum  
D850,796 S 6/2019 Ricca  
10,314,377 B2 6/2019 Stephens  
D853,729 S 7/2019 Axelbaum  
10,351,330 B2 7/2019 Smith et al.  
D859,842 S 9/2019 Frank  
D867,823 S \* 11/2019 Jacobsen ..... D7/607  
D886,537 S \* 6/2020 Jacobsen ..... D7/607  
D886,538 S \* 6/2020 Jacobsen ..... D7/607  
2004/0007604 A1 1/2004 Plzak  
2005/0103813 A1 5/2005 Edwards  
2005/0180835 A1 8/2005 Schneider  
2006/0037178 A1 2/2006 Sulhoff  
2006/0196218 A1 9/2006 Mogil et al.  
2006/0213941 A1 9/2006 Sweeney  
2008/0042460 A1 2/2008 Fuchs  
2008/0196650 A1 8/2008 Fernung  
2009/0049859 A1 2/2009 Moon  
2010/0072215 A1 3/2010 Coon  
2010/0078451 A1 4/2010 Mount  
2010/0258576 A1 10/2010 Marquez  
2012/0024896 A1 2/2012 Scobey et al.  
2014/0130310 A1 5/2014 Roth  
2015/0296945 A1 10/2015 Douglas  
2018/0087819 A1 3/2018 Triska et al.  
2020/0216224 A1 \* 7/2020 Nichols ..... B65D 25/24

OTHER PUBLICATIONS

Whitecap Flexible Grab Handle W/ Molded Grip, unknown first available date, hodgeamarine.com [online], [site visited Nov. 29, 2021], Available at URL: <https://www.hodgeamarine.com/whis-7098p-whitecap-flexible-grab-handle-wmolded-grip.html> (Year: 2021).  
Ozark Trail 52 and 73 Quart Coolers Replacement Handle, unknown first available date, walmart.com [online], [site visited Nov. 29, 2021], Available at URL: <https://www.walmart.com/ip/Ozark-Trail-52-and-73-Quart-Coolers-Replacement-Handle/55588261> (Year: 2021).\*

\* cited by examiner

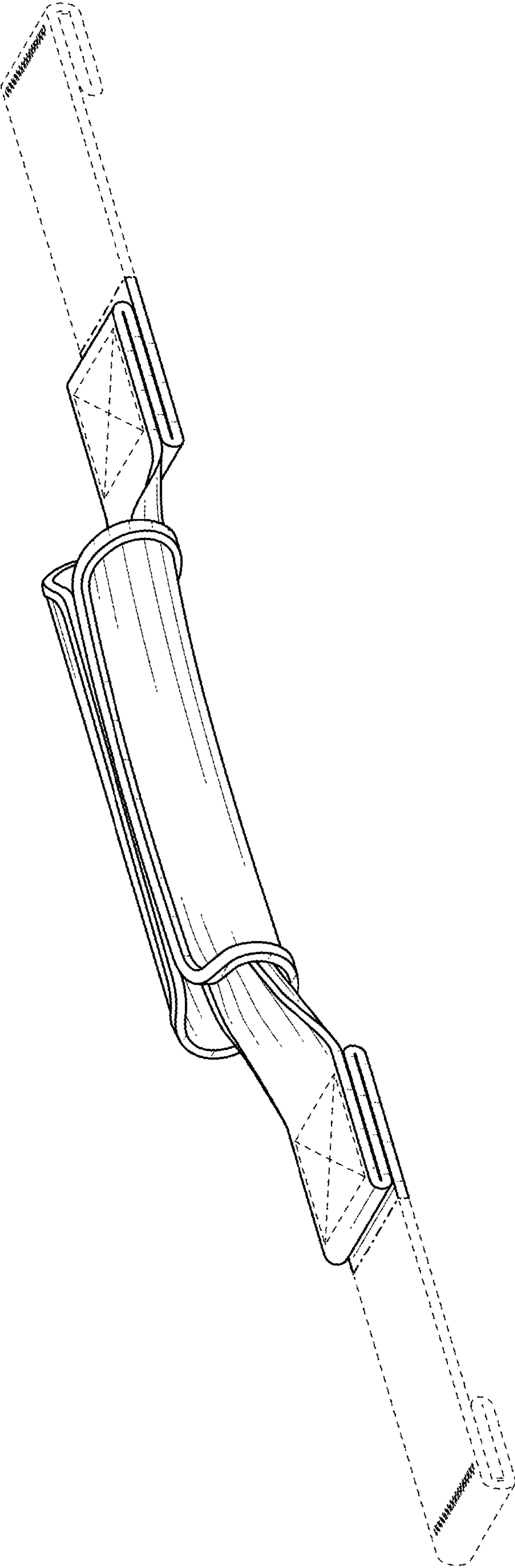


FIG. 1



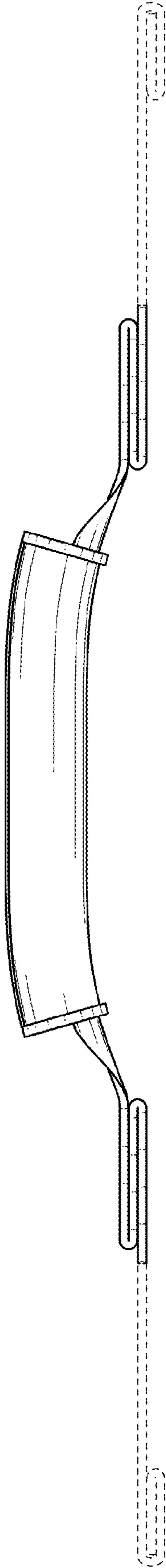


FIG. 2

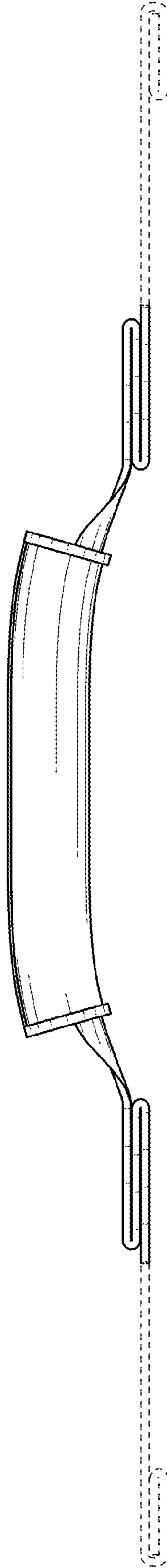


FIG. 3

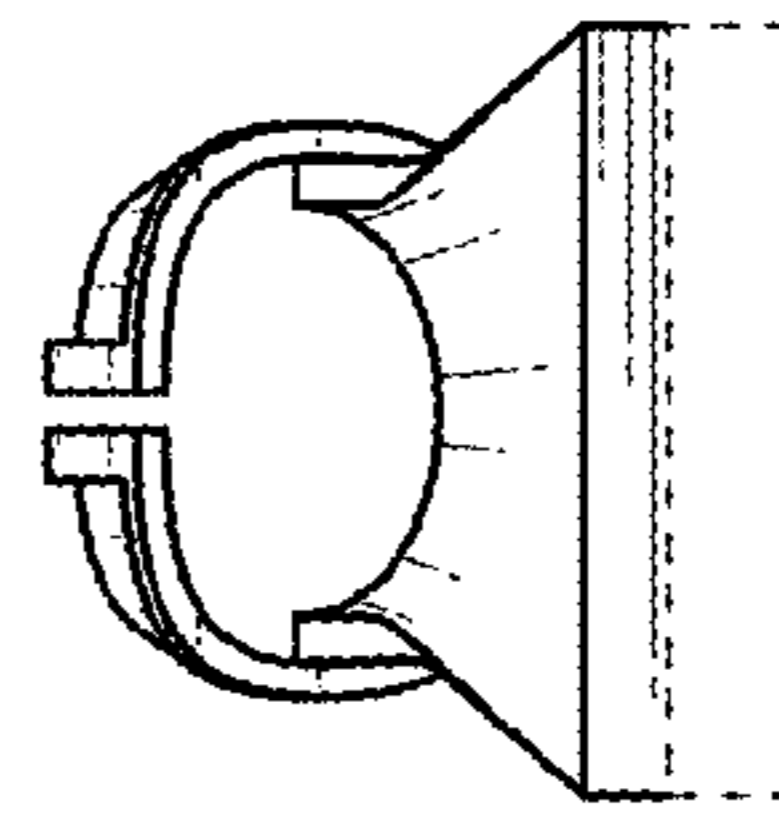


FIG. 4

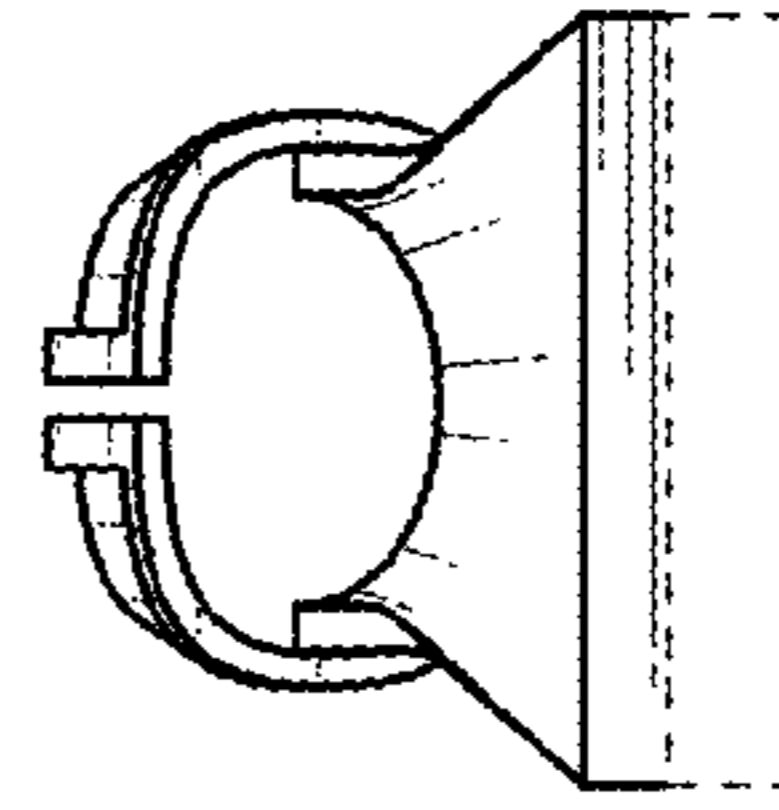


FIG. 5

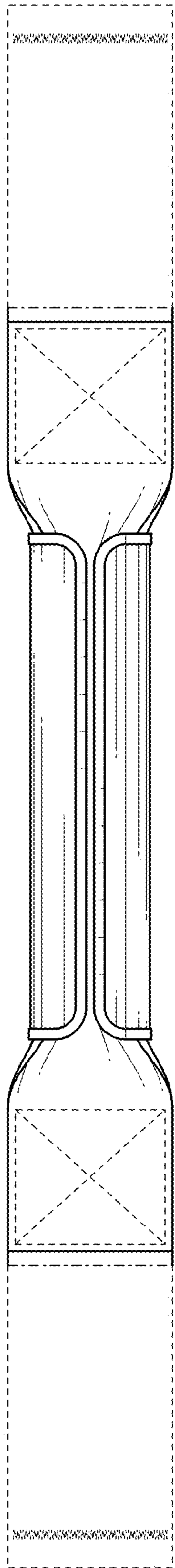


FIG. 6

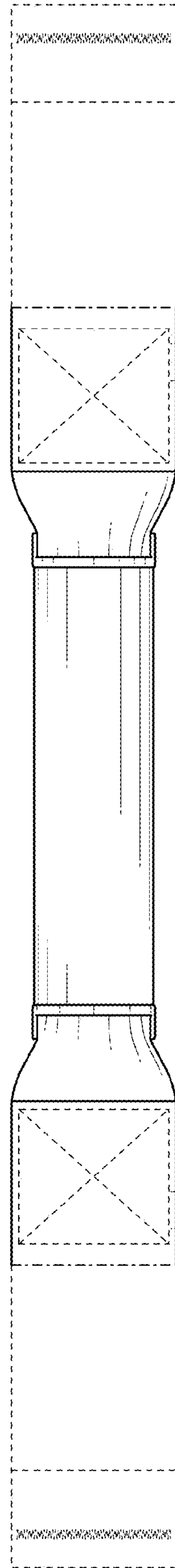


FIG. 7

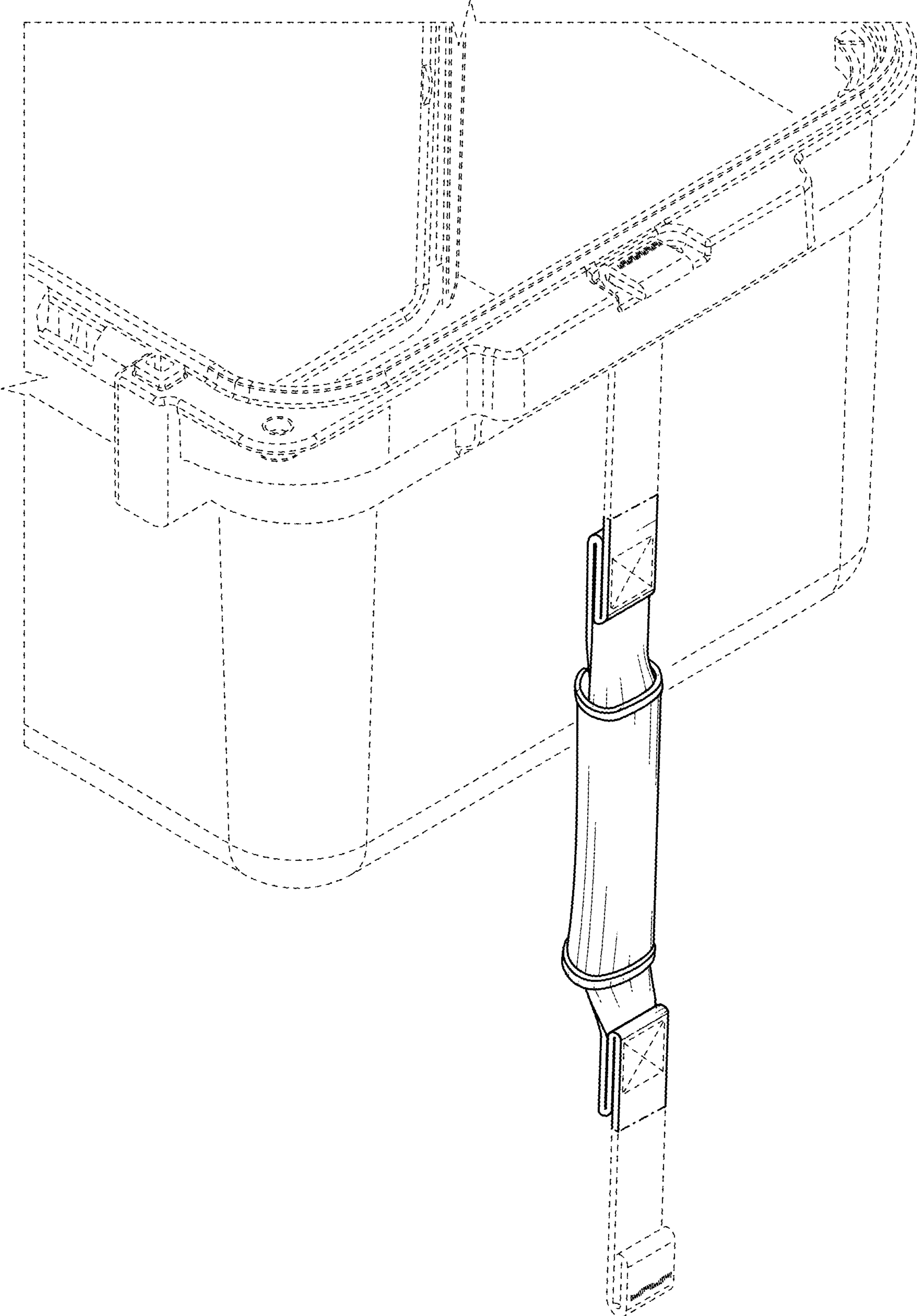


FIG. 8