



US00D948869S

(12) **United States Design Patent** (10) **Patent No.:** **US D948,869 S**
Lee (45) **Date of Patent:** **** Apr. 19, 2022**

(54) **BAG FASTENER**
(71) Applicant: **Sohhee Trading Co., Ltd.**, Seoul (KR)
(72) Inventor: **Hye Kyung Lee**, Seoul (KR)
(73) Assignee: **SOHHEE TRADING CO., LTD.**,
Seoul (KR)

D802,929 S * 11/2017 Morszeck D3/318
D813,545 S * 3/2018 Hemphill D3/318
D836,343 S * 12/2018 Lopez Montoya D3/318
D836,912 S * 1/2019 Lopez Montoya D3/318
D844,994 S * 4/2019 Pacha D3/327
D858,996 S * 9/2019 Thompson D3/318
D880,865 S * 4/2020 Fusi D3/318
D884,348 S * 5/2020 Zhou D3/318
D888,533 S * 6/2020 Takaguchi D8/330

(Continued)

(**) Term: **15 Years**

(21) Appl. No.: **35/510,557**

(22) Filed: **Nov. 8, 2019**

(80) **Hague Agreement Data**

Int. Filing Date: **Nov. 8, 2019**
Int. Reg. No.: **DM/210684**
Int. Reg. Date: **Nov. 8, 2019**
Int. Reg. Pub. Date: **Oct. 16, 2020**

(51) **LOC (13) Cl.** **03-01**

(52) **U.S. Cl.**
USPC **D3/318**

(58) **Field of Classification Search**
USPC D3/245-246, 318; D8/330
CPC A45C 1/024; A45C 3/06; A45C 13/10;
A45C 13/06; A44C 5/20; A44C 5/2009
See application file for complete search history.

(56) **References Cited**

U.S. PATENT DOCUMENTS

1,488,301 A * 3/1924 Tueckmantel A45C 13/06
70/66
2,352,437 A * 6/1944 Forbes A45C 13/10
292/87
2,765,016 A * 10/1956 Parsegian A45C 13/06
150/101
3,950,828 A * 4/1976 Szamborski A44C 5/2009
24/599.1
D520,241 S * 5/2006 Hicks D3/318
D578,306 S * 10/2008 Hermann D3/232
D595,505 S * 7/2009 Gonzalez D3/318

OTHER PUBLICATIONS

“Housweety 10 Sets Silver Tone Purse Twist Turn Lock 28x37mm(1½"x1¼")” [online]. Housweety. [Product first available on Oct. 10, 2013]. Retrieved from the Internet: <https://www.amazon.com/dp/B00FR3C1Y8>.*

Primary Examiner — Mojtaba Tehrani
(74) *Attorney, Agent, or Firm* — Do Hee Kim

(57) **CLAIM**

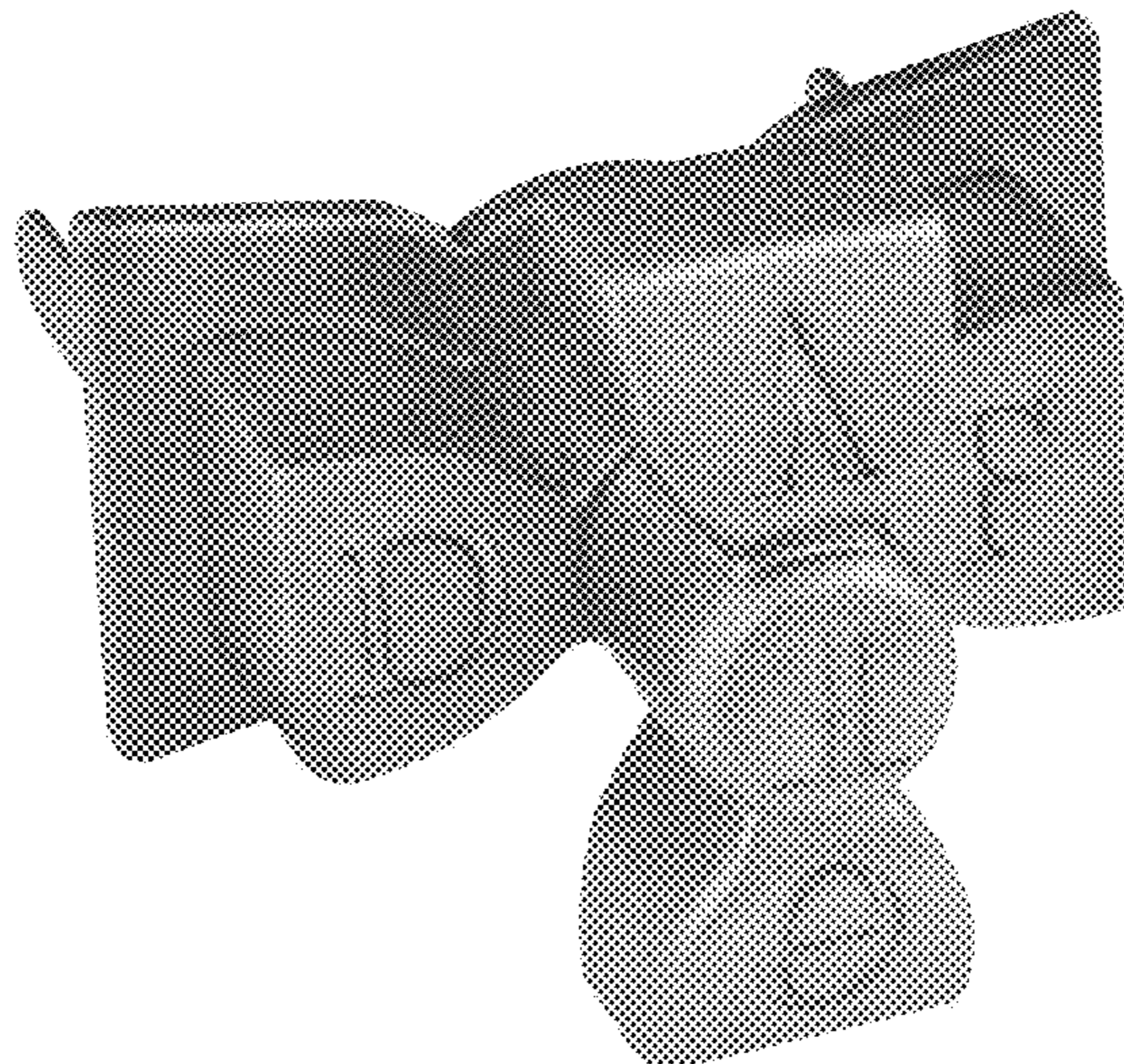
The ornamental design for a bag fastener, as shown and described.

DESCRIPTION

- 1. Bag fastener
- 1.1 : Perspective
- 1.2 : Front
- 1.3 : Back
- 1.4 : Left
- 1.5 : Right
- 1.6 : Top
- 1.7 : Bottom

The material of a bag fastener is metals; the subject design is used by attaching to bags and handbags; the figures are photographs substituted for drawing representing the following: FIG. 1.1 shows a perspective view of the design, FIG. 1.2 shows a front view thereof, FIG. 1.3 shows a rear view thereof, FIG. 1.4 shows a left side view thereof, FIG. 1.5 shows a right side view thereof, FIG. 1.6 shows a top view thereof and FIG. 1.7 shows a bottom view thereof.

1 Claim, 7 Drawing Sheets



(56)

References Cited

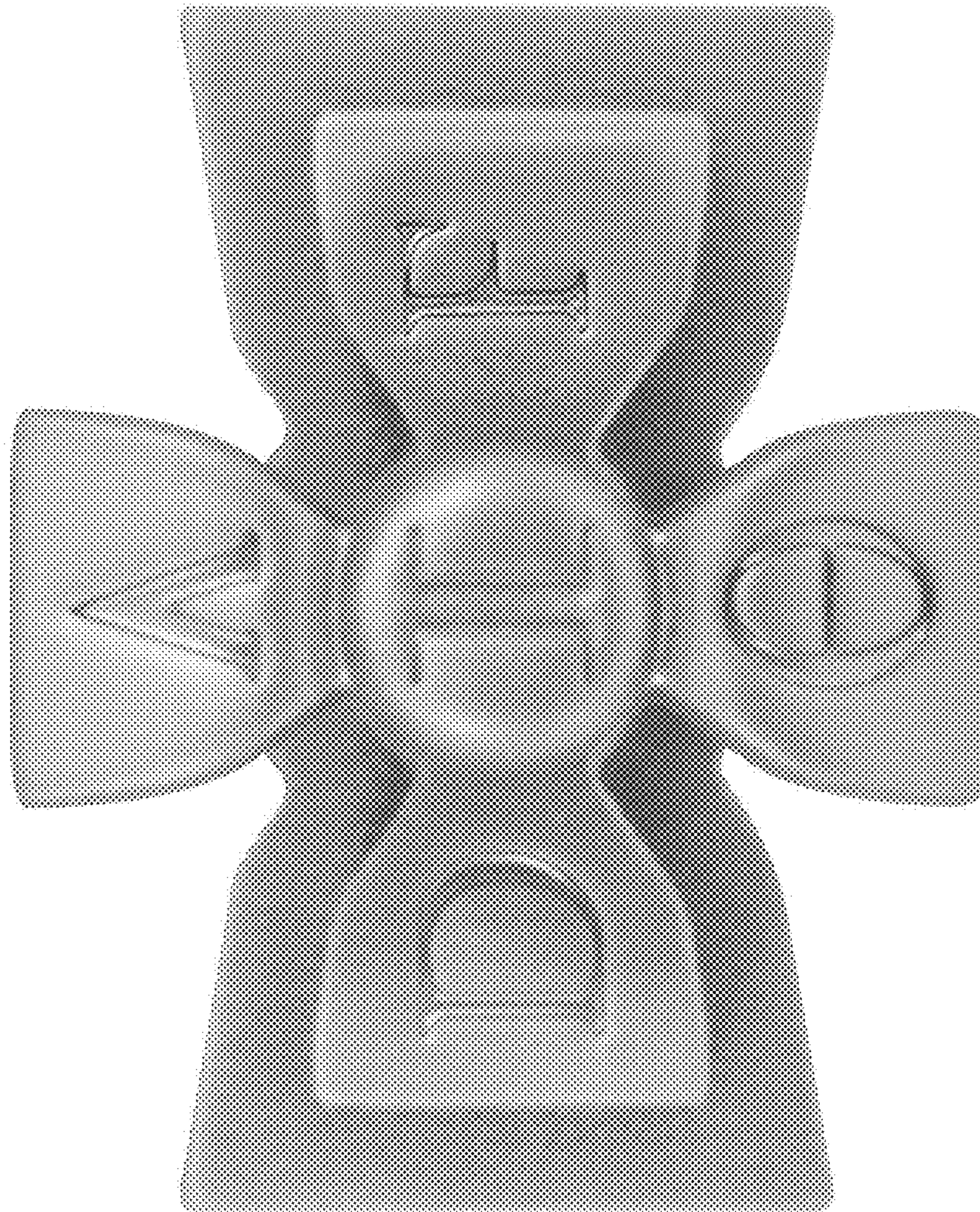
U.S. PATENT DOCUMENTS

D913,697 S * 3/2021 Camerlengo D3/318
2010/0066061 A1* 3/2010 Slobodecki B60R 21/20
280/728.2
2010/0139057 A1* 6/2010 Soderberg A61F 5/0118
24/68 R
2020/0352286 A1* 11/2020 Galindo A44C 5/18

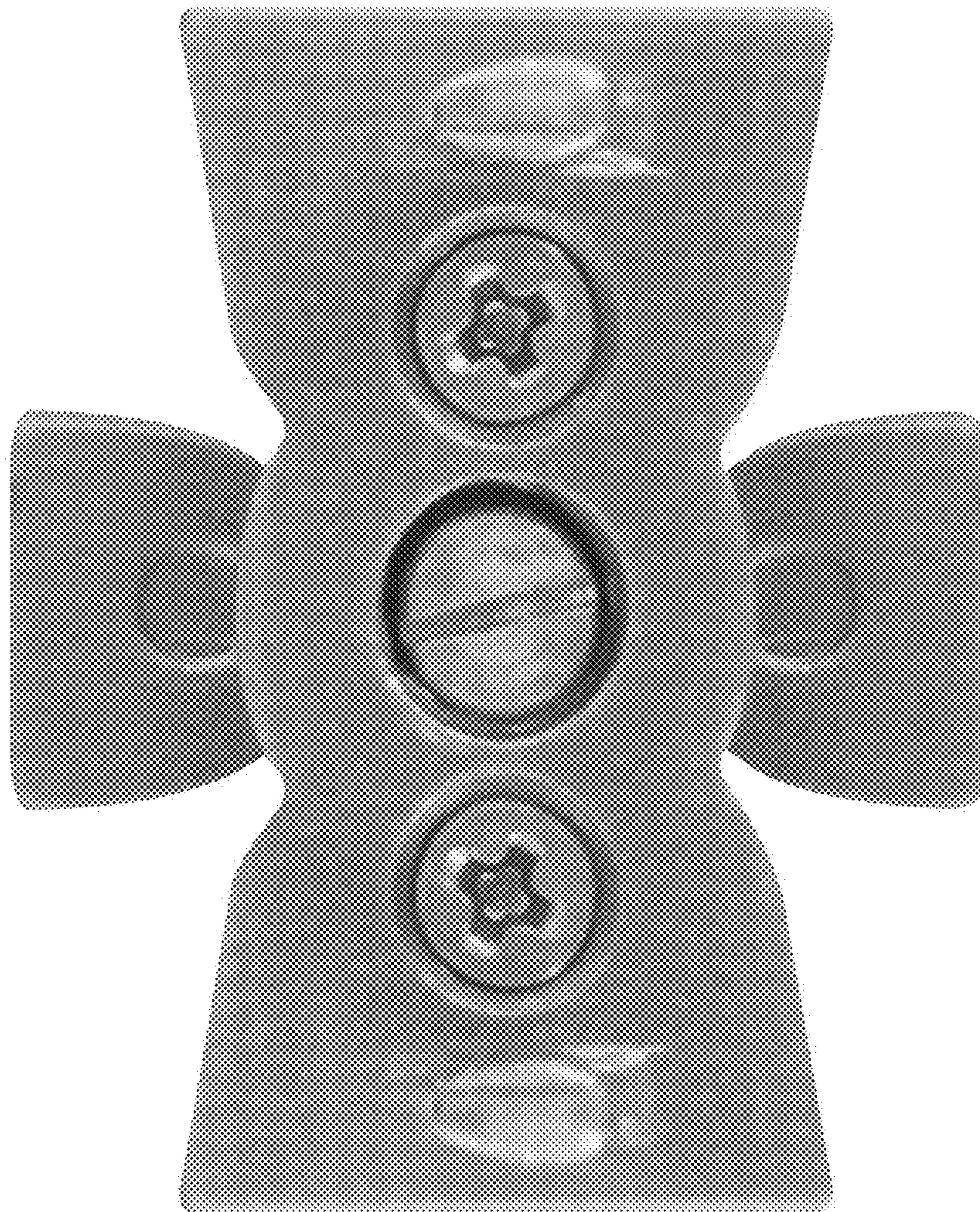
* cited by examiner



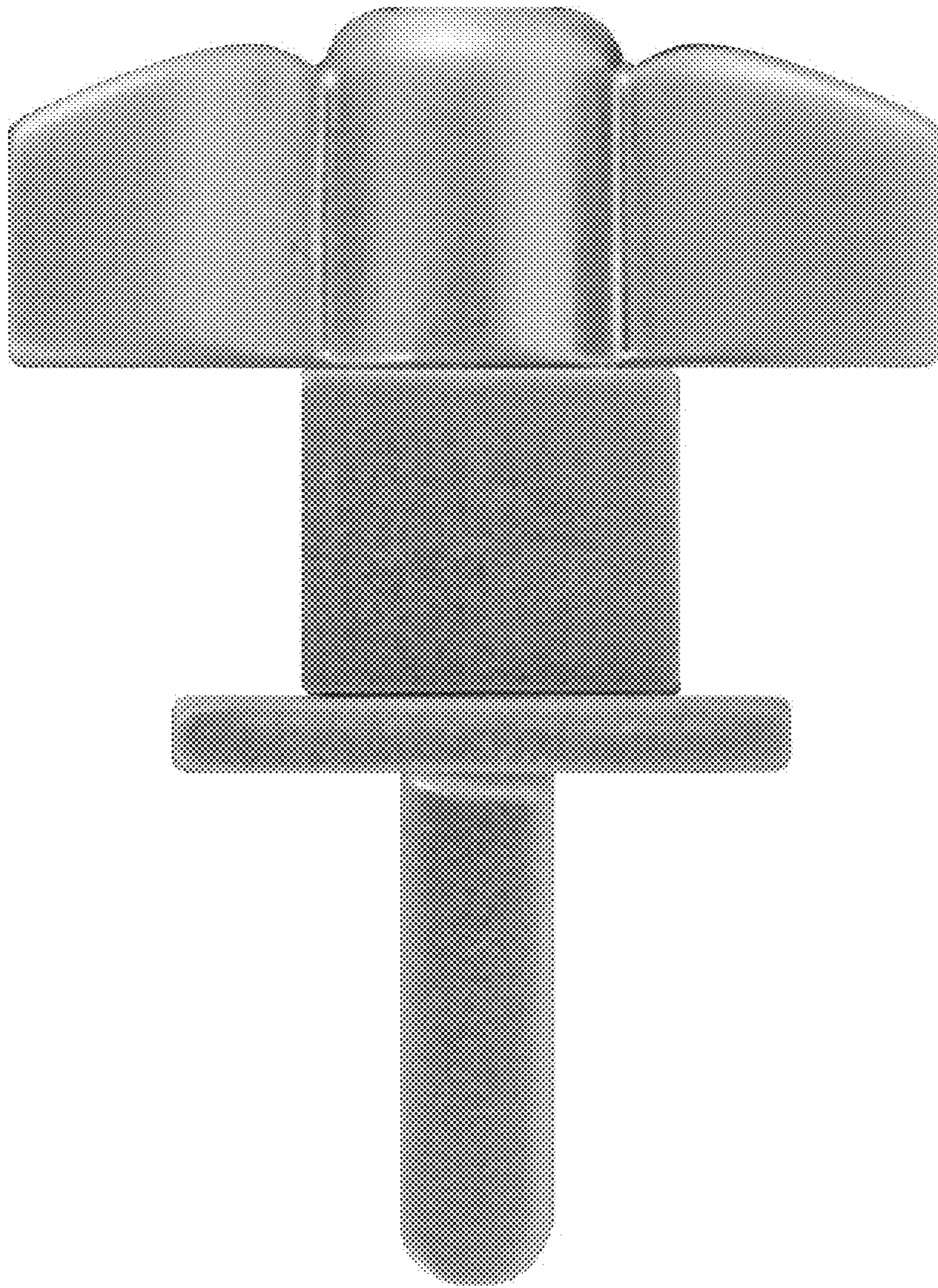
1.1



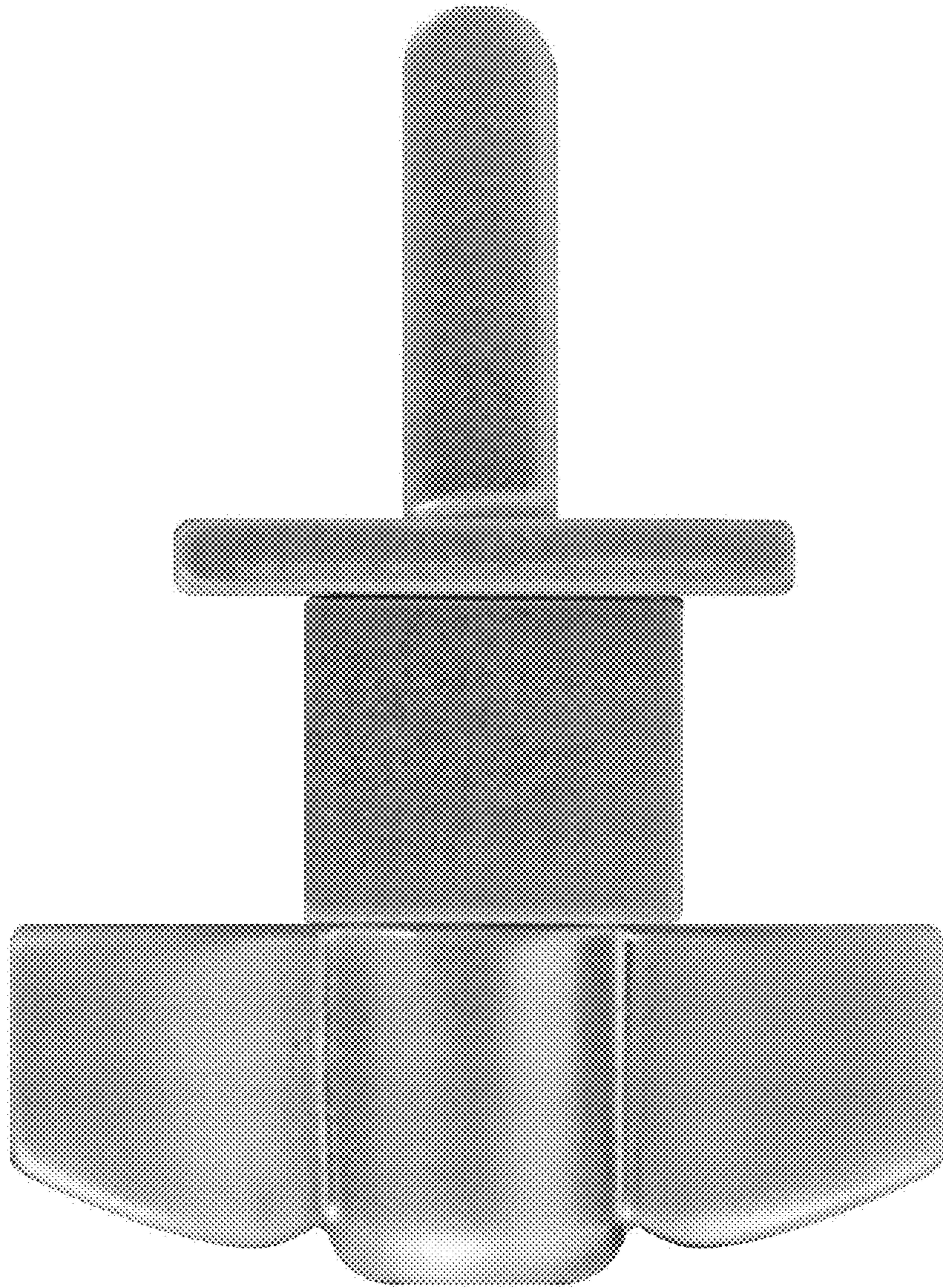
1.2



1.3

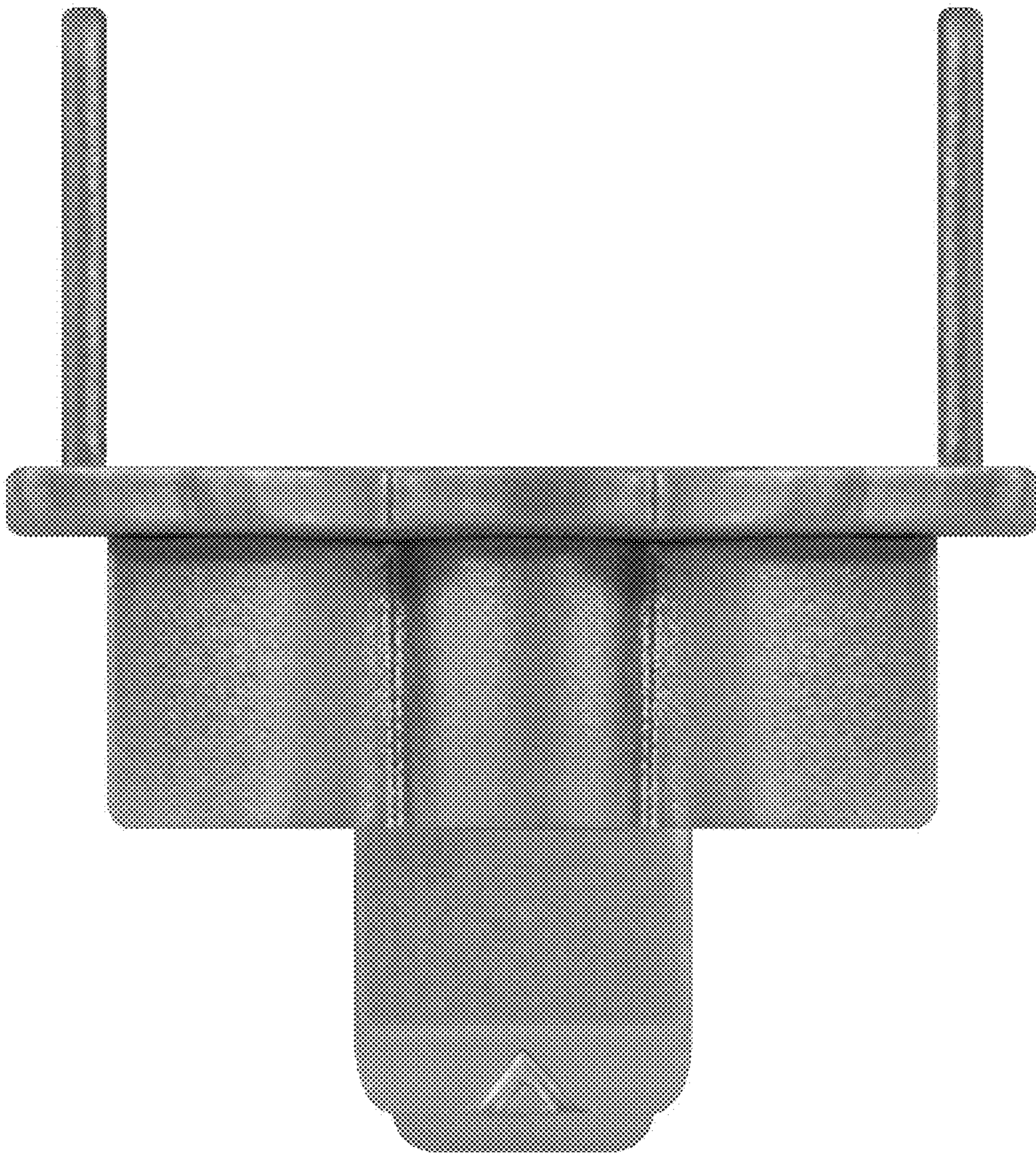


1.4



1.5

1.6



1.7

