



US00D948868S

(12) **United States Design Patent**
Babcock

(10) **Patent No.:** **US D948,868 S**

(45) **Date of Patent:** **** Apr. 19, 2022**

(54) **KEEPSAKE BOX**

(71) Applicant: **Amber Babcock**, Sanford, FL (US)

(72) Inventor: **Amber Babcock**, Sanford, FL (US)

(**) Term: **15 Years**

(21) Appl. No.: **29/748,632**

(22) Filed: **Aug. 31, 2020**

(51) **LOC (13) Cl.** **09-04**

(52) **U.S. Cl.**

USPC **D3/313**; D3/273

(58) **Field of Classification Search**

USPC D3/274, 276, 285, 289, 290, 306, 313,
D3/203.1, 203.6, 205, 226, 230, 232, 242,
D3/245, 246, 267, 268, 273, 275, 283,
D3/284, 286, 287, 288, 294, 295, 301,
D3/303, 900, 901, 903, 201, 215, 218,
D3/221, 222, 228, 240, 251, 270, 271.9,
D3/296, 247, 34, 74, 78, 298; D7/607,
D7/609; D27/72, 183, 186, 190, 191;
D28/73, 76, 99; D9/420, 709, 423;
D19/26, 57, 62, 113, 157
CPC A45C 1/02; A45C 3/00; A45C 3/02; A45C
3/04; A45C 3/06; A45C 3/004; A45C
5/00; A45C 5/03; A45C 5/04; A45C 5/08;
A45C 11/18; B42D 5/005; B65D 81/02;
B65D 81/022; B65D 83/02; B65D 85/00;
B65D 85/08; B65D 85/10; B65D 85/12;
B65D 85/14; B65D 25/08; G09B 1/06;
A61C 19/10

See application file for complete search history.

(56) **References Cited**

U.S. PATENT DOCUMENTS

D278,097 S * 3/1985 Akiyoshi D3/295
D304,739 S * 11/1989 Ukisu D3/271.1

4,934,520 A * 6/1990 Okada A45C 11/18
150/134
D357,409 S * 4/1995 Past D3/273
5,621,990 A * 4/1997 Blanchard A61C 19/008
206/83

(Continued)

FOREIGN PATENT DOCUMENTS

CN 302712243 * 1/2014
CN 302852822 * 6/2014

(Continued)

OTHER PUBLICATIONS

Amazon.com, Site visited Dec. 9, 2021, Mylittlewoodshop Rectangle with Rounded Corners, First available Aug. 31, 2014, <https://www.amazon.com/Mylittlewoodshop-Rectangle-Rounded-unfinished-LC-RTRD01-26/dp/B00N6GDHN2> (Year: 2014).*

(Continued)

Primary Examiner — Brett Miller
Assistant Examiner — Jessica M Gebhart
(74) *Attorney, Agent, or Firm* — Allen, Dyer, Doppelt & Gilchrist, P.A.

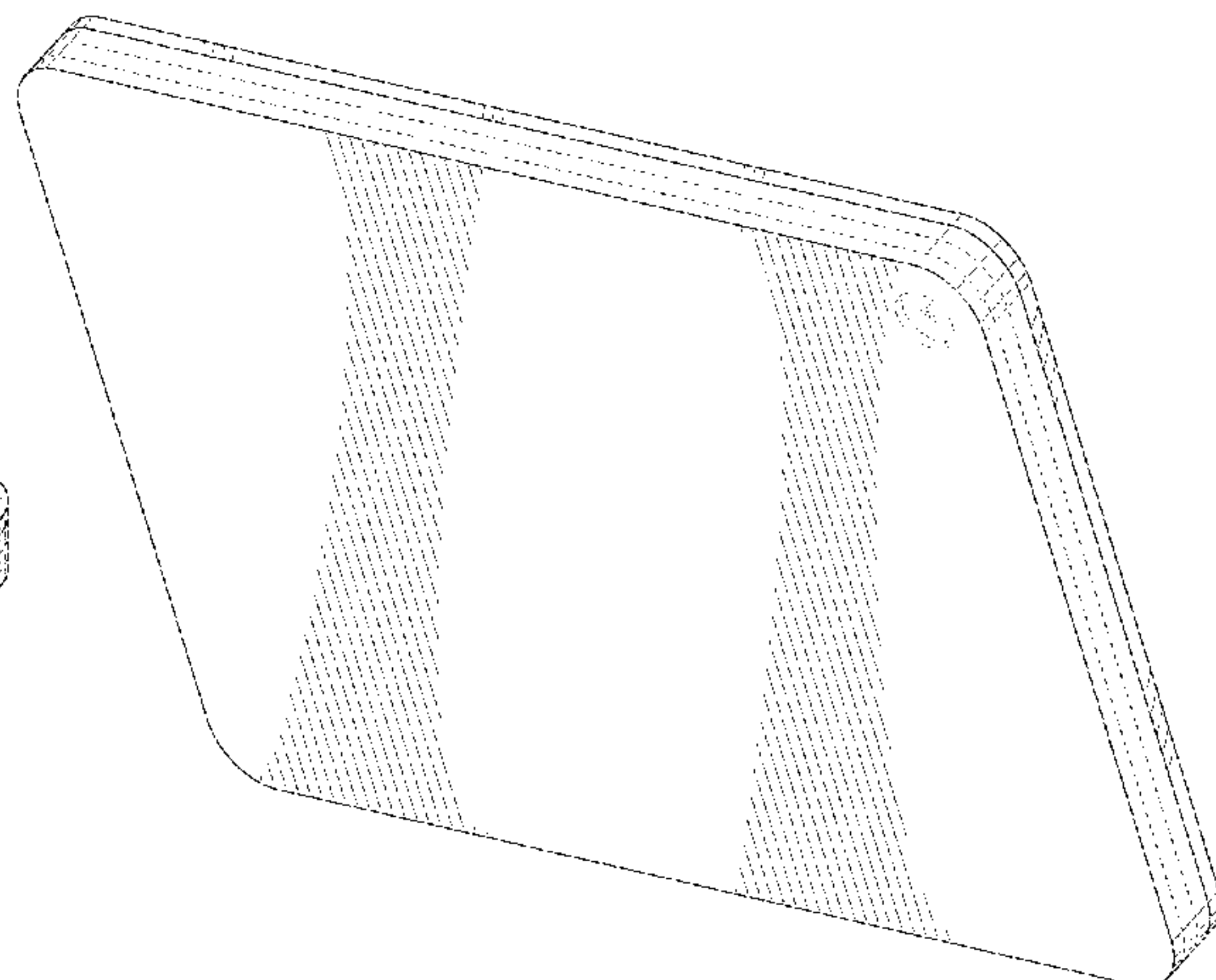
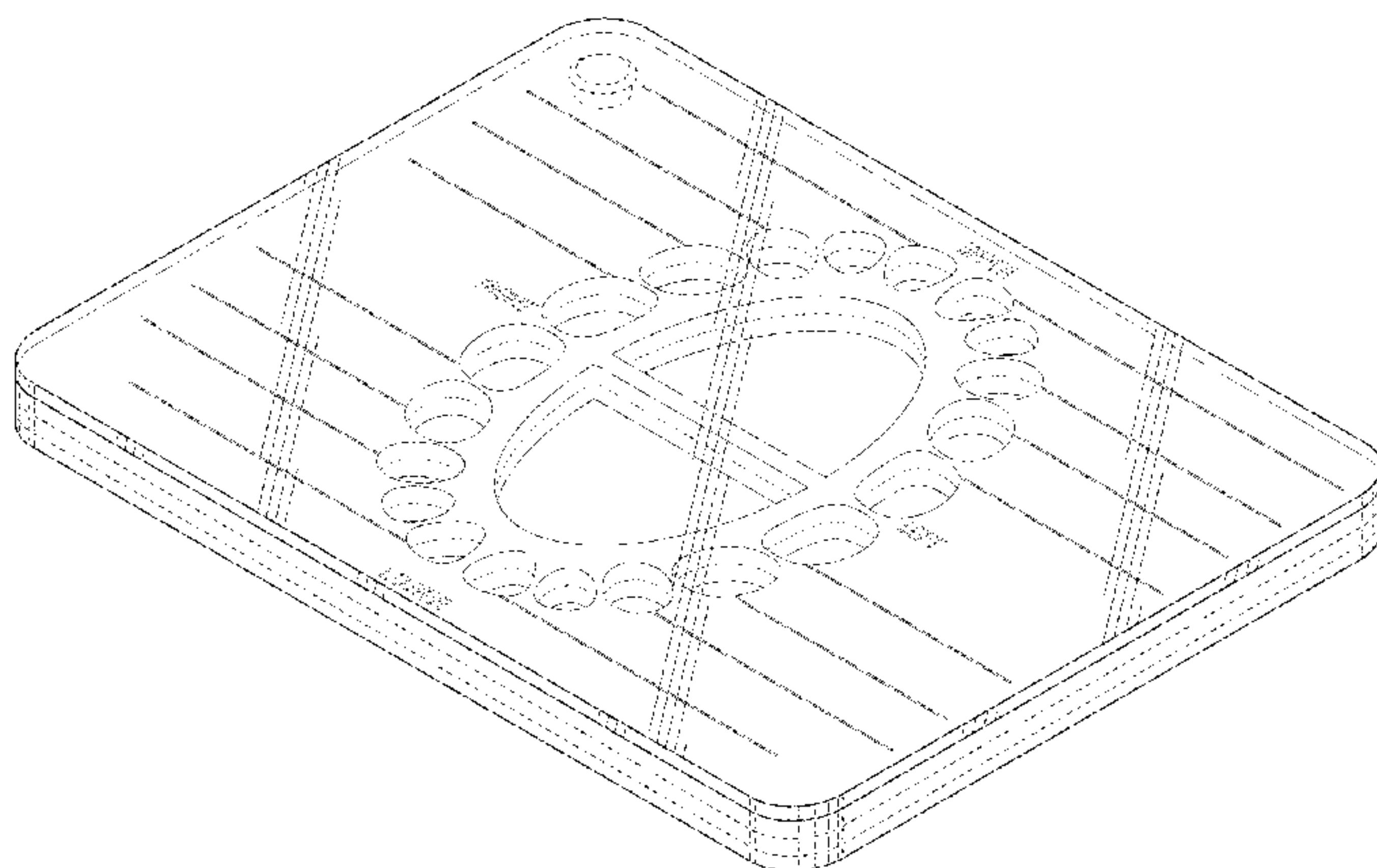
(57) **CLAIM**

The ornamental design for a keepsake box, as shown and described.

DESCRIPTION

FIG. 1 is a front, bottom, left side perspective view of a design for a keepsake box, according to the present invention;
FIG. 2 is a rear, top, right side perspective view thereof;
FIG. 3 is a front view thereof;
FIG. 4 is a rear view thereof;
FIG. 5 is a top view thereof;
FIG. 6 is a bottom view thereof;
FIG. 7 is a right side view thereof; and,
FIG. 8 is a left side view thereof.
Broken lines illustrate unclaimed subject matter.

1 Claim, 6 Drawing Sheets



(56)

References Cited

U.S. PATENT DOCUMENTS

6,182,820	B1 *	2/2001	Rathbauer	A61C 19/10 206/63.5
6,932,213	B1 *	8/2005	Distad	A61C 19/008 206/232
D728,223	S *	5/2015	Setre Shens	D3/232
D764,587	S *	8/2016	Madsen	D19/26
D809,298	S *	2/2018	Zhu	D3/294
D863,677	S *	10/2019	Chung	D27/172
D880,070	S *	3/2020	Kaiser	D28/83
2005/0011776	A1 *	1/2005	Nagel	A45C 11/182 206/39
2015/0122700	A1 *	5/2015	Swallow	B65D 25/02 206/775
2016/0096671	A1 *	4/2016	Canington, Jr.	B65D 81/02 220/560.01
2020/0221842	A1 *	7/2020	Navarrete	A45C 13/007

FOREIGN PATENT DOCUMENTS

CN	304396898	*	12/2017
CN	304778517	*	8/2018
CN	305891538	*	7/2020
CN	305969853	*	8/2020

OTHER PUBLICATIONS

Youtube.com, Site visited Dec. 9, 2021, "HowTo#10 Wooden iPhone Case" uploaded by Dmitriy Lutsenko on Sep. 12, 2016, <https://www.youtube.com/watch?v=UbpD4ZOAfR4> (Year: 2016).*

Etsy.com, Site visited Dec. 9, 2021, Keepsake Tooth Box by FromJennifer, oldest review is Jul. 2, 2018, <https://www.etsy.com/listing/399399851> (Year: 2018).*

Amazon.ca, Site visited Dec. 9, 2021, MakerHawk Baby Tooth Keepsake Box, First available May 18, 2020, <https://www.amazon.ca/MakerHawk-Tooth-Keepsake-Memory-Keepsakes/dp/B088RGWYMY> (Year: 2020).*

Etsy.com, Site Visited Dec. 9, 2021, Keepsake Box sold by Whiskerworks. Oldest review is Jul. 26, 2020. <https://www.etsy.com/listing/818991757/personalized-wooden-baby-tooth-storage> (Year: 2020).*

* cited by examiner

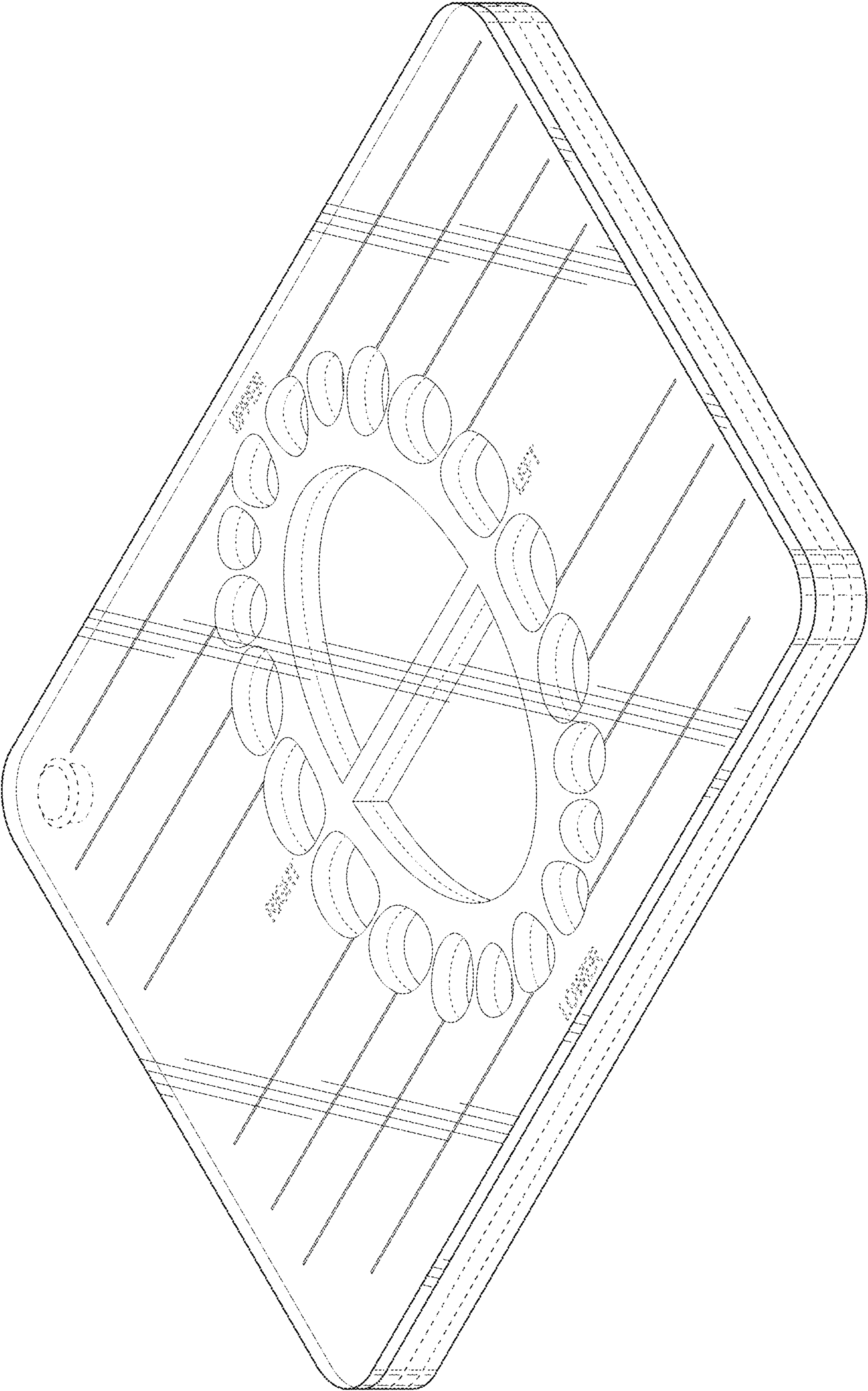


FIG. 1

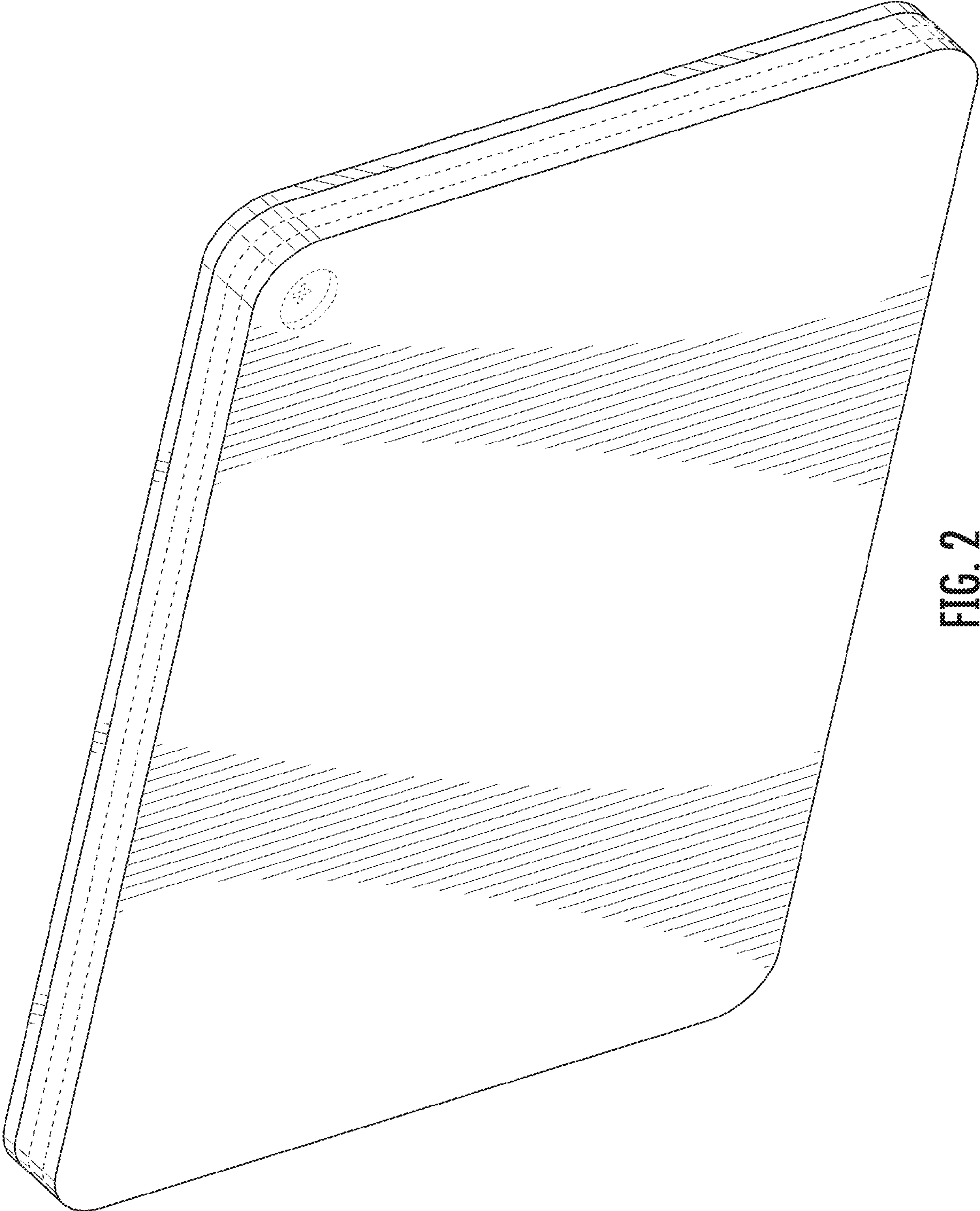


FIG. 2

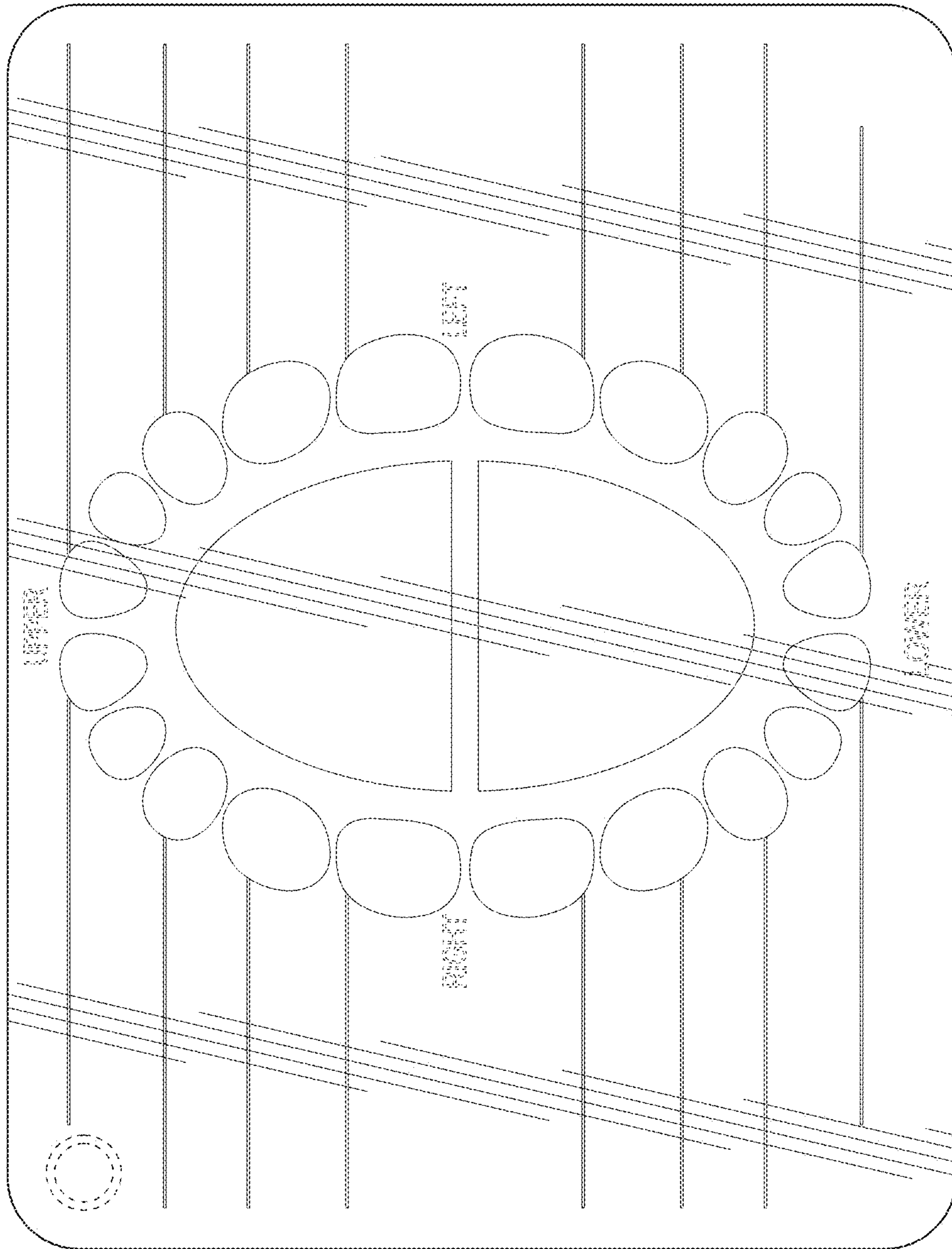


FIG. 3

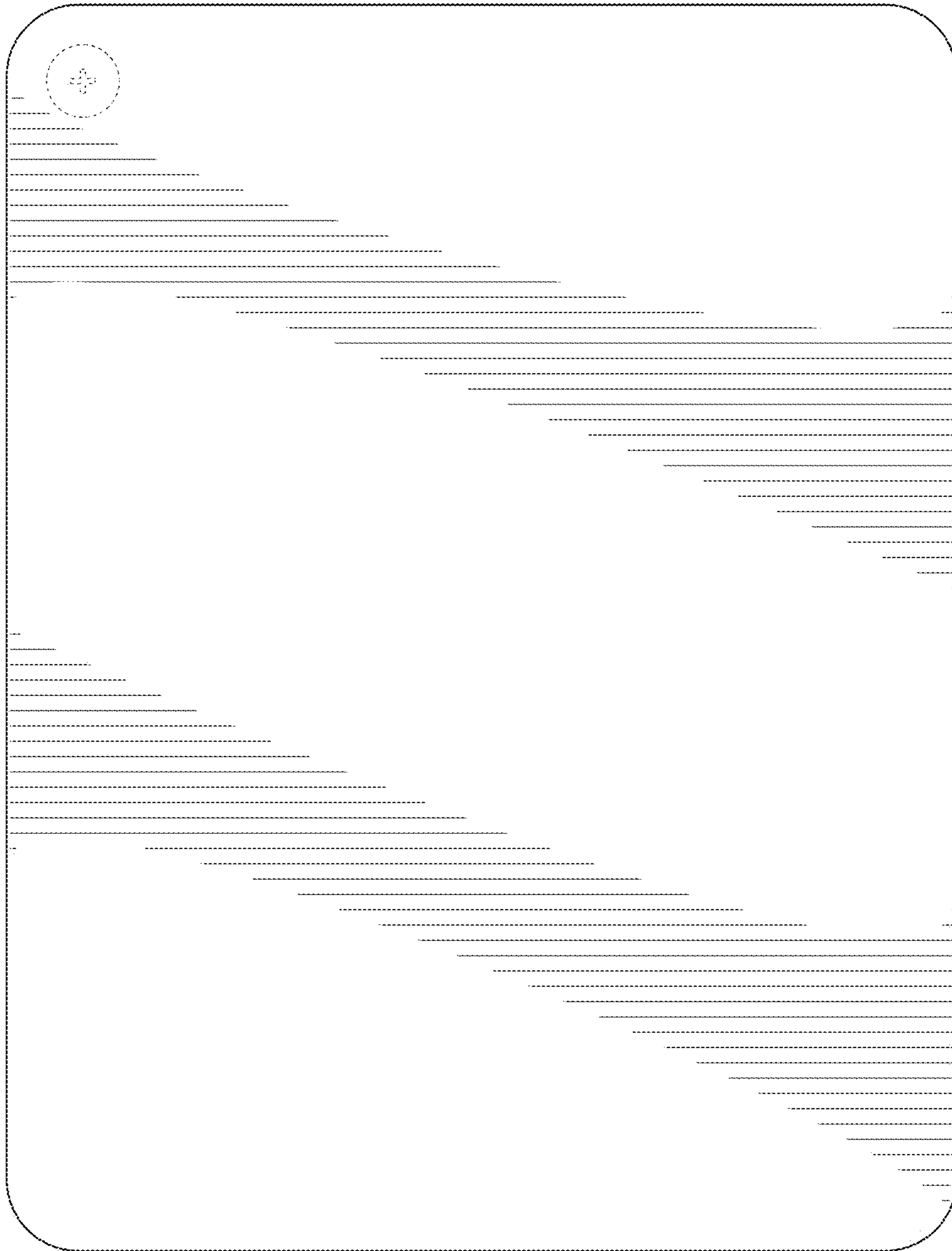


FIG. 4

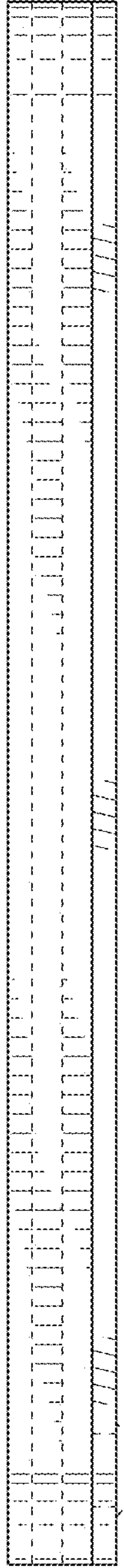


FIG. 5

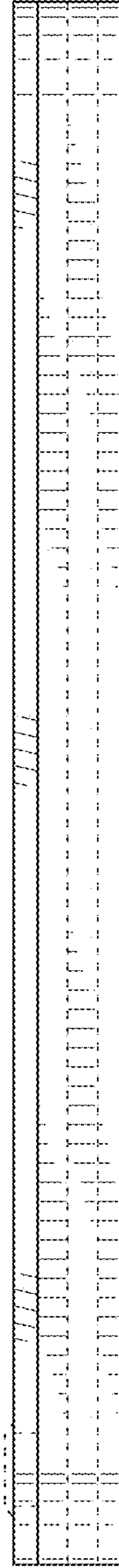


FIG. 6

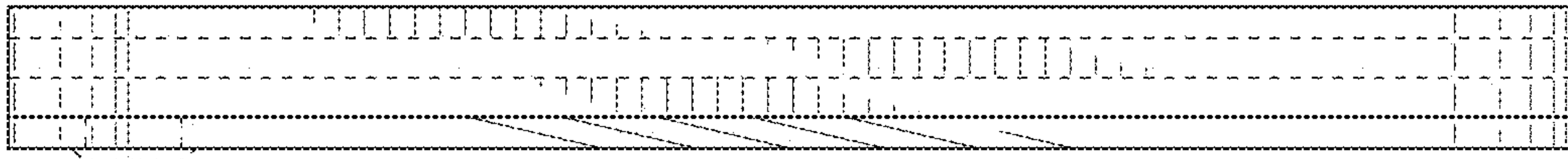


FIG. 8

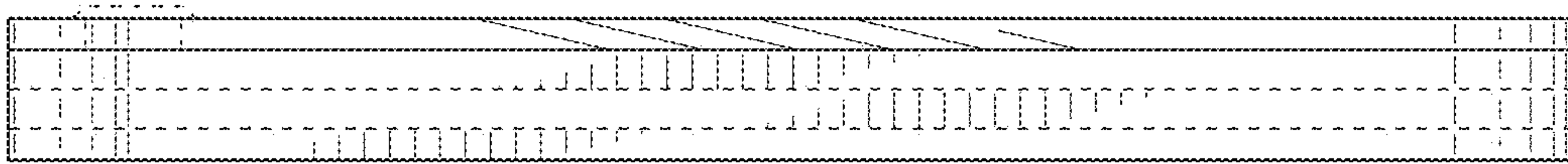


FIG. 7