



US00D948866S

(12) **United States Design Patent**
Wilkins et al.

(10) **Patent No.:** **US D948,866 S**

(45) **Date of Patent:** **** Apr. 19, 2022**

(54) **CONTAINER**

(71) Applicant: **Keep Labs Inc.**, Stratford (CA)

(72) Inventors: **Philip P. Wilkins**, Waterloo (CA);
Sepehr Seyedi, Toronto (CA);
Benjamin M. Glikzman, Waterloo (CA)

(73) Assignee: **KEEP LABS INC.**, Ontario (CA)

(**) Term: **15 Years**

(21) Appl. No.: **29/729,360**

(22) Filed: **Mar. 26, 2020**

(51) **LOC (13) Cl.** **03-01**

(52) **U.S. Cl.**

USPC **D3/273**; D99/28

(58) **Field of Classification Search**

USPC D3/272, 273, 274, 294, 20, 201, 302,
D3/318; D9/421, 435; D99/28; D7/601,
D7/629; D13/152; D14/240, 302, 125,
D14/299, 300, 314, 358, 496; D27/172,
D27/186, 188, 189

CPC B65D 43/164; B65D 2251/1083; B65D
1/22; B65H 75/4471

See application file for complete search history.

(56) **References Cited**

U.S. PATENT DOCUMENTS

D448,154 S *	9/2001	Mann	D3/203.1
D487,192 S *	3/2004	Farnham	D3/294
D522,531 S *	6/2006	Solomon	D14/188
D533,177 S *	12/2006	Andre	D14/314
D537,817 S *	3/2007	Andre	D14/314
D543,453 S *	5/2007	Fu	D21/392
D547,175 S *	7/2007	Berg	D9/420
D568,312 S *	5/2008	Wang	D14/356
D580,933 S *	11/2008	Ju	D14/240
D585,733 S *	2/2009	Feibelman	D9/418
D596,626 S *	7/2009	Andre	D14/240

D601,583 S *	10/2009	Andre	D14/496
D620,953 S *	8/2010	Andre	D14/496
D632,290 S *	2/2011	Jeon	D14/356

(Continued)

FOREIGN PATENT DOCUMENTS

CA	174082 S	7/2018
CA	174702 S	7/2018

(Continued)

OTHER PUBLICATIONS

Online Article by Jessica McKeil, "Elegant Technology Brings Cannabis Safety Home." Published Nov. 27, 2019 on <https://www.cannabistech.com/articles/elegant-technology-brings-cannabis-safety-home> (Year: 2019).*

(Continued)

Primary Examiner — Brett Miller

Assistant Examiner — Jessica M Gebhart

(74) *Attorney, Agent, or Firm* — Polson Intellectual Property Law, PC; Margaret Polson

(57) **CLAIM**

The ornamental design for a container, as shown and described.

DESCRIPTION

FIG. 1 is a front perspective view of a container showing our new design;

FIG. 2 is a front view thereof;

FIG. 3 is a rear view thereof;

FIG. 4 is a left side view thereof;

FIG. 5 is a right side view thereof;

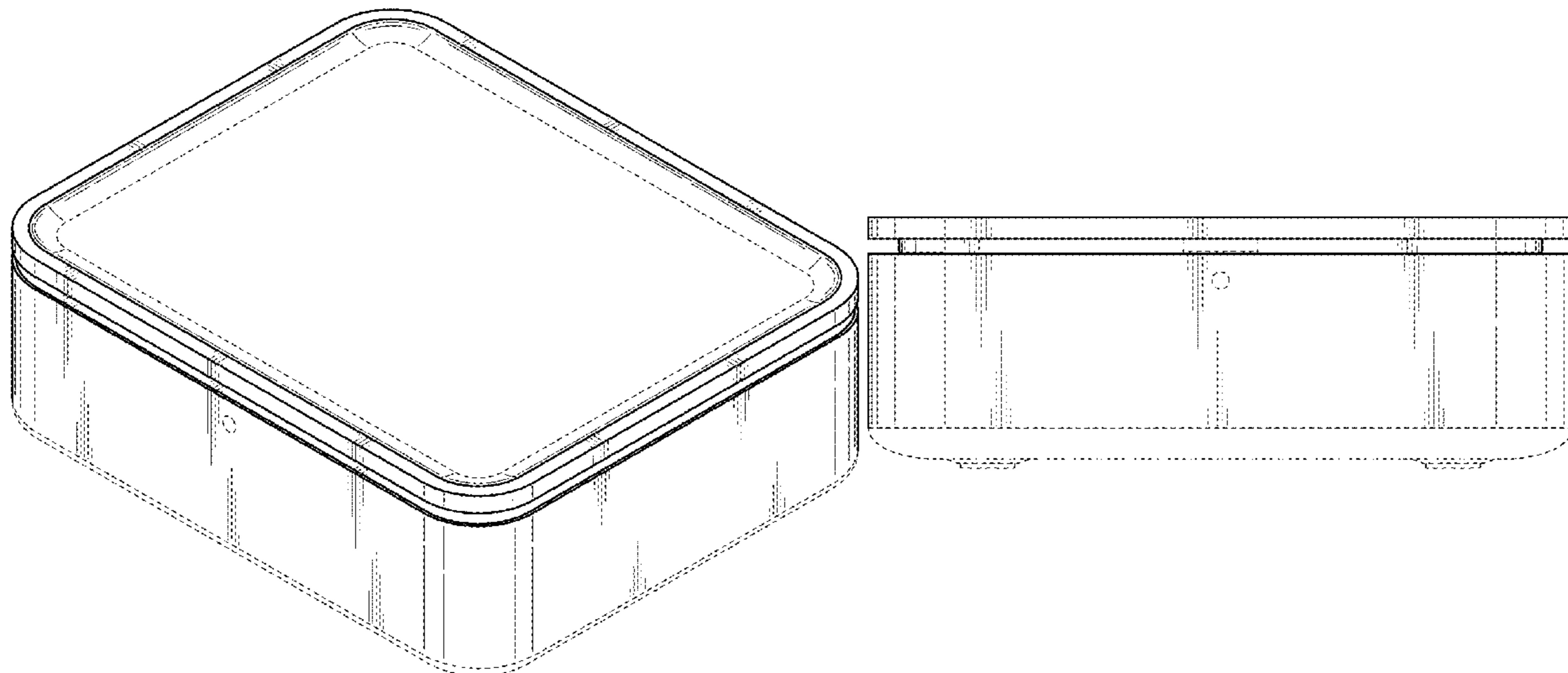
FIG. 6 is a top plan view thereof;

FIG. 7 is a bottom plan view thereof; and,

FIG. 8 is a bottom perspective view thereof.

The broken lines in the drawings depict portions of the container that form no part of the claimed design.

1 Claim, 5 Drawing Sheets



(56)

References Cited

U.S. PATENT DOCUMENTS

D635,324 S * 3/2011 Plato D99/28
 D641,327 S * 7/2011 Falakfarsa D14/125
 D650,377 S * 12/2011 Akana D14/314
 8,074,477 B1 * 12/2011 Weiche F41C 33/06
 70/14
 D656,654 S * 3/2012 Wauters D26/89
 D672,554 S * 12/2012 Penttinen D3/273
 D677,855 S * 3/2013 Eick D99/35
 D681,333 S * 5/2013 Crapser D3/304
 D684,824 S * 6/2013 Sweet D7/615
 D686,065 S * 7/2013 Kuo D9/432
 D722,053 S * 2/2015 Wang D14/358
 D722,985 S * 2/2015 Won D14/125
 D744,483 S * 12/2015 Barbu D14/358
 D752,529 S * 3/2016 Loretan D14/125
 D756,561 S * 5/2016 Ghiotti D27/186
 D768,607 S * 10/2016 Altonen D14/240
 D769,366 S * 10/2016 Hiraguchi D18/12.1
 D780,137 S * 2/2017 Tallqvist D14/125
 D787,174 S * 5/2017 Oie D3/20
 D787,895 S 5/2017 Kilduff et al.
 D791,123 S * 7/2017 Wieser D14/358
 D797,808 S * 9/2017 Peng D14/496
 D799,328 S * 10/2017 Canamasas Puigbo D9/529
 D799,588 S * 10/2017 Nanno D18/19
 D807,197 S 1/2018 Kilduff et al.
 D807,840 S * 1/2018 Lee D14/125
 D809,298 S * 2/2018 Zhu D3/294
 D815,054 S * 4/2018 Odryna D14/125
 D816,624 S * 5/2018 Odryna D14/125
 D817,287 S * 5/2018 Won D14/125
 D821,386 S * 6/2018 Dou D14/314
 D828,817 S * 9/2018 Odryna D14/125
 D831,597 S * 10/2018 Lee D14/125
 D834,377 S * 11/2018 Zoske D7/629
 D842,700 S 3/2019 Blomberg et al.
 D842,829 S * 3/2019 Wang D14/125
 D843,225 S 3/2019 Kilduff et al.
 D848,832 S 5/2019 Blomberg et al.
 D850,392 S * 6/2019 Odryna D14/125
 D851,053 S * 6/2019 Odryna D14/125
 D852,616 S * 7/2019 Thesing D9/423
 D856,317 S * 8/2019 Bone D14/242
 D858,276 S 9/2019 Blomberg et al.
 D864,568 S * 10/2019 Roberts D3/294
 D879,150 S * 3/2020 Kusano D14/496
 D884,707 S * 5/2020 Zhang D14/434
 D889,461 S * 7/2020 Seo D14/358
 D908,617 S * 1/2021 Briggs D13/108

D920,624 S * 5/2021 Loeppert D99/28
 D922,947 S * 6/2021 Wang D13/108
 D924,159 S * 7/2021 Byrne D13/146
 D931,212 S * 9/2021 Briggs D13/108
 2002/0196724 A1 * 12/2002 Henrichs G11B 33/027
 720/655
 2014/0137522 A1 * 5/2014 Junior B65D 43/164
 53/492
 2014/0346168 A1 * 11/2014 Wang B65D 21/083
 220/23.83
 2017/0355511 A1 12/2017 Akdogan et al.
 2019/0241322 A1 8/2019 Blomberg et al.
 2020/0239207 A1 7/2020 Bontempo et al.
 2021/0097791 A1 4/2021 Wilkins et al.

FOREIGN PATENT DOCUMENTS

CA	179431 S	7/2018
CA	177837 S	12/2018
CA	184505 S	12/2018
CA	184506 S	12/2018
CA	184507 S	12/2018
CA	184508 S	12/2018
CA	184509 S	12/2018
CN	300821915	* 8/2008
CN	304339492 S	11/2017
CN	304339937 S	11/2017
CN	304481096 S	1/2018
CN	304533541 S	3/2018
CN	107914938 A	4/2018
CN	207434024 U	6/2018
CN	305016728 S	1/2019
CN	305025998 S	2/2019
KR	300850174.0000	* 8/2015
WO	2018/067894 A9	4/2018
WO	2019/099746 A1	5/2019

OTHER PUBLICATIONS

<https://discoverkeep.com/> website published Sep. 30, 2019 via wayback machine on <http://web.archive.org/web/20200101123752/>
<https://discoverkeep.com/> (Year: 2019).*
 Online article by Melissa Locker, "Keep Your Legal Weed Secure and Private with This Portable Biometric Smart Safe." Published Aug. 2, 2019 on <https://www.fastcompany.com/90384310/trova-a-portable-biometric-safe-keeps-legal-weed-private> (Year: 2019).*
 Youtube.com, The Apothecarry Case, "Meet the Apothecarry Case." Published on Dec. 2, 2015 minute 2:08 on <https://www.youtube.com/watch?v=K2y9lolptYI> (Year: 2015).*

* cited by examiner

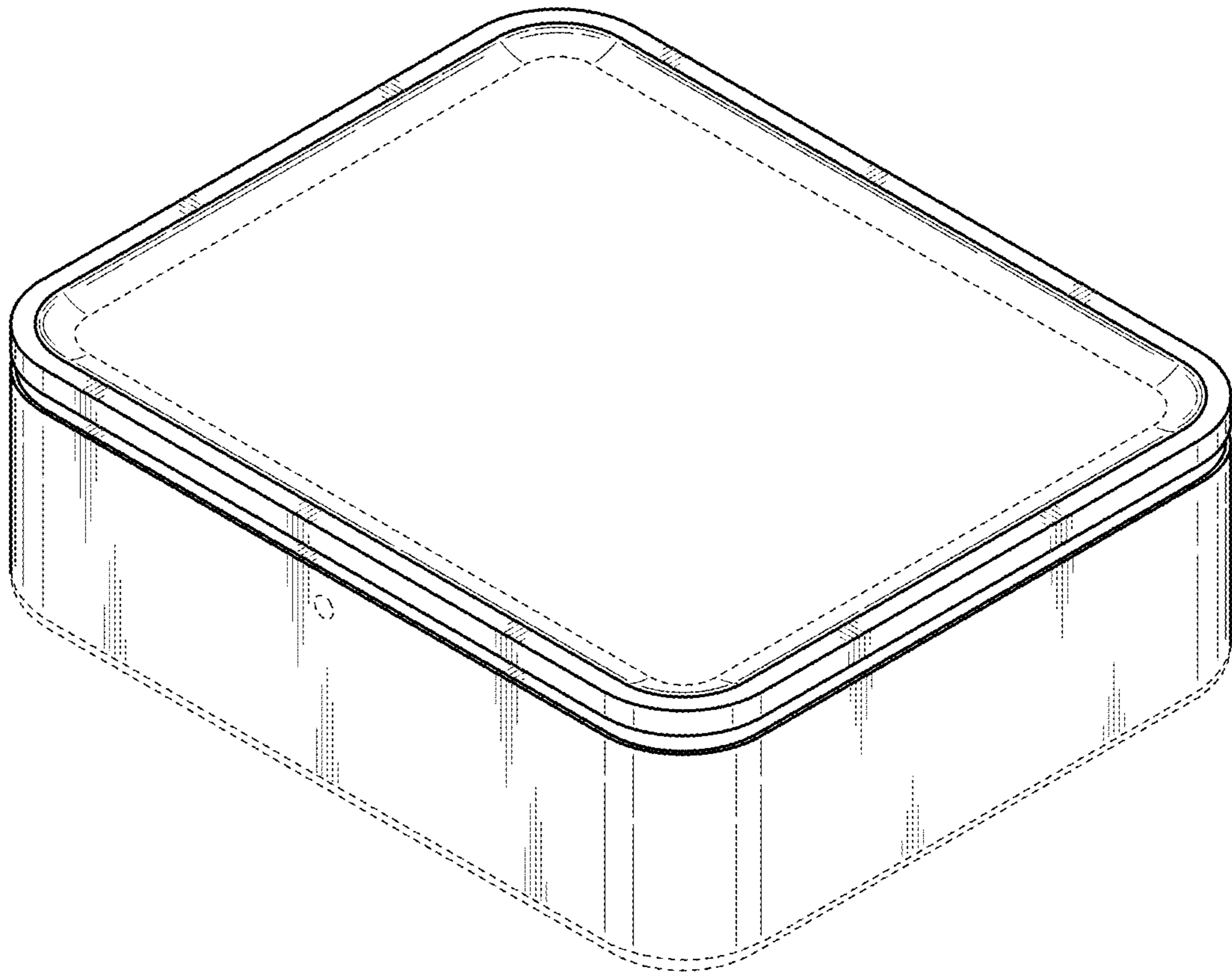


FIG. 1

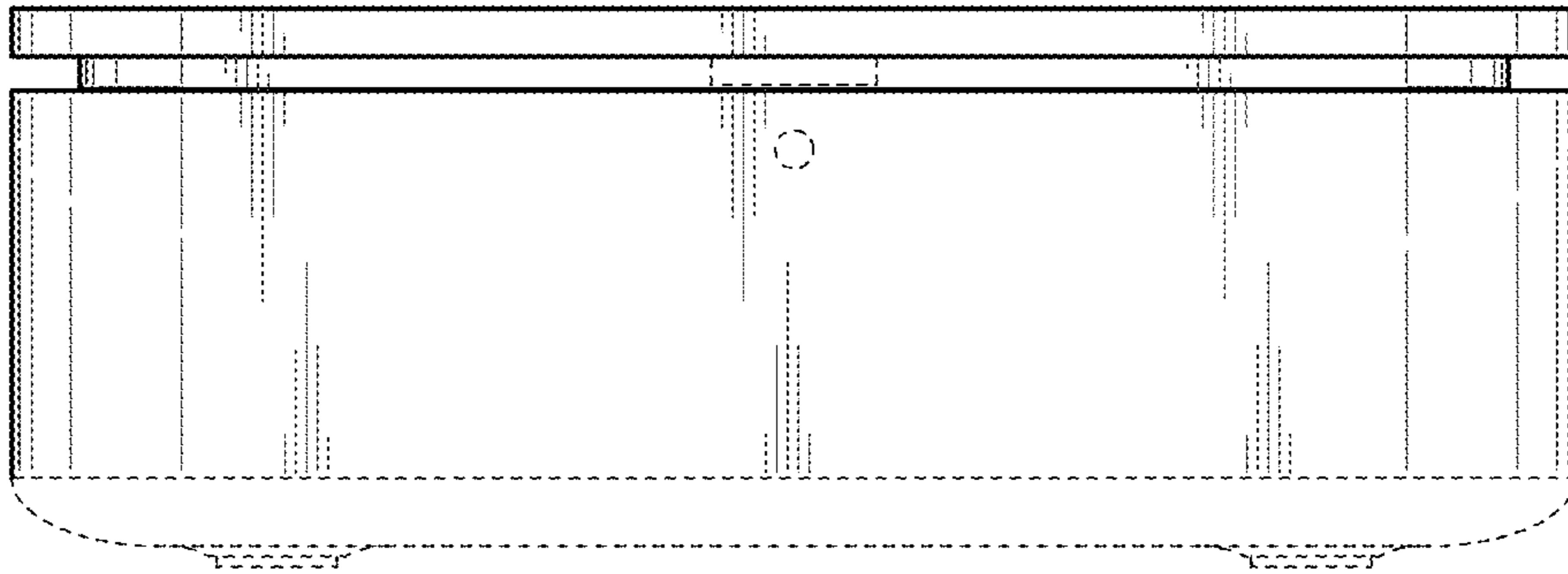


FIG. 2

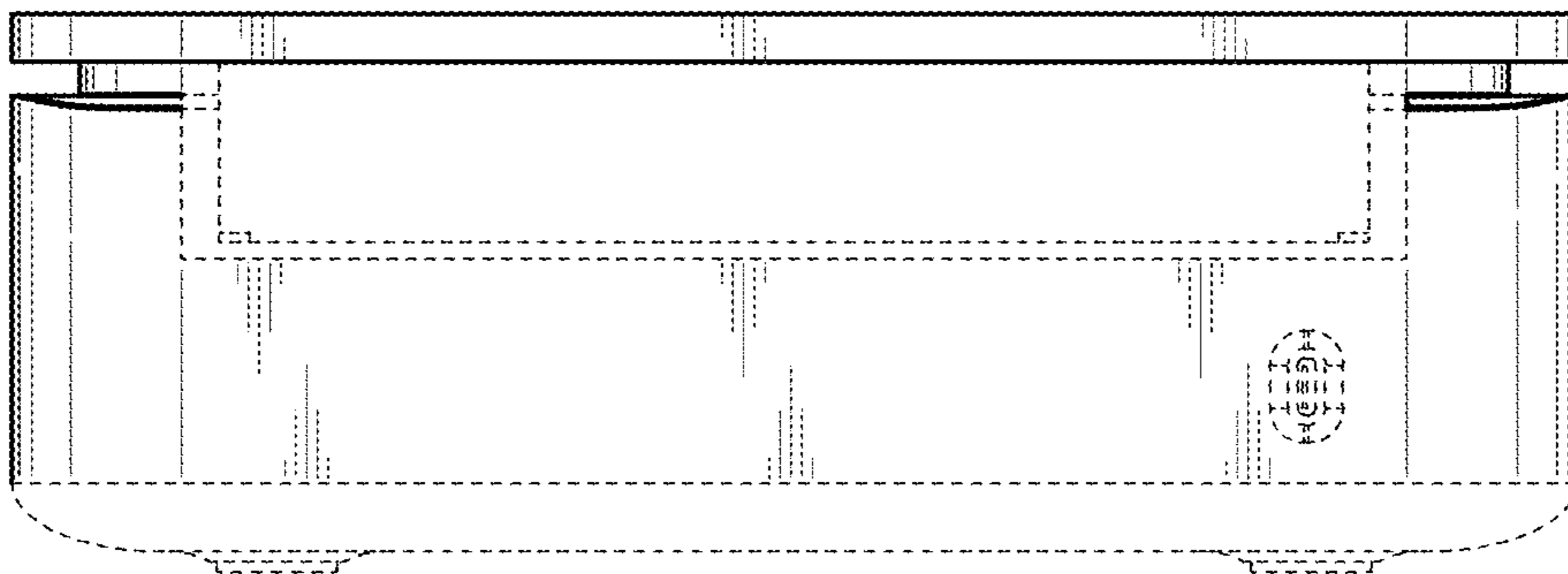


FIG. 3

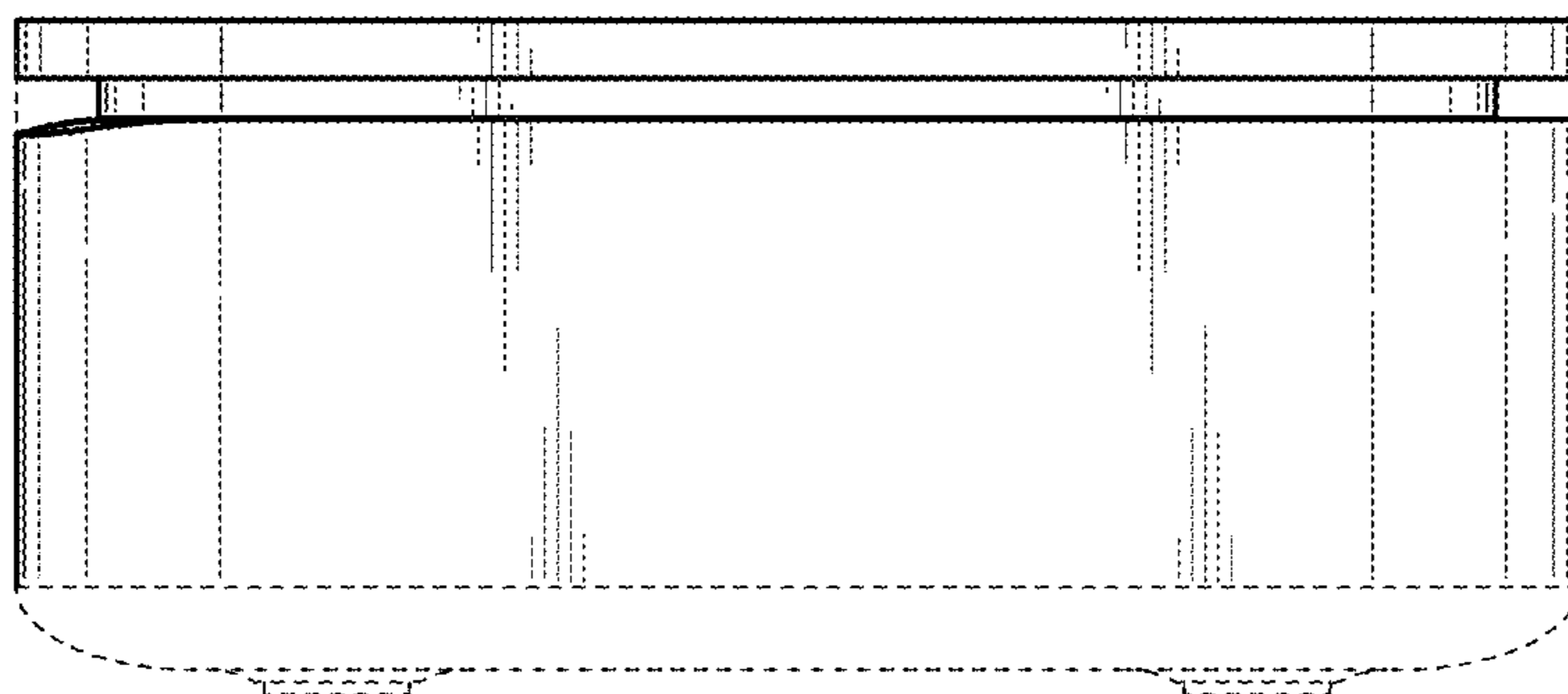


FIG. 4

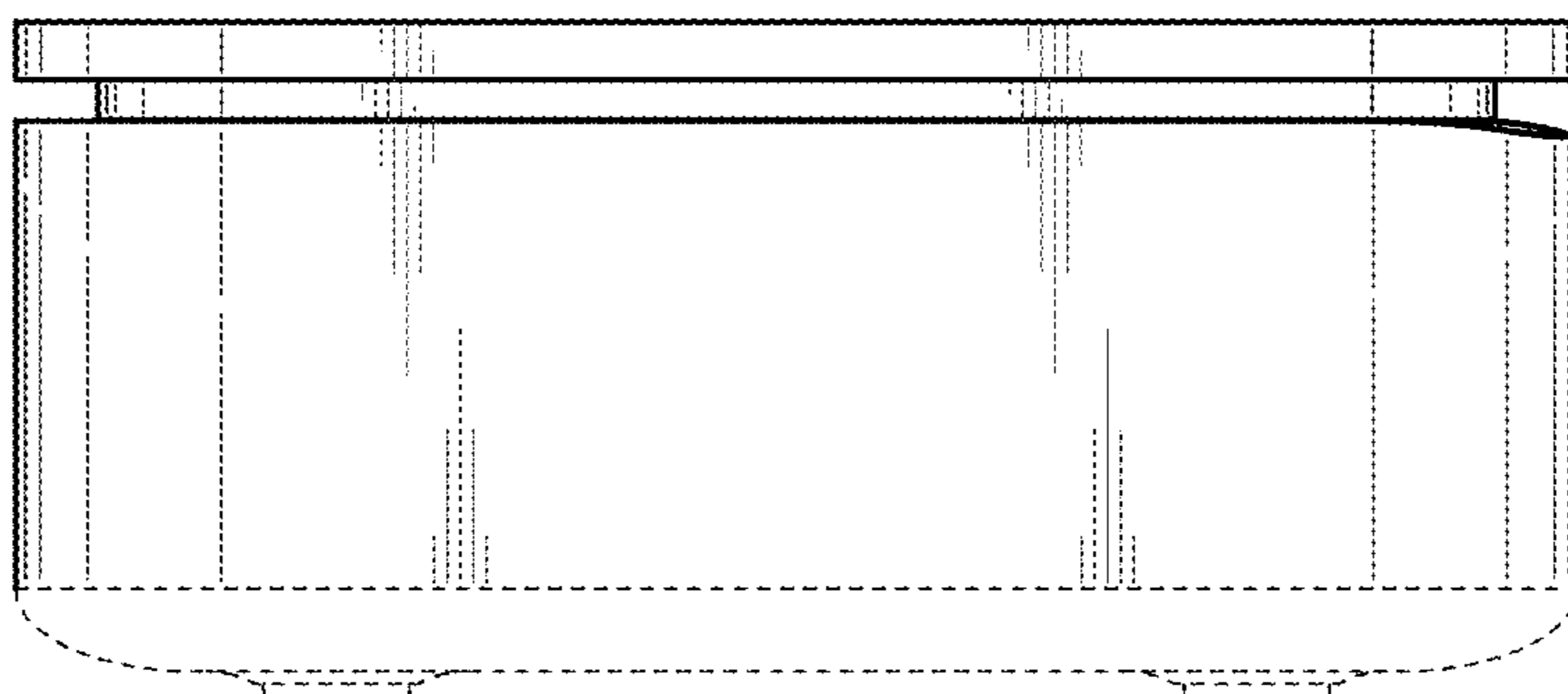


FIG. 5

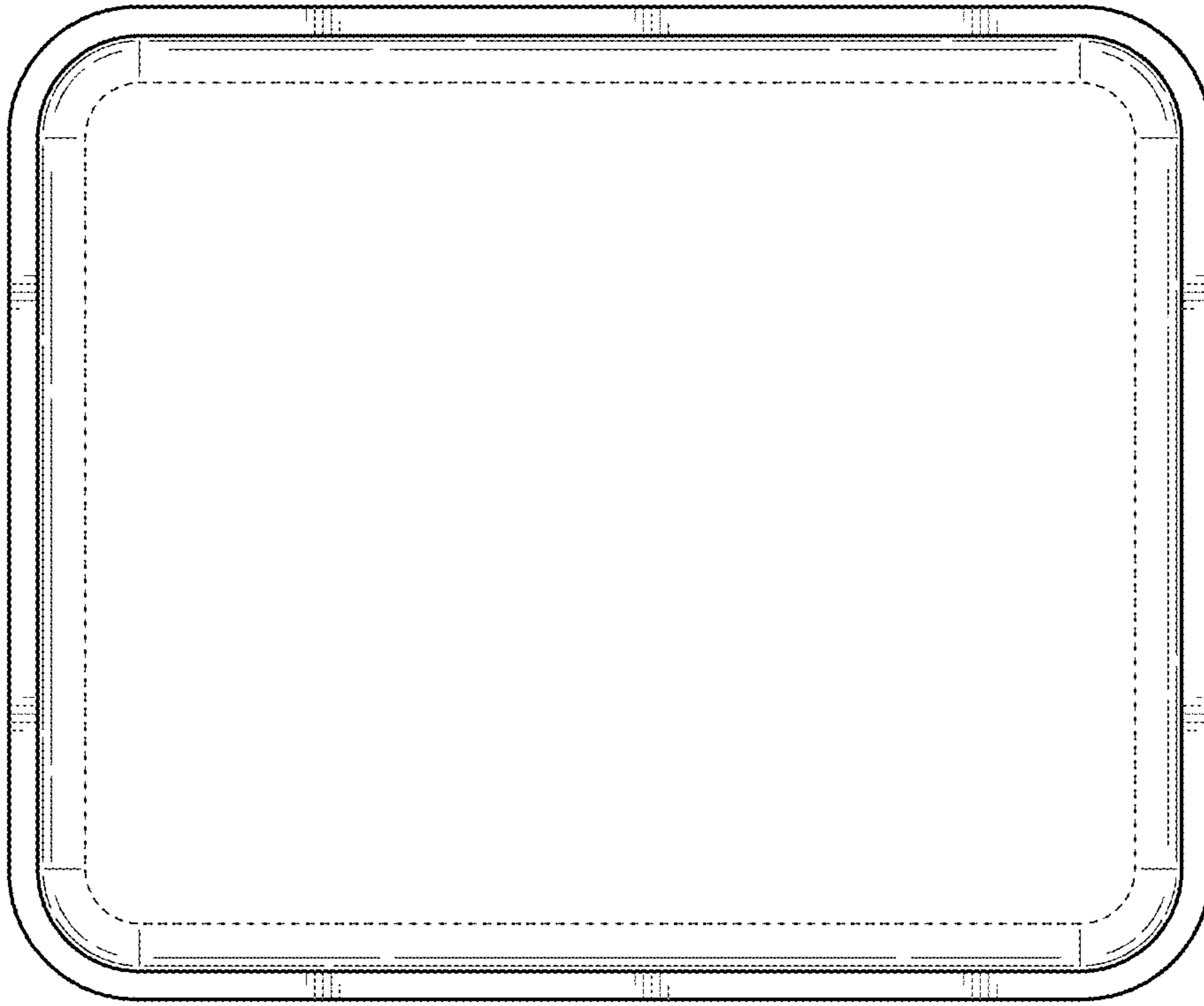


FIG. 6

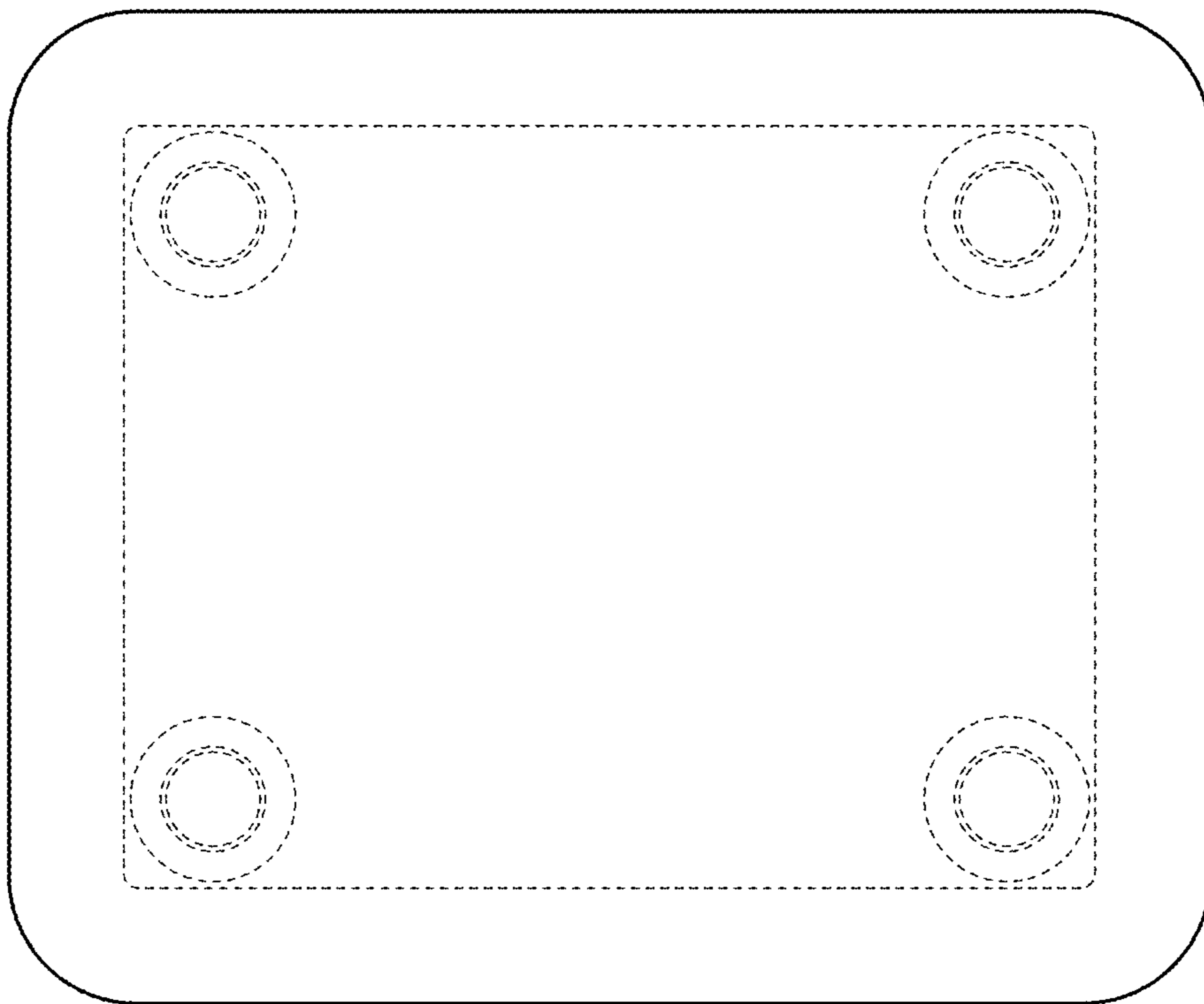


FIG. 7

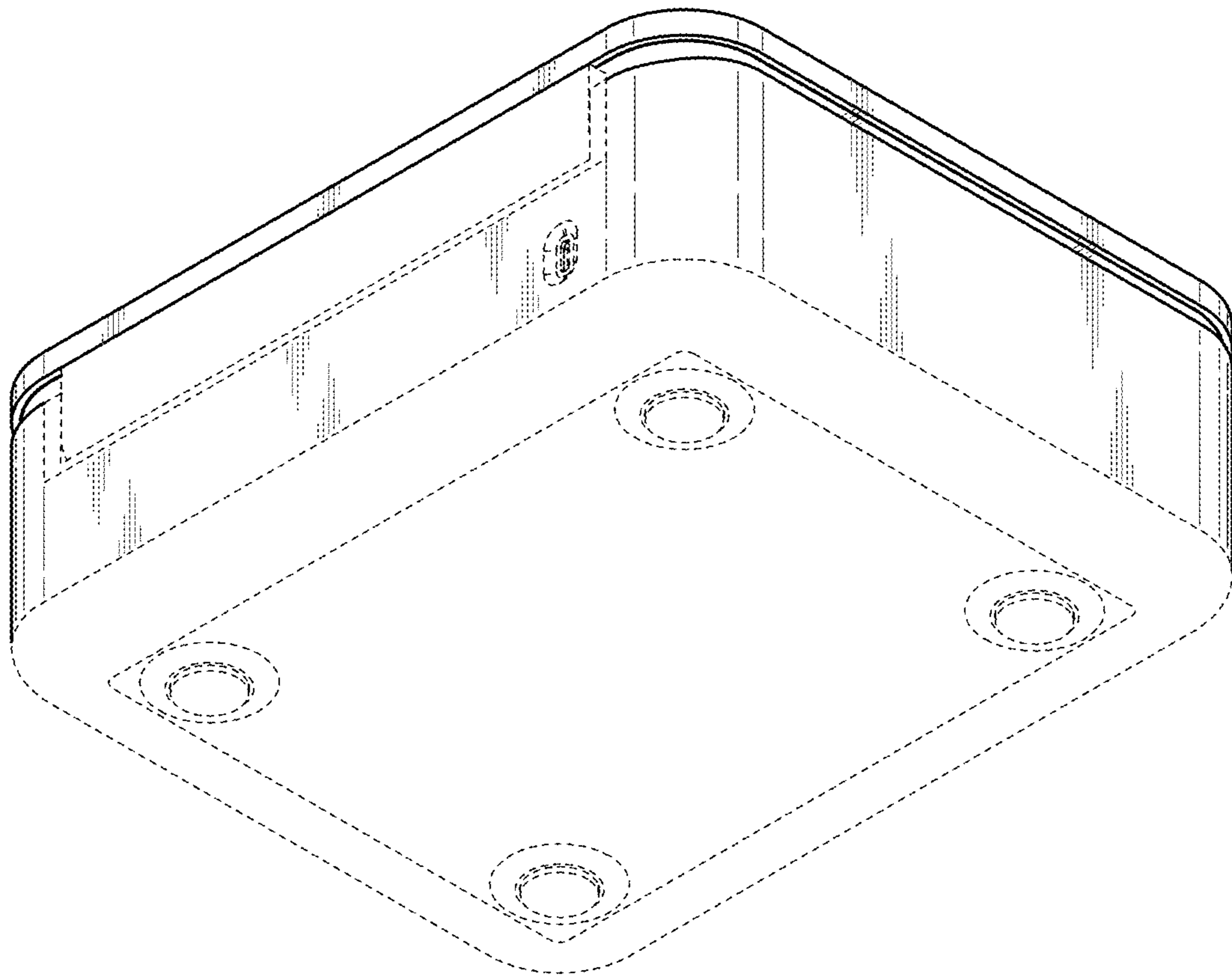


FIG. 8