



US00D948865S

(12) **United States Design Patent**
Tarafder

(10) **Patent No.:** **US D948,865 S**
(45) **Date of Patent:** **** Apr. 19, 2022**

(54) **PILL BOX**
(71) Applicant: **Tabtime Ltd.**, Cheshire East (GB)
(72) Inventor: **Aziz Tarafder**, East Cheshire (GB)
(73) Assignee: **TABTIME LTD.**, Cheshire East (GB)
(**) Term: **15 Years**

6,021,902 A * 2/2000 Wu A61J 7/0409
206/459.1
9,161,885 B1 * 10/2015 Zhou A61J 7/0076
D850,782 S * 6/2019 Lee D3/203.3
D860,636 S * 9/2019 Moody D3/203.3
D898,348 S * 10/2020 Guo D3/203.3
D919,283 S * 5/2021 Guo D3/203.3
2005/0029145 A1 * 2/2005 Krackow A61M 5/002
206/459.5

(Continued)

(21) Appl. No.: **29/735,167**

OTHER PUBLICATIONS

(22) Filed: **May 19, 2020**

TabTime Bamboo Weekly Pill Box, 7 Day Tablet Organizer . . . , first available Jul. 1, 2020, amazon.com [online], [site visited Aug. 23, 2021], Available at internet URL: <https://www.amazon.com/dp/B084FHKM6Z> (Year: 2020).*

(51) **LOC (13) Cl.** **03-01**

(52) **U.S. Cl.**
USPC **D3/203.3**

(Continued)

(58) **Field of Classification Search**
USPC D3/201, 203.1–203.8, 206, 273–274,
D3/294–298, 304, 313–314, 901, 903;
D7/589; D9/730, 732, 737, 756,
D9/759–760; D21/369, 372–373,
D21/392–397; D28/73
CPC A61J 1/00; A61J 1/03; A61J 7/00; A61J
7/02; A61J 7/04; A61J 7/0481; A61J
7/0084; B65B 1/04; B65D 1/00; B65D
1/36; B65D 83/04; B65D 83/0445; B65D
83/0481; B65D 43/16; B65D 43/161;
B65D 43/162; B65D 2583/04; A63F 9/04;
A63F 11/00; A63F 2003/00772–00791;
A63F 2003/00943; F21V 33/00
See application file for complete search history.

Primary Examiner — Jeffrey D Asch
Assistant Examiner — Caitlin A Laverty
(74) *Attorney, Agent, or Firm* — Mitchell Law PLLC;
Matthew W. Mitchell

(57) **CLAIM**

The ornamental design for a pill box, as shown and described.

DESCRIPTION

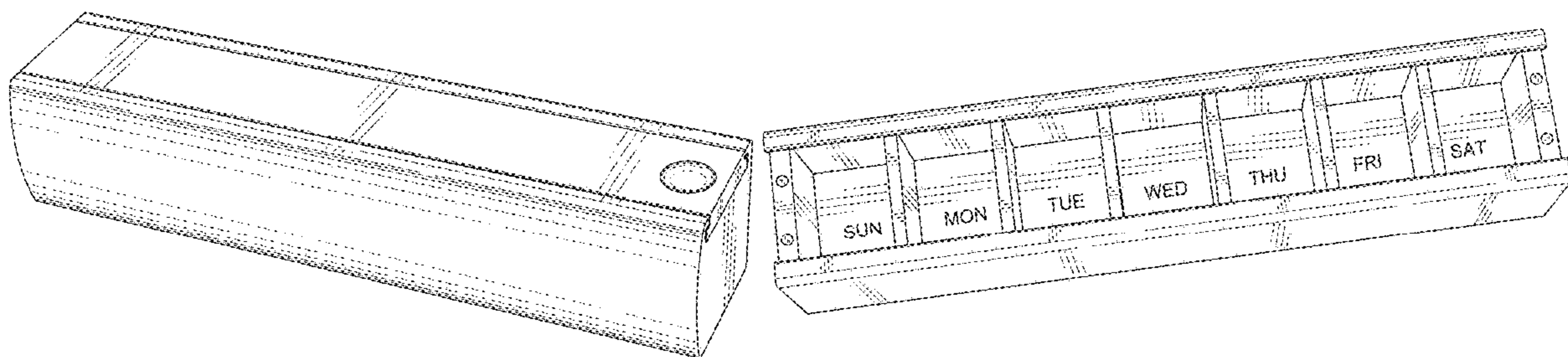
FIG. 1 is a perspective view of the pill box of the present invention;
FIG. 2 is another perspective view with the lid removed to clearly show the interior portions of the design;
FIG. 3 is a top plan view thereof with the lid removed;
FIG. 4 is a top plan view with the lid inserted;
FIG. 5 is a bottom view thereof;
FIG. 6 is a rear-side view thereof;
FIG. 7 is front view thereof;
FIG. 8 is a right-side view thereof; and,
FIG. 9 is a left-side view thereof.

(56) **References Cited**

U.S. PATENT DOCUMENTS

D166,147 S * 3/1952 Dunbar D9/759
4,062,445 A * 12/1977 Moe B65D 43/12
206/1.5
5,299,711 A * 4/1994 Romick B65D 43/12
206/534
5,356,011 A * 10/1994 Romick A61J 1/03
206/534

1 Claim, 9 Drawing Sheets



(56)

References Cited

U.S. PATENT DOCUMENTS

2010/0147735 A1* 6/2010 Musgray A61J 7/04
206/538
2013/0048663 A1* 2/2013 Reichardt A61J 3/078
221/1
2016/0095797 A1* 4/2016 Hartley A61J 7/0481
340/540
2018/0185241 A1* 7/2018 Schmoyer A47B 81/00
2019/0224077 A1* 7/2019 Stein A61J 7/0076
2020/0115102 A1* 4/2020 Hawry A61J 7/0069

OTHER PUBLICATIONS

Natural Acacia Wood 7 Day Weekly Pill Box, first available Oct. 12, 2020, amazon.com [online], [site visited Aug. 23, 2021], Available at internet URL: <https://www.amazon.com/dp/B08L45X1RY> (Year: 2020).*

Jumbo Forest Moon 7 Day Pill Box, available from Feb. 27, 2020 based on customer photo review, etsy.com [online], [site visited Aug. 23, 2021], Available at internet URL: <https://www.etsy.com/listing/701827422/jumbo-forest-moon-7-day-pill-box-weekly?ref=related-6&frs=1> (Year: 2020).*

* cited by examiner

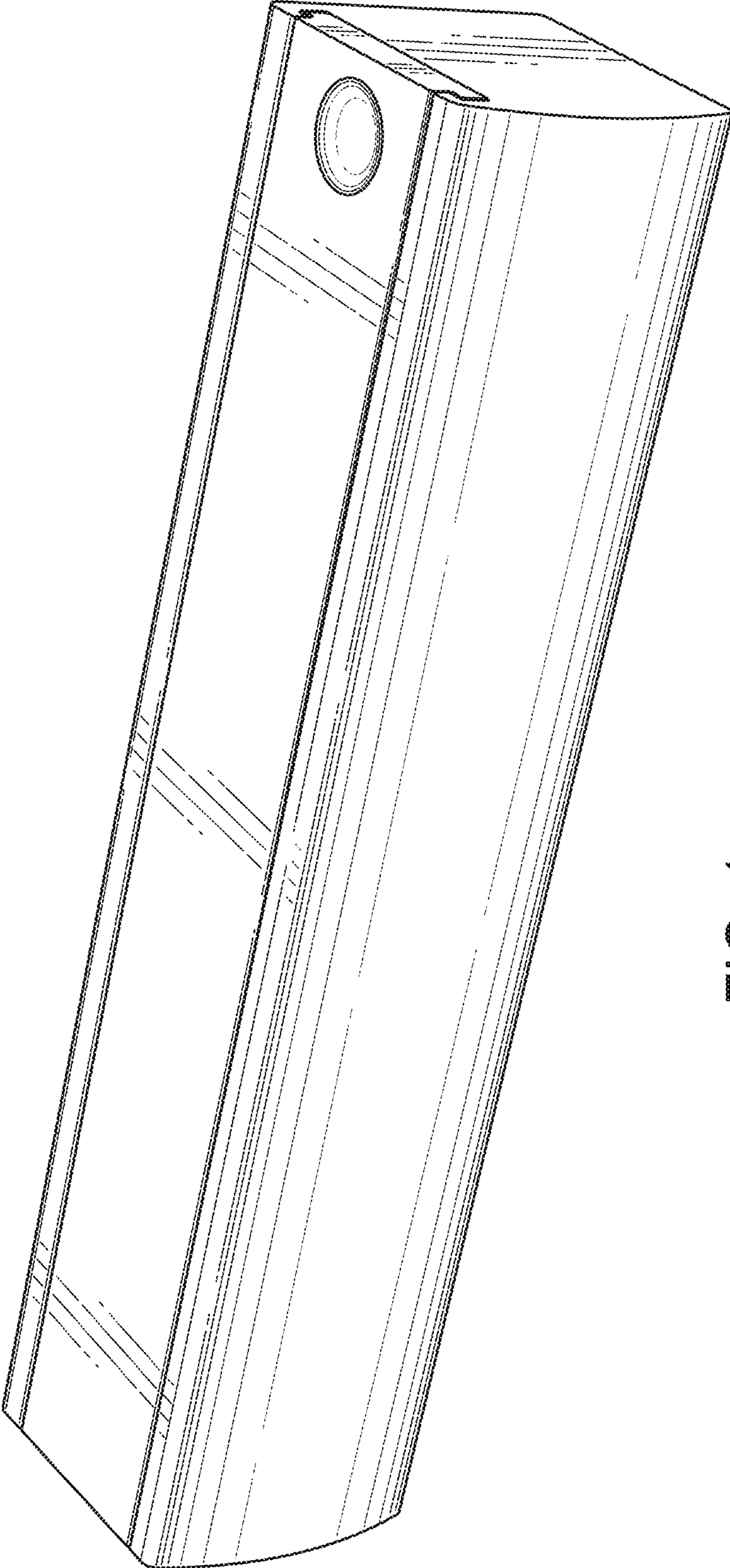


FIG. 1

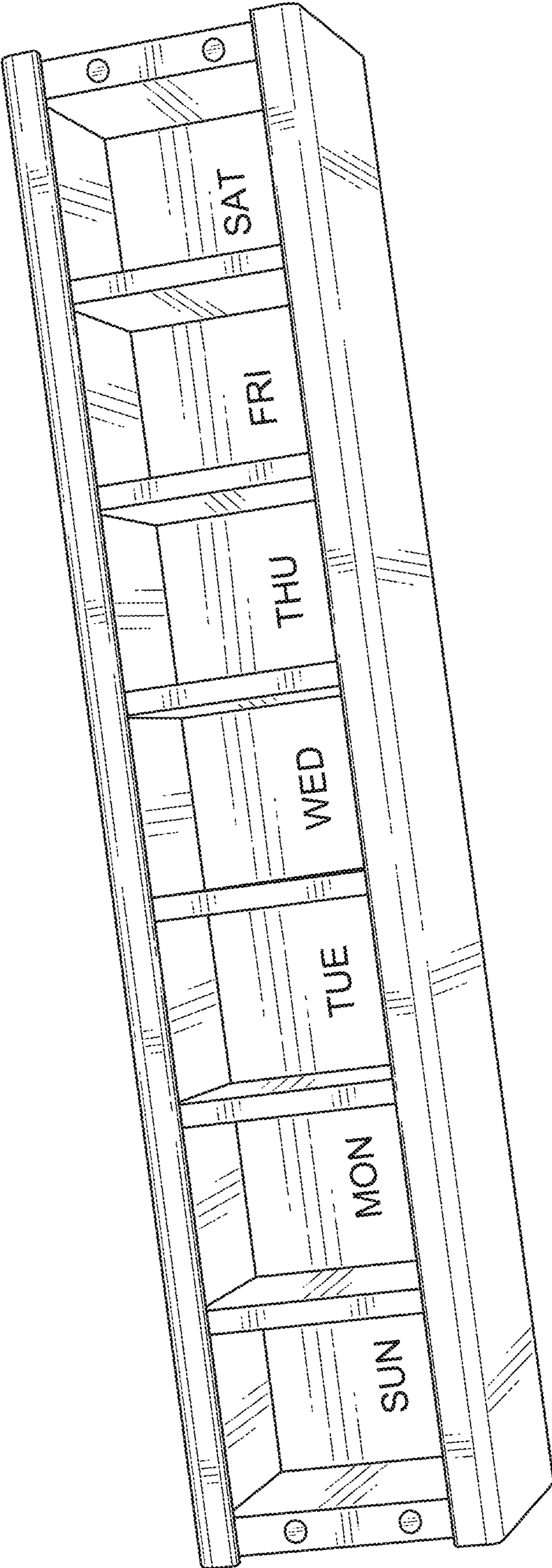


FIG. 2

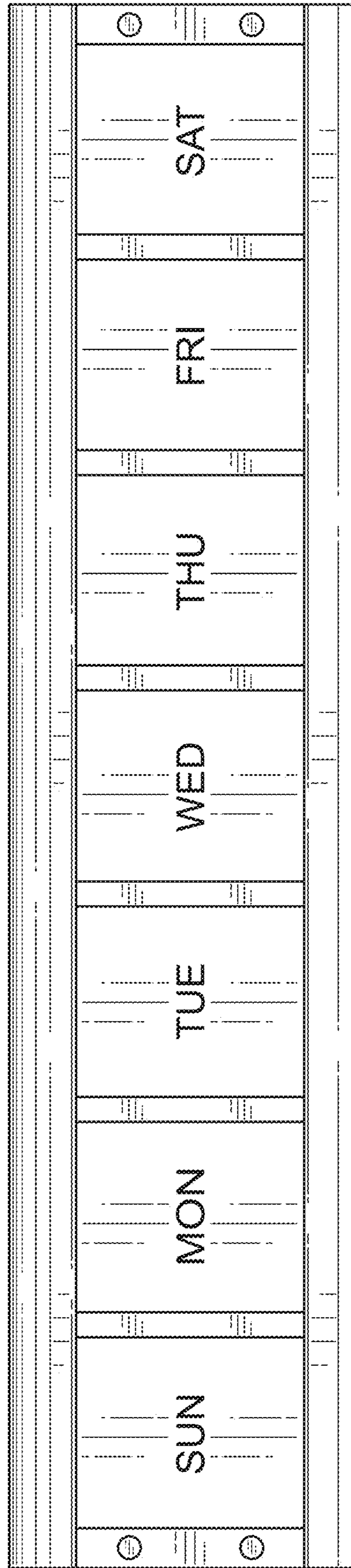


FIG. 3

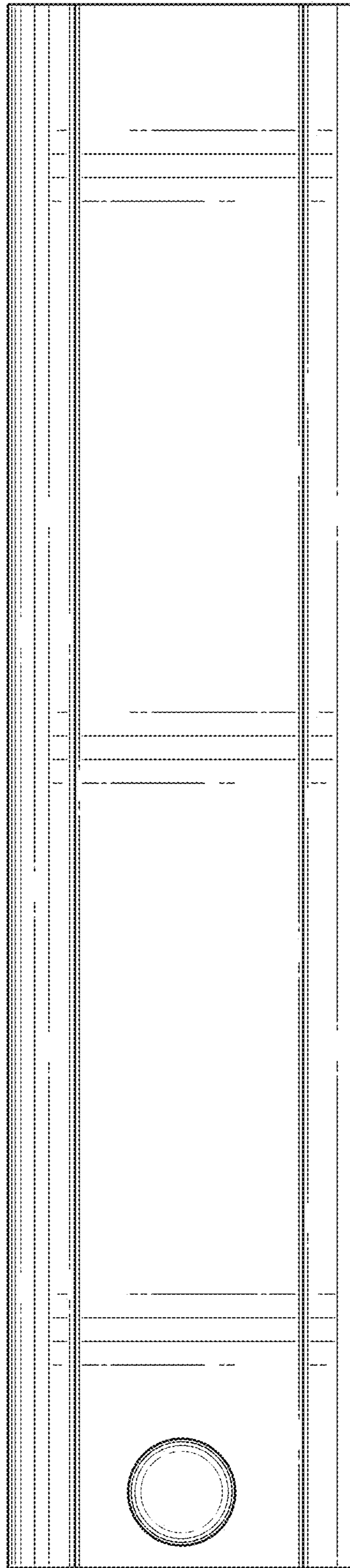


FIG. 4

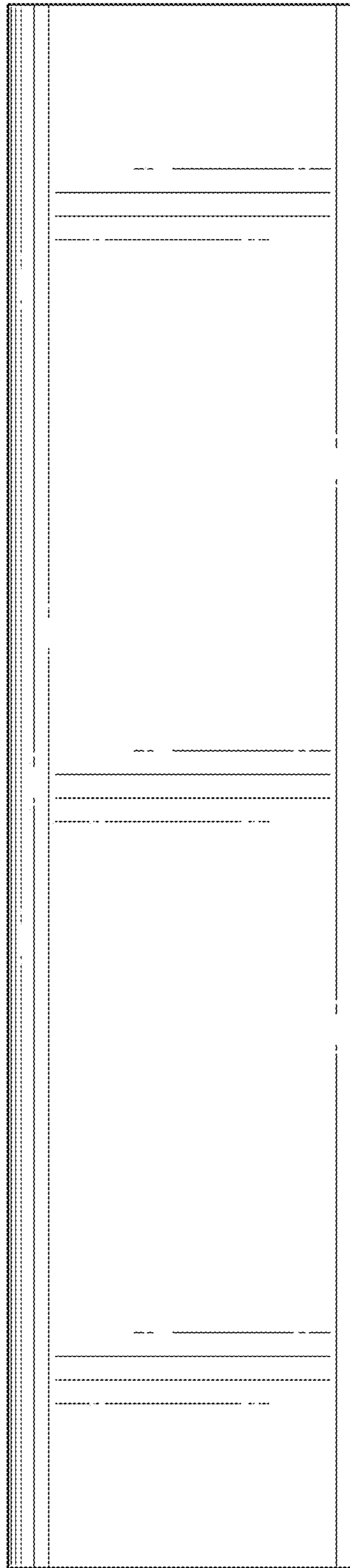


FIG. 5

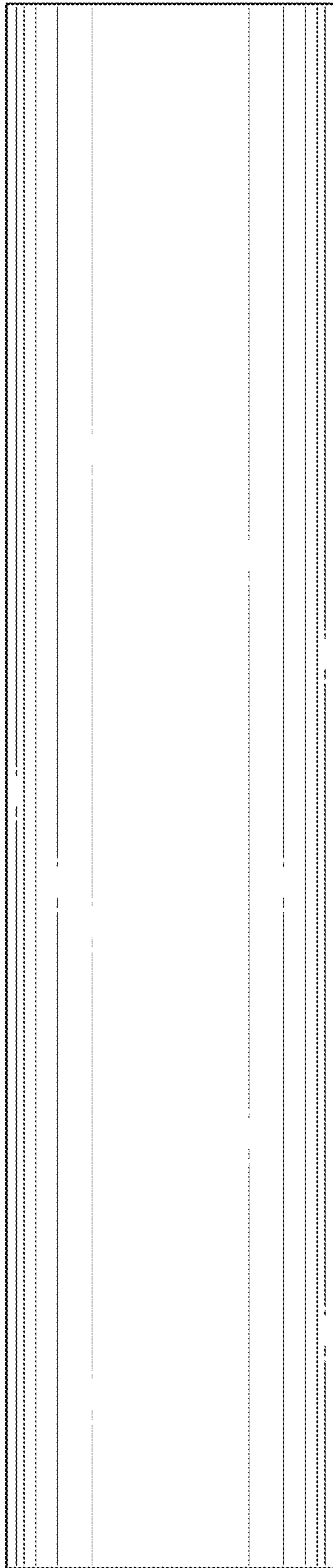


FIG. 6

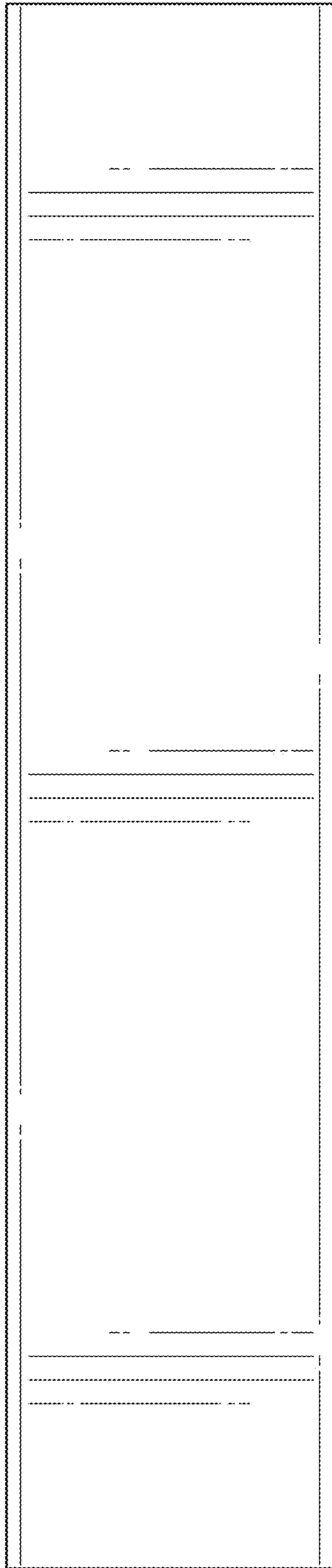


FIG. 7

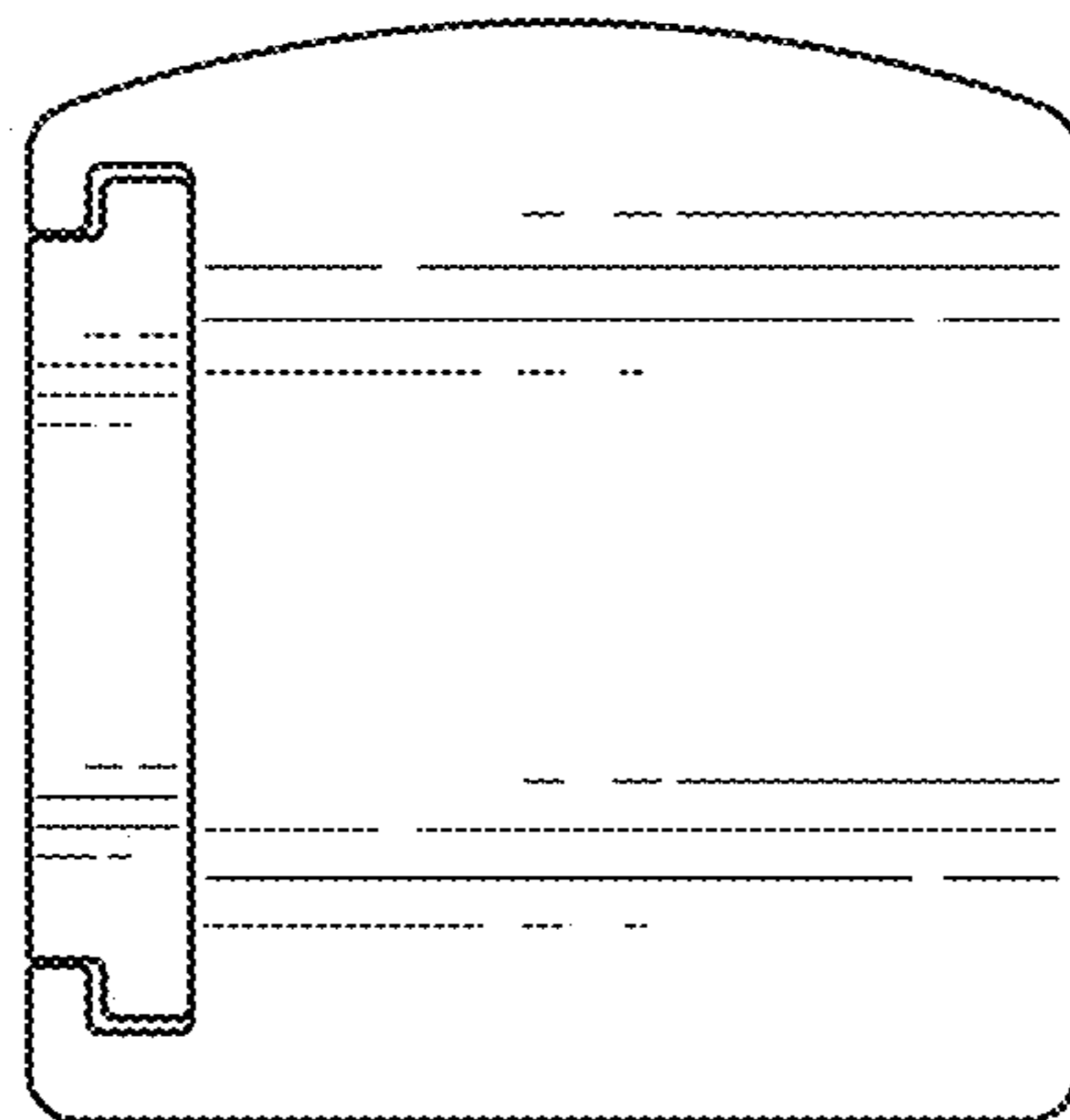


FIG. 8

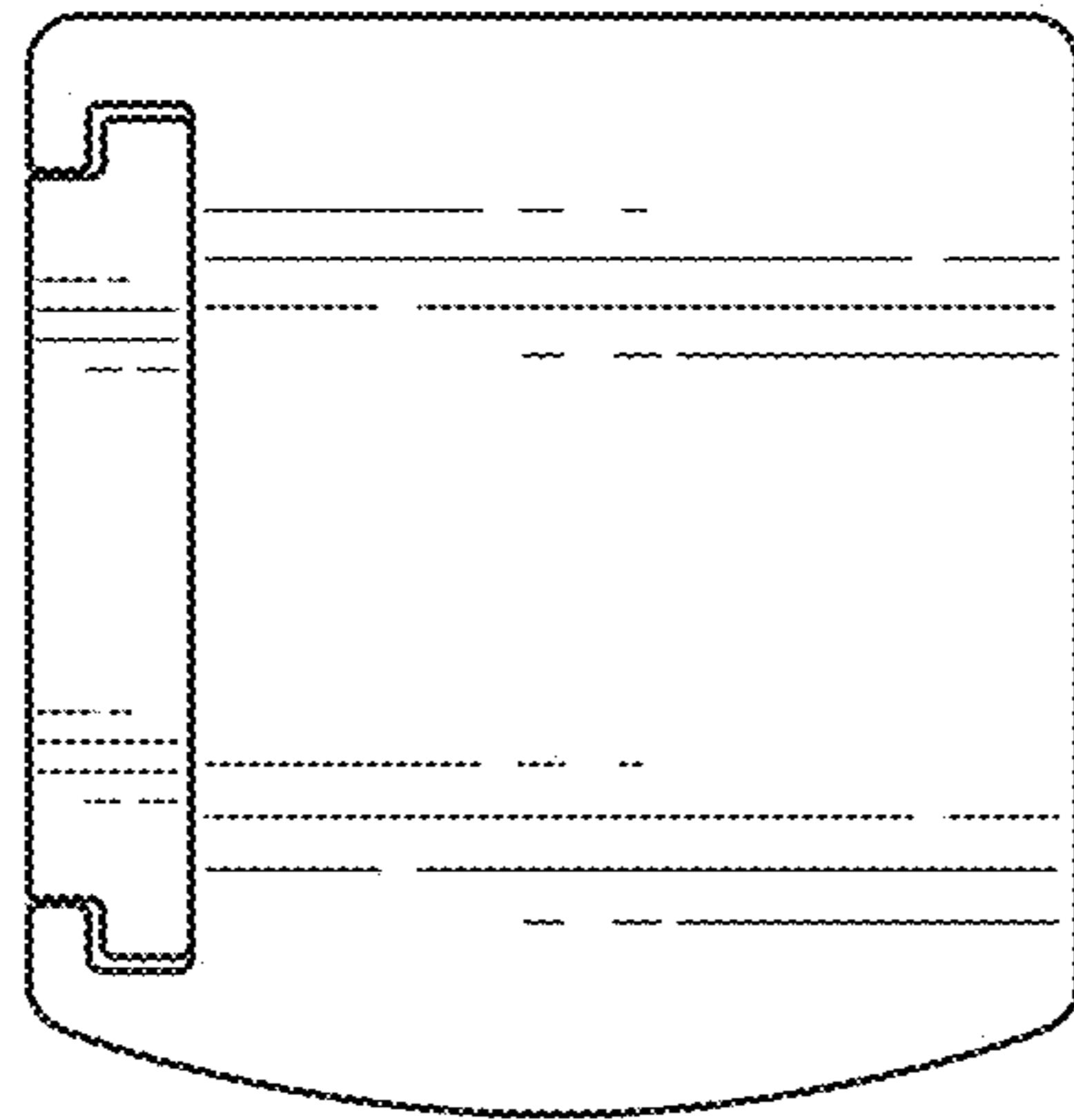


FIG. 9