



US00D948848S

(12) **United States Design Patent** (10) **Patent No.:** **US D948,848 S**
Guzman et al. (45) **Date of Patent:** **** Apr. 19, 2022**

(54) **SHOE**
(71) Applicant: **Converse Inc.**, Boston, MA (US)
(72) Inventors: **Julian Guzman**, Boston, MA (US);
Amy Nicole Rauner, Somerville, MA (US)
(73) Assignee: **Converse Inc.**, Boston, MA (US)
(**) Term: **15 Years**
(21) Appl. No.: **29/776,031**
(22) Filed: **Mar. 26, 2021**
(51) **LOC (13) Cl.** **02-04**
(52) **U.S. Cl.**
USPC **D2/947**
(58) **Field of Classification Search**
USPC D2/902, 906, 908, 916, 918, 925,
D2/946-962, 977; 36/3 B, 22 R, 24.5,
36/25 R, 28, 32 R, 34 R, 59 C, 67 A, 103
CPC A43B 13/00; A43B 13/02; A43B 13/023;
A43B 13/026; A43B 13/04; A43B 13/08;
A43B 13/10; A43B 13/12; A43B 13/14;
A43B 13/141; A43B 13/143; A43B
13/16; A43B 13/18; A43B 13/181; A43B
13/187; A43B 13/189; A43B 13/20; A43B
13/22; A43B 13/223; A43B 13/24; A43B
13/28; A43B 13/30; A43B 13/32; A43B
13/34; A43B 13/36
See application file for complete search history.

(56) **References Cited**
U.S. PATENT DOCUMENTS
3,615 A * 6/1844 McCauley A43B 13/12
36/31
46,061 A * 1/1865 Adamson C14B 1/00
69/21
96,412 A * 11/1869 Flynn A43B 7/125
36/14

D31,294 S * 7/1899 Fuller A43B 13/38
D2/947
872,762 A * 12/1907 Shillaber A43B 13/145
36/25 R
1,296,518 A * 3/1919 Keys A43B 13/12
12/146 B
D129,487 S * 9/1941 Kardo-Sessoeff D2/950
D144,460 S * 4/1946 Kowal D2/950
2,435,668 A * 2/1948 Behringer A43B 5/00
36/11.5
2,580,840 A * 1/1952 Rogndal A43B 13/223
36/29
D178,700 S * 9/1956 Sandler D2/918
(Continued)

OTHER PUBLICATIONS

Application No.: Not Yet Assigned filed Mar. 26, 2021.
(Continued)

Primary Examiner — T Chase Nelson
(74) *Attorney, Agent, or Firm* — Banner & Witcoff, Ltd.

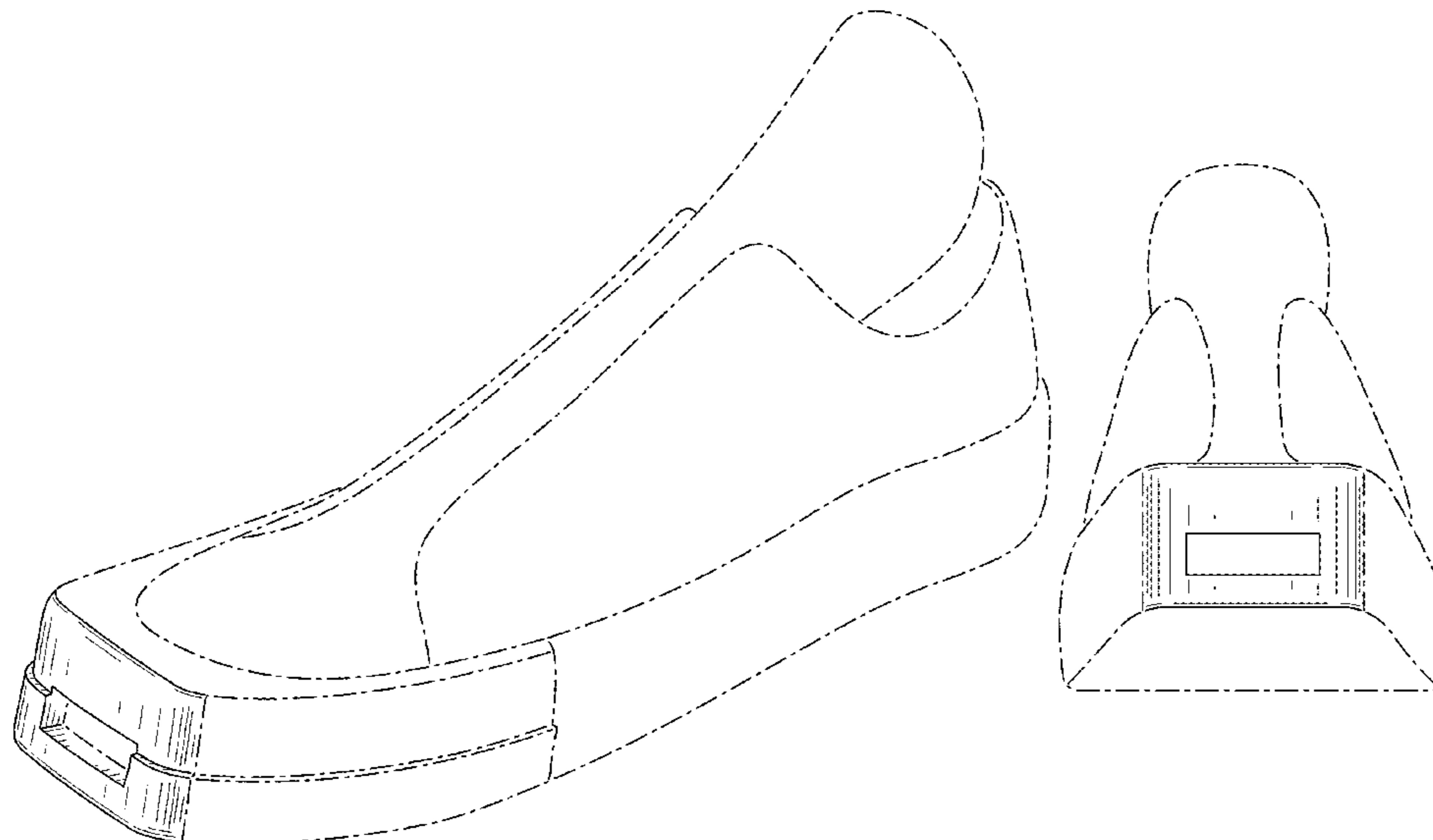
(57) **CLAIM**

The ornamental design for a shoe, as shown and described.

DESCRIPTION

FIG. 1 is a front perspective view of a shoe showing our new design;
FIG. 2 is a front view thereof;
FIG. 3 is an opposite side front perspective view thereof;
FIG. 4 is a front perspective view of a shoe showing an alternative embodiment of our new design;
FIG. 5 is a front view thereof; and,
FIG. 6 is an opposite side front perspective view thereof.
The broken lines immediately adjacent to the shaded area define the bounds of the claimed design and form no part thereof. The broken lines depicting the remainder of the shoe form no part of the claimed design.

1 Claim, 6 Drawing Sheets



(56)

References Cited

U.S. PATENT DOCUMENTS

D185,289 S * 5/1959 Kadlec A43B 13/20
D212,521 S * 10/1968 Herunter A43B 3/0094
D244,886 S * 7/1977 Perser D2/914
D251,757 S * 5/1979 Pelfrey D2/914
4,937,954 A * 7/1990 Clement A43B 3/0094
36/127
D331,491 S 12/1992 Ohno
5,301,442 A * 4/1994 Williams A43B 5/001
36/127
D348,763 S * 7/1994 Judd A43B 17/105
D357,570 S * 4/1995 Parisotto A43B 21/26
D387,192 S * 12/1997 Srourian D2/947
D400,694 S * 11/1998 Kang D2/919
5,930,918 A * 8/1999 Healy A43B 13/20
36/29
D414,019 S * 9/1999 Kang A43B 3/0094
D2/916
D418,662 S 1/2000 Bergmans
D452,362 S 12/2001 Mastroianni et al.
D462,157 S 9/2002 Burt
D485,974 S 2/2004 Zimmer
D498,902 S * 11/2004 Adams D2/947
D513,111 S 12/2005 Caine
D513,837 S 1/2006 Carnes
D520,725 S 5/2006 Duclos
D534,712 S 1/2007 Darby, II
D555,332 S 11/2007 Liles
D555,333 S 11/2007 Riebesell
D588,793 S 3/2009 Dillenbeck et al.
D594,219 S 6/2009 Dillenbeck et al.
D603,587 S 11/2009 Boone et al.
D611,692 S 3/2010 Bizzo
D618,897 S 7/2010 Liles
D619,797 S 7/2010 Liles
D675,003 S 1/2013 Leon et al.
D685,983 S 7/2013 Winskowicz
D700,422 S 3/2014 Rauner
D700,771 S 3/2014 Rauner
D709,273 S 7/2014 Winskowicz
D709,679 S 7/2014 Winskowicz
D790,818 S 7/2017 Mondesir
D799,800 S 10/2017 Engel
D809,279 S 2/2018 Blauer et al.
D811,701 S 3/2018 Taestensen
D864,529 S 10/2019 Kasprzak et al.
D873,539 S 1/2020 Platz
D876,769 S * 3/2020 Aden D2/947
D876,798 S * 3/2020 Aden D2/972
D885,021 S 5/2020 Nakamura
D895,240 S * 9/2020 Schultze D2/947
D901,140 S 11/2020 Comeaux
D903,990 S * 12/2020 Ransan D2/946
D905,394 S * 12/2020 Schultze A43B 5/04
D2/947
D911,686 S * 3/2021 Petrenka A43B 13/145
D2/954
D911,694 S * 3/2021 Matthews A43B 13/12
D2/972
D914,342 S * 3/2021 Petrenka D2/953
D919,943 S * 5/2021 Zhang C14B 1/00
D2/916
D923,922 S * 7/2021 Winskowicz D2/906
D929,097 S * 8/2021 Winskowicz A43B 9/00
D2/957
D932,164 S * 10/2021 Wang A43B 13/20
D2/957

2004/0211091 A1 * 10/2004 Heierling A43B 5/04
36/117.1
2005/0076539 A1 * 4/2005 Klein A43B 13/36
36/101
2005/0132608 A1 * 6/2005 Dojan A43B 13/20
36/29
2005/0132610 A1 * 6/2005 Foxen A43B 21/28
36/29
2005/0262733 A1 * 12/2005 Dean A43B 13/38
36/34 R
2006/0117599 A1 * 6/2006 Deem A43B 13/187
36/3 B
2007/0227044 A1 * 10/2007 Maxson A43B 17/105
36/44
2008/0201984 A1 * 8/2008 Dojan A43B 13/20
36/29
2010/0281711 A1 * 11/2010 Vestuti A43B 21/26
36/28
2014/0109440 A1 * 4/2014 McDowell A43B 9/00
36/103
2017/0188655 A1 * 7/2017 Carlson A63C 17/00
2018/0289098 A1 * 10/2018 Downing B23K 26/364

OTHER PUBLICATIONS

“These are the Best Converse Sneakers, According to Thousands of Customer Reviews”; She Finds; retrieved Mar. 17, 2021; published Mar. 16, 2018; URL: <<https://www.shefinds.com/collections/best-converse-sneakers-reviewed/#slide-1>>.
“Clean Leather Platform Chuck Taylor All Star”; Converse; retrieved Mar. 17, 2021; published date unknown, but prior to application filing date; URL: <<https://www.converse.com/shop/p/clean-leather-platform-chuck-taylor-all-star-womens-high-top-shoe/561676MP.html?>>.
“Squared vs. Curved Toe Shape Dress Shoes | Which One Wins? | 3 Pros For Square & Curve Toed Shoes”; Real Men Real Style; retrieved Mar. 17, 2021; published date unknown, but prior to application filing date; URL: <<https://www.realmenrealstyle.com/square-versus-round-toe-shoes/>>.
Nike Footwear Catalog, 1973 Blue Ribbon Sports p. 4, published date unknown, but prior to the filing date of the present application, Nike, Inc., USA.
Nike Footwear Catalog, 1981 Shoe Show, p. 4, published Jan. 1981, Nike, Inc., USA.
Nike Footwear Catalog, 1986 Spring Performance, p. 32, published Jan. 1986, Nike, Inc., USA.
Nike Footwear Catalog, 1989 Fall Footwear, p. 76, published Mar. 1988, Nike, Inc., USA.
Nike Footwear Catalog, 1991 Spring Footwear, p. 138, published Jun. 1990, Nike, Inc., USA.
Nike Footwear Catalog, 1995 Spring Footwear, p. 68, published Jun. 1994, Nike, Inc., USA.
Nike Footwear Catalog, 1996 Fall Footwear, p. 54, published Dec. 1995, Nike, Inc., USA.
Nike Footwear Catalog, 1997 Fall Footwear, p. 126, published Mar. 1996, Nike, Inc., USA.
Nike Footwear Catalog, 1999 Spring Men’s Specialty and Women’s & Kids’ Footwear, p. M61, published Mar. 1999, Nike, Inc., USA.
Nike Footwear Catalog, 2001 Fall Men’s and Women’s Footwear, p. K104, published Nov. 1999, Nike, Inc., USA.
Nike Footwear Catalog, 2010 Fall Sportswear Urban Good Footwear, p. 5, published Nov. 2009, Nike, Inc., USA.
Nike Footwear Catalog, 2016 Spring General Footwear NA, p. 7, published May 2015, Nike, Inc., USA.
Nike Footwear Catalog, 2019 Fall Category Specialty Action Sports, p. 492, published date unknown, but prior to the filing date of the present application, Nike, Inc., USA.

* cited by examiner

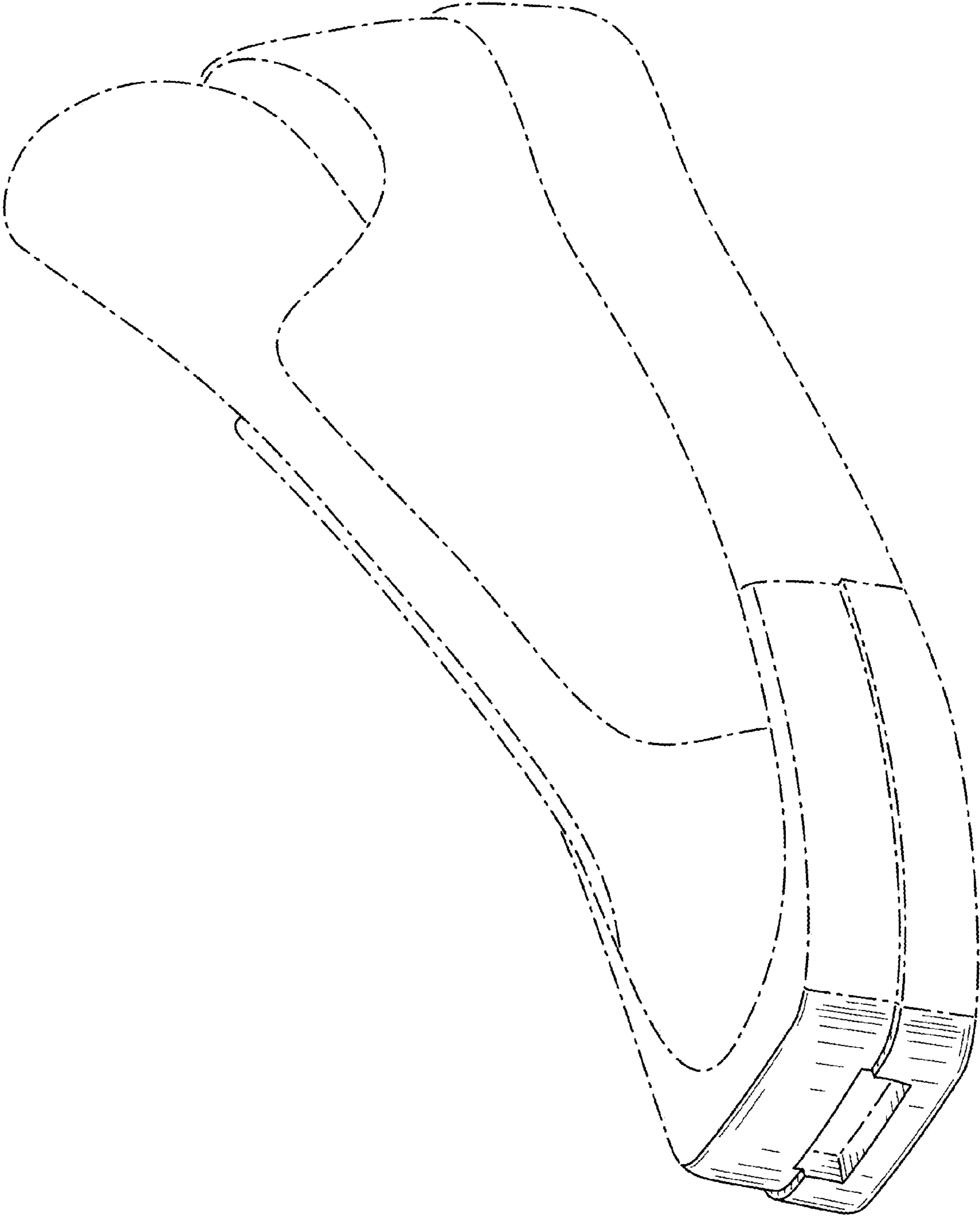


FIG. 1

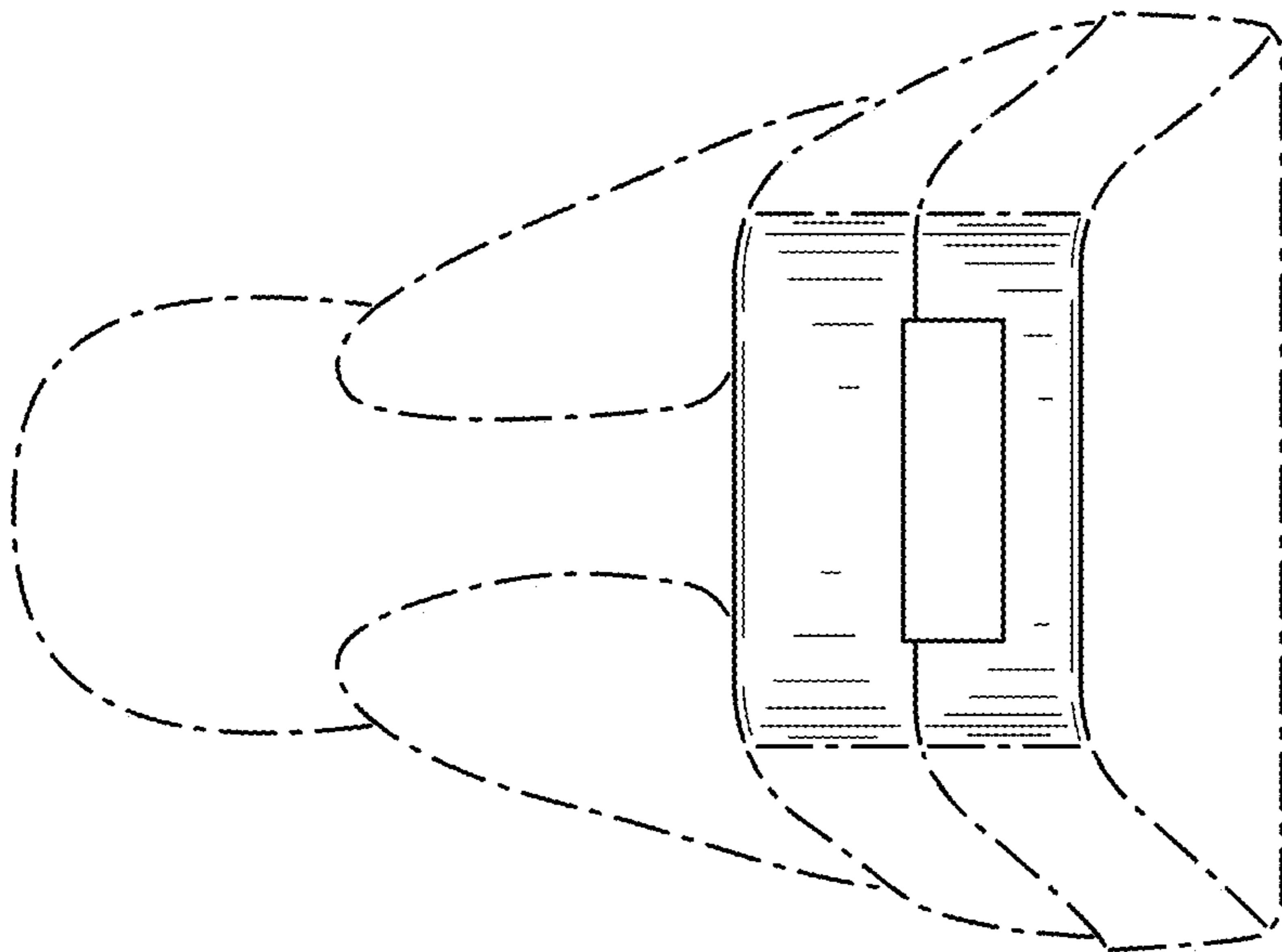


FIG. 2

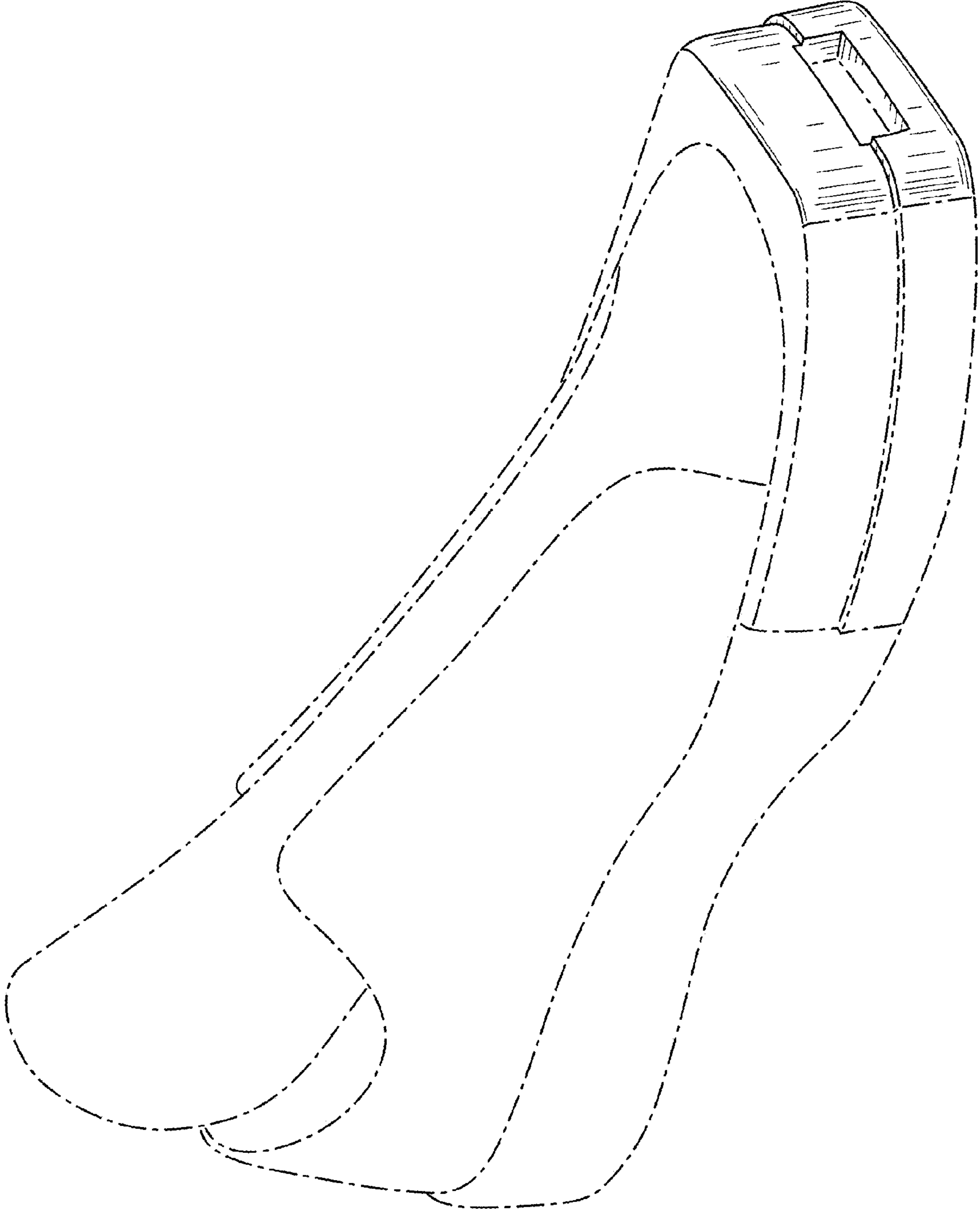


FIG. 3

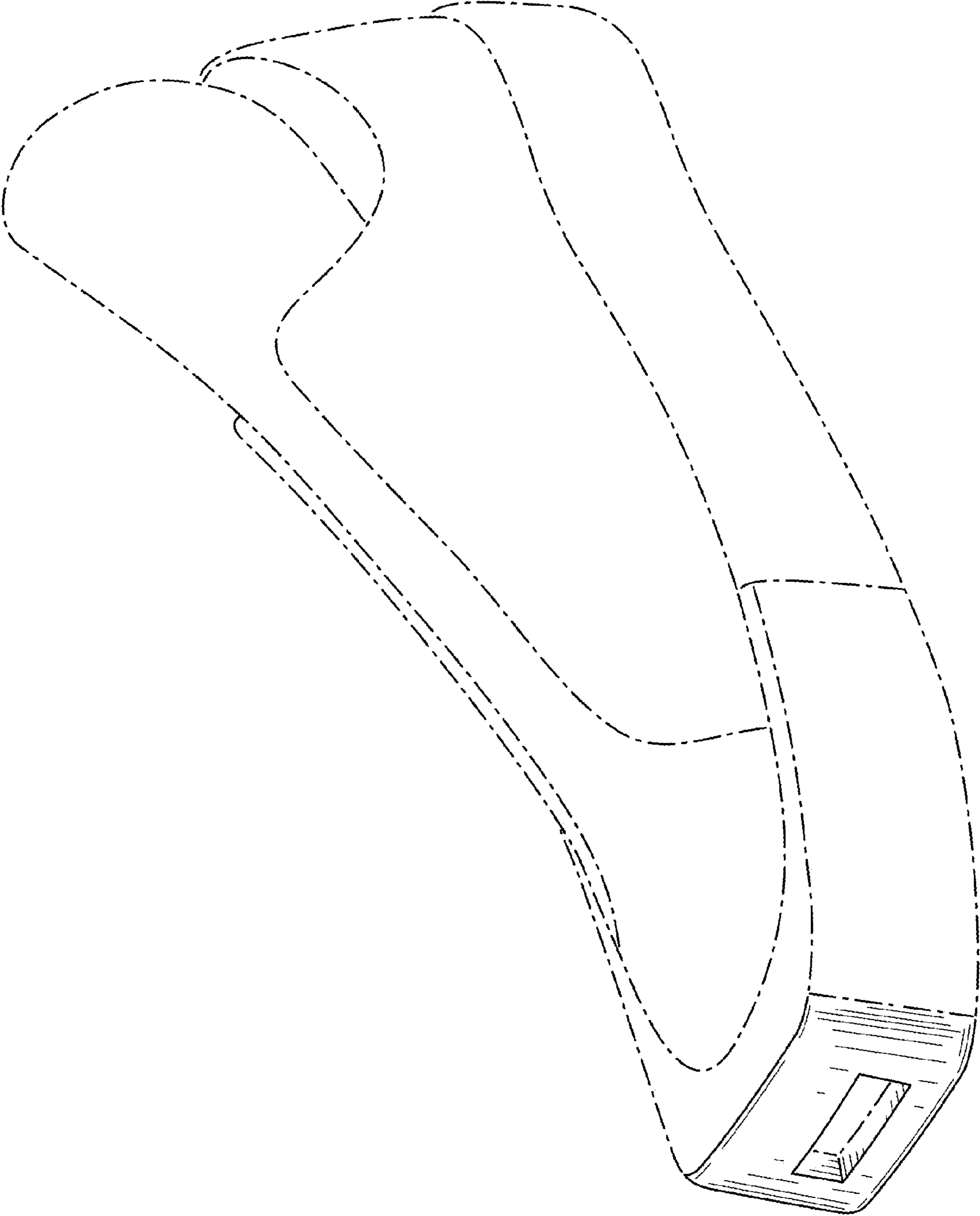


FIG. 4

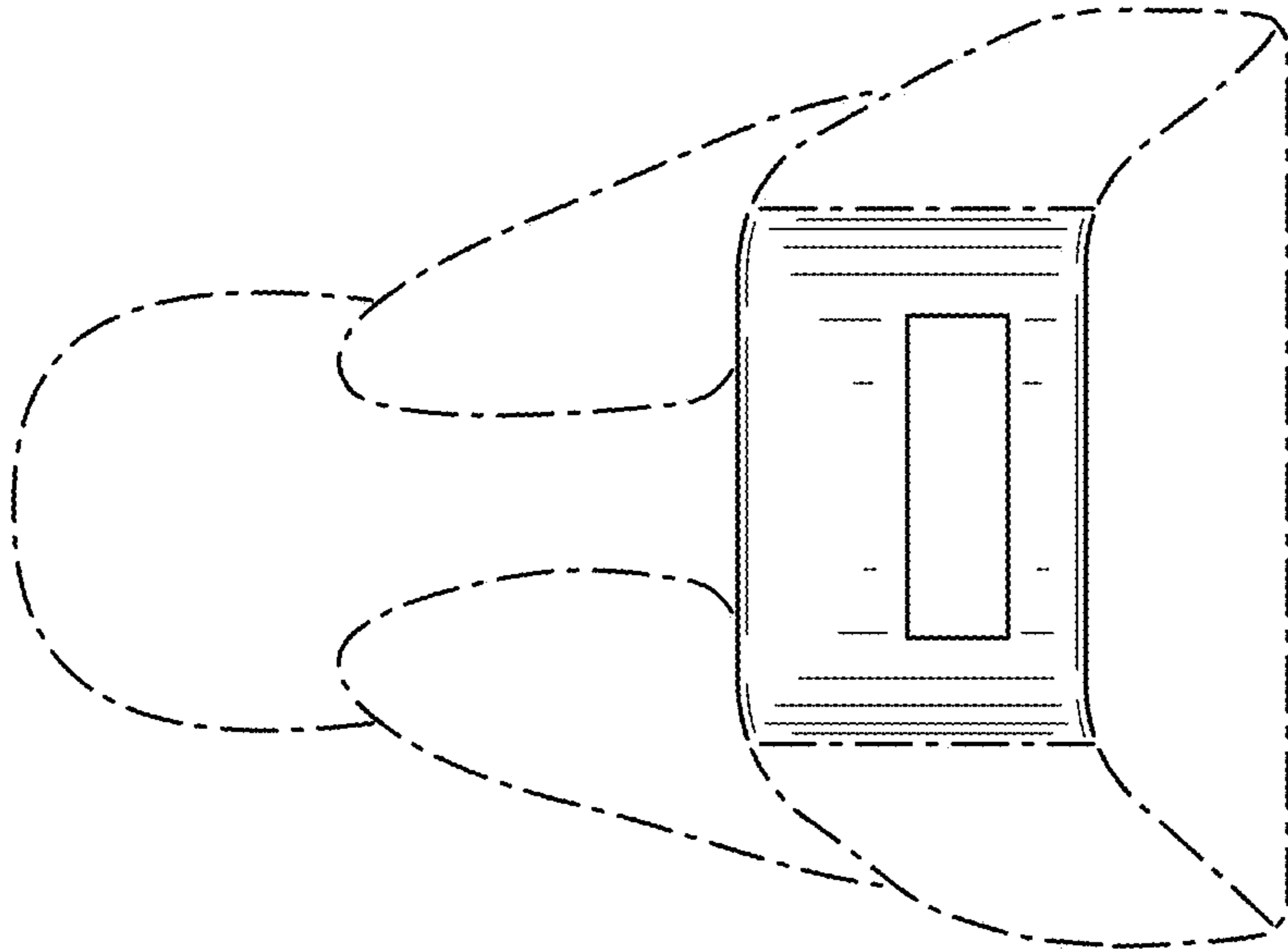


FIG. 5

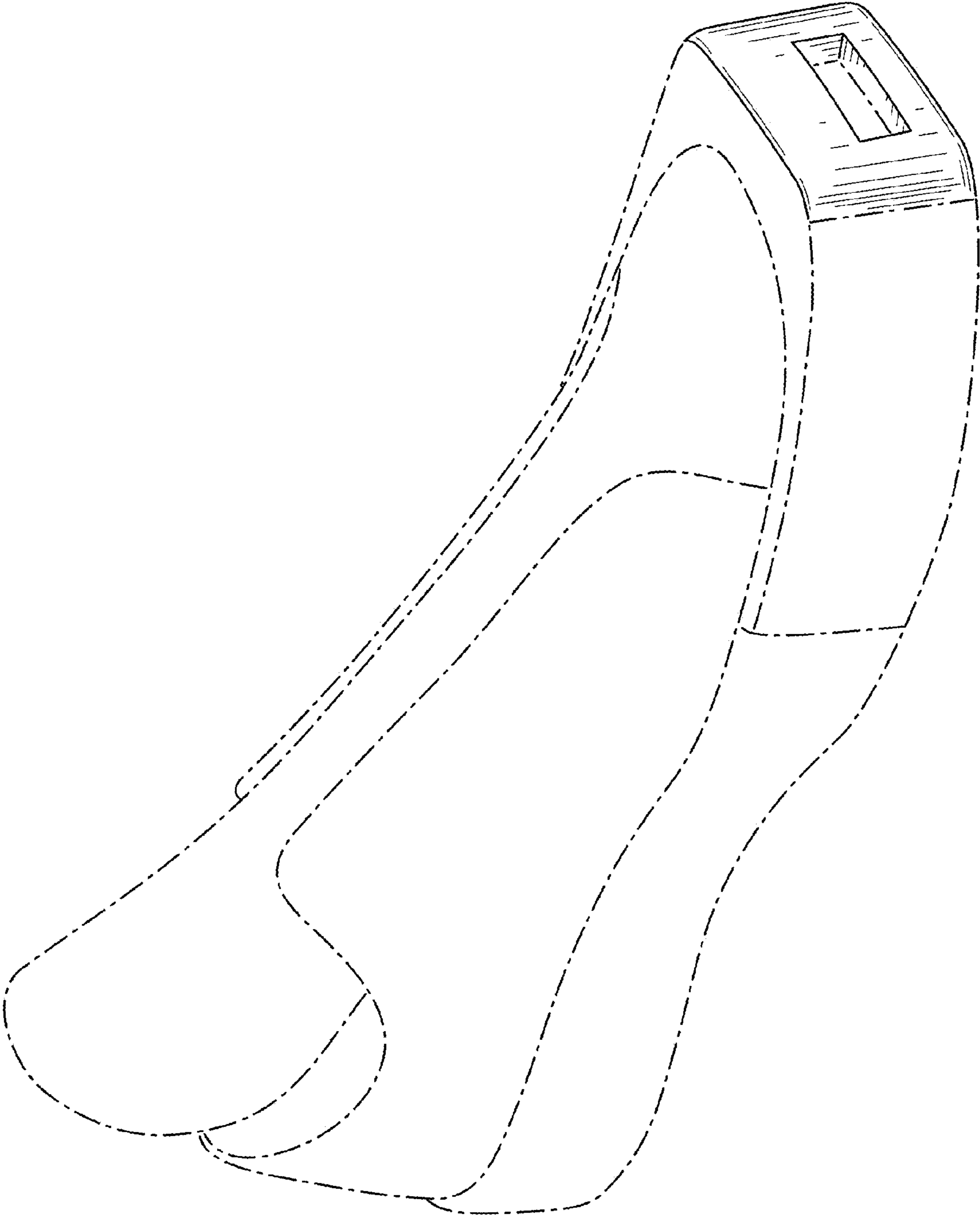


FIG. 6