



US00D948839S

(12) **United States Design Patent**
Haro

(10) **Patent No.:** **US D948,839 S**

(45) **Date of Patent:** **** Apr. 19, 2022**

(54) **FOOD PRODUCT**

(71) Applicant: **Kraft Foods Group Brands LLC**,
Chicago, IL (US)

(72) Inventor: **Guillermo Haro**, Skokie, IL (US)

(73) Assignee: **Kraft Foods Group Brands LLC**,
Chicago, IL (US)

(**) Term: **15 Years**

(21) Appl. No.: **29/801,024**

(22) Filed: **Jul. 26, 2021**

Related U.S. Application Data

(62) Division of application No. 29/768,557, filed on Jan. 29, 2021, now Pat. No. Des. 928,447, which is a division of application No. 29/720,217, filed on Jan. 10, 2020, now Pat. No. Des. 909,706.

(51) **LOC (13) Cl.** **01-01**

(52) **U.S. Cl.**
USPC **D1/106; D1/126**

(58) **Field of Classification Search**
USPC D1/100–130, 199; 426/5, 76, 87, 92, 94,
426/95, 99, 101, 103, 104, 108, 138–139,
426/143, 144, 279, 282, 283, 391, 514,
426/549, 559, 560, 660, 808, 249, 516;
D21/386, 803; D25/138; D7/359;
D6/597, 601, 595, 598; 119/710;
D30/160; D9/456, 669; D24/101–104;
D26/125

CPC A21D 13/0022; A23L 1/1641; A47J
37/0611; A21B 5/00; A21B 5/02

See application file for complete search history.

(56) **References Cited**

U.S. PATENT DOCUMENTS

D247,193 S * 2/1978 Maxwell D11/108
D374,753 S * 10/1996 Tintle D1/106

D394,535 S * 5/1998 Villota D1/106
D407,039 S * 3/1999 Openiano D11/125
D495,462 S * 9/2004 Haro D1/106
D515,272 S * 2/2006 Haro D1/106
D515,273 S * 2/2006 Haro D1/106
D526,242 S * 8/2006 Cavness D11/157
D629,327 S * 12/2010 Schanzer D11/81
D780,047 S * 2/2017 Yatsugi-Kang D11/81
D802,309 S * 11/2017 Halkett D6/303
D915,772 S * 4/2021 Sakai D3/313
2004/0020243 A1 * 2/2004 Molino A44C 25/001
63/31

* cited by examiner

Primary Examiner — Katie Jane Stofko

(74) *Attorney, Agent, or Firm* — Fitch, Even, Tabin & Flannery LLP

(57) **CLAIM**

I claim the ornamental design for a food product, as shown and described.

DESCRIPTION

FIG. 1 is a perspective view of a first embodiment of a food product;
FIG. 2 is a front elevation view thereof, the rear elevation view being a mirror image thereof;
FIG. 3 is a left side elevation view thereof;
FIG. 4 is a top plan view thereof;
FIG. 5 is a bottom plan view thereof;
FIG. 6 is a perspective view of a second embodiment of a food product;
FIG. 7 is a front elevation view thereof, the rear elevation view being a mirror image thereof;
FIG. 8 is a left side elevation view thereof;
FIG. 9 is a top plan view thereof; and,
FIG. 10 is a bottom plan view thereof.
The smaller stippled shading and larger stippled shading shown in FIGS. 1-10 represent a contrasting appearance.

1 Claim, 2 Drawing Sheets

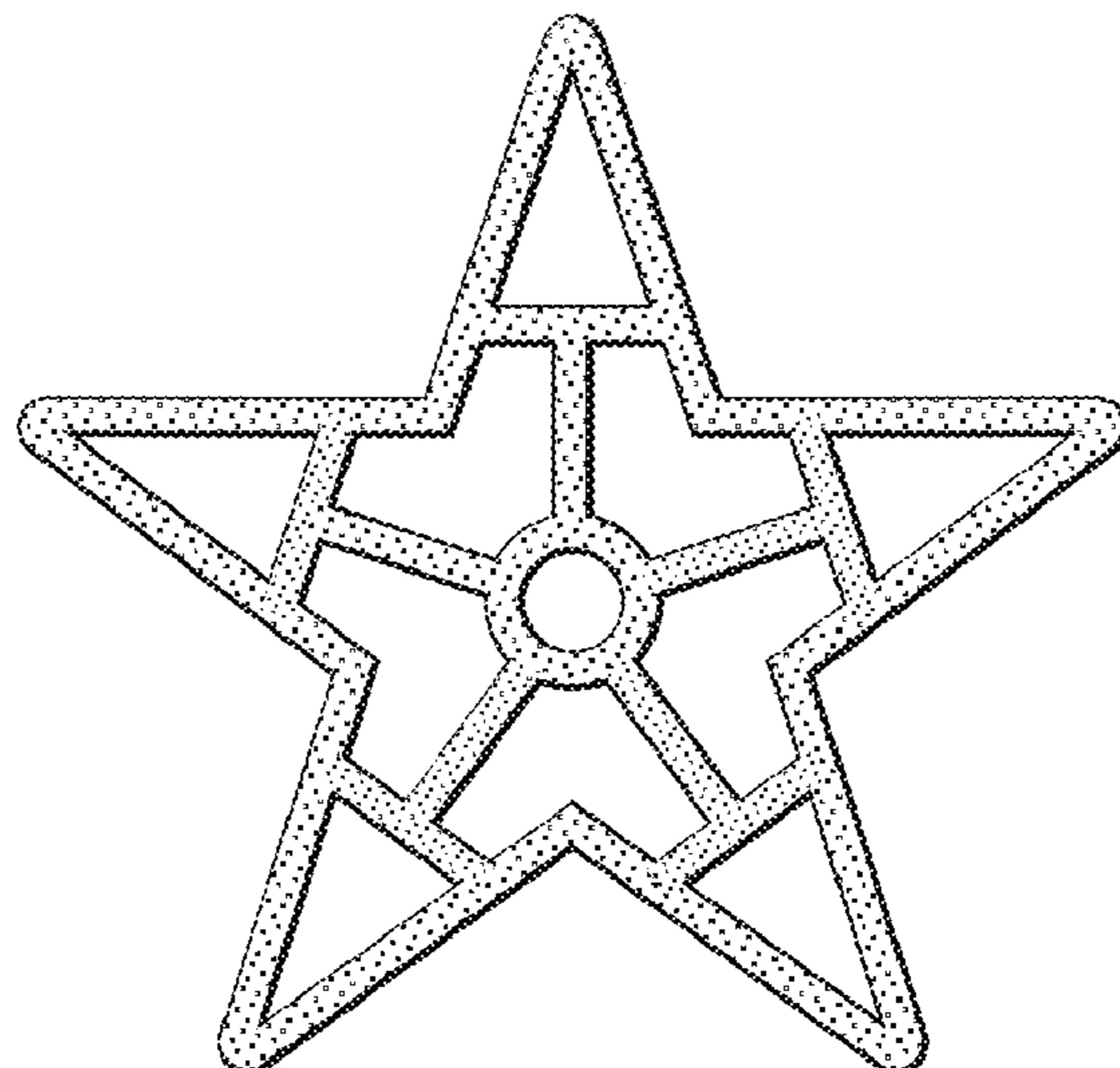
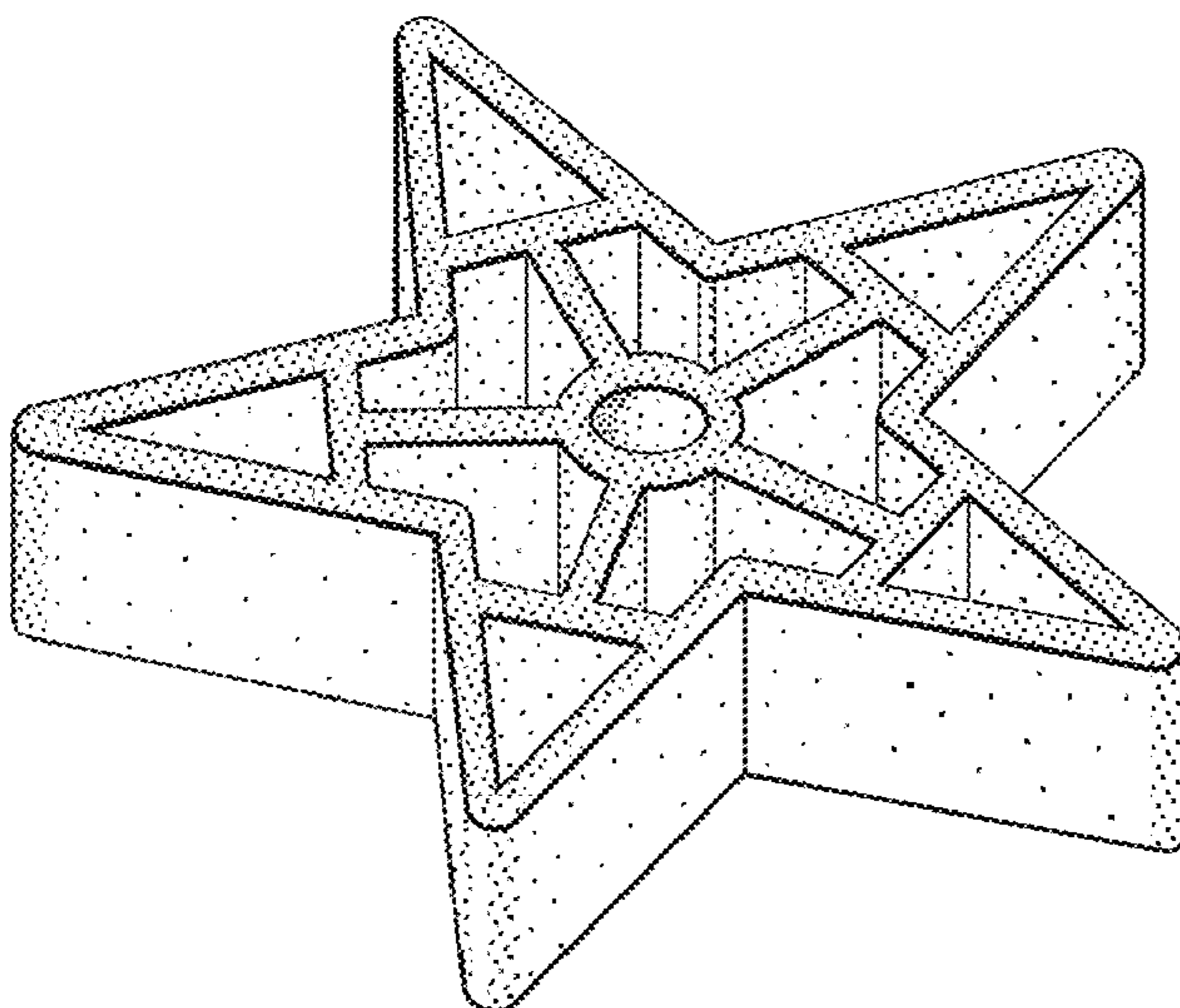


FIG. 1

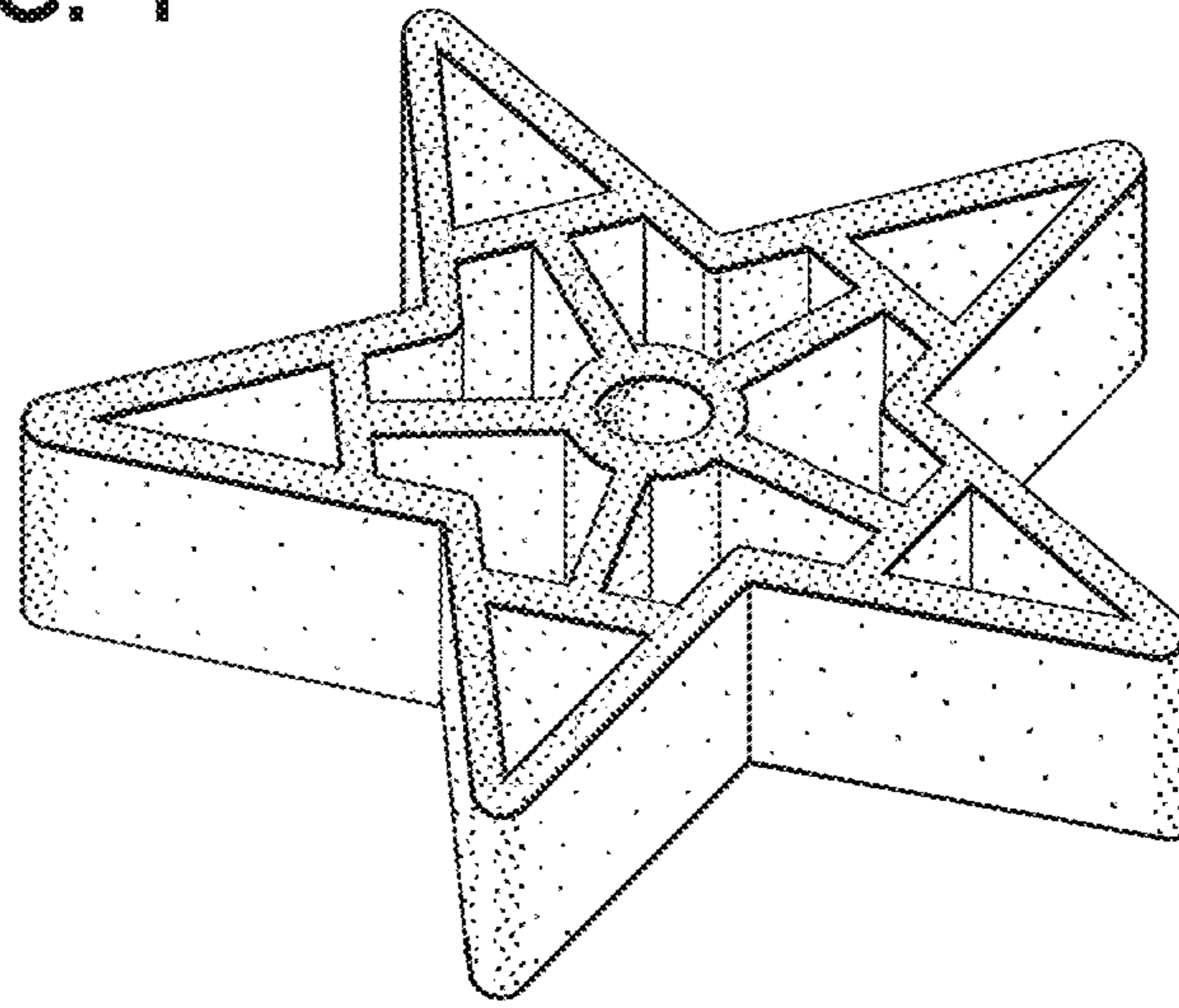


FIG. 4

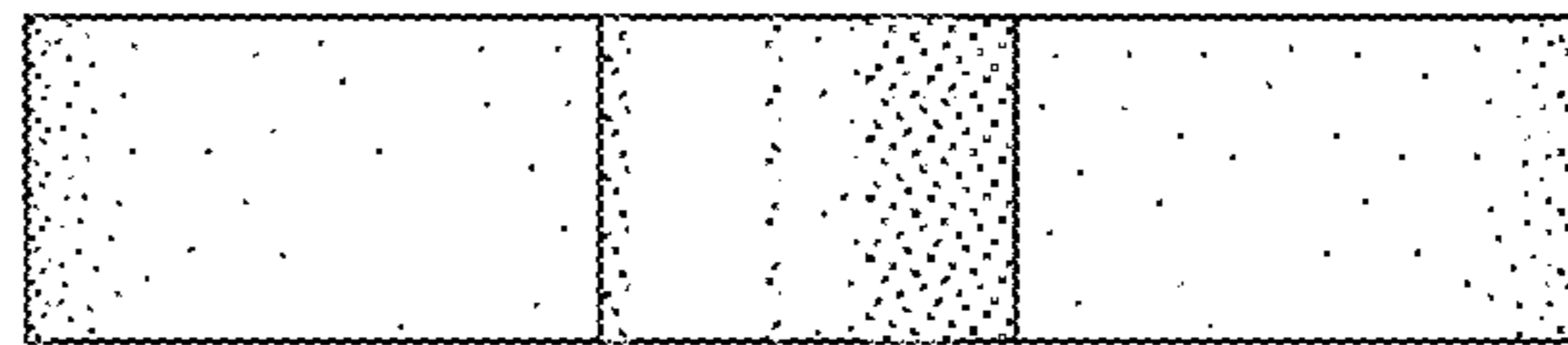


FIG. 3

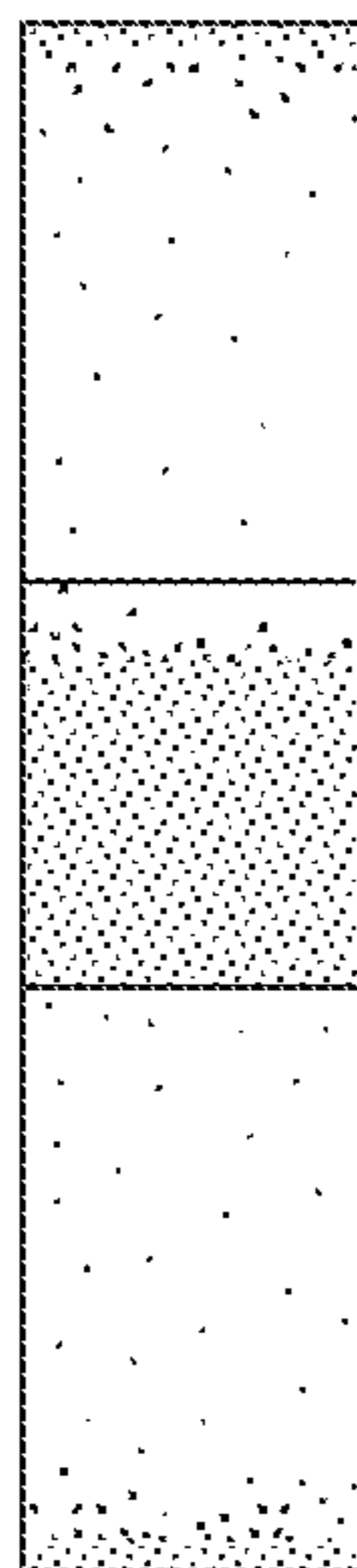


FIG. 2

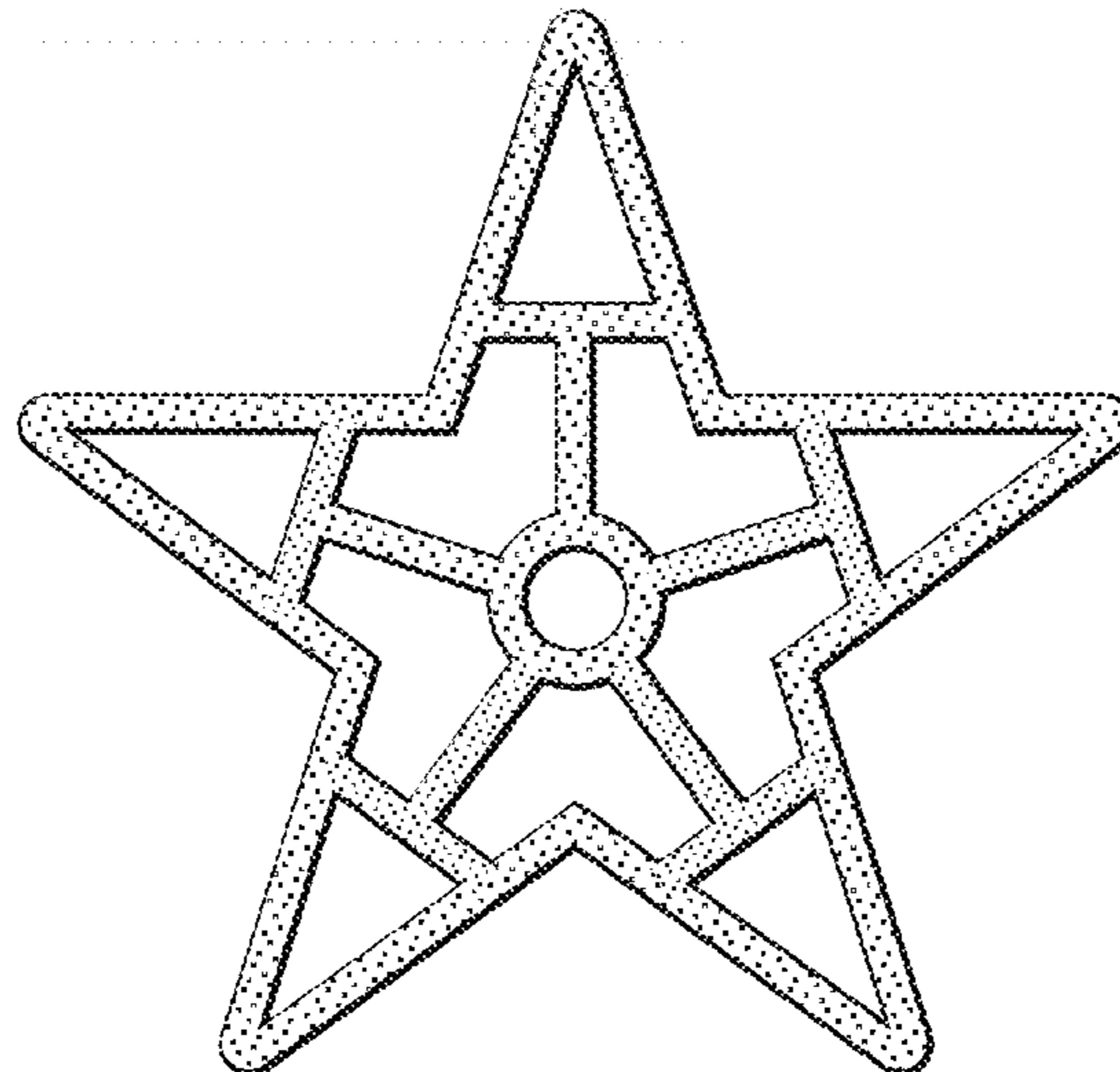


FIG. 5

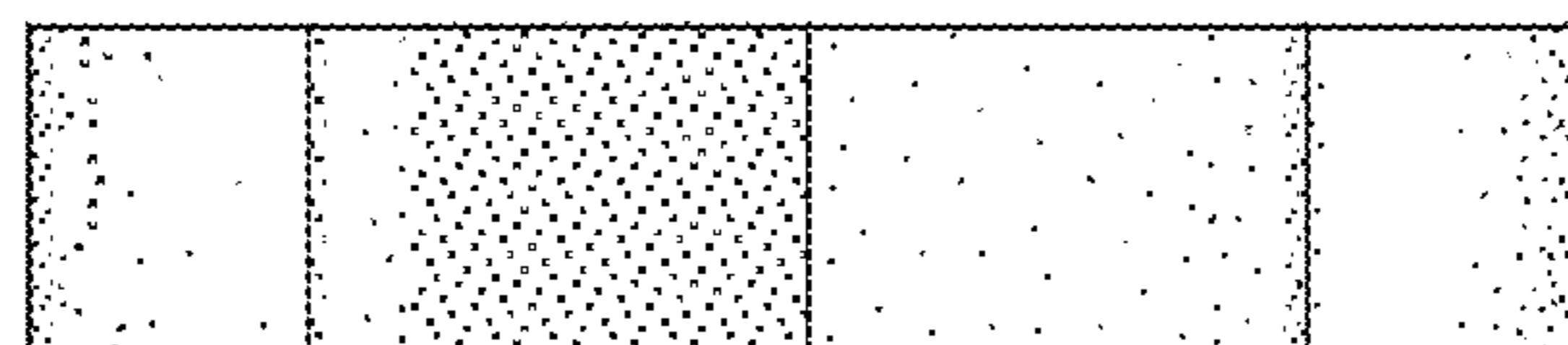


FIG. 6

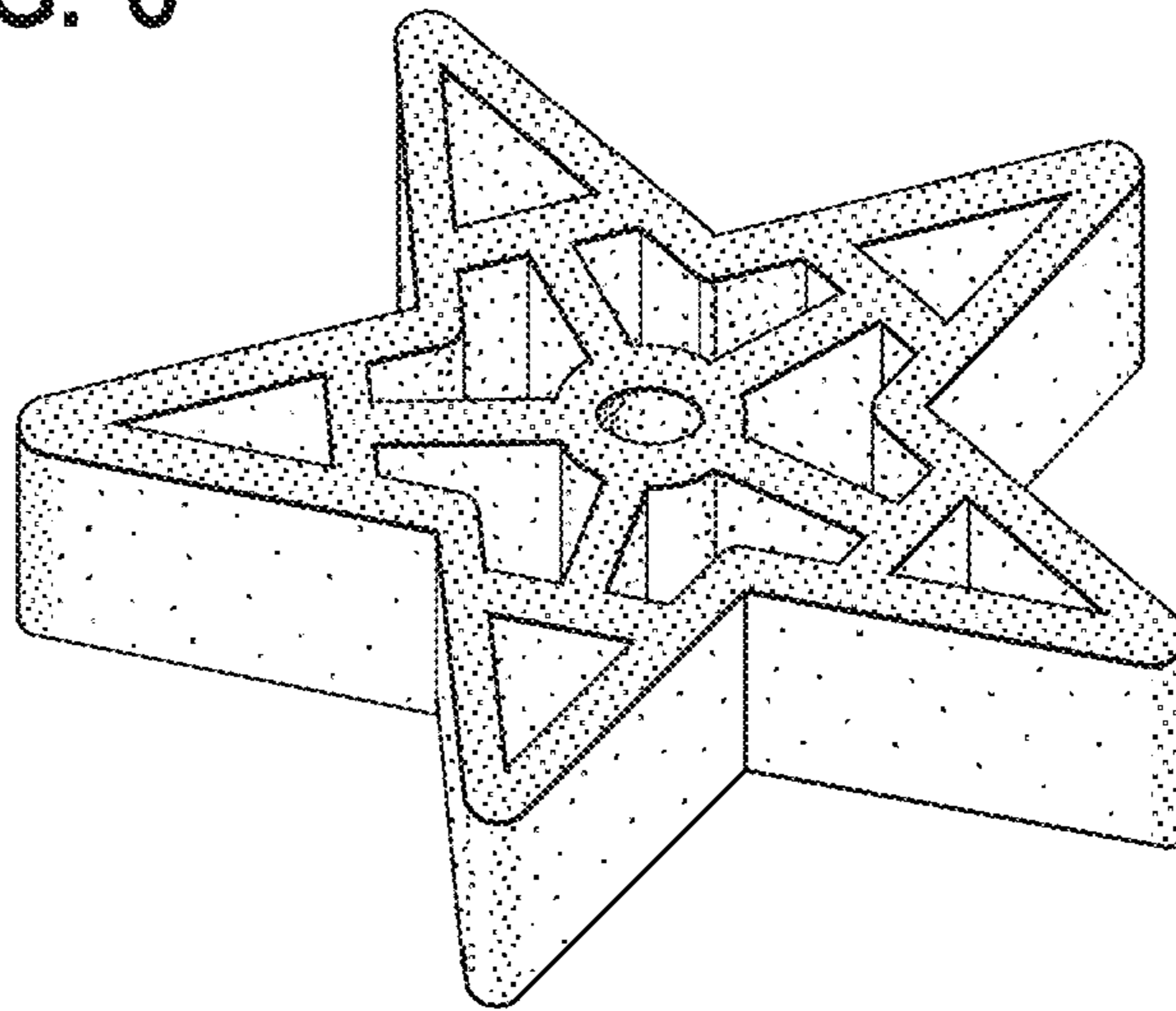


FIG. 9

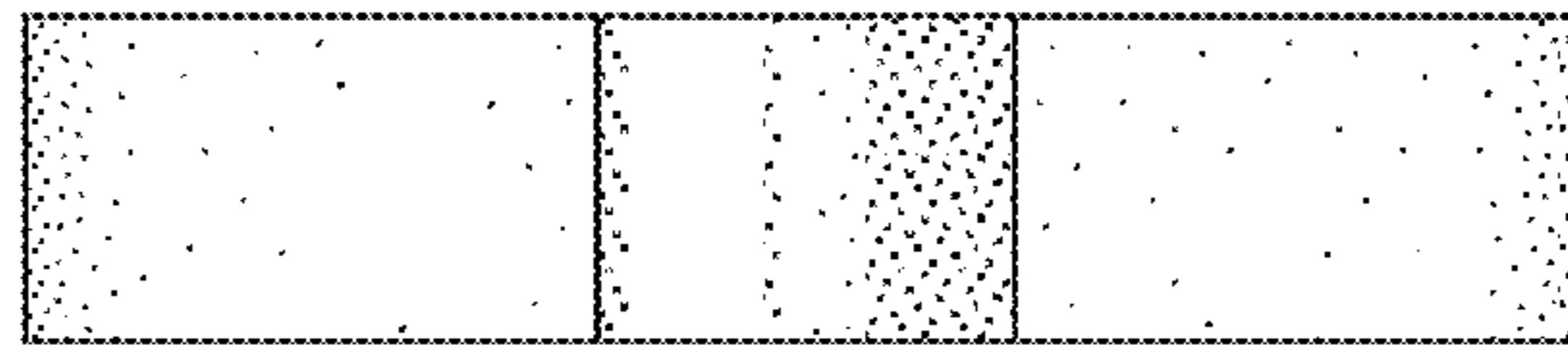


FIG. 8

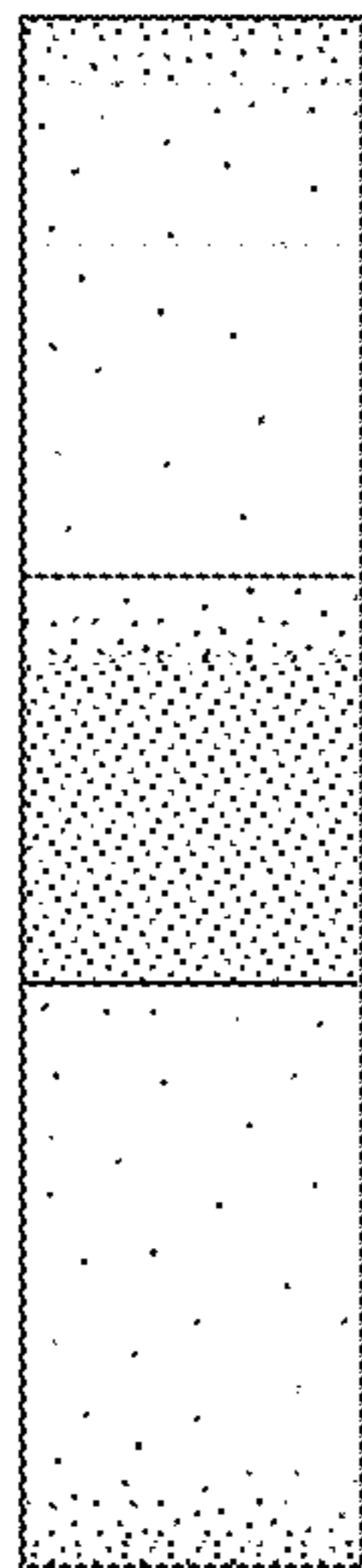


FIG. 7

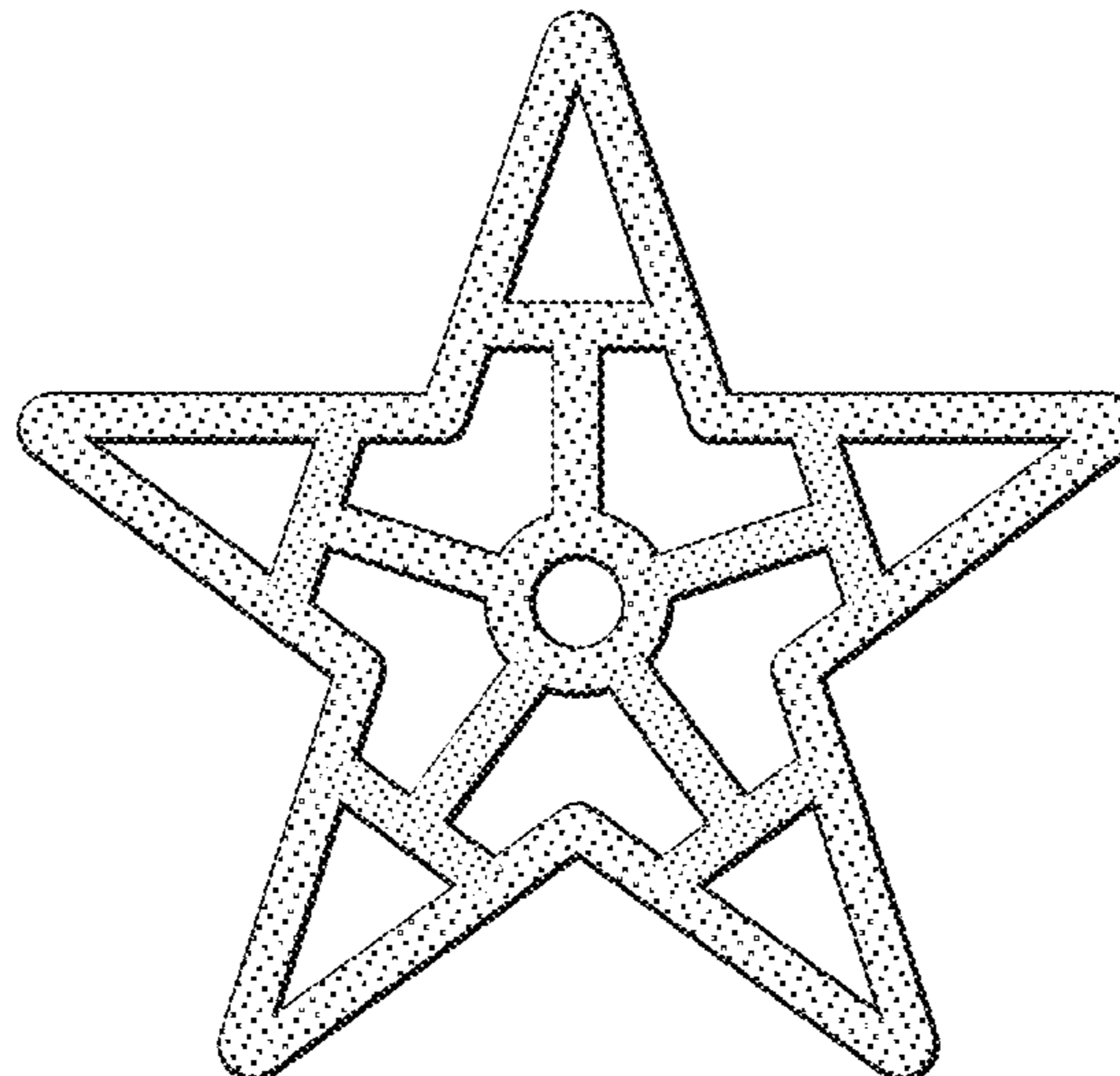


FIG. 10

