



US00D948833S

(12) **United States Design Patent**  
**Zhai**

(10) **Patent No.:** **US D948,833 S**  
(45) **Date of Patent:** **\*\* Apr. 12, 2022**

(54) **3 TIER ROLLING UTILITY CART**

(71) Applicant: **Qionge Zhai**, Sichuan (CN)

(72) Inventor: **Qionge Zhai**, Sichuan (CN)

(\*\*) Term: **15 Years**

(21) Appl. No.: **29/751,019**

(22) Filed: **Sep. 17, 2020**

(51) **LOC (13) Cl.** ..... **12-02**

(52) **U.S. Cl.**  
USPC ..... **D34/21**

(58) **Field of Classification Search**  
USPC ..... D34/12, 14, 17, 20, 21; D6/675.1  
CPC ..... B62B 3/02; B62B 3/1408; B62B 3/146;  
B62B 3/002; B62B 3/005; B62B 3/029;  
B62B 3/142; B62B 3/10; B62B 3/12;  
B62B 3/1492; B62B 3/165; B62B 5/0083;  
B62B 5/04; B62B 5/06; B62B 1/112;  
B62B 1/006; B62B 1/262; B62B 1/264;  
B62B 1/14; B62B 1/125  
See application file for complete search history.

(56) **References Cited**

**U.S. PATENT DOCUMENTS**

- 2,468,513 A \* 4/1949 Rider ..... A47B 91/06  
211/134
- D207,308 S \* 4/1967 Bell ..... D34/21
- D381,166 S \* 7/1997 Bonazza
- D436,239 S \* 1/2001 Walsh ..... D34/17
- D473,991 S \* 4/2003 Moon
- D748,359 S \* 1/2016 Lustig ..... D34/21
- D752,906 S \* 4/2016 Gunderson ..... D6/675.1
- D756,584 S \* 5/2016 Dunford ..... D34/12
- D757,387 S \* 5/2016 Cao ..... D34/21
- D831,390 S \* 10/2018 Li ..... D6/675.1
- D832,549 S \* 10/2018 Cao ..... D34/21
- D846,824 S \* 4/2019 Cao ..... D34/21
- D846,825 S \* 4/2019 Cao ..... D34/21
- D850,753 S \* 6/2019 Cao ..... D34/21

- D852,448 S \* 6/2019 Hu ..... D34/21
- D852,449 S \* 6/2019 Hu ..... D34/21
- D858,928 S \* 9/2019 Cao ..... D34/21
- D898,319 S \* 10/2020 Strandmark ..... D34/21
- D899,826 S \* 10/2020 Cheng ..... D6/675.1
- D901,123 S \* 11/2020 Liu ..... D34/21
- D901,816 S \* 11/2020 Liu ..... D34/21
- D902,521 S \* 11/2020 Tsai ..... D34/21
- D915,718 S \* 4/2021 Li ..... D34/21
- D919,918 S \* 5/2021 Liu ..... D34/21
- D920,618 S \* 5/2021 Cao ..... D34/21
- D920,619 S \* 5/2021 Cao ..... D34/21
- D922,021 S \* 6/2021 Phillips ..... D34/21
- D922,023 S \* 6/2021 Chen ..... D34/21
- D926,415 S \* 7/2021 Su ..... D34/21

(Continued)

**OTHER PUBLICATIONS**

Google search Jan. 5, 2022, walmart.com, Exquisite honeycomb net three tiers storage cart, <https://www.walmart.com/ip/Exquisite-Honeycomb-Net-Three-Tiers-Storage-Cart-with-Hook-Black/927890070> (Year: 2022).\*

(Continued)

*Primary Examiner* — Cynthia Ramirez

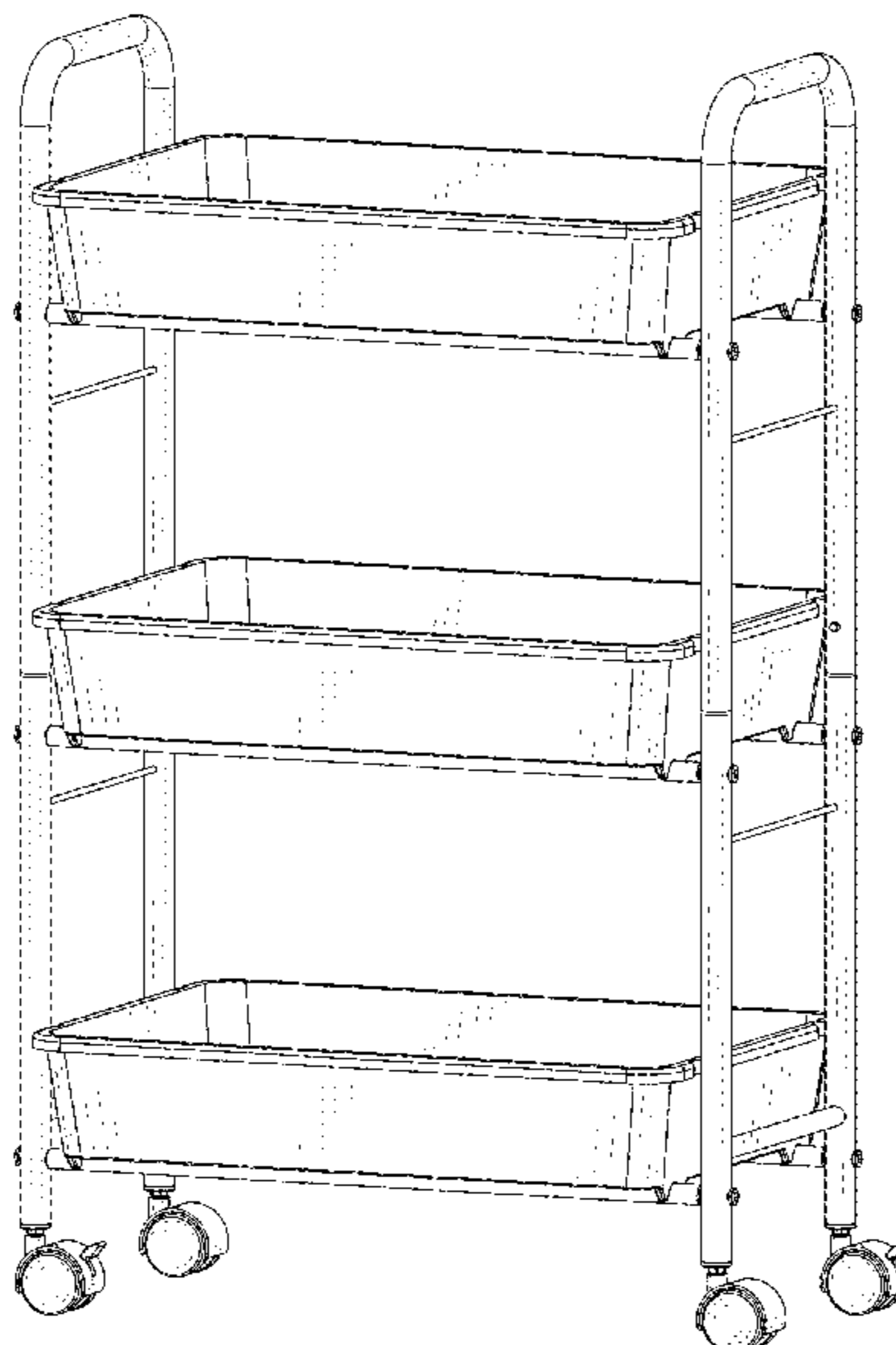
(57) **CLAIM**

The ornamental design for a 3 tier rolling utility cart, as shown and described.

**DESCRIPTION**

FIG. 1 is a perspective view of a 3 tier rolling utility cart showing my new design;  
FIG. 2 is a front view thereof;  
FIG. 3 is a back view thereof;  
FIG. 4 is a left side view thereof;  
FIG. 5 is a right side view thereof;  
FIG. 6 is a top plan view thereof; and,  
FIG. 7 is a bottom plan view thereof.

**1 Claim, 7 Drawing Sheets**



(56)

**References Cited**

U.S. PATENT DOCUMENTS

D927,817 S \* 8/2021 Cao ..... D34/21  
D937,528 S \* 11/2021 Zhou ..... D34/21  
D938,126 S \* 12/2021 You ..... D34/21  
2018/0208355 A1\* 7/2018 Tang ..... B65D 7/06  
2021/0086815 A1\* 3/2021 Kopp ..... B62B 5/0006

OTHER PUBLICATIONS

Google search Jan. 5, 2022, Pricepulse.app, danpinera 3 tier rolling utility cart with wheels and handle, [https://www.pricepulse.app/danpinera-3-tier-rolling-utility-cart-with-wheels\\_us\\_12123271](https://www.pricepulse.app/danpinera-3-tier-rolling-utility-cart-with-wheels_us_12123271) (Year: 2022).\*

Google search Jan. 5, 2022, u-buy.co.uk, 3 tier rolling cart with table top, rolling storage cart with handles and locking wheels, <https://www.u-buy.co.uk/search/index/view/product/B09368T1F9> (Year: 2022).\*

Amazon.com searched Jan. 5, 2022, CAXXA 3-tier rolling metal storage organizer—mobile utility cart kitchen cart with caster wheels, <https://www.amazon.com/CAXXA-3-Tier-Rolling-Storage-Organizer/dp/B07JJMYQ8G> (Year: 2022).\*

Amazon.com searched Jan. 5, 2022, 3-Tier Rolling Carts with Wheels Storage Cart Makeup Cart with Roller Wheels Mobile Storage Organizer for Kitchen, Bathroom, Office, Coffee Bar, <https://www.amazon.com/dp/B089W25HLL> (Year: 2022).\*

Amazon.com searched Jan. 5, 2022, TOOLF 3 tier rolling cart, no screw metal utility cart, <https://www.amazon.com/dp/B082HJK63W> (Year: 2019).\*

\* cited by examiner

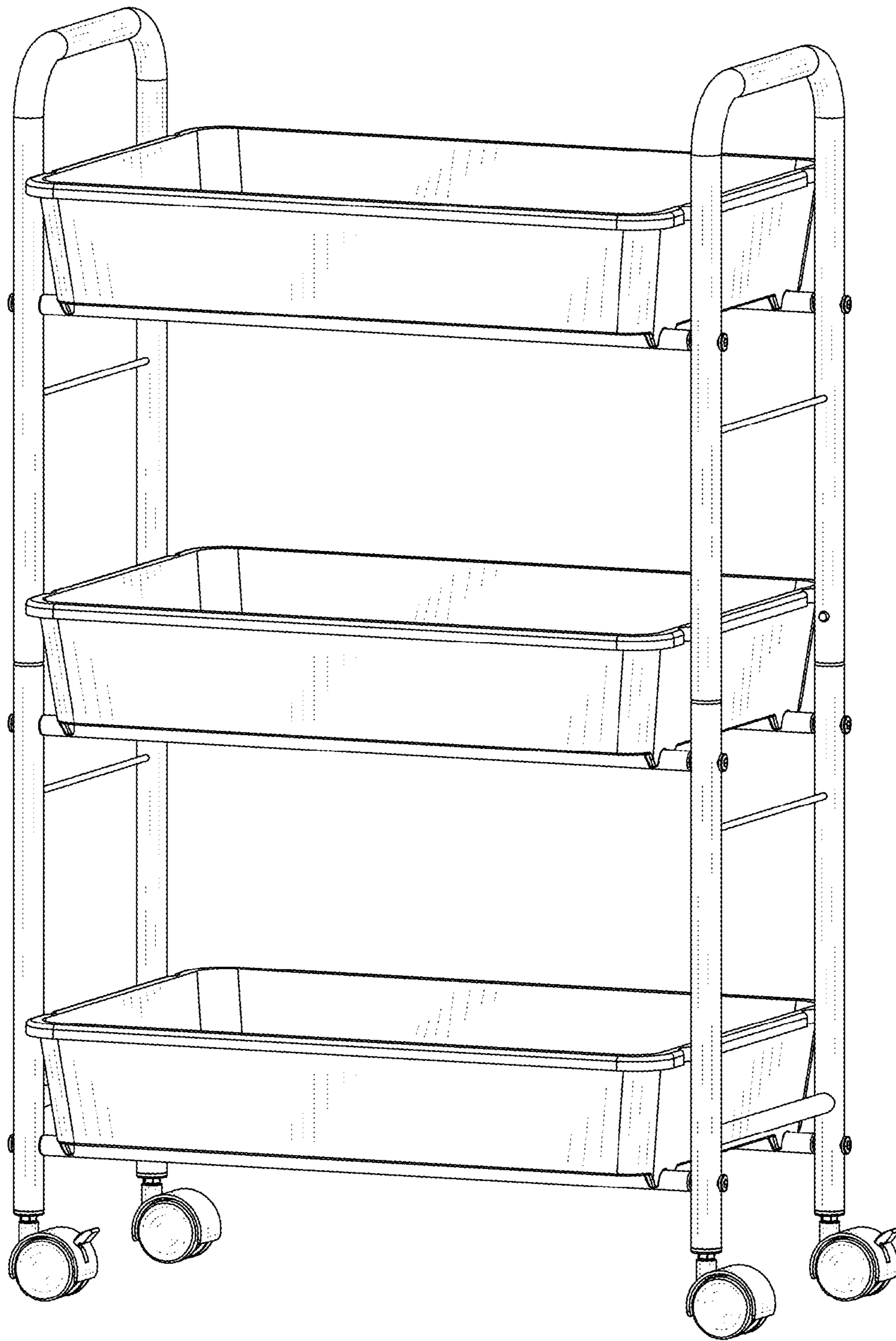


FIG.1

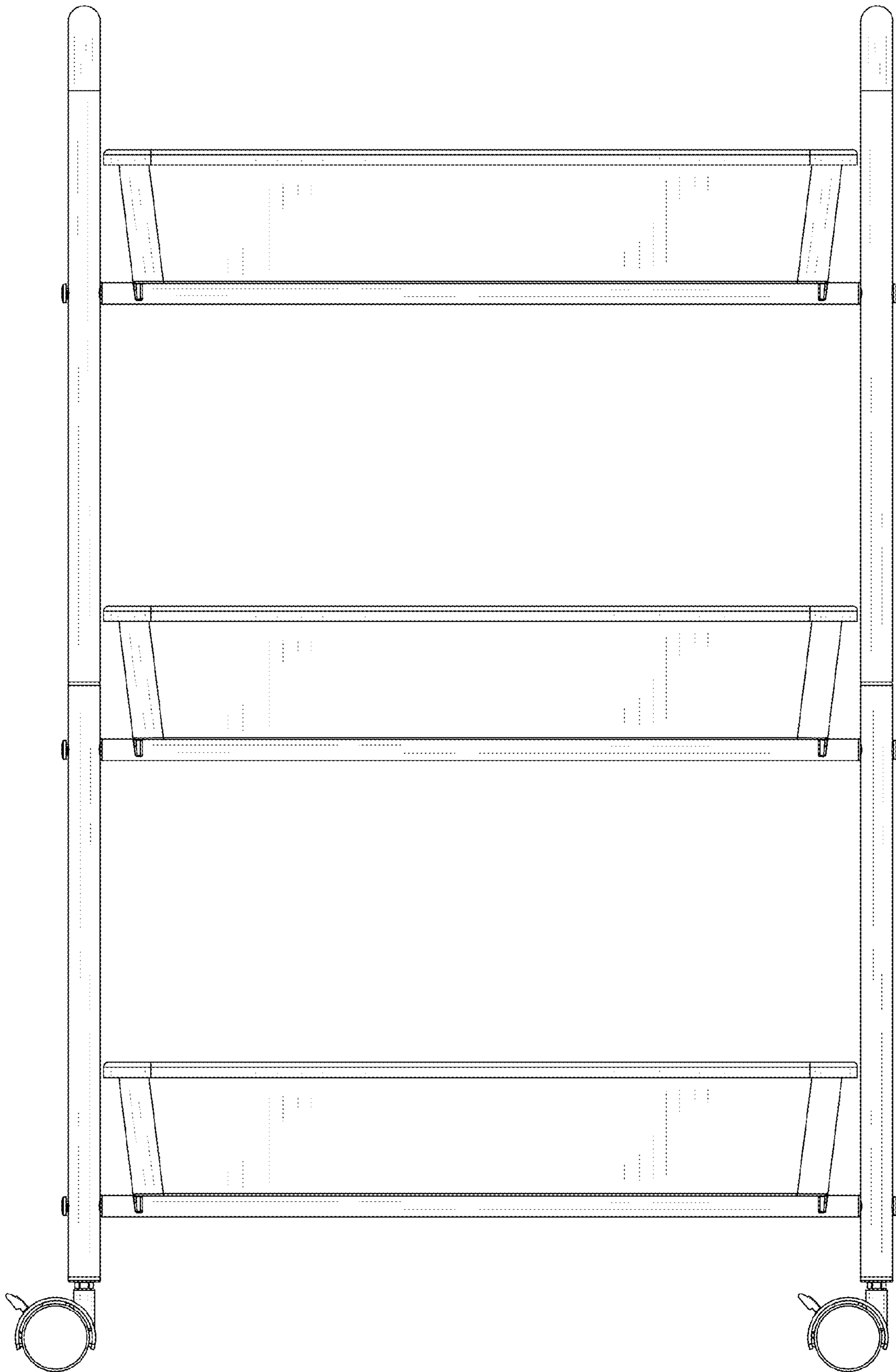


FIG.2

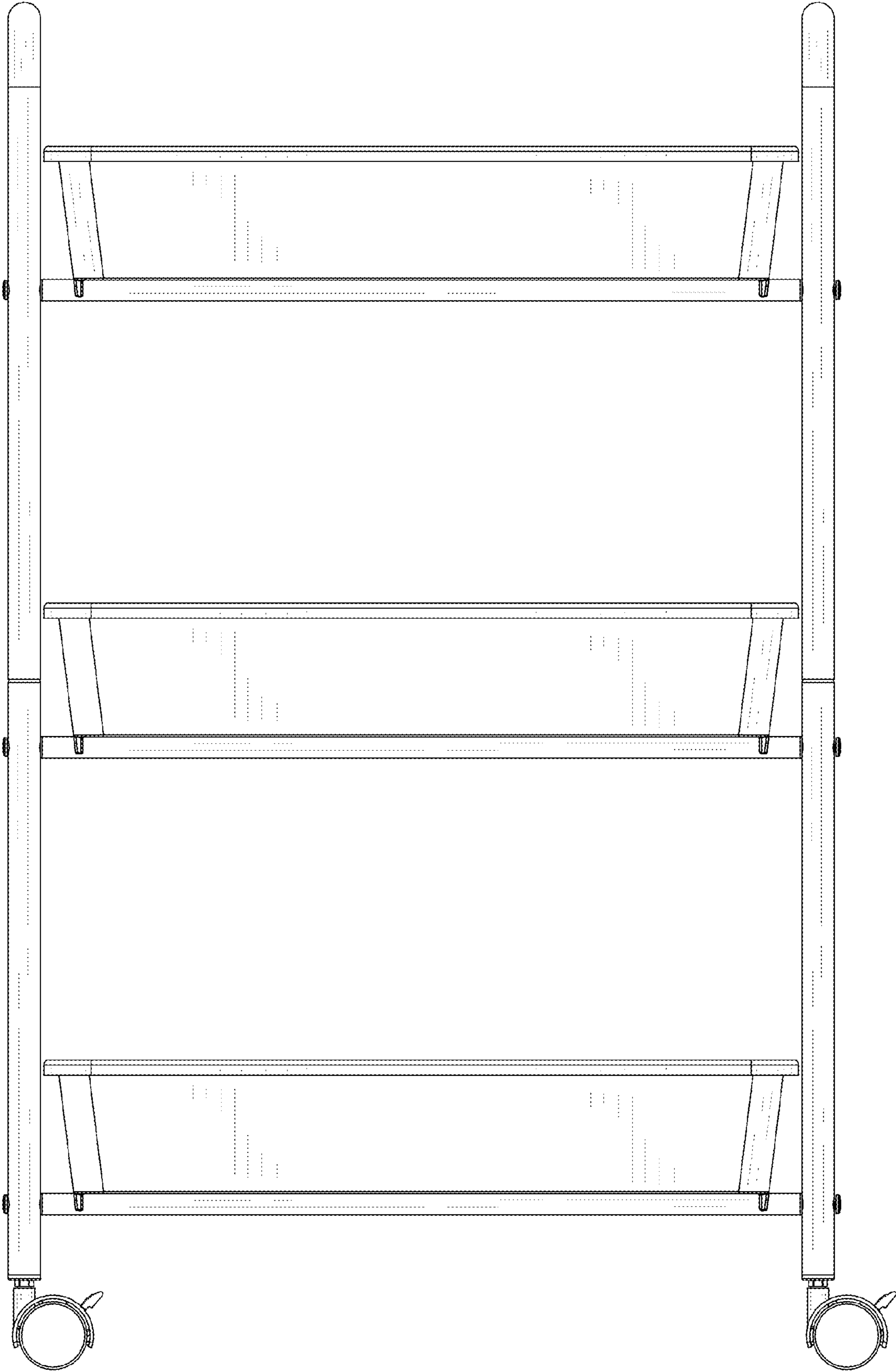


FIG. 3

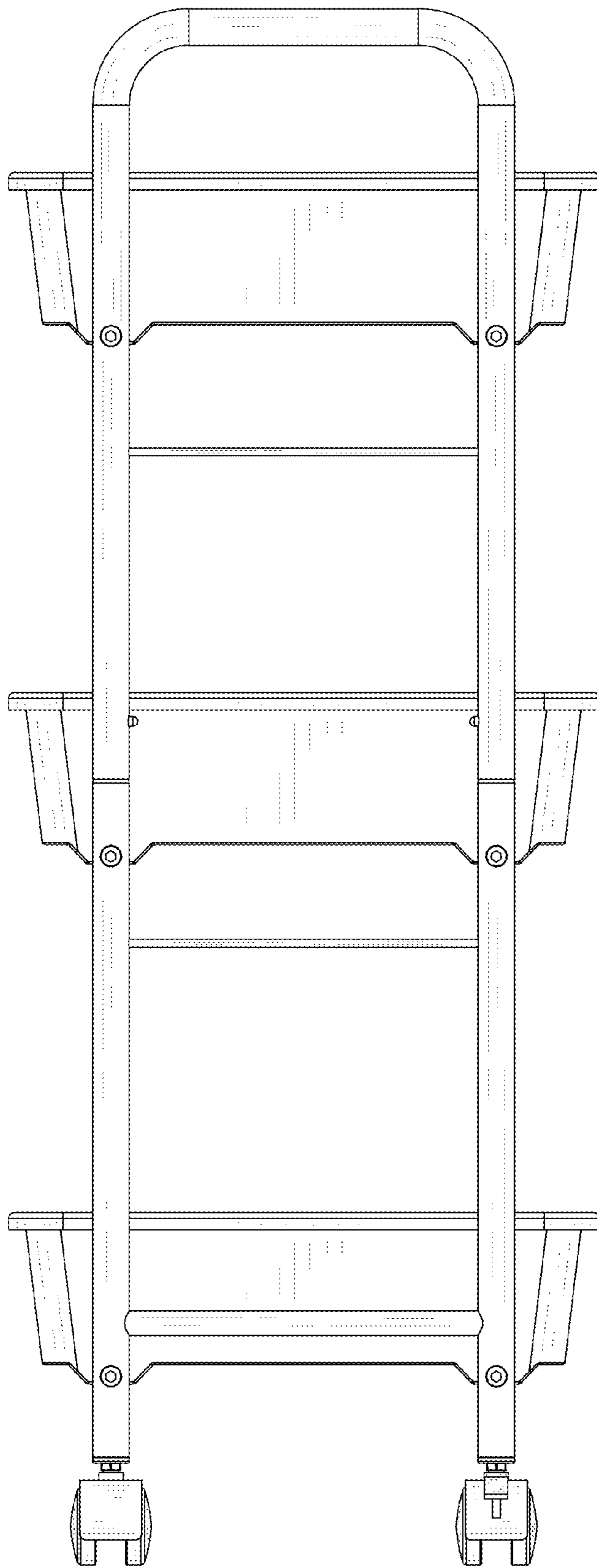


FIG.4

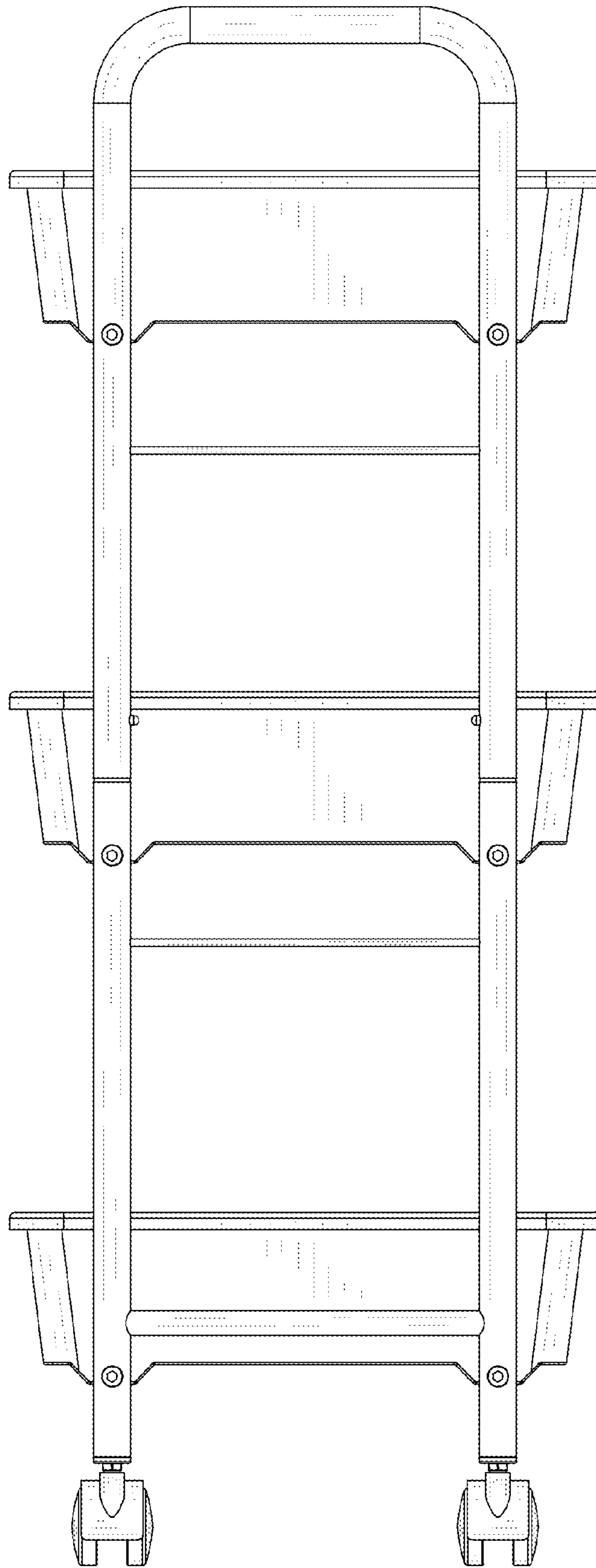


FIG. 5

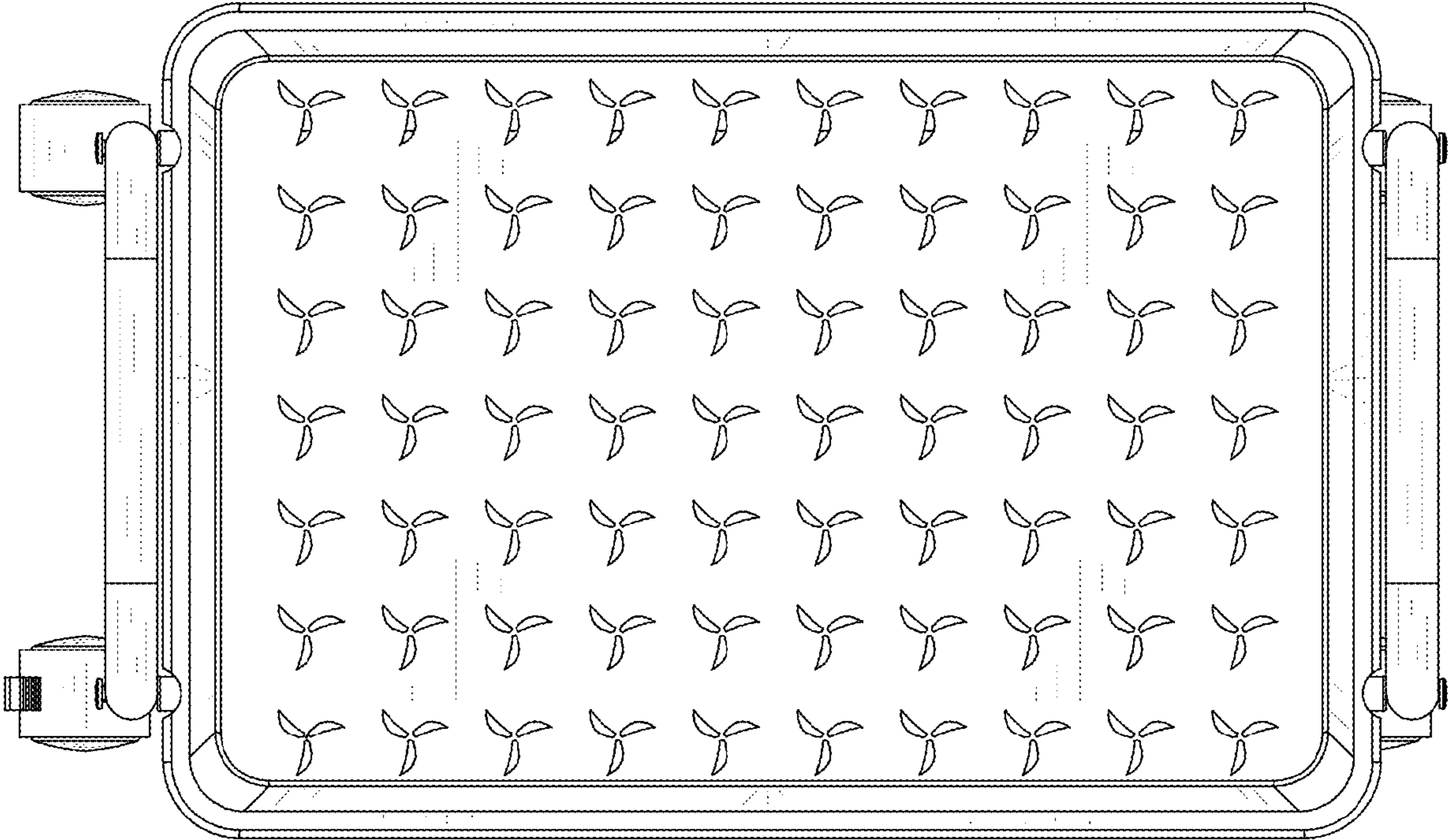


FIG. 6



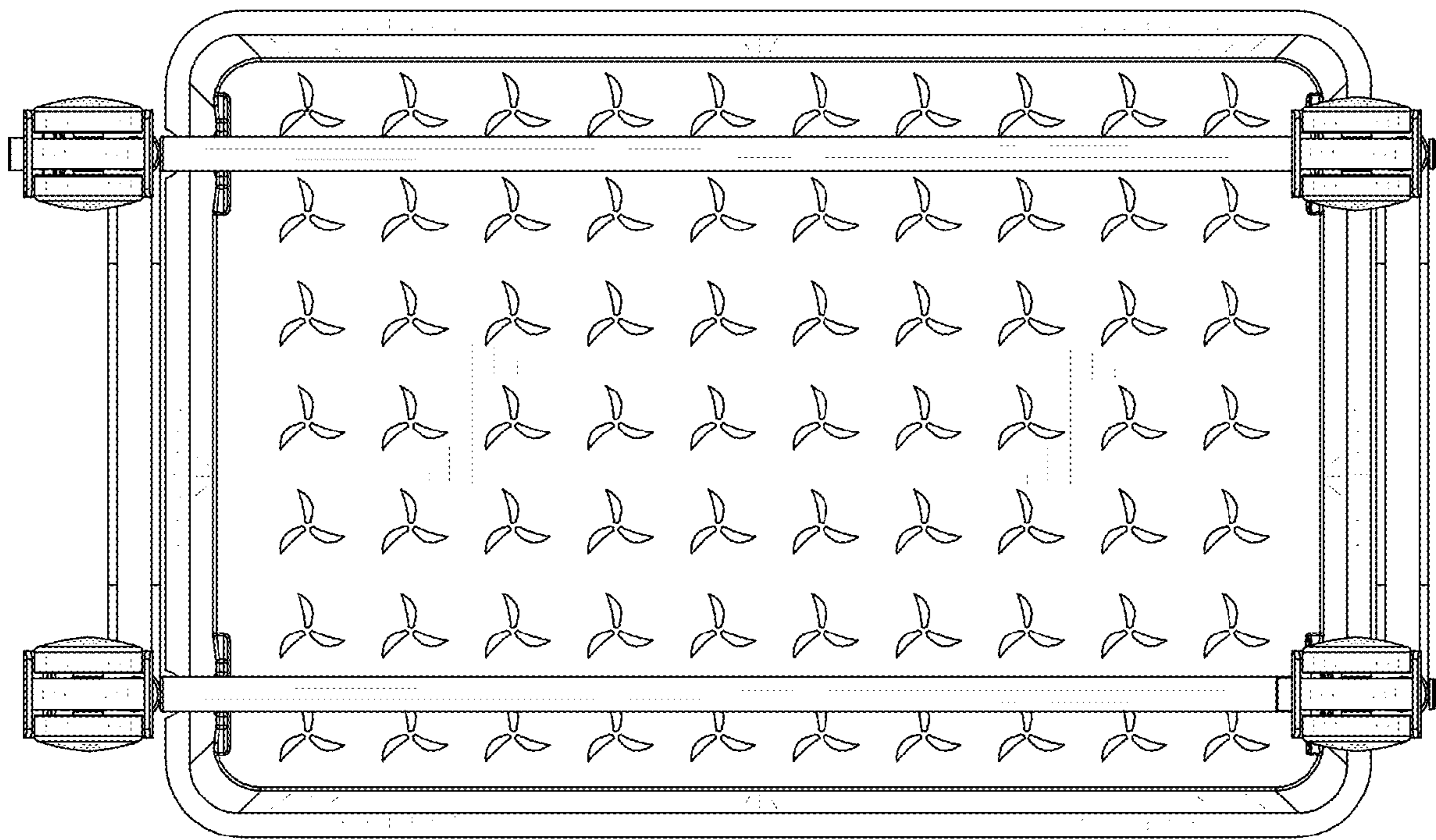


FIG. 7