



US00D948832S

(12) **United States Design Patent** (10) **Patent No.:** **US D948,832 S**
Holzmann et al. (45) **Date of Patent:** **** Apr. 12, 2022**

- (54) **WASTE RECEPTACLE**
- (71) Applicant: **Bradley Corporation**, Menomonee Falls, WI (US)
- (72) Inventors: **Simon Holzmann**, Zorneding (DE); **Stefan Hillenmayer**, Munich (DE); **Ning Zhou**, Munich (DE); **Laura Beth Stang**, Mukwonago, WI (US)
- (73) Assignee: **Bradley Corporation**, Menomonee Falls, WI (US)
- (**) Term: **15 Years**
- (21) Appl. No.: **29/778,696**
- (22) Filed: **Apr. 14, 2021**

4,408,811 A *	10/1983	Richardson	A47K 10/24
			312/138.1
D441,493 S *	5/2001	Weiss	D27/105
D442,753 S *	5/2001	Weiss	D34/1
D450,899 S *	11/2001	Caron	D27/105
D461,611 S *	8/2002	Weiss	D34/1
D520,703 S *	5/2006	Nordgren	D34/1
D544,168 S *	6/2007	Weiss	D27/125
D652,599 S *	1/2012	Kane	D34/1
D657,519 S *	4/2012	Kluck	D34/1
D674,161 S *	1/2013	Kluck	D34/1
D684,332 S *	6/2013	Gollob	D34/1

* cited by examiner

Primary Examiner — Nathan M Johnston
(74) *Attorney, Agent, or Firm* — Boyle Fredrickson, S.C.

(57) **CLAIM**

The ornamental design for a waste receptacle, substantially as shown and described.

DESCRIPTION

FIG. 1 is a front, raised perspective view of a waste receptacle according to the invention;
FIG. 2 is a front view of the waste receptacle of FIG. 1;
FIG. 3 is a rear view of the waste receptacle of FIG. 1;
FIG. 4 is a right side view of the waste receptacle of FIG. 1;
FIG. 5 is a left side view of the waste receptacle of FIG. 1;
FIG. 6 is a top view of the waste receptacle of FIG. 1;
FIG. 7 is a bottom view of the waste receptacle of FIG. 1;
and,

FIG. 8 is a front, lowered perspective view of the waste receptacle of FIG. 1.

The broken lines shown in the drawings form no part of the claimed design. All surfaces not shown form no part of the claimed design. Further, the waste receptacle is shown with symbolic breaks in its width. The appearance of any portion of the waster receptacle between the break lines forms no part of the claimed design.

1 Claim, 8 Drawing Sheets

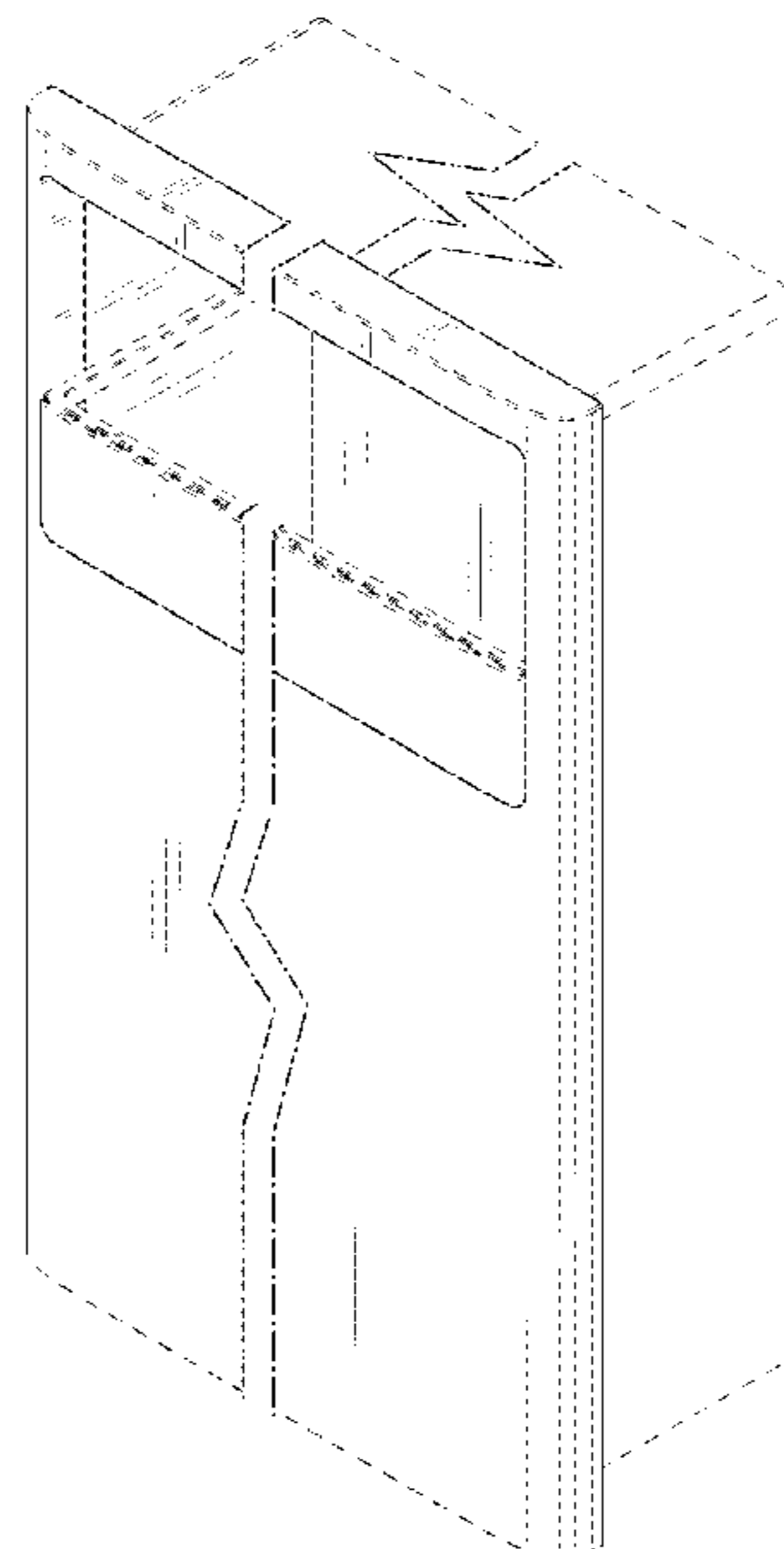
Related U.S. Application Data

- (62) Division of application No. 29/708,038, filed on Oct. 2, 2019.
- (51) **LOC (13) Cl.** **09-09**
- (52) **U.S. Cl.**
USPC **D34/1**
- (58) **Field of Classification Search**
USPC D6/515-524; D34/1, 11; 211/13.1, 211/71.01, 85.19, 88.01; 221/33, 45, 221/282-283; 248/905; 312/34.1, 34.4
CPC A47K 10/46; A47K 10/32; E05B 1/0069; B65D 83/08; B65D 83/00; A47B 96/00; A47B 81/002; A47F 5/08
See application file for complete search history.

(56) **References Cited**

U.S. PATENT DOCUMENTS

- 1,454,882 A * 5/1923 Christian A47G 29/122
220/480
- D219,066 S * 10/1970 Biggar D6/519



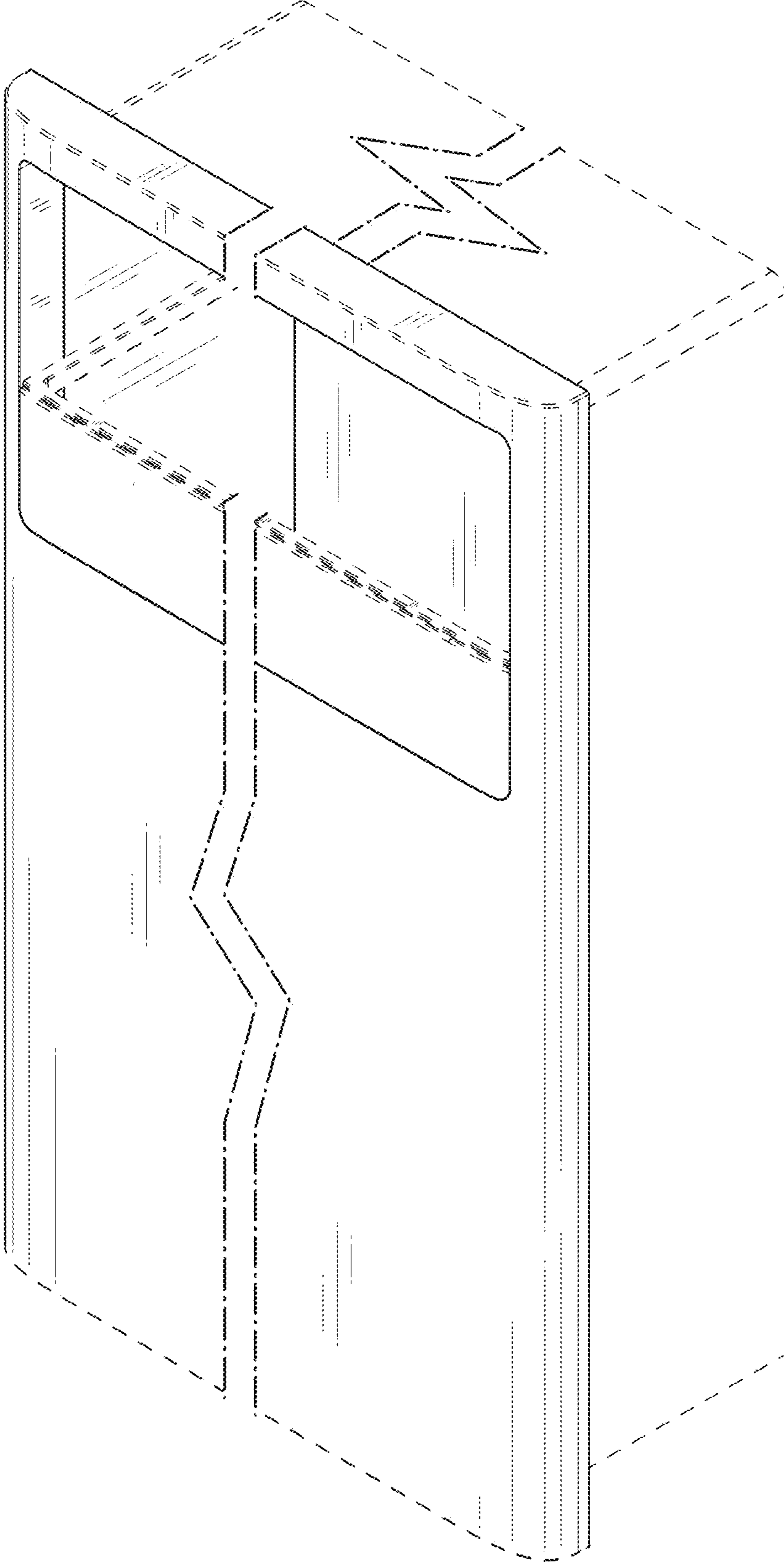


FIG. 1

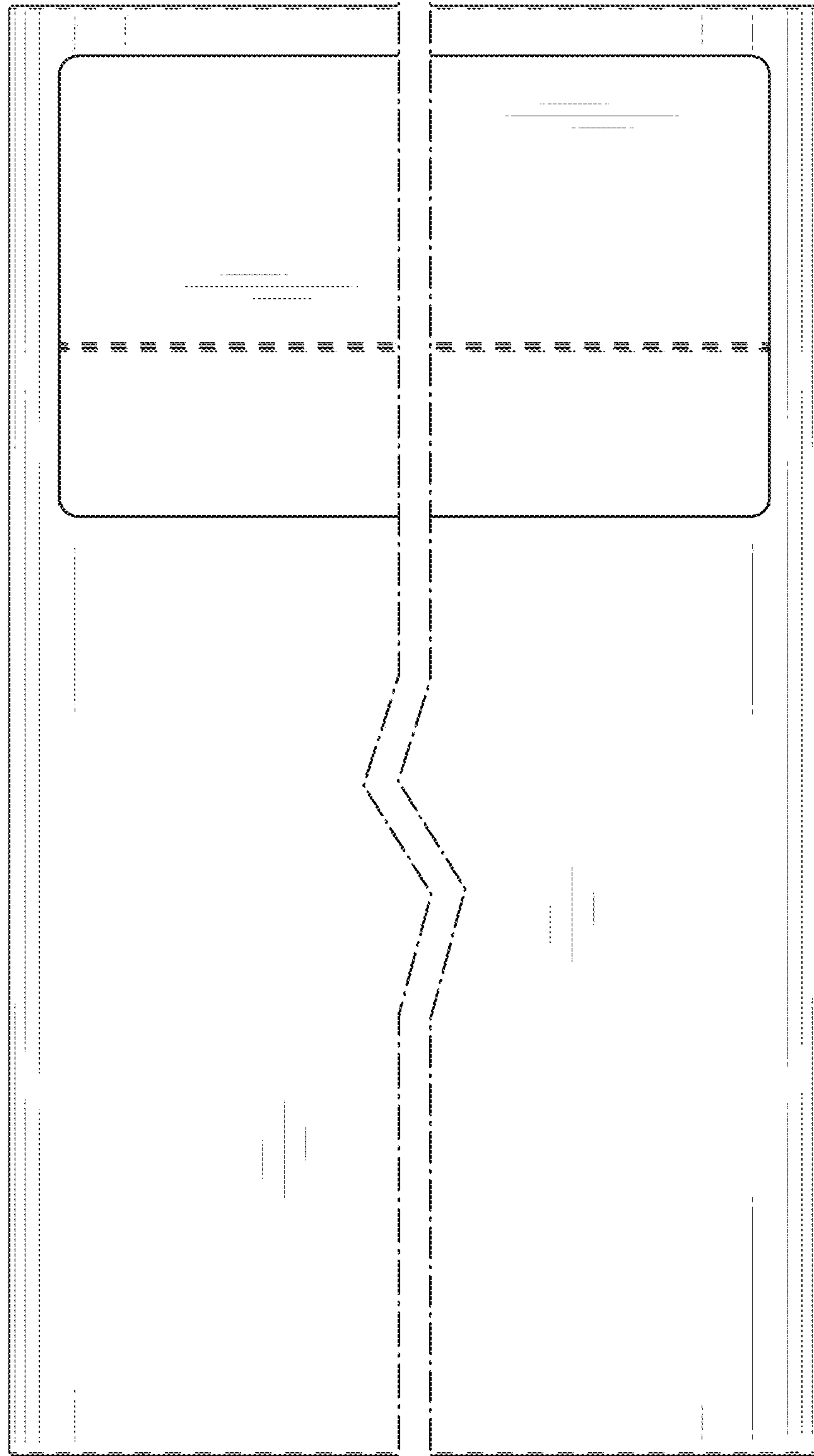


FIG. 2

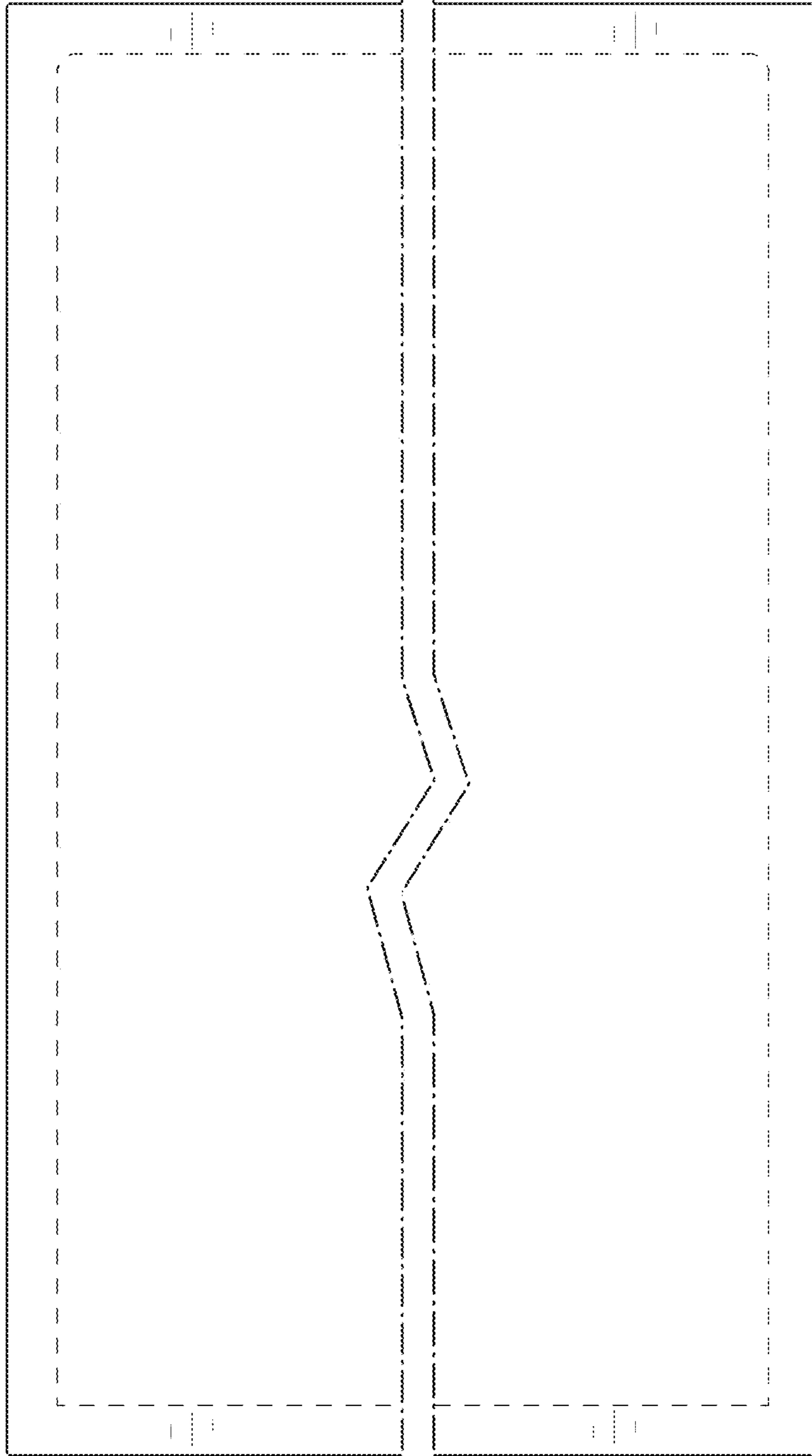


FIG. 3

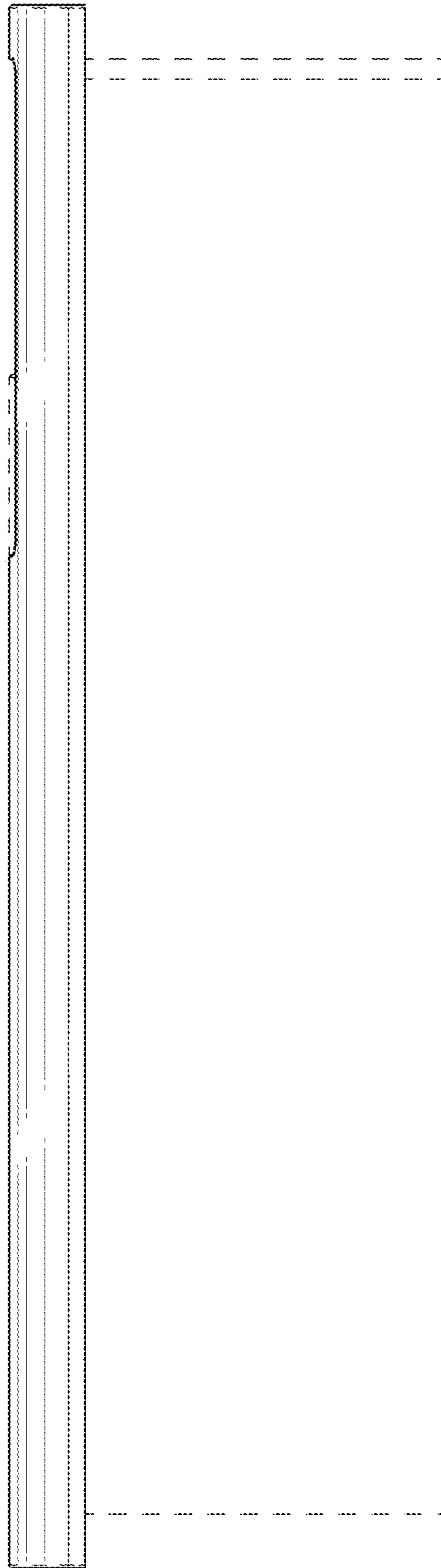


FIG. 4

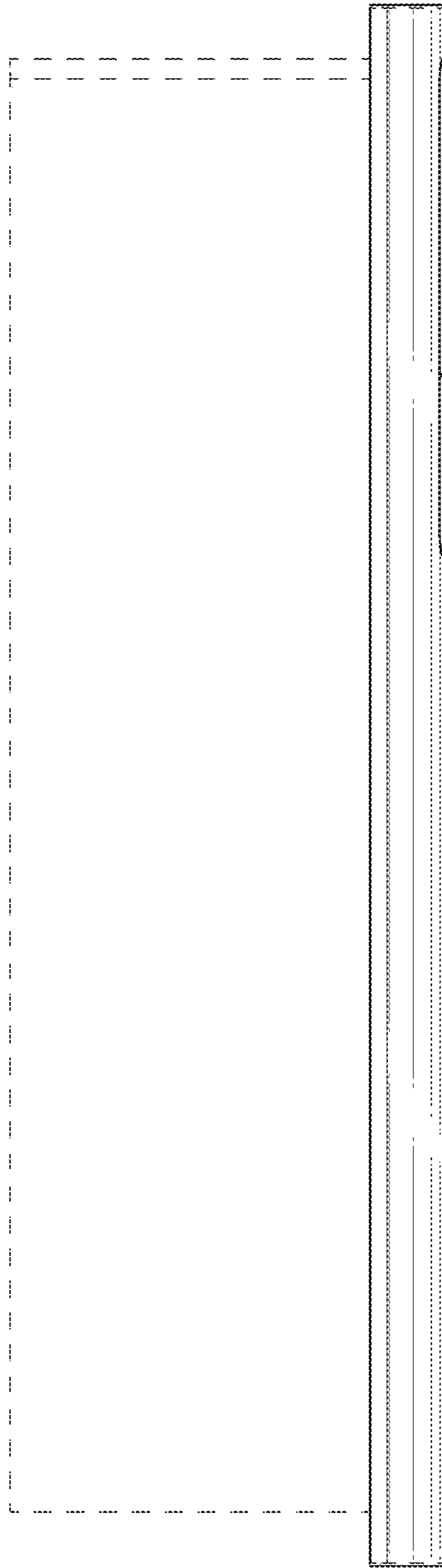


FIG. 5

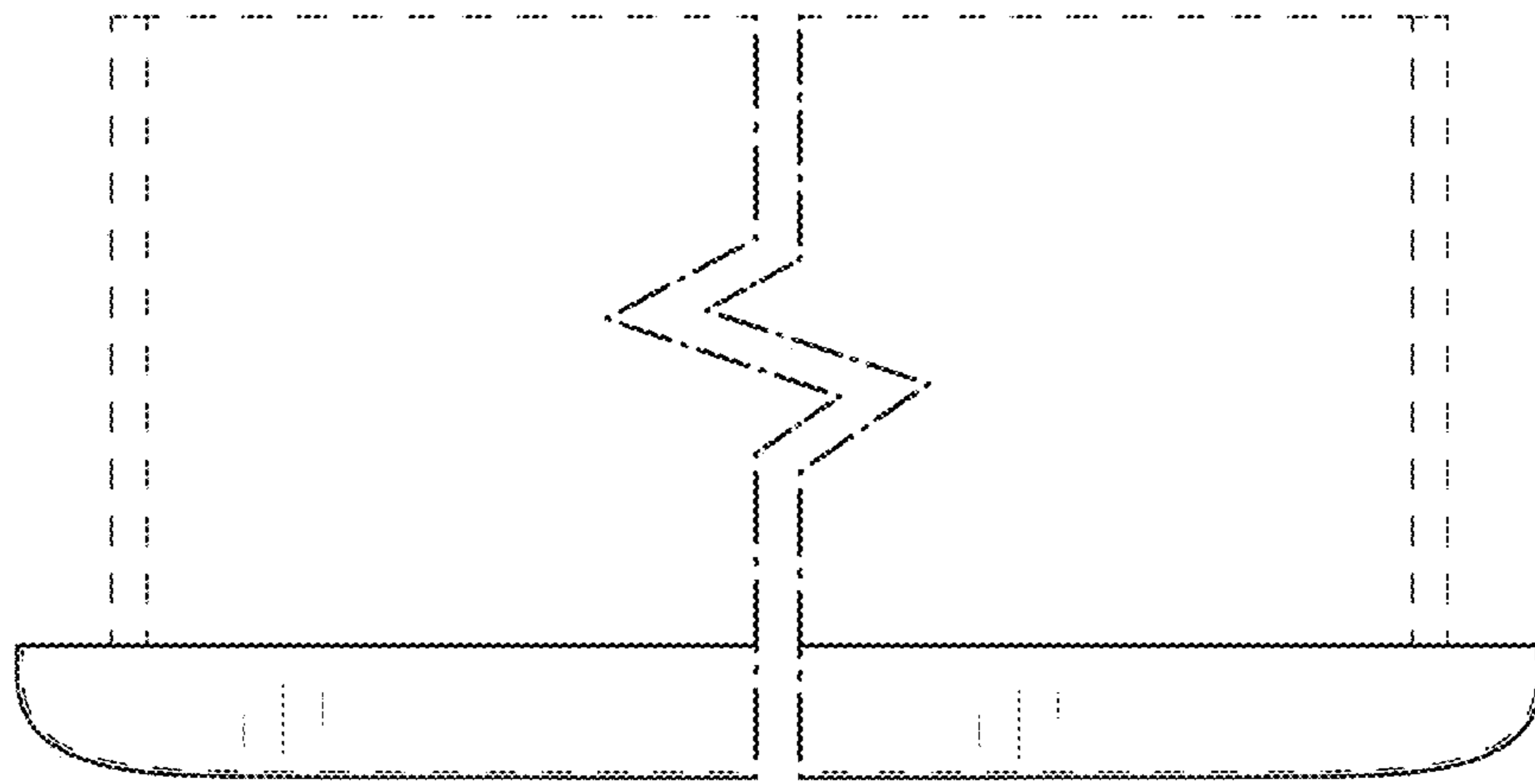


FIG. 6

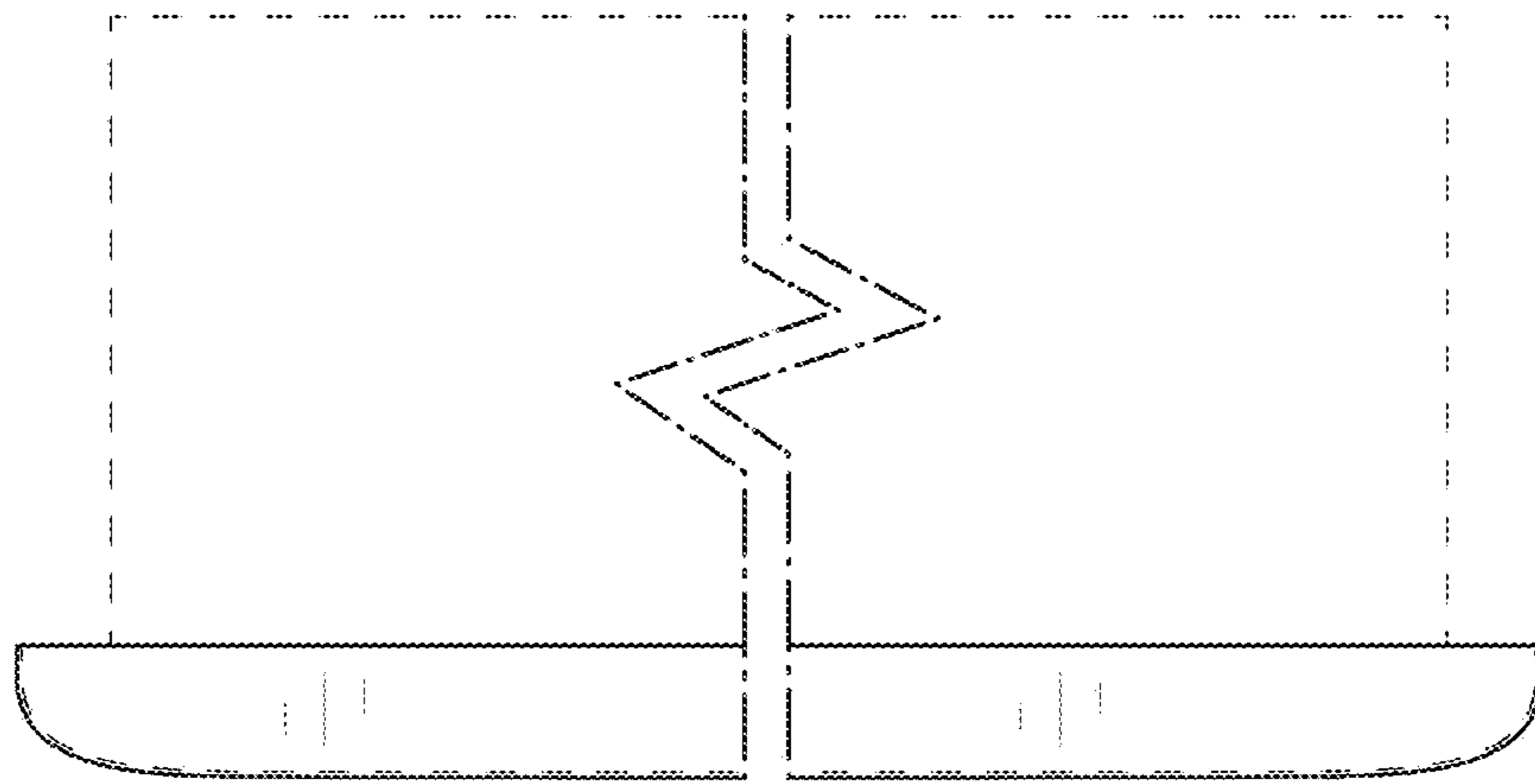


FIG. 7

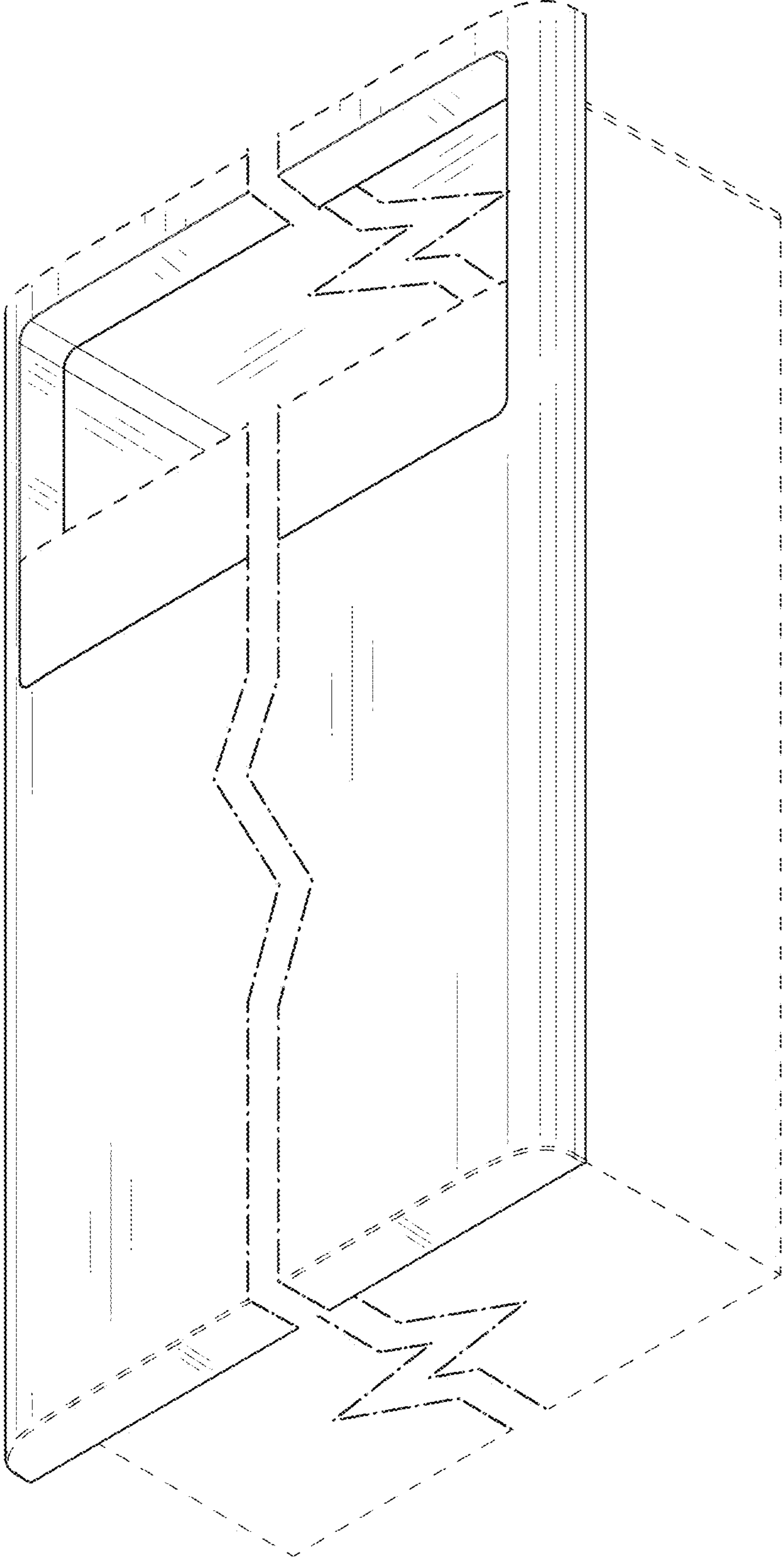


FIG. 8