



US00D948829S

(12) **United States Design Patent** (10) **Patent No.:** **US D948,829 S**  
**Park et al.** (45) **Date of Patent:** **\*\* \*Apr. 12, 2022**

(54) **IRONING BOARD**

FOREIGN PATENT DOCUMENTS

(71) Applicant: **LG ELECTRONICS INC.**, Seoul (KR)

GB 2069748 \* 2/1998  
WO D206722-001 \* 8/2021

(Continued)

(72) Inventors: **Kyutae Park**, Seoul (KR); **Hoil Jeon**, Seoul (KR); **Youngsoo Ha**, Seoul (KR); **Kyungah Lee**, Seoul (KR); **Jaecil Bae**, Seoul (KR)

OTHER PUBLICATIONS

10 Best Ironing Boards to Buy in 2021, available in [www.goodhousekeeping.com](http://www.goodhousekeeping.com), announced May 24, 2021 [online], [site visited Nov. 16, 2020], Internet URL: <https://www.goodhousekeeping.com/home-products/g36343446/best-ironing-board/> (Year: 2021).\*

(Continued)

(73) Assignee: **LG ELECTRONICS INC.**, Seoul (KR)

(\* ) Notice: This patent is subject to a terminal disclaimer.

*Primary Examiner* — Dana K Weiland

*Assistant Examiner* — Jennylou M Binas

(\*\*) Term: **15 Years**

(74) *Attorney, Agent, or Firm* — Birch, Stewart, Kolasch & Birch, LLP

(21) Appl. No.: **29/752,990**

(22) Filed: **Sep. 29, 2020**

(57) **CLAIM**

We claim the ornamental design for an ironing board, as shown and described.

(30) **Foreign Application Priority Data**

Apr. 17, 2020 (KR) ..... 30-2020-0017184

(51) **LOC (13) Cl.** ..... **07-05**

(52) **U.S. Cl.**  
USPC ..... **D32/66**

(58) **Field of Classification Search**  
USPC ..... D32/6, 9, 12, 35, 66, 67; D21/526;  
D6/559, 663, 668, 691.1, 691.3, 691.4,  
D6/691.6

CPC ..... A47B 39/06; A47B 46/00; A47B 61/02;  
A47B 63/04; A47B 77/10; A47B 77/16;  
D06F 81/00; D06F 81/003; D06F 81/006;  
D06F 81/02; D06F 81/04; D06F 81/06;

(Continued)

**DESCRIPTION**

FIG. 1 is a perspective view of an ironing board showing the new design;

FIG. 2 is a front elevation view thereof;

FIG. 3 is a rear elevation view thereof;

FIG. 4 is a left-side elevation view thereof;

FIG. 5 is a right-side elevation view thereof;

FIG. 6 is a top plan view thereof;

FIG. 7 is a bottom plan view thereof; and,

FIG. 8 is a perspective view of the ironing board shown in an alternate configuration with the ironing board, stand legs and control tower unfolded.

The broken lines shown in the drawing figures depict portions of the ironing board that form no part of the claimed design.

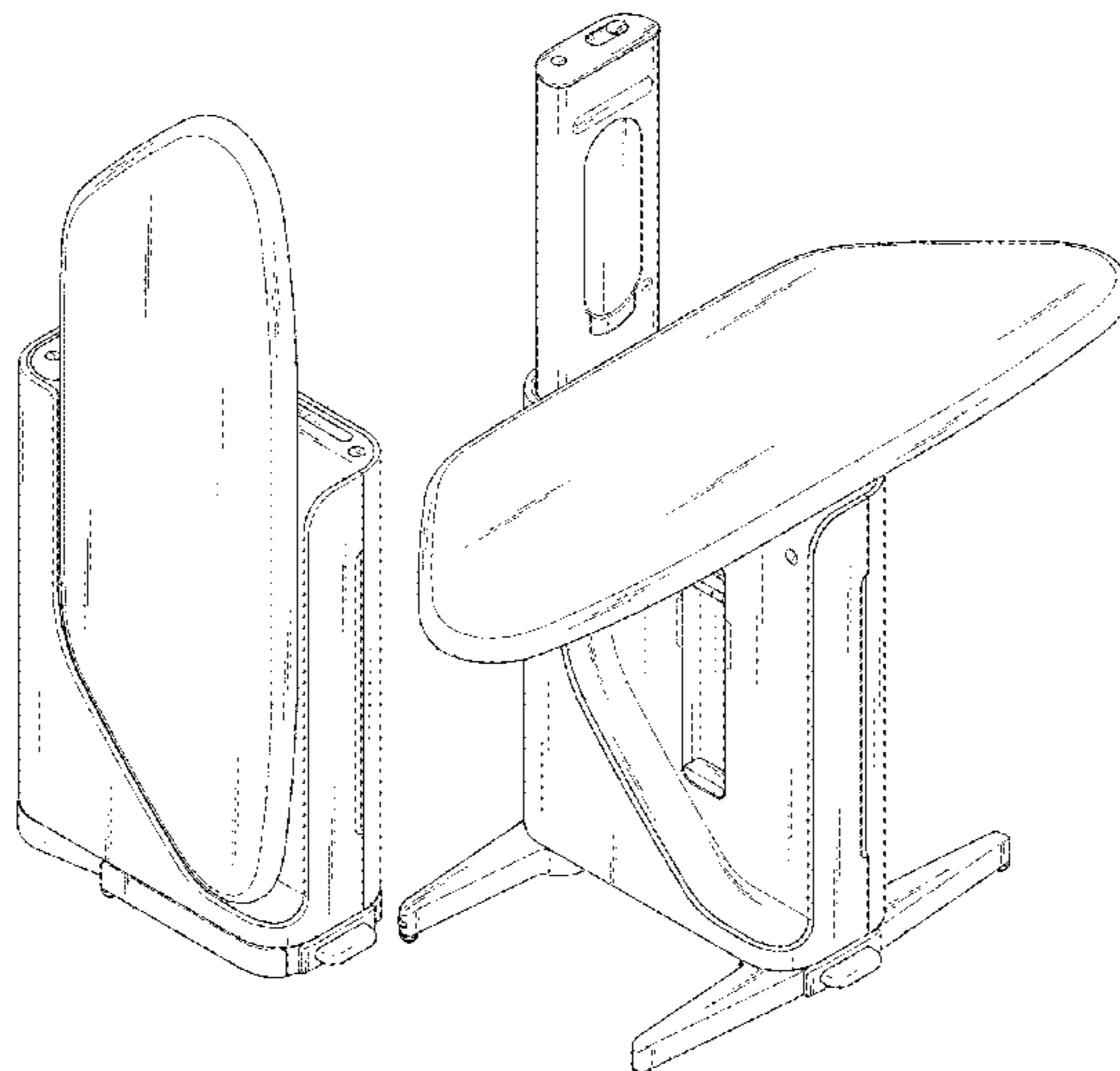
(56) **References Cited**

U.S. PATENT DOCUMENTS

D19,852 S \* 5/1890 Hicks ..... D32/66  
D47,601 S \* 7/1915 Labadie ..... D3/274

(Continued)

**1 Claim, 8 Drawing Sheets**



(58) **Field of Classification Search**

CPC ..... D06F 81/08; D06F 81/12; D06F 83/00;  
 Y10S 38/00; Y10S 38/01; Y10S 38/02;  
 Y10S 38/03; Y10T 292/305

See application file for complete search history.

FOREIGN PATENT DOCUMENTS

WO	D206724-001	*	8/2021
WO	D207412-001	*	8/2021
WO	D207428-001	*	8/2021
WO	D207572-001	*	8/2021

(56) **References Cited**

U.S. PATENT DOCUMENTS

D124,329	S	*	12/1940	Parker	.....	D32/66
D142,261	S	*	8/1945	Meyerhoefer	.....	D32/66
D159,952	S	*	9/1950	Buser	.....	D32/66
2,523,425	A	*	9/1950	Gargaglione	.....	A47B 77/10 108/13
D167,456	S	*	8/1952	Glassie et al.	.....	D32/66
D182,902	S	*	5/1958	Kemph	.....	D32/66
D183,468	S	*	9/1958	Turner	.....	D32/66
D263,781	S	*	4/1982	Pettersson	.....	D32/66
D272,008	S	*	12/1983	Flory	.....	D32/66
D348,338	S	*	6/1994	Stutzer	.....	D32/66
D373,869	S	*	9/1996	Stutzer	.....	D32/66
D413,699	S	*	9/1999	Evans	.....	D32/37
D426,040	S	*	5/2000	Wicky	.....	D32/66
D468,139	S	*	1/2003	Strong	.....	D6/709.2
D520,207	S	*	5/2006	Gross	.....	D32/66
D543,671	S	*	5/2007	Chu	.....	D32/66
D543,672	S	*	5/2007	Chu	.....	D32/66
D546,515	S	*	7/2007	Wicky	.....	D32/66
D608,515	S	*	1/2010	Park	.....	D32/66
D704,912	S	*	5/2014	Gameiro	.....	D32/66
D732,771	S	*	6/2015	Chung	.....	D32/25
D776,388	S	*	1/2017	Hernandez	.....	D32/66
D858,022	S	*	8/2019	Wang	.....	D32/66
D936,320	S	*	11/2021	Bae	.....	D32/66
D937,524	S	*	11/2021	Park	.....	D32/66
D938,123	S	*	12/2021	Bae	.....	D32/66
D939,170	S	*	12/2021	Park	.....	D32/66
D940,423	S	*	1/2022	Bae	.....	D32/66

OTHER PUBLICATIONS

KAPAS Adjustable Garment Steamer, available in freestuff.cafe, announced May 5, 2021[online], [site visited Sep. 9, 2021], URL: <https://freestuff.cafe/deals/kapas-adjustable-garment-steamer-accessories-for-clothes-build-in-rotatable-ironing-board-211-water-tank-8-ironing-options-for-different-clothes/> (Year: 2021).\*

Flash Furniture Trapezoid Table, available in Amazon.com, date 1st available Mar. 26, 2012[online],[site visited Sep. 21, 2021], Available internet URL: [https://www.amazon.com/Flash-Furniture-Trapezoid-Laminate-Activity/dp/B00777WHJQ/ref=sr\\_1\\_1?dchild=1&keywords=B00777WHJQ&qid=1632242139&s=home-garden&sr=1-1](https://www.amazon.com/Flash-Furniture-Trapezoid-Laminate-Activity/dp/B00777WHJQ/ref=sr_1_1?dchild=1&keywords=B00777WHJQ&qid=1632242139&s=home-garden&sr=1-1) (Year: 2012).\*

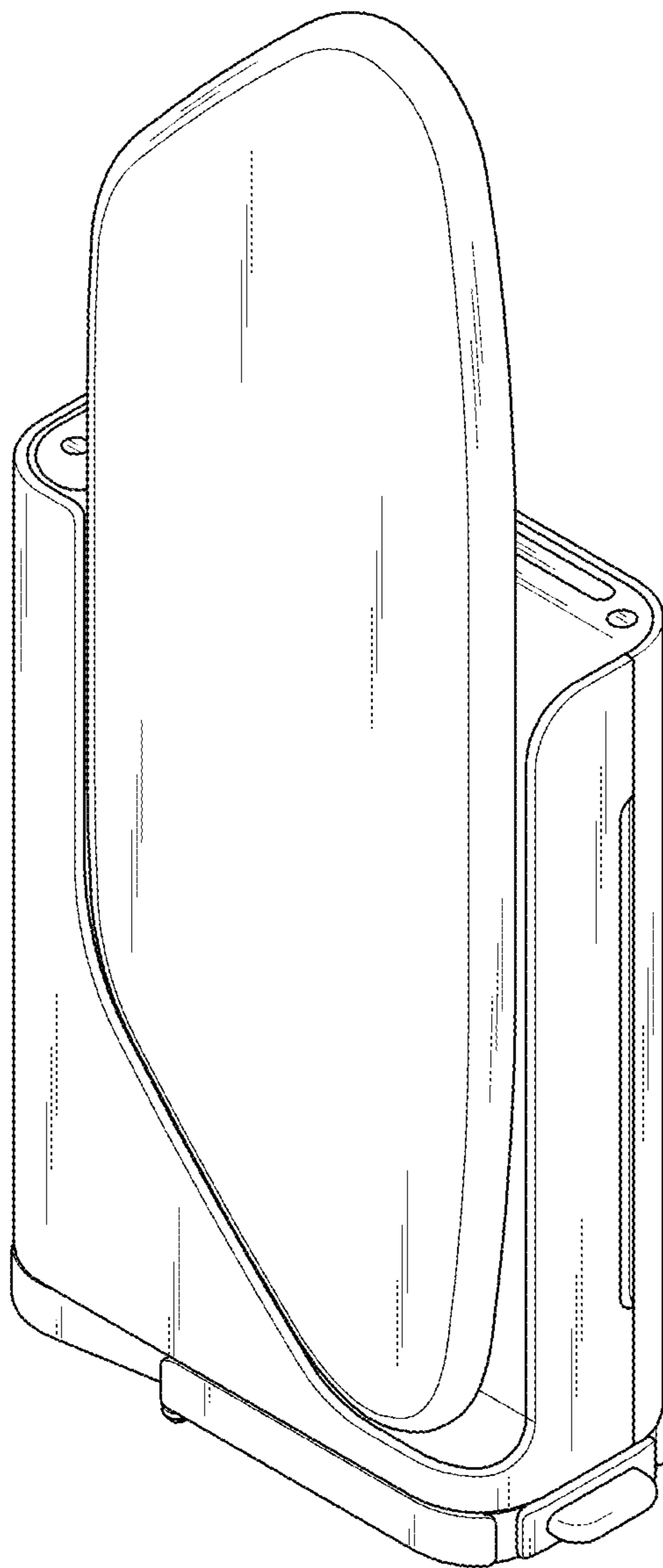
Ironing board: 30 clever helpers, announced in YouTube on May 27, 2015 [online], [site visited Sep. 22, 2021], Available from the internet URL: <https://www.youtube.com/watch?v=CEO-TPqKQv4> (Year: 2015).\*

SINGES Collapsible Clothes Drying Rack, customer review oldest date Feb. 16, 2021 [online], [site visited Sep. 23, 2021], Available from the internet . . . URL: <https://www.walmart.com/ip/SINGES-Collapsible-Clothes-Drying-Rack-Portable-Garment-Racks-Indoor-Outdoor-Foldable-Standing-Laundry-Clothes-Tripod-Stand-Steamer-Hanger-Stand/308331609> (Year: 2021).\*

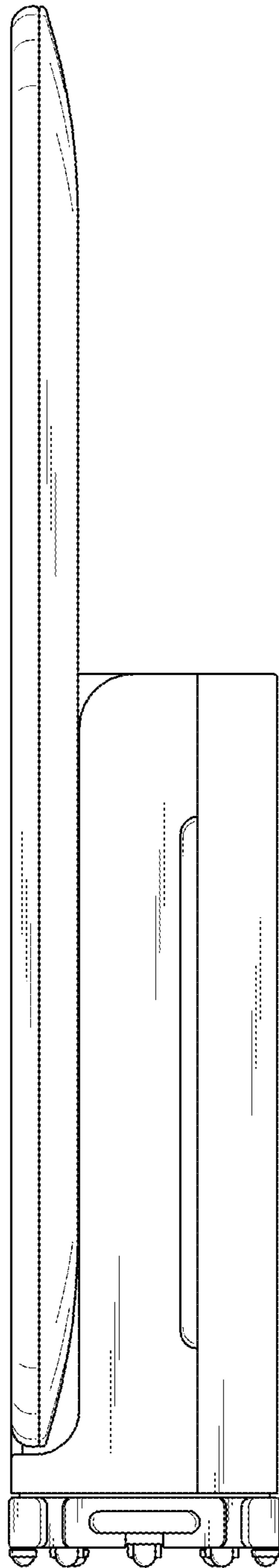
Miele B3847 Fashionmaster Ironing System, date 1st available Mar. 9, 2017[online],[site visited Sep. 9, 2021], Available from the internet URL: [https://www.amazon.ca/Miele-B3847-Fashionmaster-Ironing-System/dp/B01N705TG5/ref=sr\\_1\\_1?dchild=1&keywords=Miele+FashionMaster+Ironing+System&qid=1631218268&sr=8-1](https://www.amazon.ca/Miele-B3847-Fashionmaster-Ironing-System/dp/B01N705TG5/ref=sr_1_1?dchild=1&keywords=Miele+FashionMaster+Ironing+System&qid=1631218268&sr=8-1) (Year: 2017).\*

\* cited by examiner

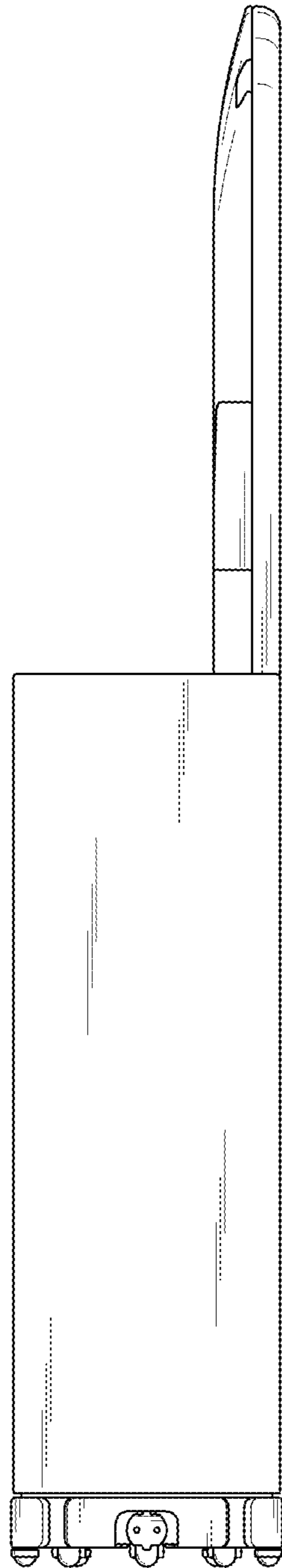
*FIG. 1*



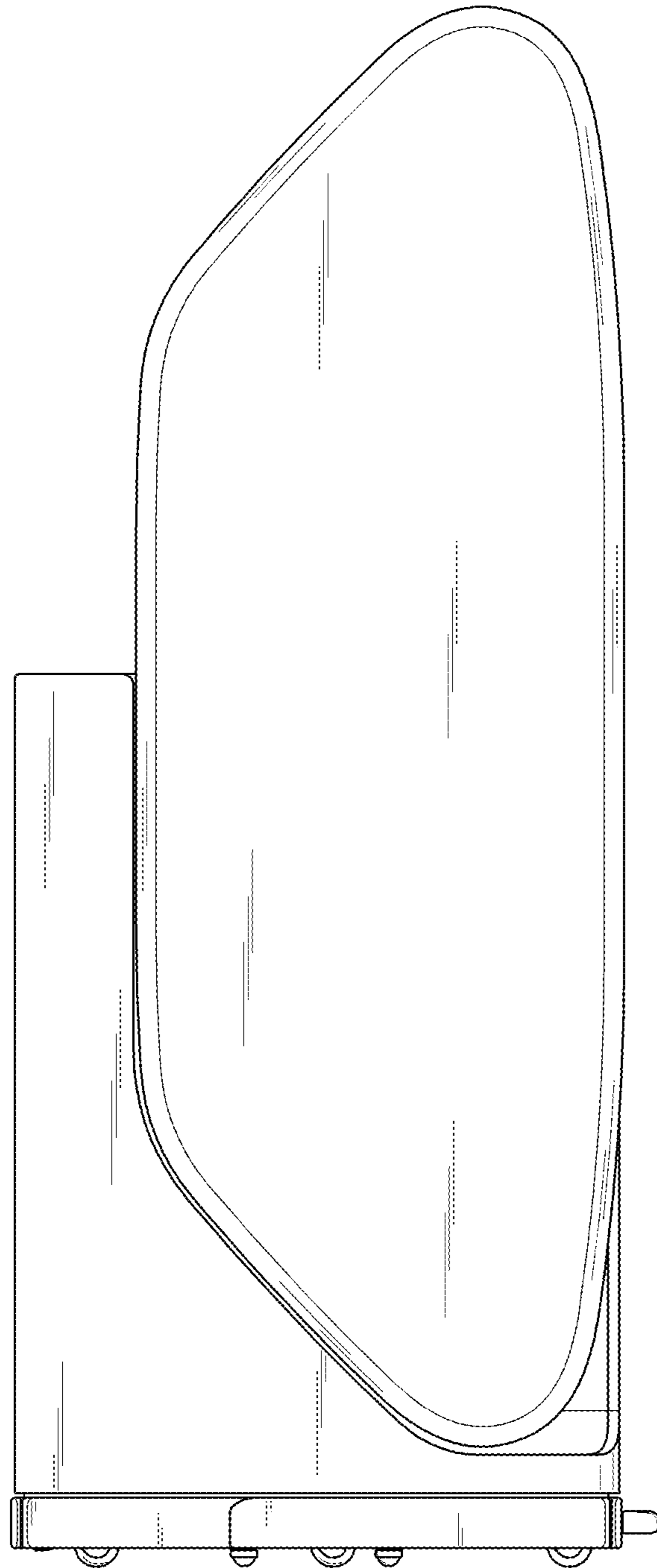
*FIG. 2*



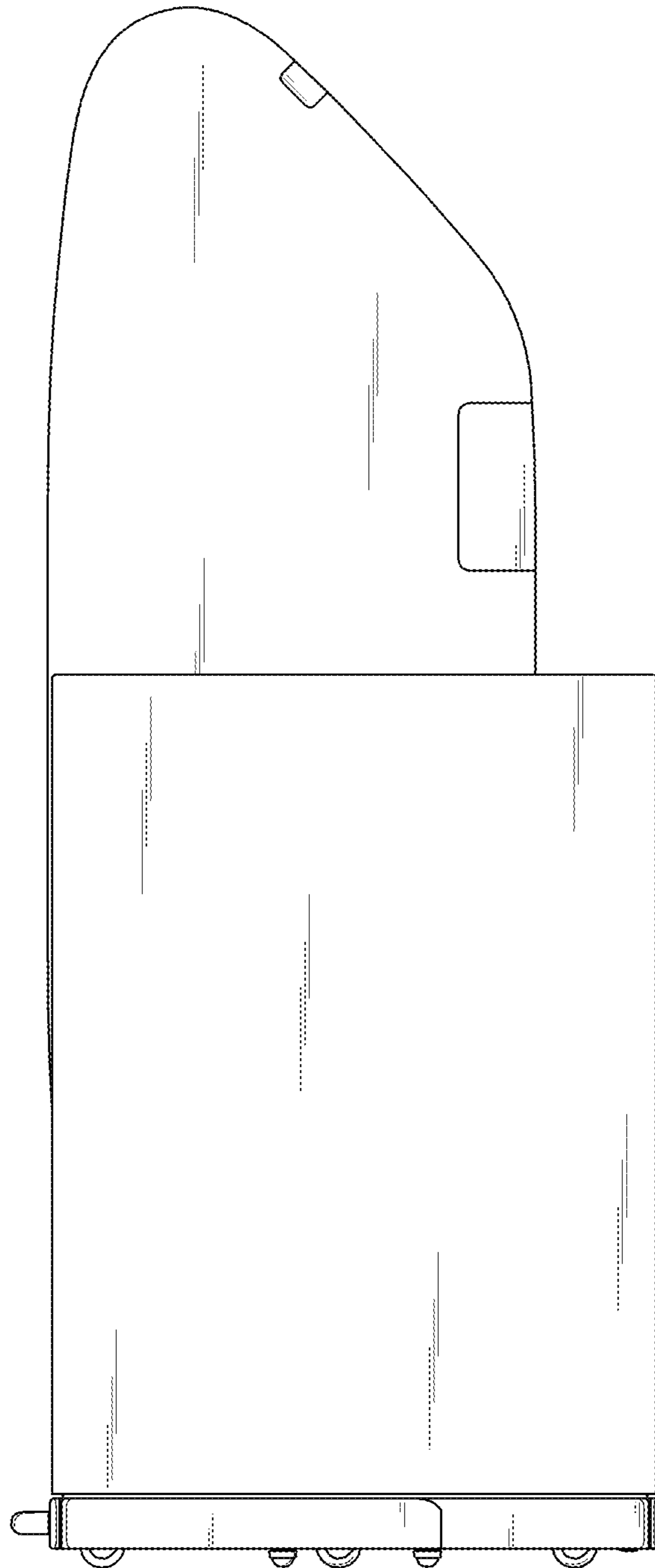
*FIG. 3*



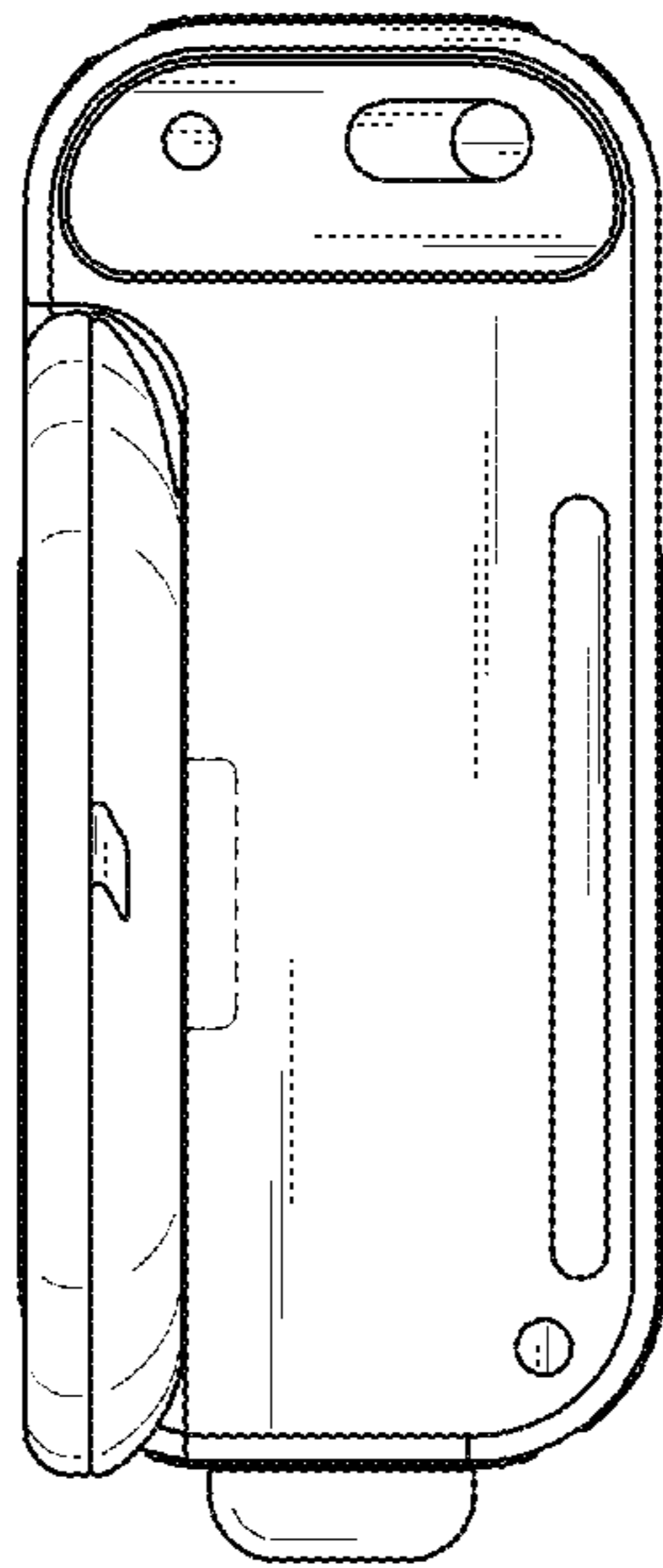
*FIG. 4*



*FIG. 5*

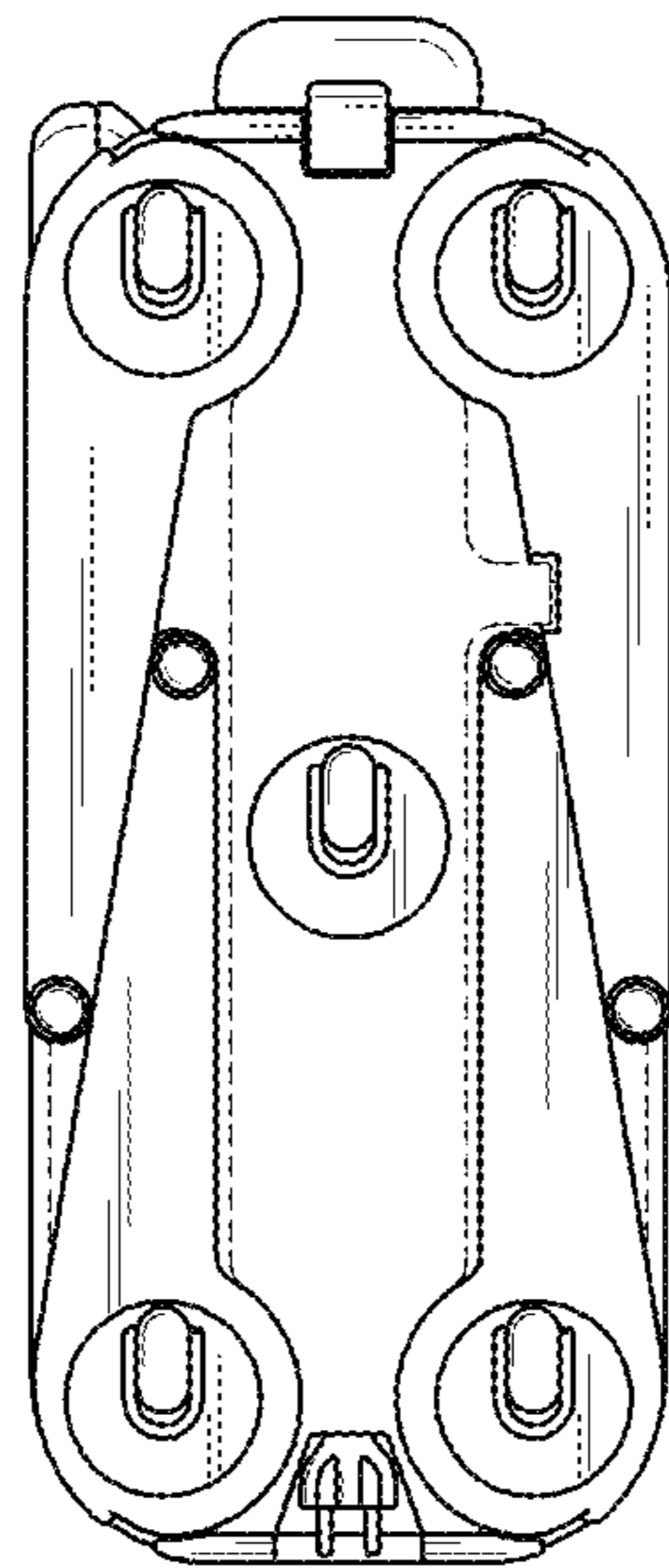


*FIG. 6*





*FIG. 7*



*FIG. 8*

