



US00D948827S

(12) **United States Design Patent** (10) **Patent No.:** **US D948,827 S**  
**Park et al.** (45) **Date of Patent:** **\*\* Apr. 12, 2022**

(54) **IRONING BOARD**

FOREIGN PATENT DOCUMENTS

(71) Applicant: **LG ELECTRONICS INC.**, Seoul (KR)

WO D206437-001 \* 8/2021  
WO D206925-001 \* 8/2021

(Continued)

(72) Inventors: **Kyutae Park**, Seoul (KR); **Jaecil Bae**, Seoul (KR); **Kyungah Lee**, Seoul (KR); **Hoil Jeon**, Seoul (KR); **Youngsoo Ha**, Seoul (KR)

OTHER PUBLICATIONS

(73) Assignee: **LG ELECTRONICS INC.**, Seoul (KR)

Flash Furniture 29.5"W x 57.25"L Trapezoid Grey HP Laminate Activity Table, available in Amazon.com, date first available Mar. 26, 2012 [online], [site visited Sep. 21, 2021], Available internet URL: [https://www.amazon.com/Flash-Furniture-Trapezoid-Laminate-Activity/dp/B00777WHJQ/ref=sr\\_1\\_1?dchild=1&keywords=B00777WHJQ&qid=1632242139&s=home-garden&s=1-1](https://www.amazon.com/Flash-Furniture-Trapezoid-Laminate-Activity/dp/B00777WHJQ/ref=sr_1_1?dchild=1&keywords=B00777WHJQ&qid=1632242139&s=home-garden&s=1-1) (Year: 2012).\*

(\*\*) Term: **15 Years**

(Continued)

(21) Appl. No.: **29/724,745**

(22) Filed: **Feb. 19, 2020**

*Primary Examiner* — Dana K Weiland  
*Assistant Examiner* — Jennylou M Binas

(30) **Foreign Application Priority Data**

Aug. 20, 2019 (KR) ..... 30-2019-0039772

(74) *Attorney, Agent, or Firm* — Birch, Stewart, Kolasch & Birch, LLP

(51) **LOC (13) Cl.** ..... **07-05**

(57) **CLAIM**

(52) **U.S. Cl.**  
USPC ..... **D32/66**

We claim the ornamental design for an ironing board, as shown and described.

(58) **Field of Classification Search**  
USPC ..... D32/6, 9, 35, 66, 67; D21/526; D6/559, D6/663, 668, 691.1, 691.3, 691.4  
CPC ..... A47B 39/06; A47B 46/00; A47B 61/02; A47B 63/04; A47B 77/10; A47B 77/16; D06F 81/00; D06F 81/003; D06F 81/006; D06F 81/02; D06F 81/04; D06F 81/06; D06F 81/08; D06F 81/12; D06F 83/00; Y10S 38/00; Y10S 38/01; Y10S 38/02; Y10S 38/03; Y10T 292/305

**DESCRIPTION**

See application file for complete search history.

FIG. 1 is a perspective view of an ironing board showing the new design;  
FIG. 2 is a front elevation view thereof;  
FIG. 3 is a rear elevation view thereof;  
FIG. 4 is a left-side elevation view thereof;  
FIG. 5 is a right-side elevation view thereof;  
FIG. 6 is a top plan view thereof;  
FIG. 7 is a bottom plan view thereof; and,  
FIG. 8 is a perspective view of the ironing board shown in an unfolded state.

(56) **References Cited**

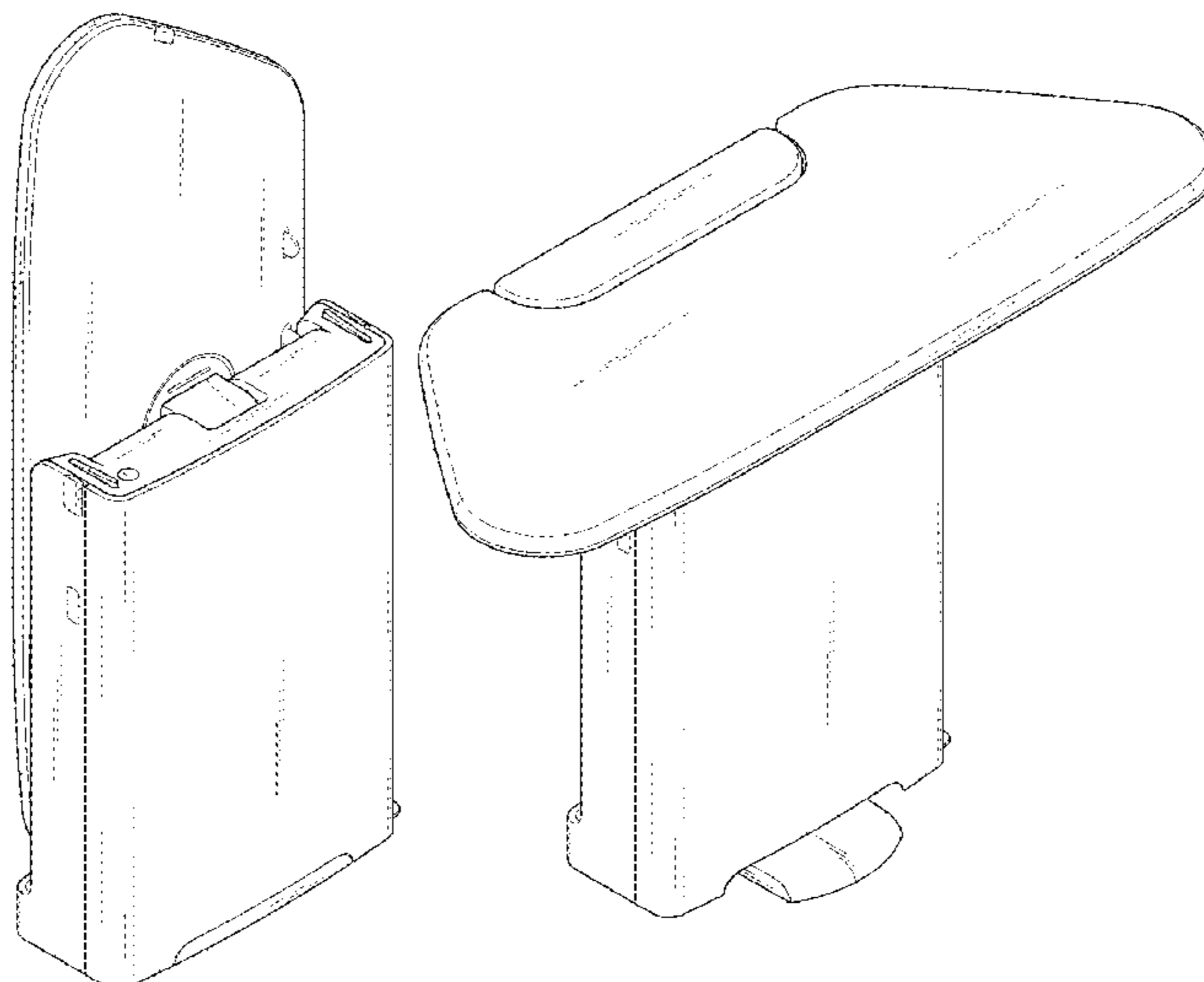
U.S. PATENT DOCUMENTS

D19,852 S \* 5/1890 Hicks ..... D32/66  
D47,601 S \* 7/1915 Labadie ..... D3/274

The parts of the ironing board shown by means of broken lines in the drawing figures are not part of the claimed design.

(Continued)

**1 Claim, 8 Drawing Sheets**



(56)

References Cited

U.S. PATENT DOCUMENTS

D124,329 S \* 12/1940 Parker ..... D32/66  
 D142,261 S \* 8/1945 Meyerhoefer ..... D32/66  
 D159,952 S \* 9/1950 Buser ..... D32/66  
 2,523,425 A \* 9/1950 Gargaglione ..... A47B 77/10  
 108/13  
 D167,456 S \* 8/1952 Glassie et al. .... D32/66  
 D182,902 S \* 5/1958 Kempf ..... D32/66  
 D183,468 S \* 9/1958 Turner ..... D32/66  
 D263,781 S \* 4/1982 Pettersson ..... D32/66  
 D272,008 S \* 12/1983 Flory ..... D32/66  
 D348,338 S \* 6/1994 Stutzer ..... D32/66  
 D373,869 S \* 9/1996 Stutzer ..... D32/66  
 D413,699 S \* 9/1999 Evans ..... D32/37  
 D426,040 S \* 5/2000 Wicky ..... D32/66  
 D427,402 S \* 6/2000 Kellogg ..... D32/66  
 D543,671 S \* 5/2007 Chu ..... D32/66  
 D543,672 S \* 5/2007 Chu ..... D32/66  
 D546,515 S \* 7/2007 Wicky ..... D32/66  
 D608,515 S \* 1/2010 Park ..... D32/66  
 D704,912 S \* 5/2014 Gameiro ..... D32/66  
 D732,771 S \* 6/2015 Chung ..... D32/25  
 D858,022 S \* 8/2019 Wang ..... D32/66  
 D937,524 S \* 11/2021 Park ..... D32/66  
 D939,170 S \* 12/2021 Park ..... D32/66

FOREIGN PATENT DOCUMENTS

WO D206926-001 \* 8/2021  
 WO D207135-001 \* 8/2021

OTHER PUBLICATIONS

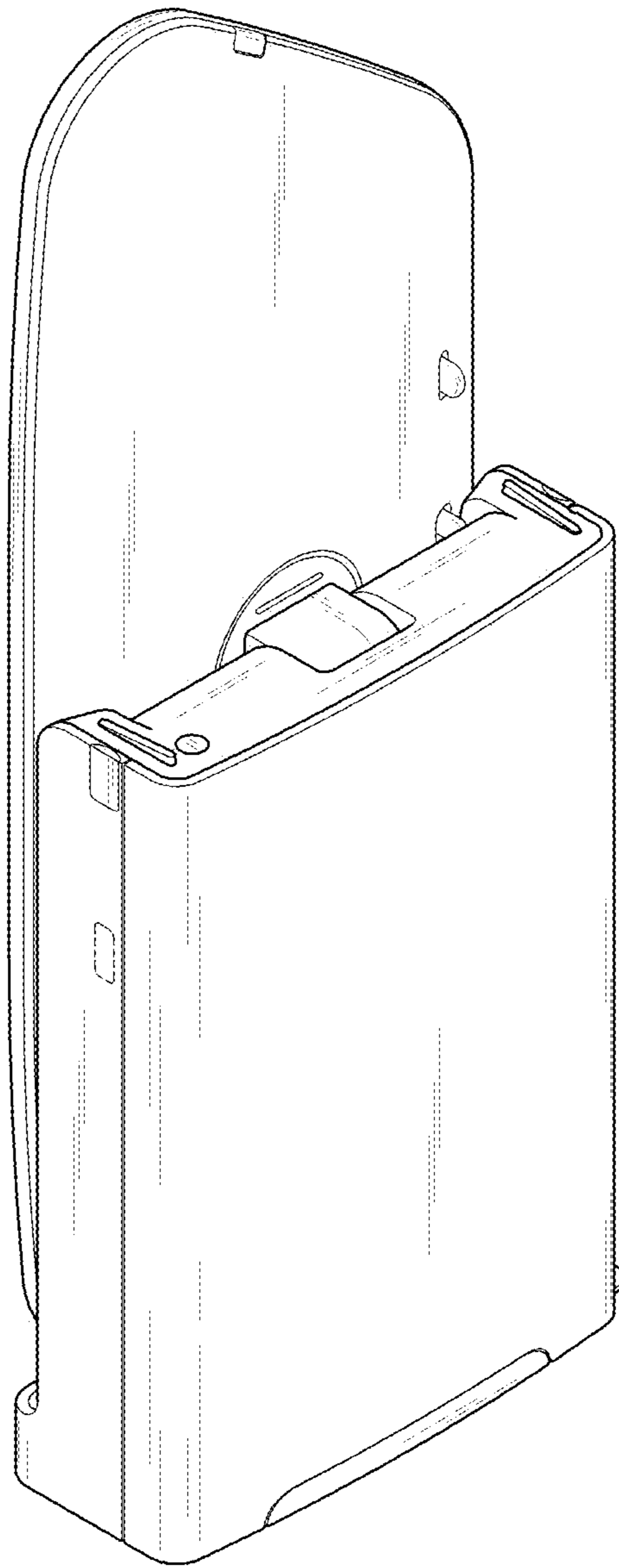
10 Best Ironing Boards to Buy in 2021, available in [www.goodhousekeeping.com](http://www.goodhousekeeping.com), announced May 24, 2021 [online], [site visited Nov. 16, 2020], Internet URL: <https://www.goodhousekeeping.com/home-products/g36343446/best-ironing-board/> (Year: 2021).\*

KAPAS Adjustable Garment Steamer, available in [freestuff.cafe](http://freestuff.cafe), announced May 5, 2021 [online], [site visited Sep. 9, 2021], URL: <https://freestuff.cafe/deals/kapas-adjustable-garment-steamer-accessories-for-clothes-build-in-rotatable-ironing-board-211-water-tank-8-ironing-options-for-different-clothes/> (Year: 2021).\*

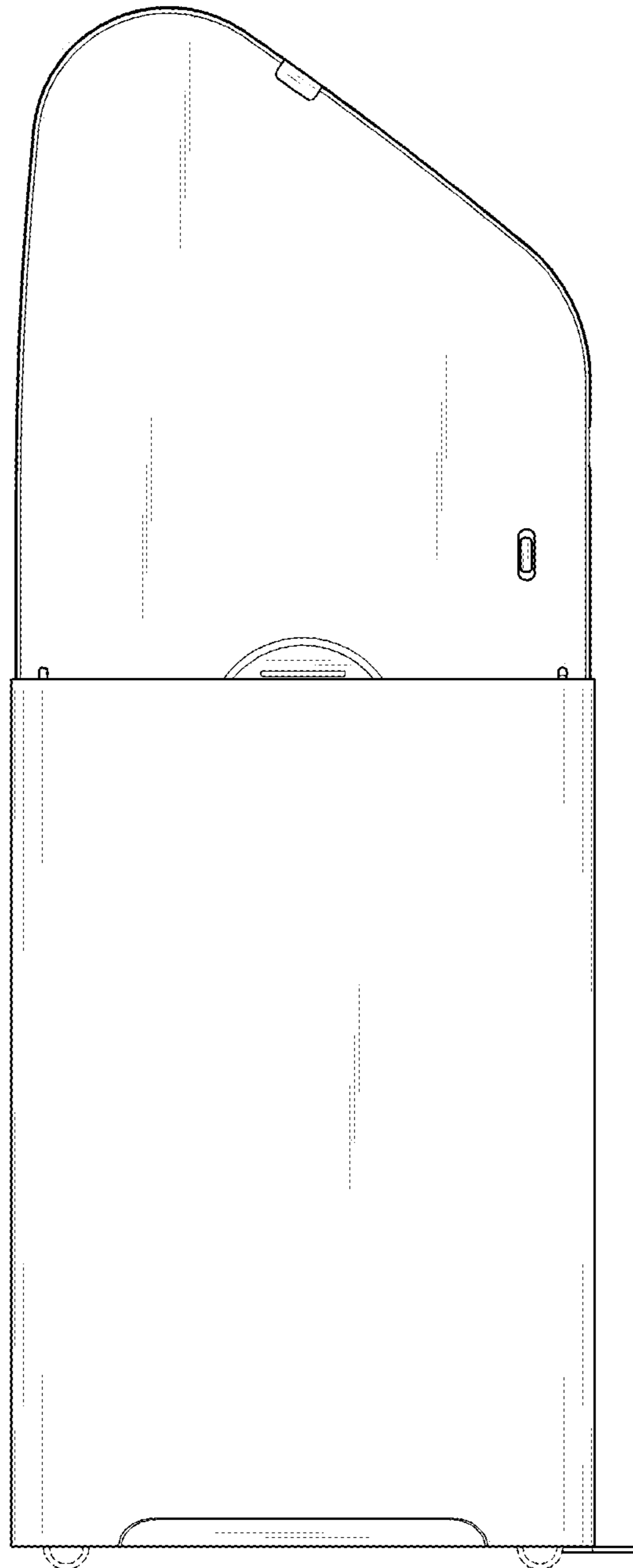
Miele B3847 Fashionmaster Ironing System, date 1st available Mar. 9, 2017[online],[site visited Sep. 9, 2021], Available from the internet URL: [https://www.amazon.ca/Miele-B3847-Fashionmaster-Ironing-System/dp/B01N705TG5/ref=sr\\_1\\_1?dchild=1&keywords=Miele+FashionMaster+Ironing+System&qid=1631218268&sr=8-1](https://www.amazon.ca/Miele-B3847-Fashionmaster-Ironing-System/dp/B01N705TG5/ref=sr_1_1?dchild=1&keywords=Miele+FashionMaster+Ironing+System&qid=1631218268&sr=8-1) (Year: 2017).\*

\* cited by examiner

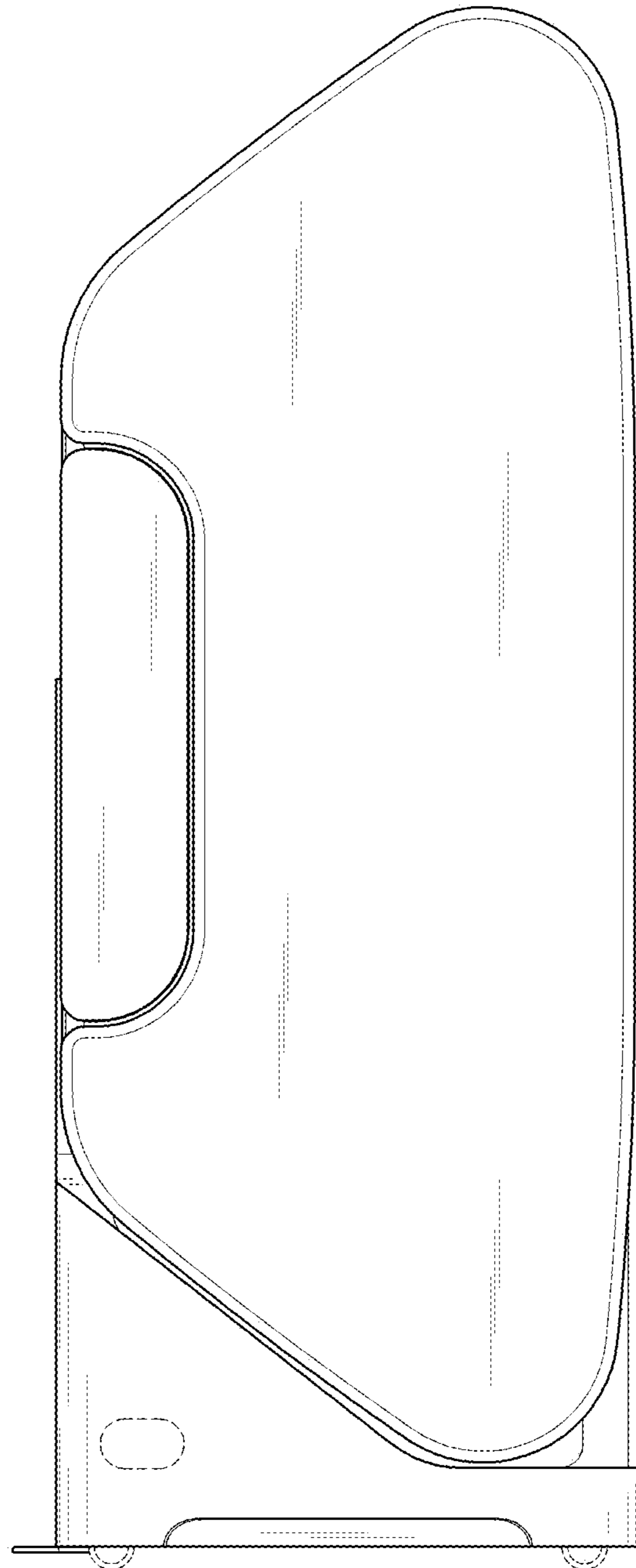
*FIG. 1*



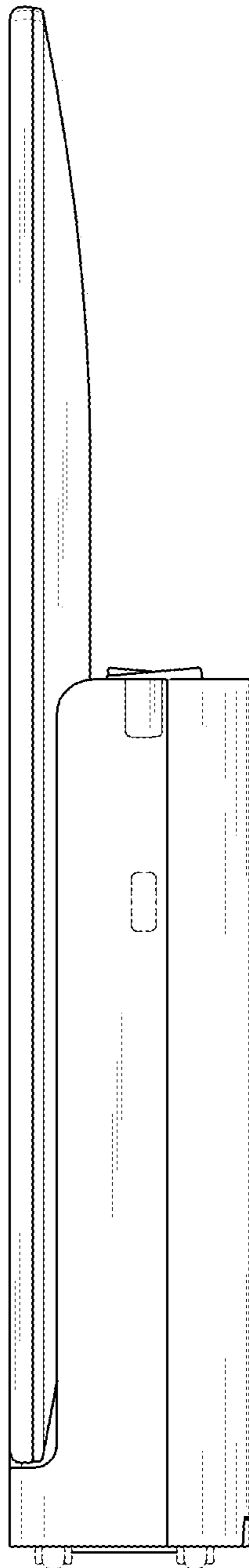
*FIG. 2*



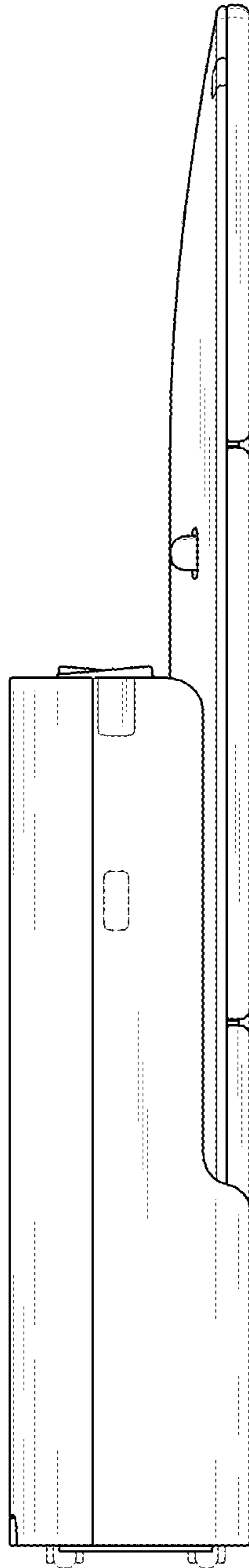
*FIG. 3*



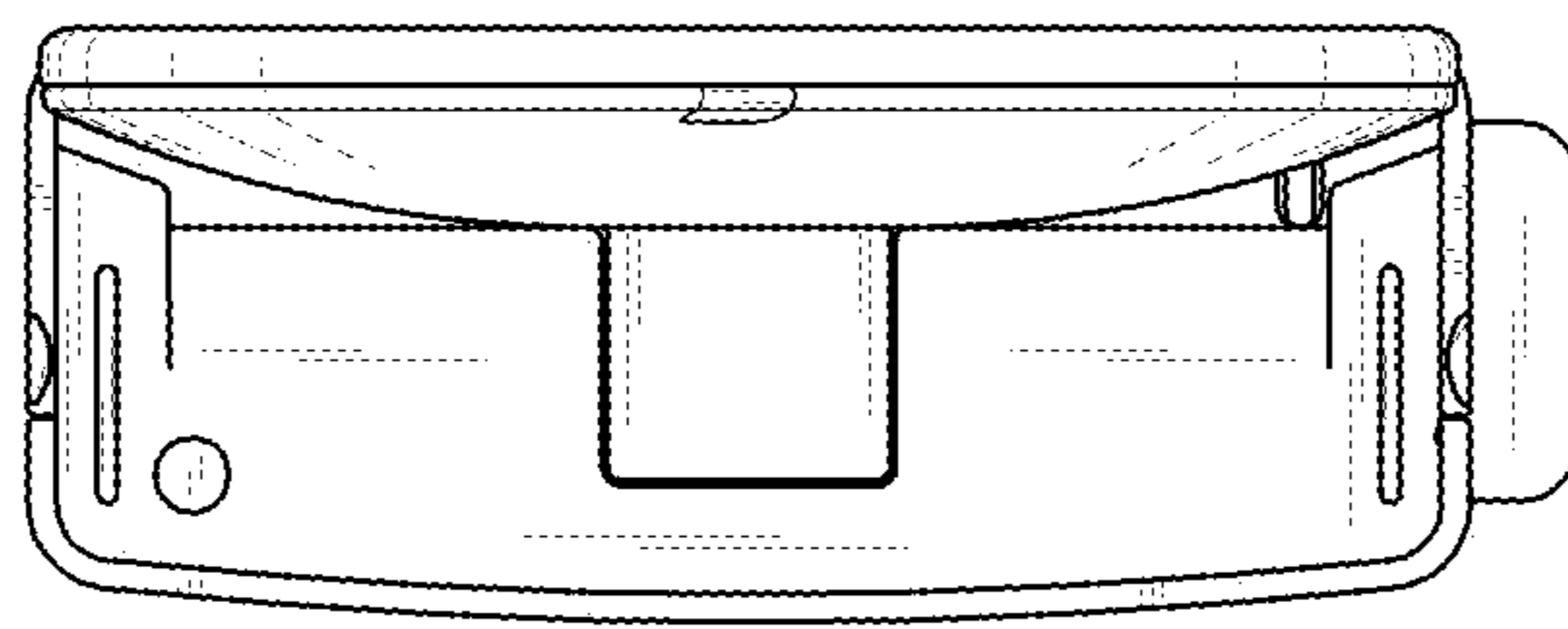
*FIG. 4*



*FIG. 5*

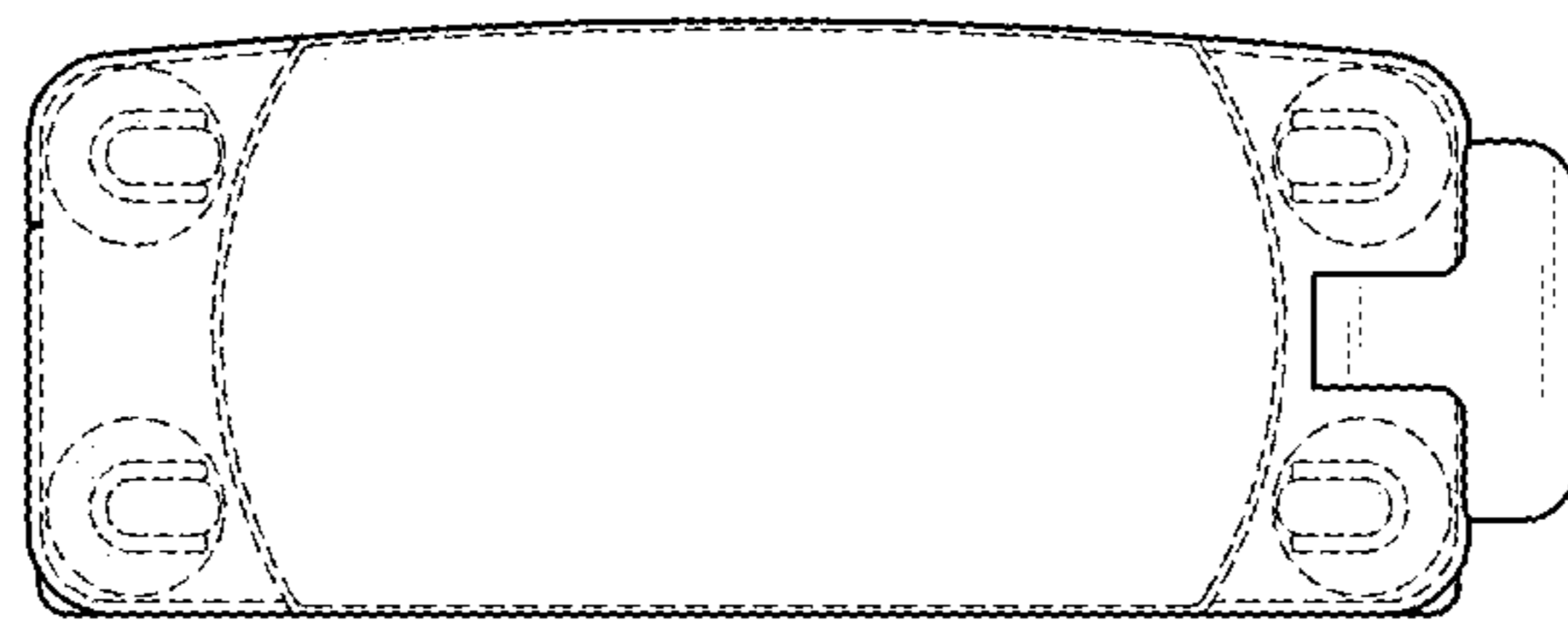


*FIG. 6*





*FIG. 7*



*FIG. 8*

