

US00D948826S

(12) **United States Design Patent** (10) **Patent No.:** **US D948,826 S**
Bae et al. (45) **Date of Patent:** **** *Apr. 12, 2022**

(54) **IRONING BOARD**

Y10S 38/00; Y10S 38/01; Y10S 38/02;
Y10S 38/03; Y10T 292/305

See application file for complete search history.

(71) Applicant: **LG ELECTRONICS INC.**, Seoul
(KR)

(56) **References Cited**

U.S. PATENT DOCUMENTS

(72) Inventors: **Jaecil Bae**, Seoul (KR); **Kyutae Park**,
Seoul (KR); **Kyungah Lee**, Seoul (KR);
Hoil Jeon, Seoul (KR); **Youngsoo Ha**,
Seoul (KR)

D19,852 S * 5/1890 Hicks D32/66
D47,601 S * 7/1915 Labadie D3/274
(Continued)

FOREIGN PATENT DOCUMENTS

(73) Assignee: **LG ELECTRONICS INC.**, Seoul
(KR)

CN 3490017 * 12/2005
KR 300939798.0000 * 1/2018
(Continued)

(*) Notice: This patent is subject to a terminal disclaimer.

OTHER PUBLICATIONS

(**) Term: **15 Years**

Homz Durabilt DX1500 Premium Steel Top Ironing Board, date first available Jan. 18, 2016 [online], [site visited Sep. 7, 2021], Available from the internet URL: https://www.amazon.ca/dp/B016CZP1CI/ref=emc_b_5_i (Year: 2016).*

(21) Appl. No.: **29/724,605**

(Continued)

(22) Filed: **Feb. 18, 2020**

Primary Examiner — Dana K Weiland
Assistant Examiner — Jennylou M Binas

(30) **Foreign Application Priority Data**

Aug. 19, 2019 (KR) 30-2019-0039554

(74) *Attorney, Agent, or Firm* — Birch, Stewart, Kolasch & Birch, LLP

(51) **LOC (13) Cl.** **07-05**

(57) **CLAIM**

(52) **U.S. Cl.**

We claim the ornamental design for an ironing board, as shown and described.

USPC **D32/66**

DESCRIPTION

(58) **Field of Classification Search**

USPC D32/6, 9, 35, 60, 66, 67; D21/526;
D6/559, 663, 668, 691.1, 691.3, 691.4
CPC A47B 39/06; A47B 46/00; A47B 61/02;
A47B 63/04; A47B 77/10; A47B 77/16;
D06F 81/00; D06F 81/003; D06F 81/006;
D06F 81/02; D06F 81/04; D06F 81/06;
D06F 81/08; D06F 81/12; D06F 83/00;

FIG. 1 is a perspective view of an ironing board showing the new design;
FIG. 2 is a front elevation view thereof;
FIG. 3 is a rear elevation view thereof;
FIG. 4 is a left-side elevation view thereof;
FIG. 5 is a right-side elevation view thereof;
FIG. 6 is a top plan view thereof;
FIG. 7 is a bottom plan view thereof; and,

(Continued)

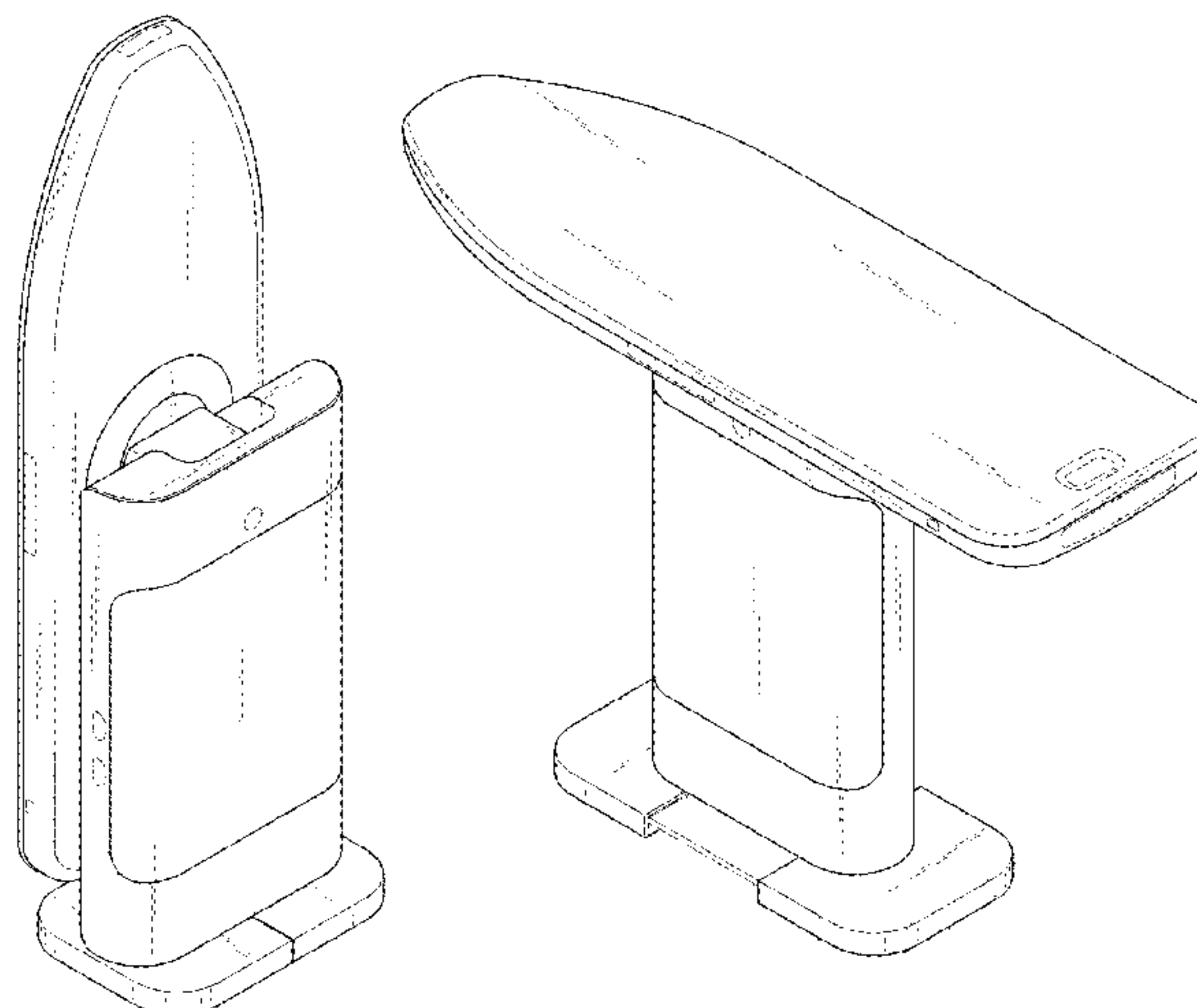


FIG. 8 is a perspective view showing an unfolded state thereof.

The parts of the ironing board shown by means of broken lines in the drawing figures are not part of the claimed design.

1 Claim, 8 Drawing Sheets

(56)

References Cited

U.S. PATENT DOCUMENTS

D124,329 S *	12/1940	Parker	D32/66
D142,261 S *	8/1945	Meyerhoefer	D32/66
D159,952 S *	9/1950	Buser	D32/66
2,523,425 A *	9/1950	Gargaglione	A47B 77/10 108/13
D167,456 S *	8/1952	Glassie et al.	D32/66
D182,902 S *	5/1958	Kemph	D32/66
D183,468 S *	9/1958	Turner	D32/66
D272,008 S *	12/1983	Flory	D32/66
D413,699 S *	9/1999	Evans	D32/37
D426,040 S *	5/2000	Wicky	D32/66
D427,402 S *	6/2000	Kellogg	D32/66
D434,541 S *	11/2000	Black	D32/66
D514,766 S *	2/2006	Manfrotto	D32/66
D520,207 S *	5/2006	Gross	D32/66
D543,671 S *	5/2007	Chu	D32/66
D543,672 S *	5/2007	Chu	D32/66
D546,515 S *	7/2007	Wicky	D32/66
D704,912 S *	5/2014	Gameiro	D32/66

D732,771 S *	6/2015	Chung	D32/25
D858,022 S *	8/2019	Wang	D32/66
D937,524 S *	11/2021	Park	D32/66
D938,123 S *	12/2021	Bae	D32/66
D939,170 S *	12/2021	Park	D32/66

FOREIGN PATENT DOCUMENTS

KR	301125779.0000	*	9/2021
SG	2006493G-0001	*	7/2006
WO	D206394-001	*	8/2021
WO	D206452-001	*	8/2021
WO	D206463-001	*	8/2021

OTHER PUBLICATIONS

Kapas Adjustable Garment Steamer, available in freestuff.cafe, announced May 5, 2021[online], [site visited Sep. 9, 2021], URL: <https://freestuff.cafe/deals/kapas-adjustable-garment-steamer-accessories-for-clothes-build-in-rotatable-ironing-board-211-water-tank-8-ironing-options-for-different-clothes/> (Year: 2021).*

10 Best Ironing Boards to Buy in 2021, available in www.goodhousekeeping.com, announced May 24, 2021 [online], [site visited Nov. 16, 2020], Internet URL: <https://www.goodhousekeeping.com/home-products/g36343446/best-ironing-board/> (Year: 2021).*

Miele B3847 Fashionmaster Ironing System, date 1st available Mar. 9, 2017[online],[site visited Sep. 9, 2021], Available from the internet URL: https://www.amazon.ca/Miele-B3847-Fashionmaster-Ironing-System/dp/B01N705TG5/ref=sr_1_1?dchild=1&keywords=Miele+FashionMaster+Ironing+System&qid=1631218268&sr=8-1 (Year: 2017).*

* cited by examiner

FIG. 1

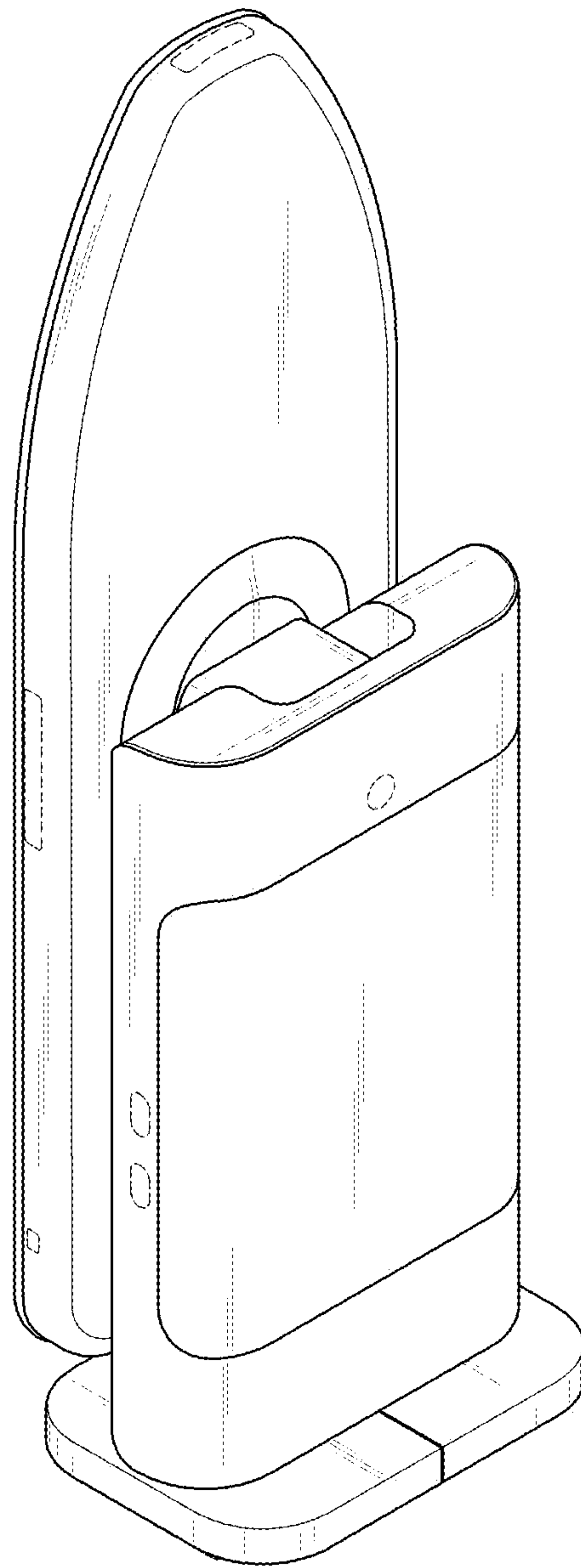


FIG. 2

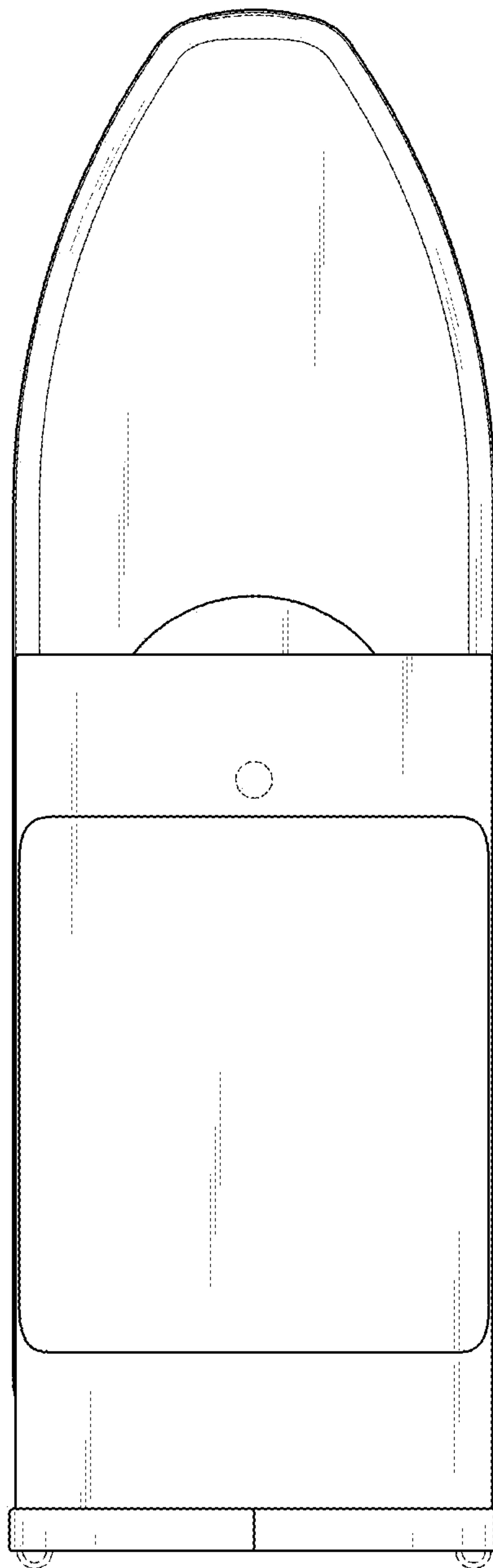


FIG. 3

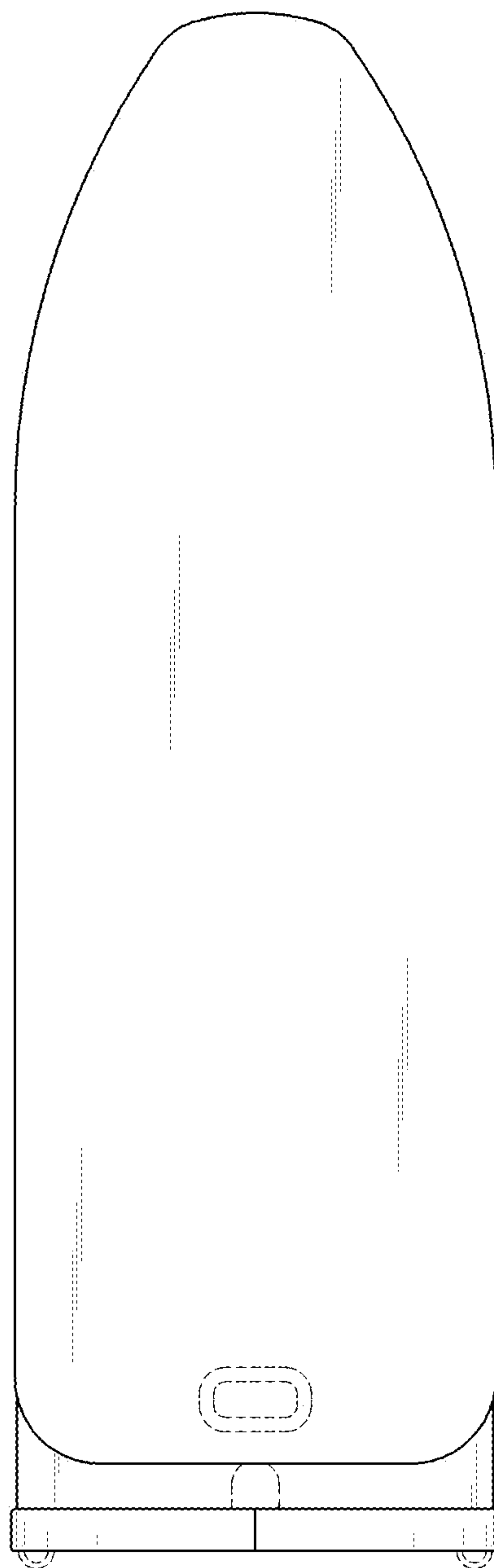


FIG. 4

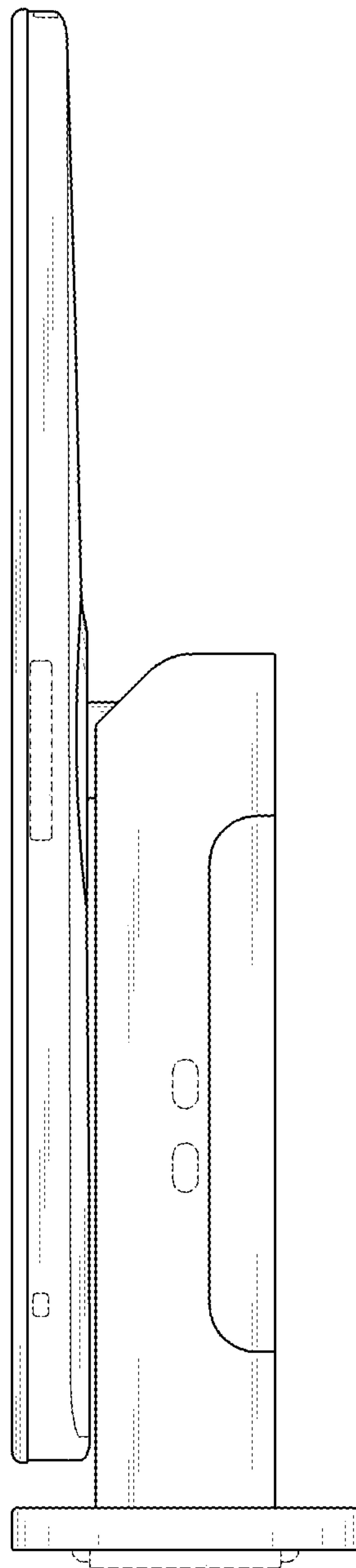


FIG. 5

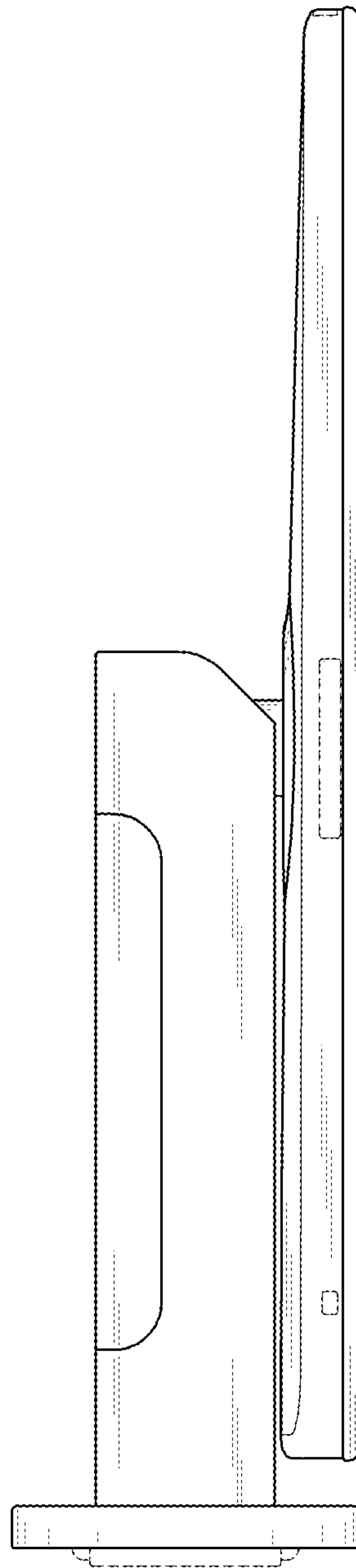


FIG. 6

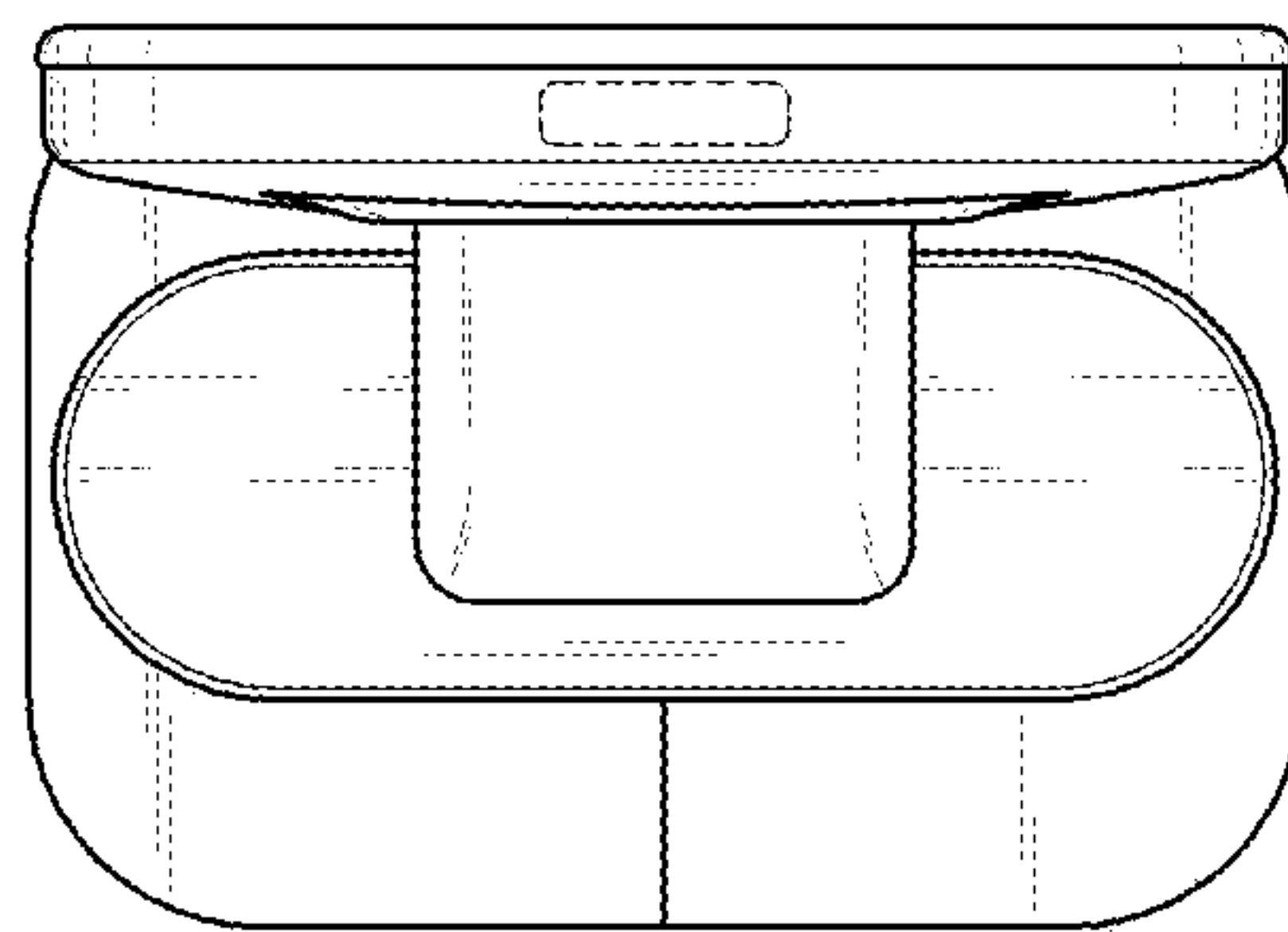


FIG. 7

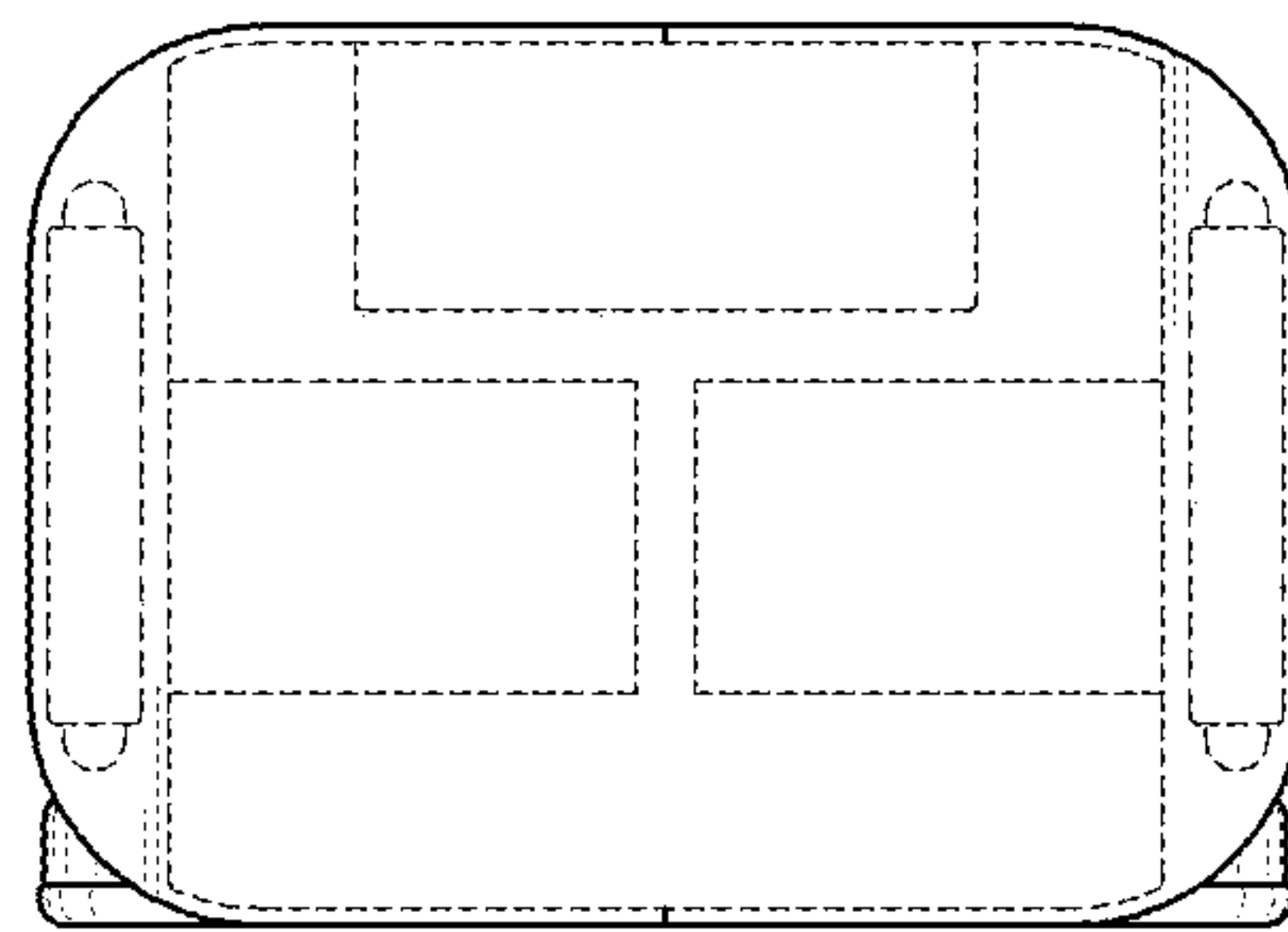


FIG. 8

