



US00D948825S

(12) **United States Design Patent** (10) **Patent No.:** **US D948,825 S**  
**Tsui** (45) **Date of Patent:** **\*\* Apr. 12, 2022**

(54) **COLLAPSIBLE LAUNDRY BASKET**  
(71) Applicant: **Sam Tung Tsui**, Kowloon (HK)  
(72) Inventor: **Sam Tung Tsui**, Kowloon (HK)  
(\*\*) Term: **15 Years**  
(21) Appl. No.: **29/760,629**  
(22) Filed: **Dec. 2, 2020**

D794,960 S \* 8/2017 Takagaki ..... D3/307  
D795,583 S \* 8/2017 Diehl ..... D3/307  
D798,517 S \* 9/2017 Duvigneau ..... D32/37  
D831,920 S \* 10/2018 Duvigneau ..... D32/37  
D852,508 S \* 7/2019 Connors ..... D3/304  
D854,324 S \* 7/2019 Tsui ..... D3/304

(Continued)

FOREIGN PATENT DOCUMENTS

JP D1106938 \* 4/2001

OTHER PUBLICATIONS

Amazon website reviews 2020, Sammart Collapsible Laundry Basket, site visited Sep. 16, 2021, [https://www.amazon.com/dp/B08CMZVJ5Y/ref=sspa\\_dk\\_detail\\_0?pd\\_rd\\_i=B08CMZVJ5Y&pd\\_rd\\_w=qkWmX&pf\\_rd\\_p=887084a2 . . . \\*](https://www.amazon.com/dp/B08CMZVJ5Y/ref=sspa_dk_detail_0?pd_rd_i=B08CMZVJ5Y&pd_rd_w=qkWmX&pf_rd_p=887084a2...)

(Continued)

*Primary Examiner* — John R Yeh  
(74) *Attorney, Agent, or Firm* — Hinshaw & Culbertson LLP

(57) **CLAIM**

I claim the ornamental design for a collapsible laundry basket, as shown and described.

**DESCRIPTION**

FIG. 1 is a front, top perspective view of a collapsible laundry basket according to my new design; FIG. 2 is a front elevation view thereof; FIG. 3 is a back elevation view thereof; FIG. 4 is a right side elevation view thereof, the left side being a mirror image thereof; FIG. 5 is a top plan view thereof; and, FIG. 6 is a bottom plan view thereof. The broken lines in the drawings depict portions of the collapsible laundry basket that form no part of the claimed design.

**1 Claim, 4 Drawing Sheets**

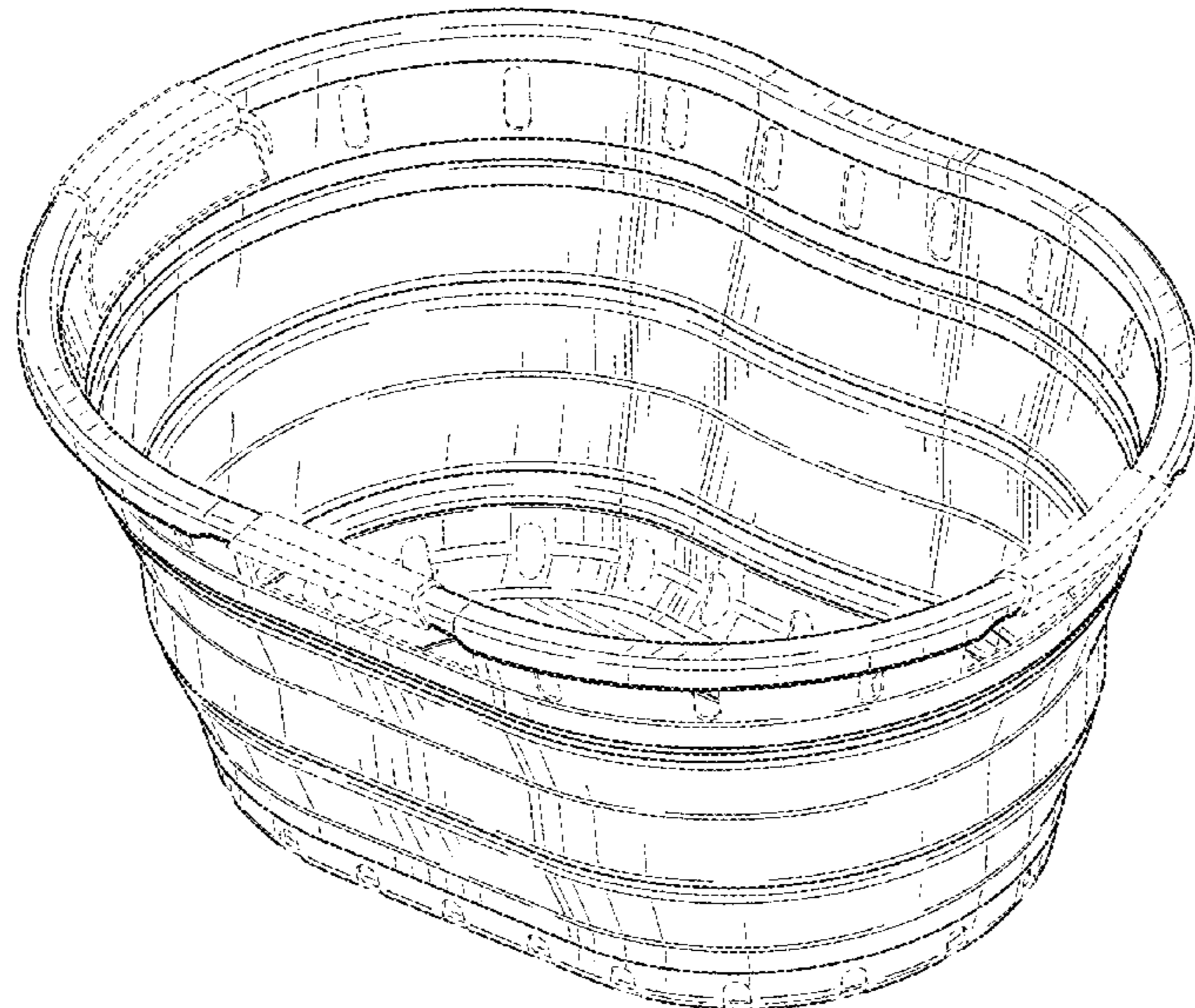
**Related U.S. Application Data**

(62) Division of application No. 29/657,368, filed on Jul. 20, 2018, now Pat. No. Des. 906,611.  
(51) **LOC (13) Cl.** ..... **09-04**  
(52) **U.S. Cl.**  
USPC ..... **D32/37**  
(58) **Field of Classification Search**  
USPC ..... D32/37; D9/501–504; D3/303–307  
CPC ..... B65D 6/16; D06F 95/00; B62B 1/14  
See application file for complete search history.

(56) **References Cited**

U.S. PATENT DOCUMENTS

D466,301 S \* 12/2002 Sofy ..... D3/307  
D477,145 S \* 7/2003 Sofy ..... D3/307  
D546,511 S \* 7/2007 Luster ..... D32/37  
D550,912 S \* 9/2007 Kempcke ..... D32/37  
D564,229 S \* 3/2008 Splain ..... D3/304  
D564,758 S \* 3/2008 Drury ..... D3/304  
D584,020 S \* 12/2008 McNamara ..... D32/37  
D643,584 S \* 8/2011 Duvigneau ..... D32/37  
D643,585 S \* 8/2011 Duvigneau ..... D32/37  
D677,056 S \* 3/2013 Hu ..... D3/306  
D690,891 S \* 10/2013 Barre ..... D32/37  
8,727,172 B2 \* 5/2014 Burgess ..... B65D 25/06  
220/533  
D775,830 S \* 1/2017 Duvigneau ..... D3/304  
D788,466 S \* 6/2017 Duvigneau ..... D3/306  
D789,089 S \* 6/2017 Duvigneau ..... D3/306  
D794,959 S \* 8/2017 Takagaki ..... D3/307



(56)

**References Cited**

U.S. PATENT DOCUMENTS

D874,768 S \* 2/2020 Rodgers, Jr. .... D32/37  
D874,769 S \* 2/2020 Sanchez-Vizcaino ..... D32/37  
D904,706 S \* 12/2020 Simonetti ..... D32/37  
D906,611 S \* 12/2020 Tsui ..... D32/37  
2016/0376053 A1\* 12/2016 Alves ..... A45C 3/04  
206/459.5

OTHER PUBLICATIONS

Amazon website reviews 2016, Pop n Load Collapsible Laundry Basket, site visited Sep. 16, 2021, <https://www.amazon.com/Pop-Load-Collapse-Store-laundry-baskets/dp/B01BhL4RWW>.\*

\* cited by examiner

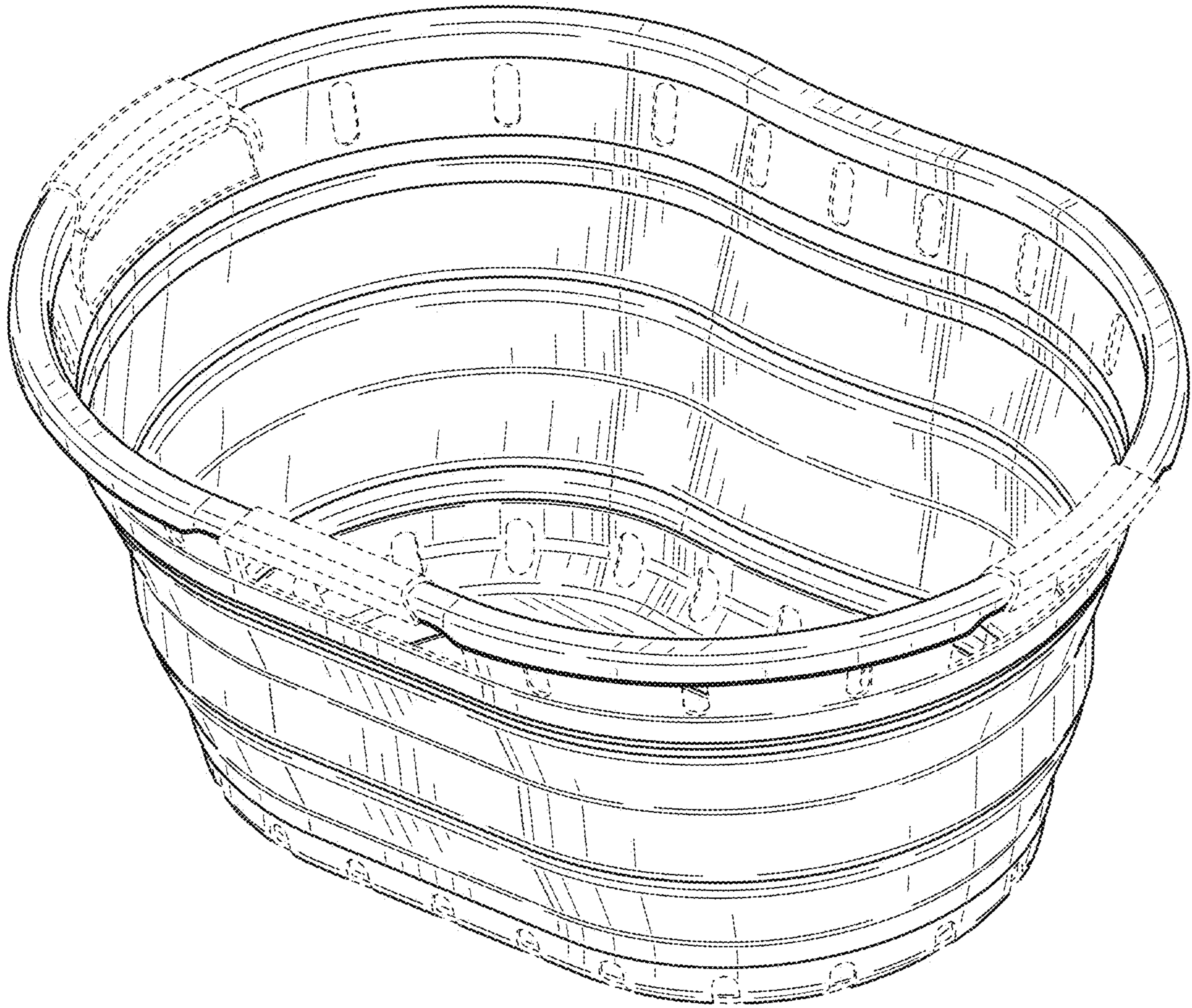


FIG. 1

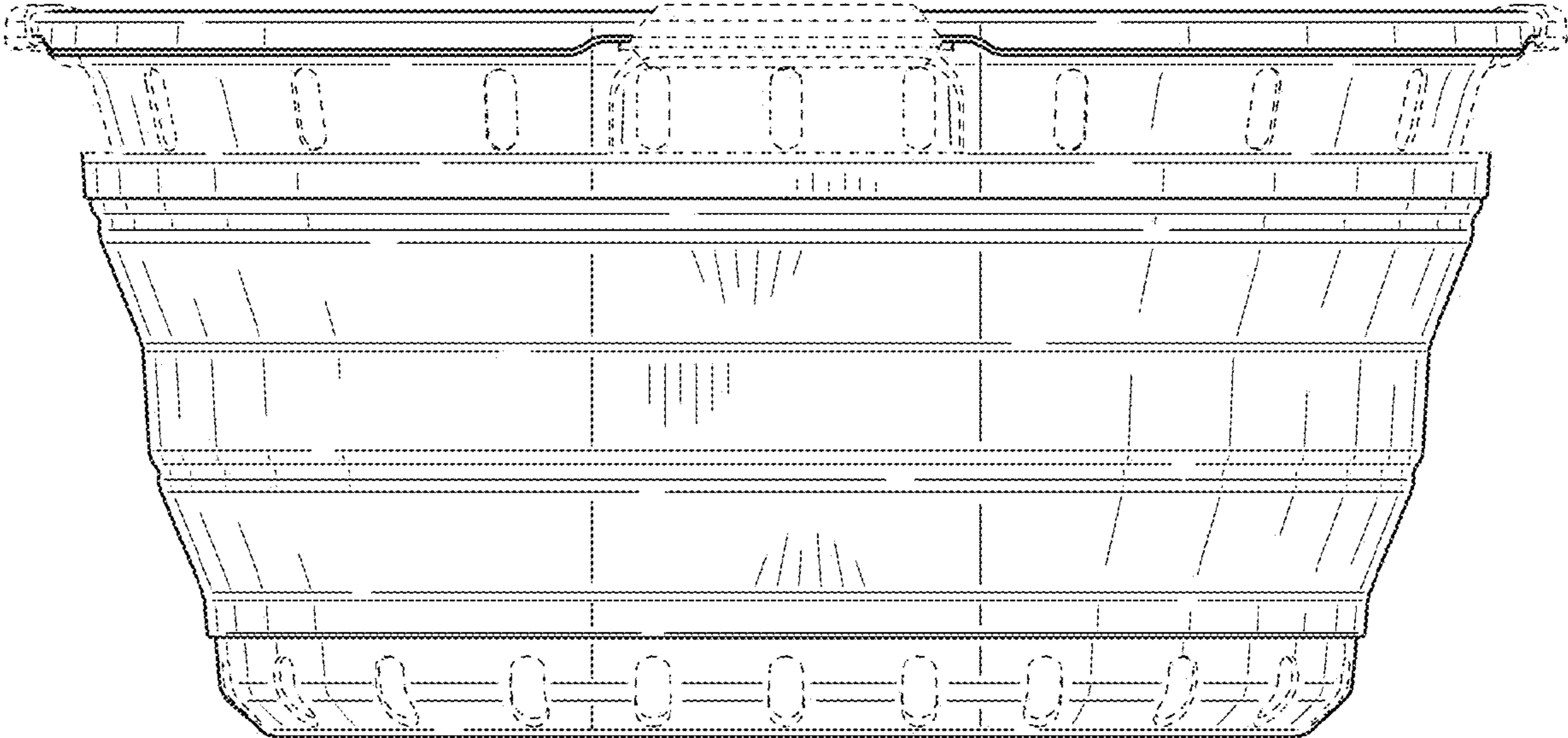


FIG. 2

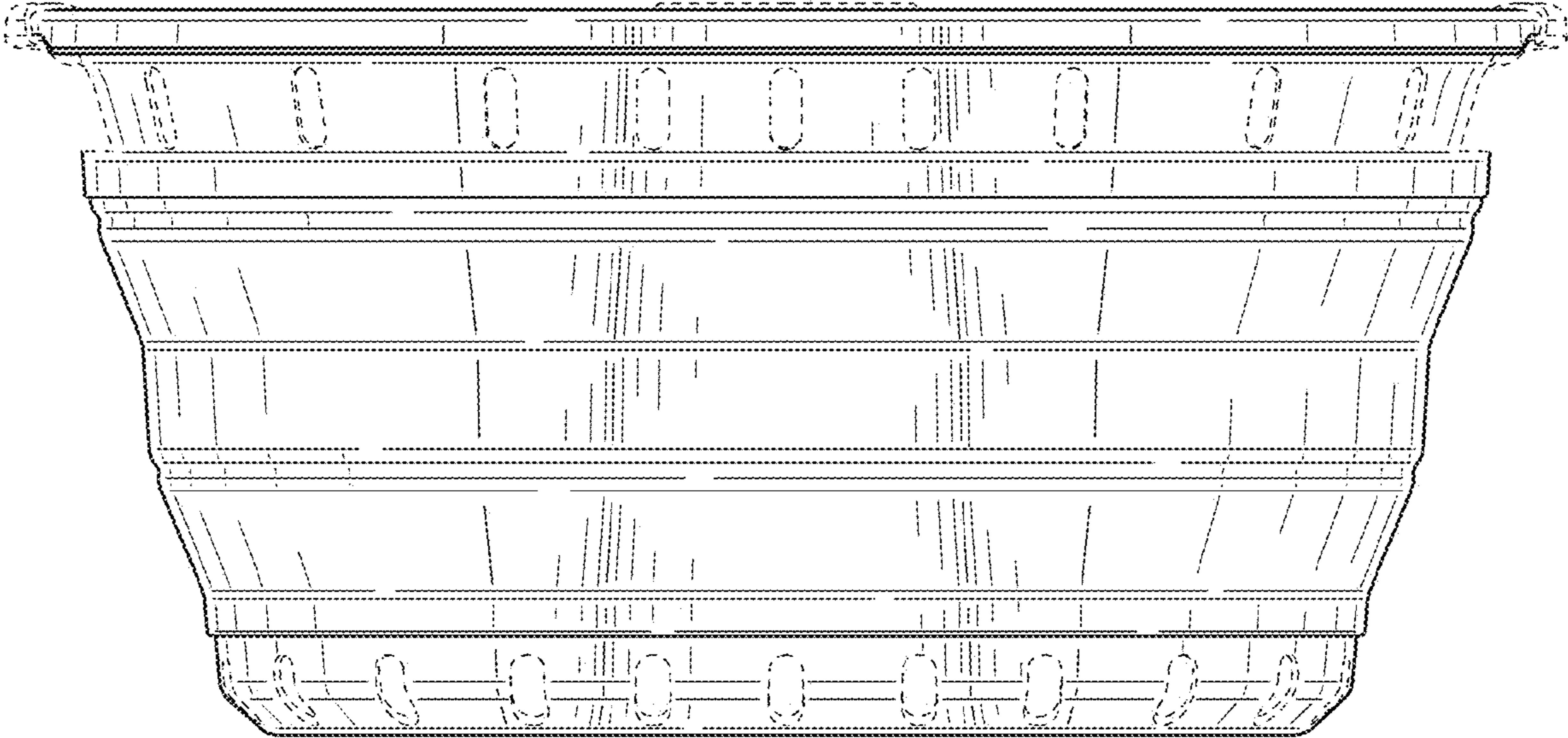


FIG. 3

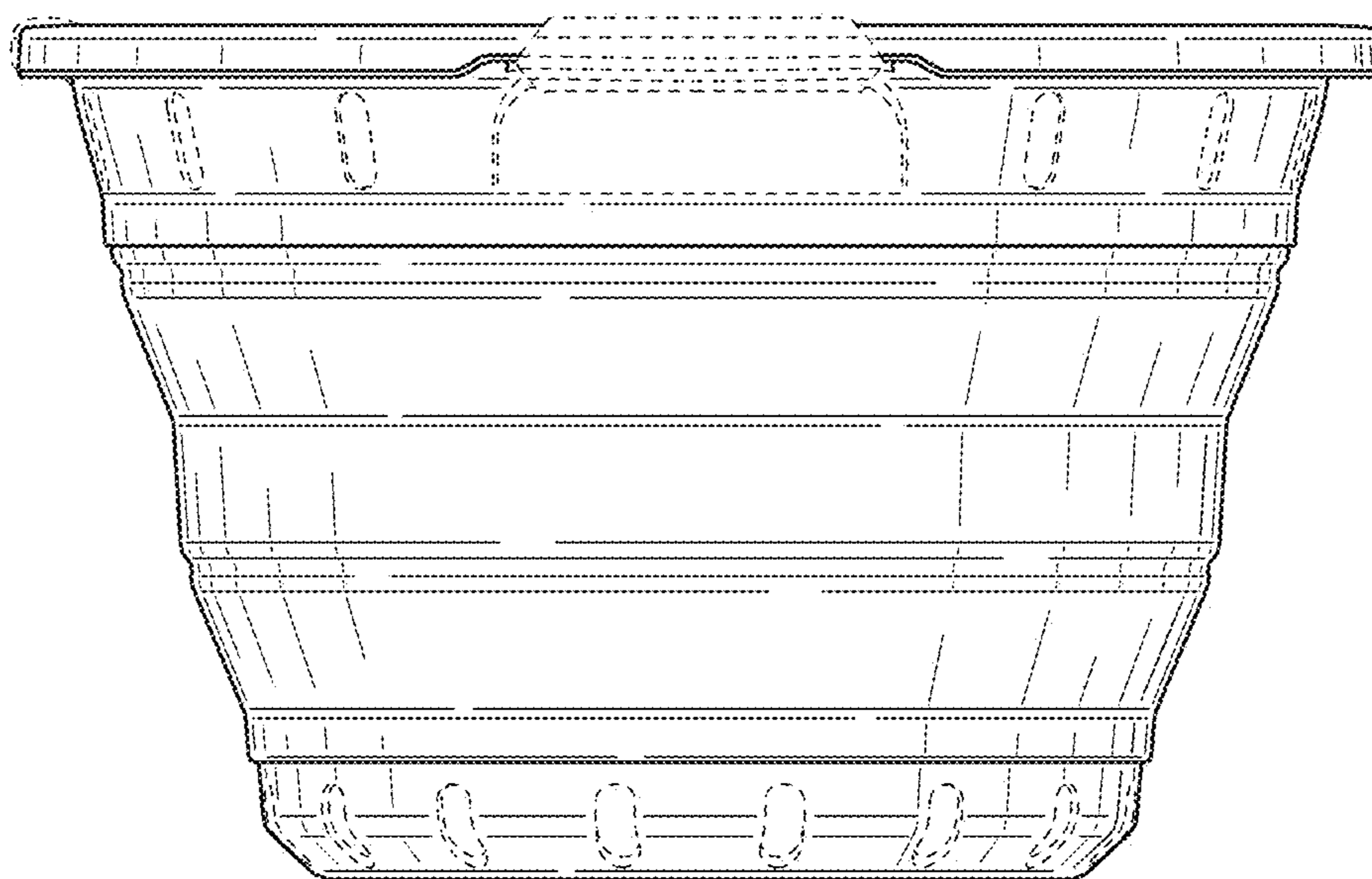


FIG. 4

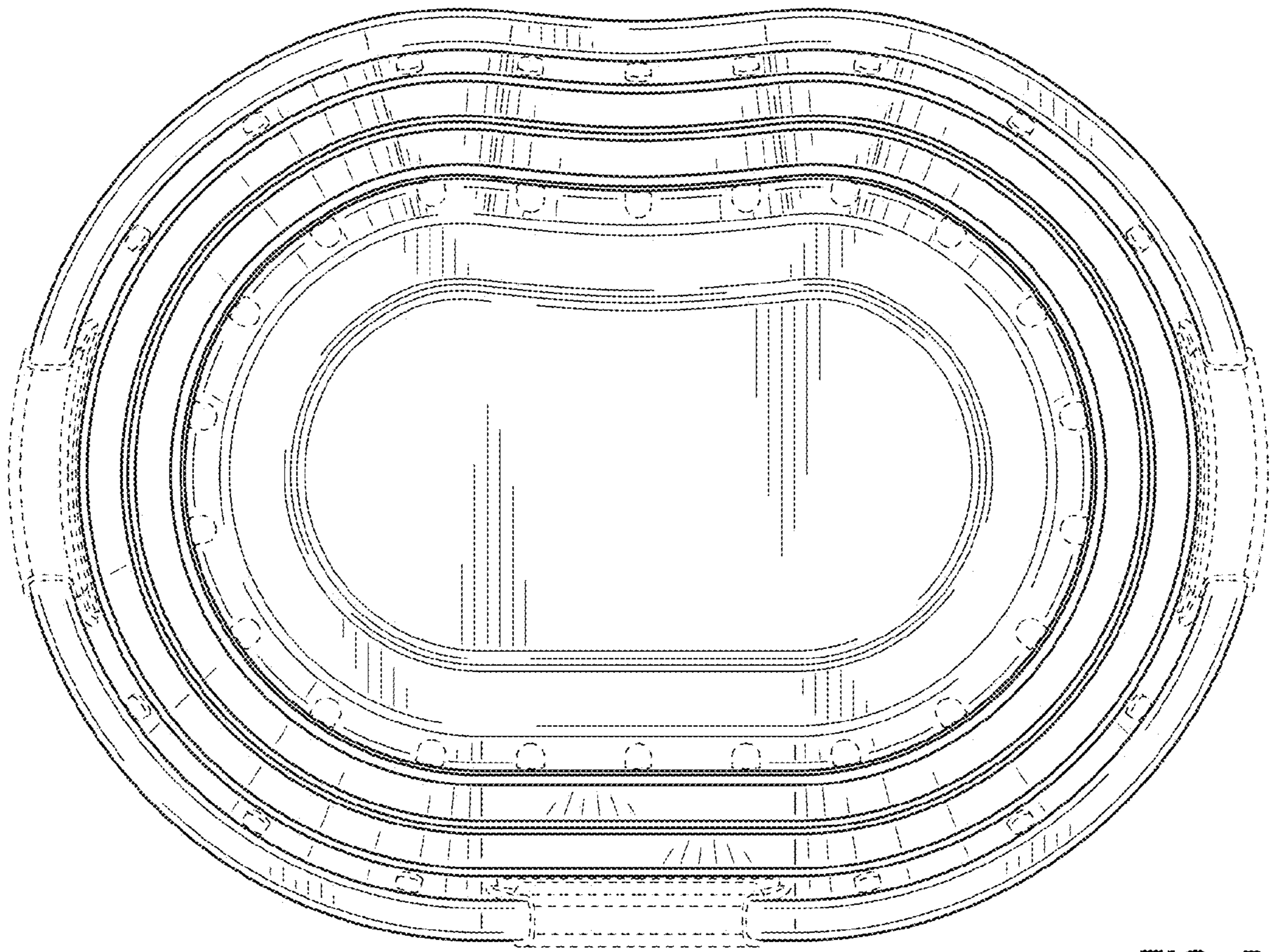


FIG. 5

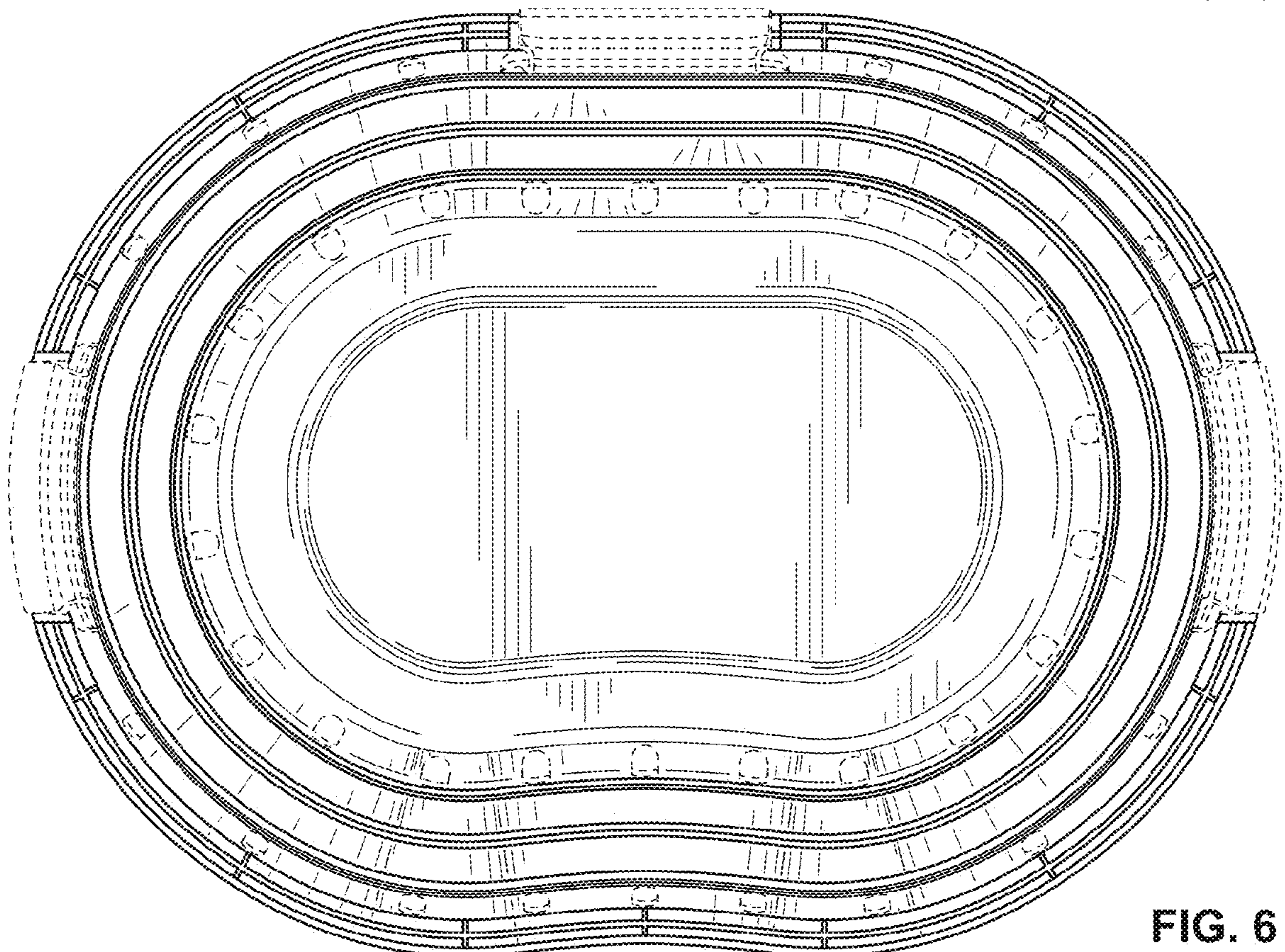


FIG. 6