



US00D948824S

(12) **United States Design Patent**
Wu

(10) **Patent No.:** **US D948,824 S**
(45) **Date of Patent:** **** Apr. 12, 2022**

(54) **VACUUM CLEANER HOSE**

(71) Applicant: **Feng Wu**, Wenchang (CN)
(72) Inventor: **Feng Wu**, Wenchang (CN)
(**) Term: **15 Years**

(21) Appl. No.: **29/770,181**

(22) Filed: **Feb. 10, 2021**

(51) **LOC (13) Cl.** **15-05**

(52) **U.S. Cl.**
USPC **D32/33**

(58) **Field of Classification Search**

USPC D32/23, 31, 32, 33, 34
CPC . A47L 9/248; A47L 5/36; A47L 9/244; A47L
5/362; A47L 9/30; A47L 9/066; B01D
45/16; A63B 21/0603; F21V 33/0044
See application file for complete search history.

(56) **References Cited**

U.S. PATENT DOCUMENTS

D333,023 S	2/1993	Herron, Jr.	
5,405,139 A *	4/1995	Gagarin	A63B 21/0603 473/232
5,983,443 A *	11/1999	Redding	A47L 9/30 15/324
6,027,541 A *	2/2000	Siemers	B01D 45/16 55/429
D477,445 S	7/2003	Schroter	
7,331,083 B2 *	2/2008	Overvaag	A47L 9/248 15/324
D659,923 S *	5/2012	Dyson	D32/33
D681,894 S *	5/2013	Wu	D32/31
D796,135 S *	8/2017	Yoon	D32/32
D805,267 S *	12/2017	Maune	D32/31
9,848,749 B1 *	12/2017	Adams	F21V 33/0044
D806,963 S *	1/2018	Nam	D32/23
D811,673 S *	2/2018	Nam	D32/23
D888,357 S *	6/2020	Bond	D32/31

(Continued)

OTHER PUBLICATIONS

Walmart <https://www.walmart.com/ip/Fit-All-1-25-Vacuum-Cleaner-Extra-Long-Crevice-Tool-36-Flexible-Under-Frig/935369904> (Year: 2018).*

Primary Examiner — Michelle E. Wilson
Assistant Examiner — Richard E Yenchesky
(74) *Attorney, Agent, or Firm* — ScienBiziP, P.C.

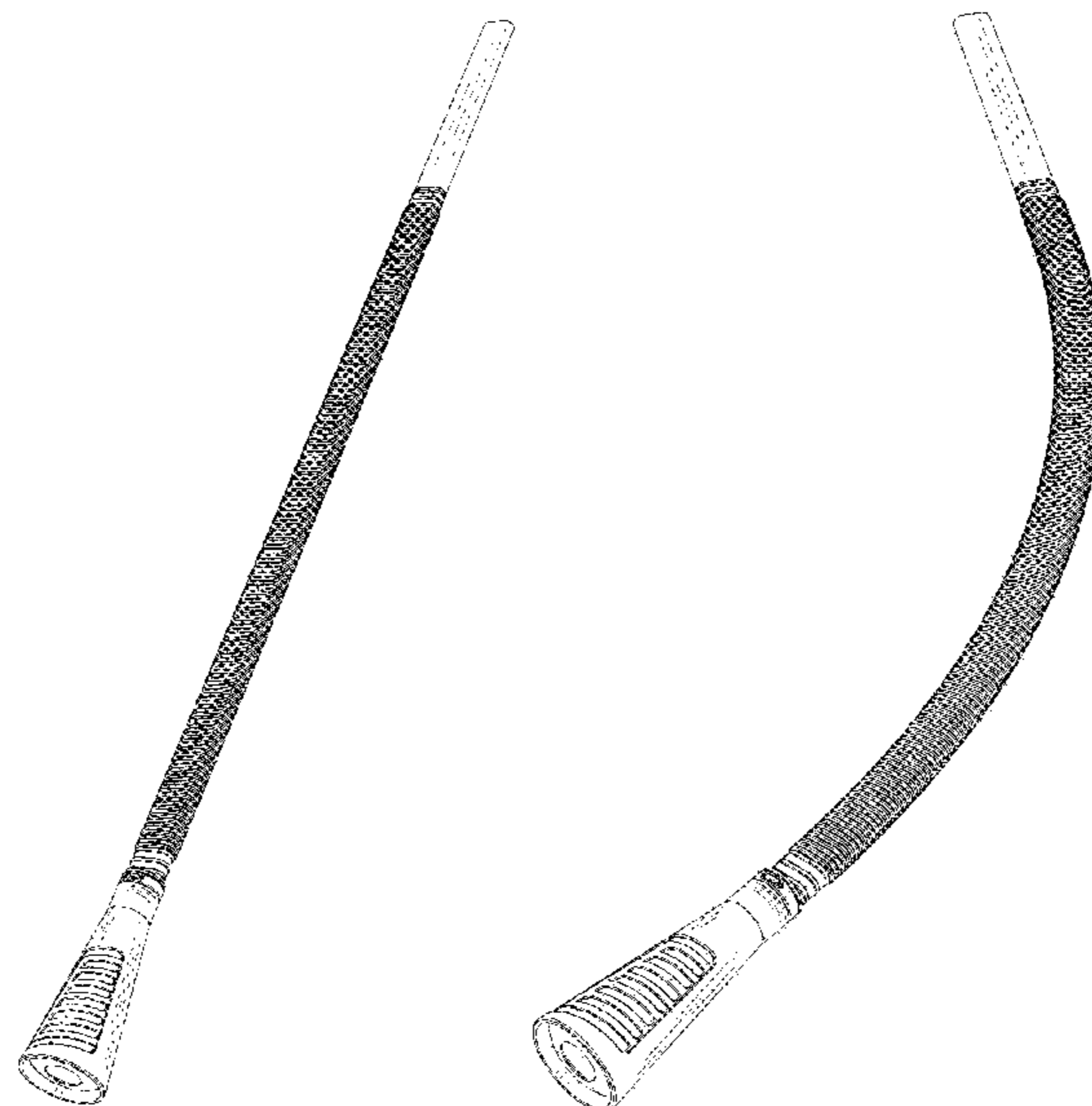
(57) **CLAIM**

The ornamental design for a vacuum cleaner hose, as shown and described.

DESCRIPTION

FIG. 1 is a front, right, and top perspective view of a vacuum cleaner hose, showing my design.
FIG. 2 is a front elevation view thereof.
FIG. 3 is a rear elevation view thereof.
FIG. 4 is a left side elevation view thereof.
FIG. 5 is a right side elevation view thereof.
FIG. 6 is a top plan view thereof.
FIG. 7 is a bottom plan view thereof.
FIG. 8 is a partial enlarged view of an area labeled 8 in FIG. 3 comprising a hose.
FIG. 9 is perspective view of the vacuum cleaner hose showing a status when the hose is curved.
FIG. 10 is a perspective view of the vacuum cleaner hose of FIG. 2 where in a vacuum cleaner suction head, a hose connection part, and the hose are disassembled.
FIG. 11 is a front elevation view of FIG. 10.
FIG. 12 is a rear elevation view of FIG. 10.
FIG. 13 is a left side elevation view of FIG. 10.
FIG. 14 is a right side elevation view of FIG. 10.
FIG. 15 is a top plan view of FIG. 10; and,
FIG. 16 is a bottom plan view of FIG. 10.
The broken lines shown in the drawings are included for the purpose of illustrating portions of the vacuum cleaner hose that form no part of the claimed design.

1 Claim, 16 Drawing Sheets



(56)

References Cited

U.S. PATENT DOCUMENTS

D895,916 S * 9/2020 Exley D32/33
10,849,475 B1 * 12/2020 Williamson A47L 9/066
D915,016 S * 3/2021 Zhou D32/32
2002/0178696 A1 * 12/2002 Korff A47L 9/248
55/337
2004/0231096 A1 * 11/2004 Battle A47L 5/362
15/414
2007/0157425 A1 * 7/2007 Battle A47L 9/244
15/414
2010/0170060 A1 * 7/2010 Eccardt A47L 5/36
15/415.1
2017/0251895 A1 * 9/2017 Lutz A47L 5/36
2020/0022545 A1 * 1/2020 Downing A47L 9/248

* cited by examiner

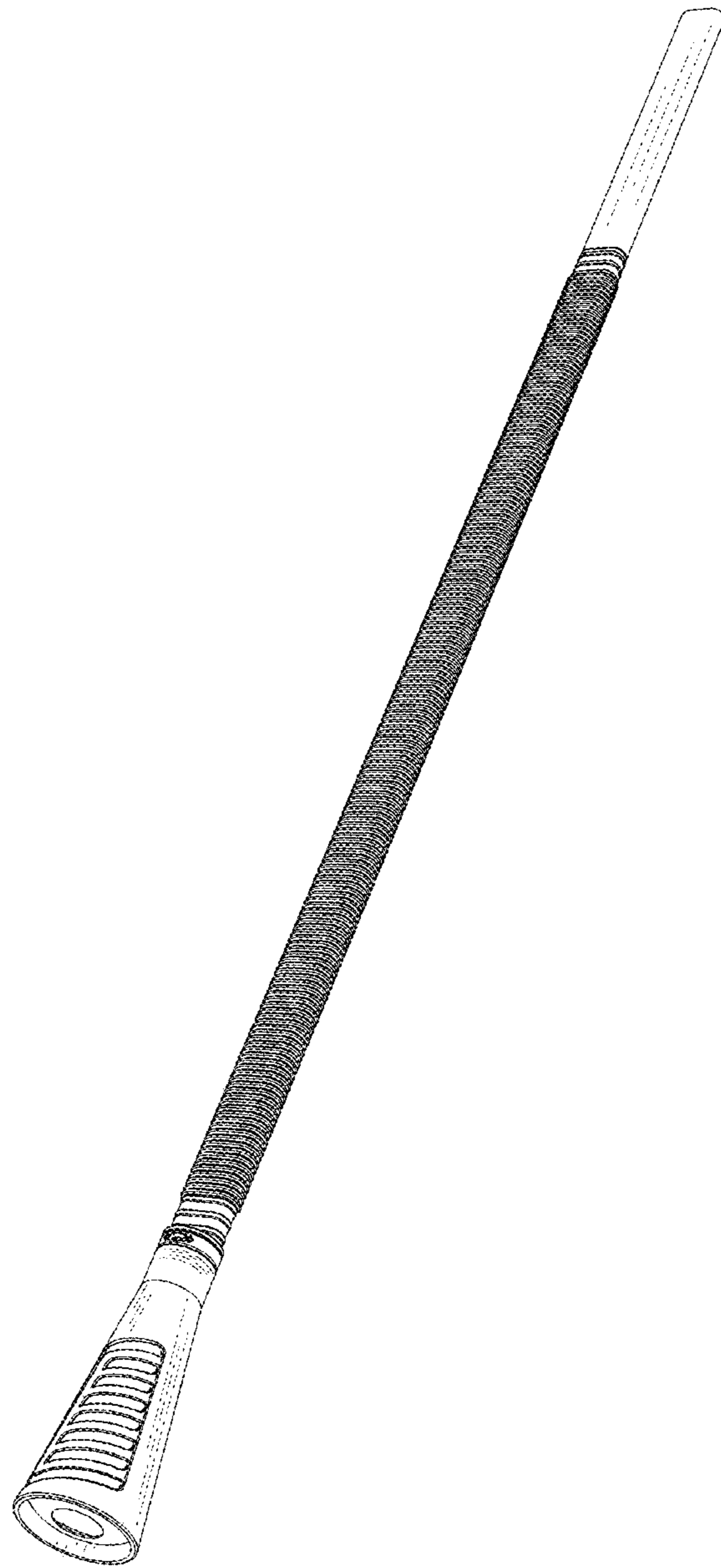


FIG. 1

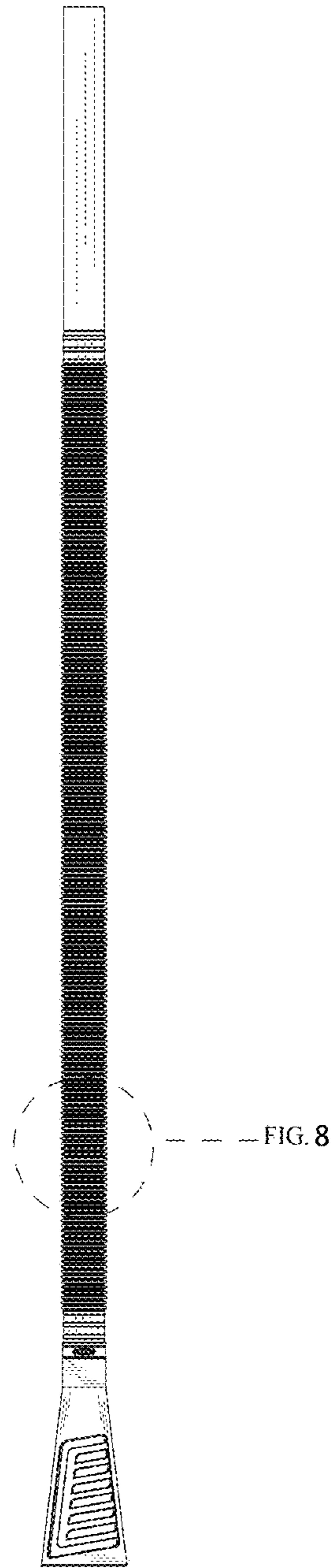


FIG. 2

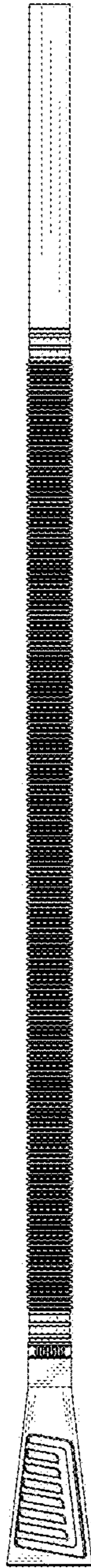


FIG. 3



FIG. 4



FIG. 5

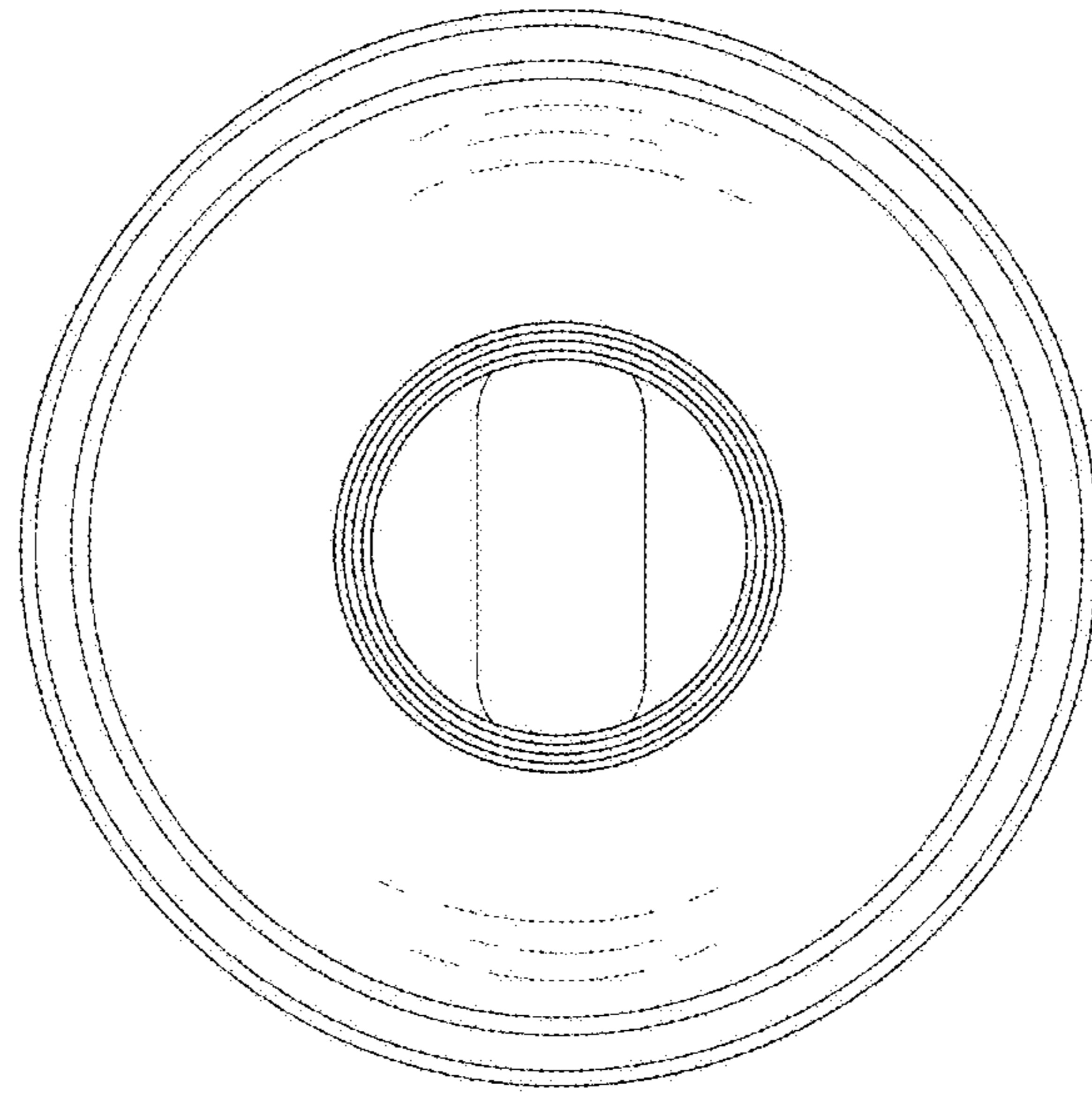


FIG. 6

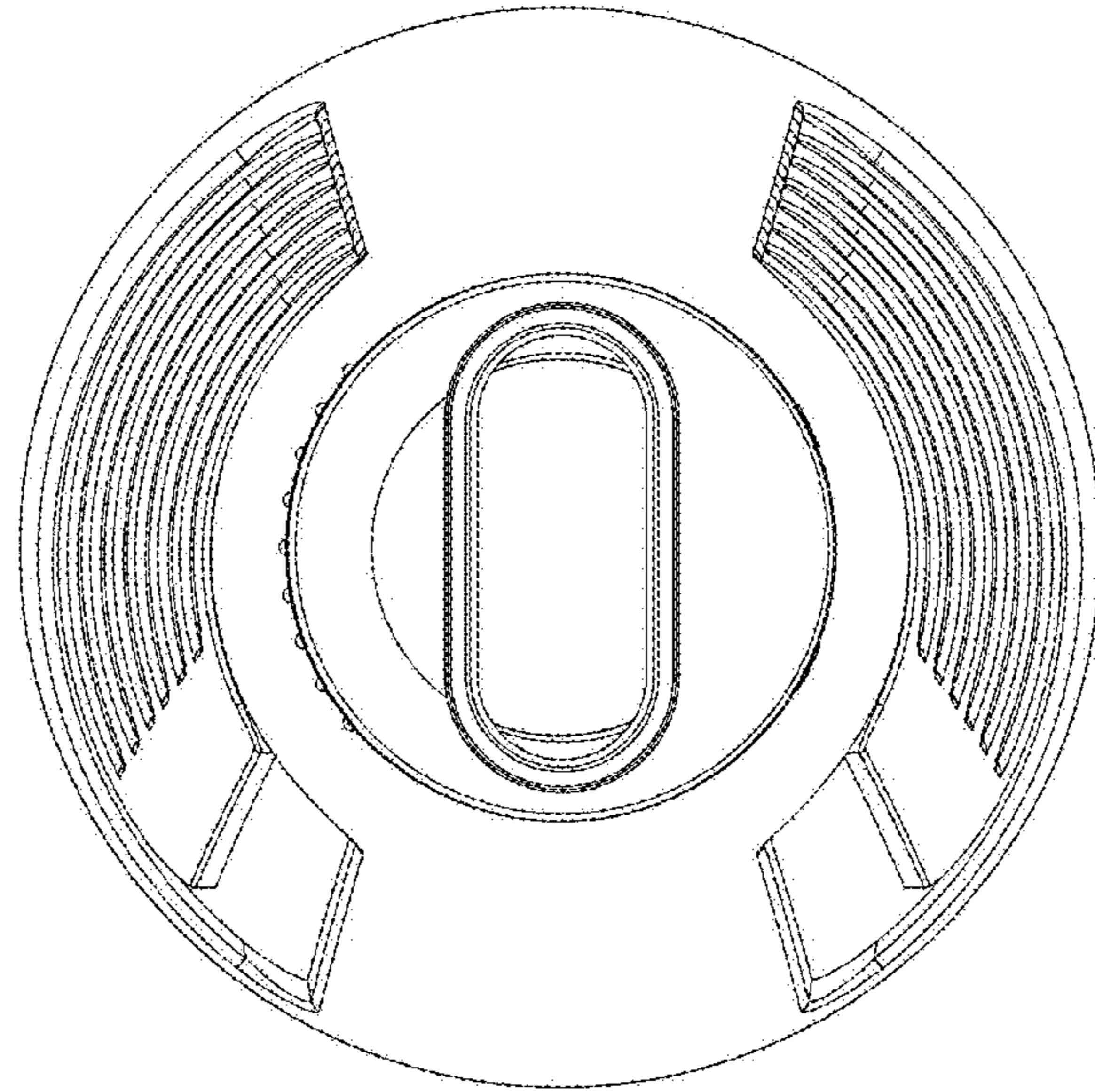


FIG. 7

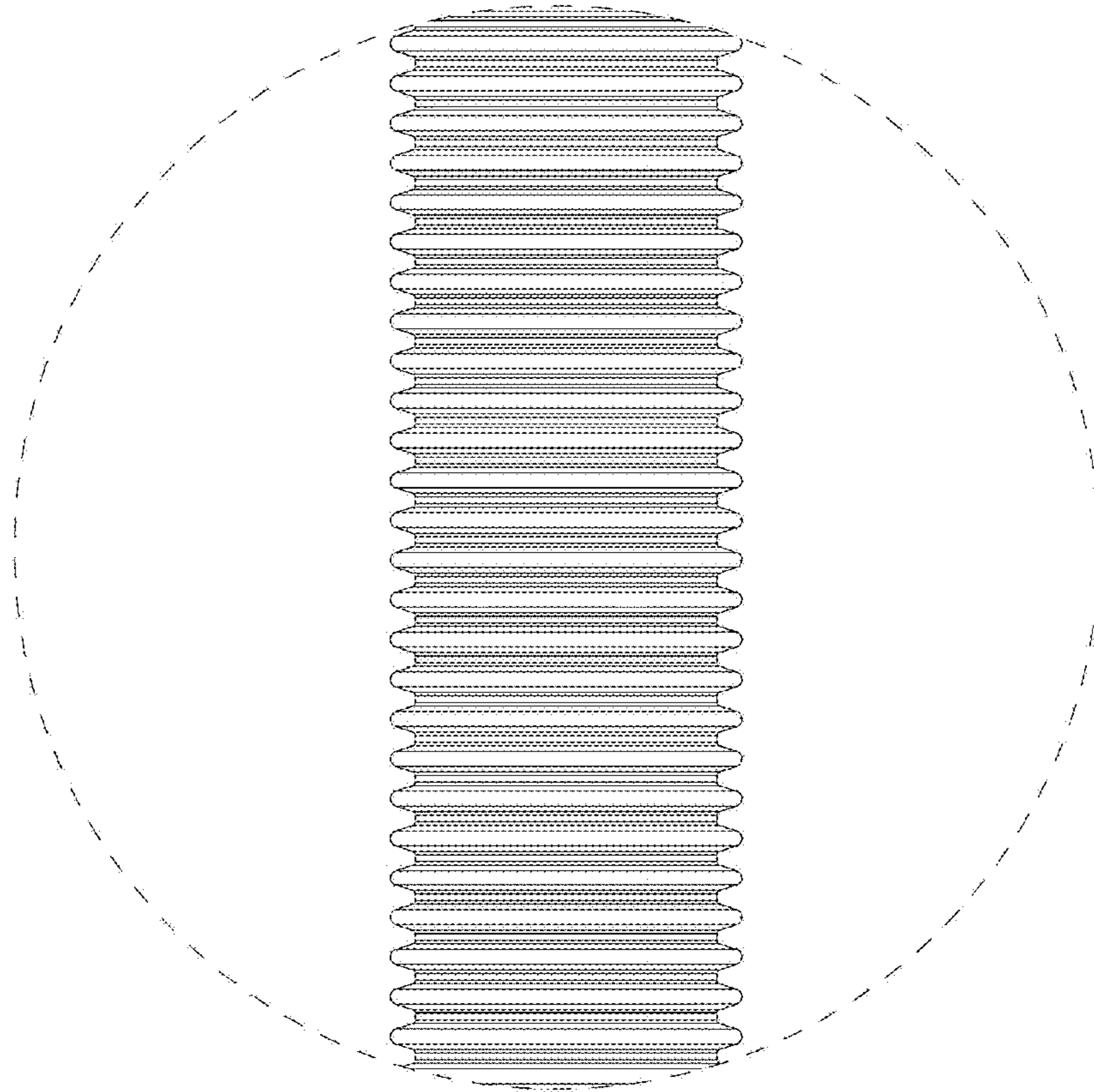


FIG. 8

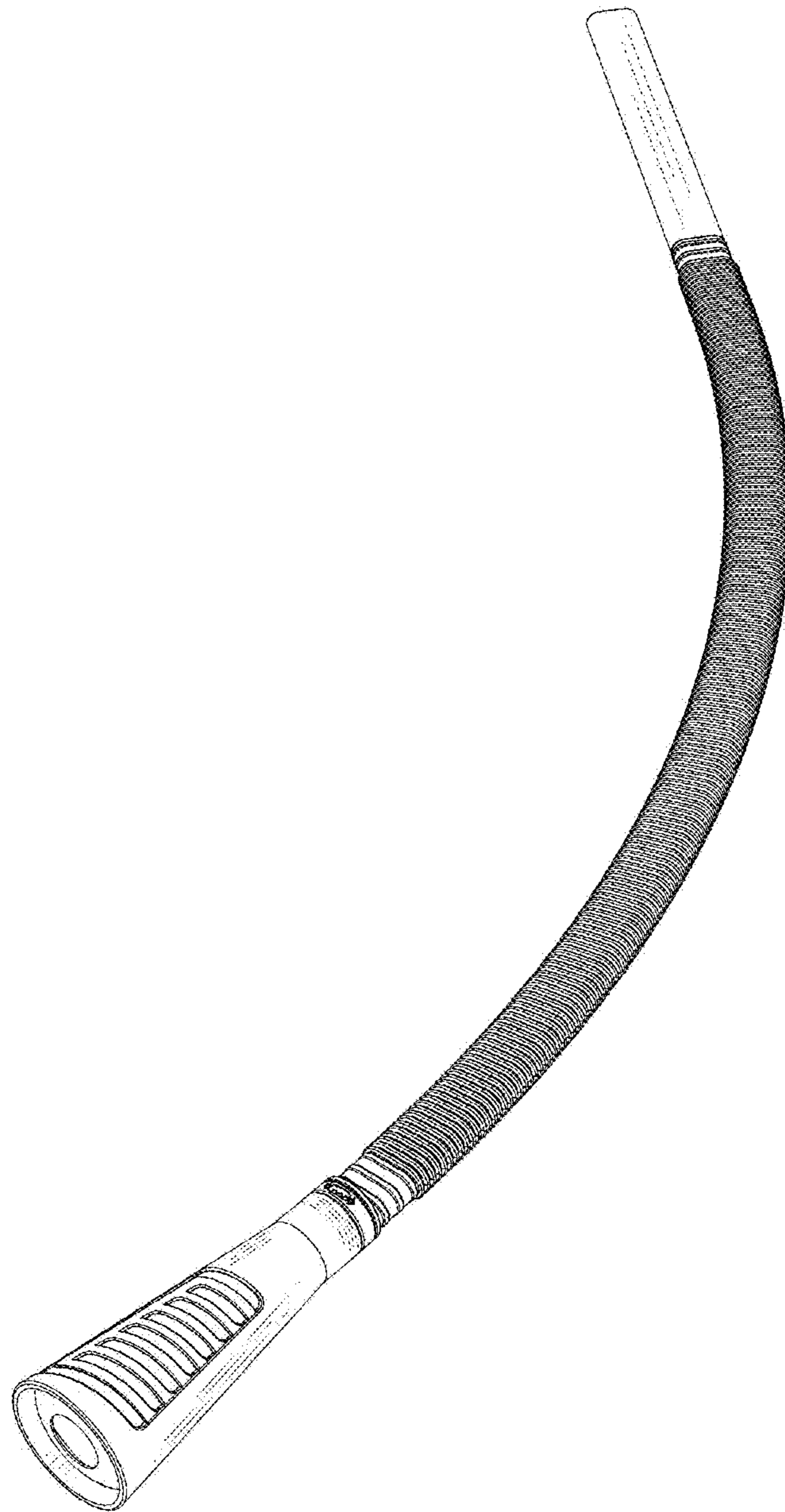


FIG. 9

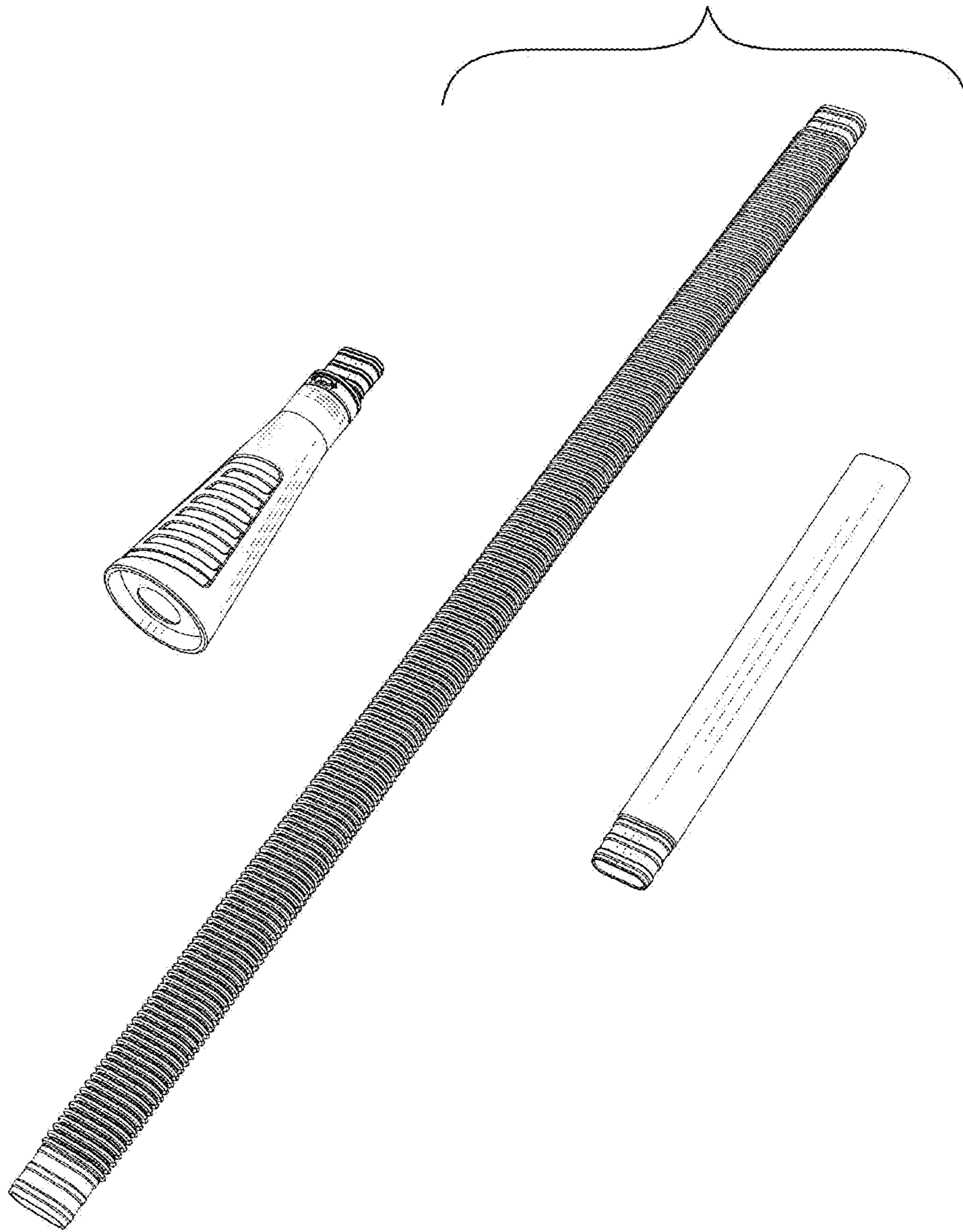


FIG. 10

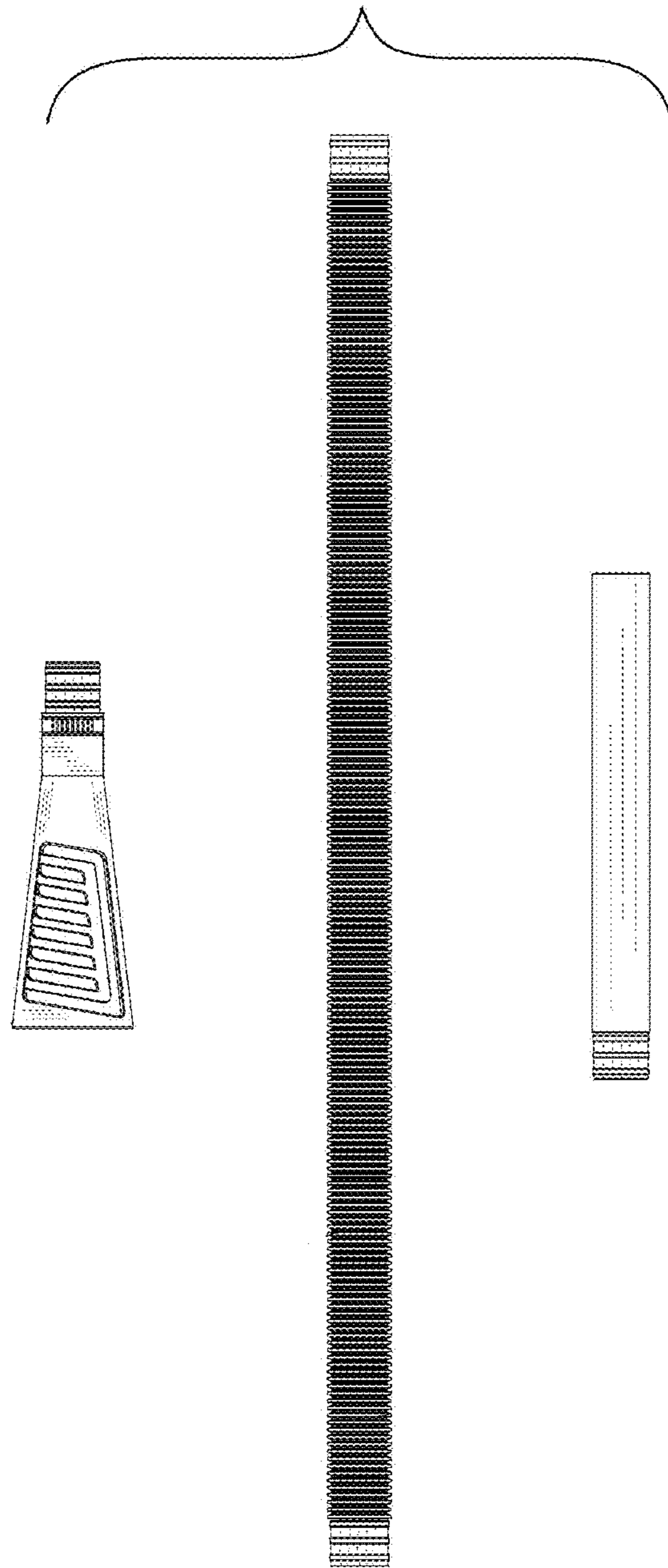


FIG. 11

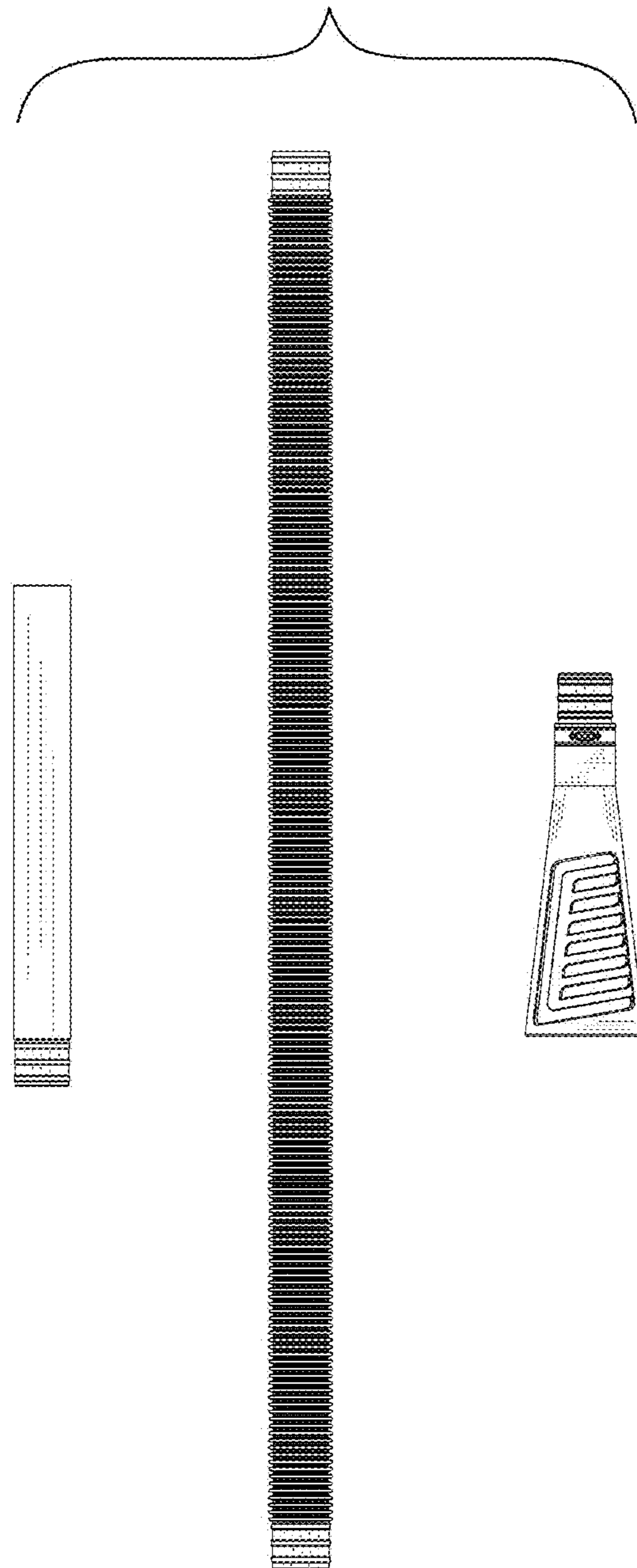


FIG. 12

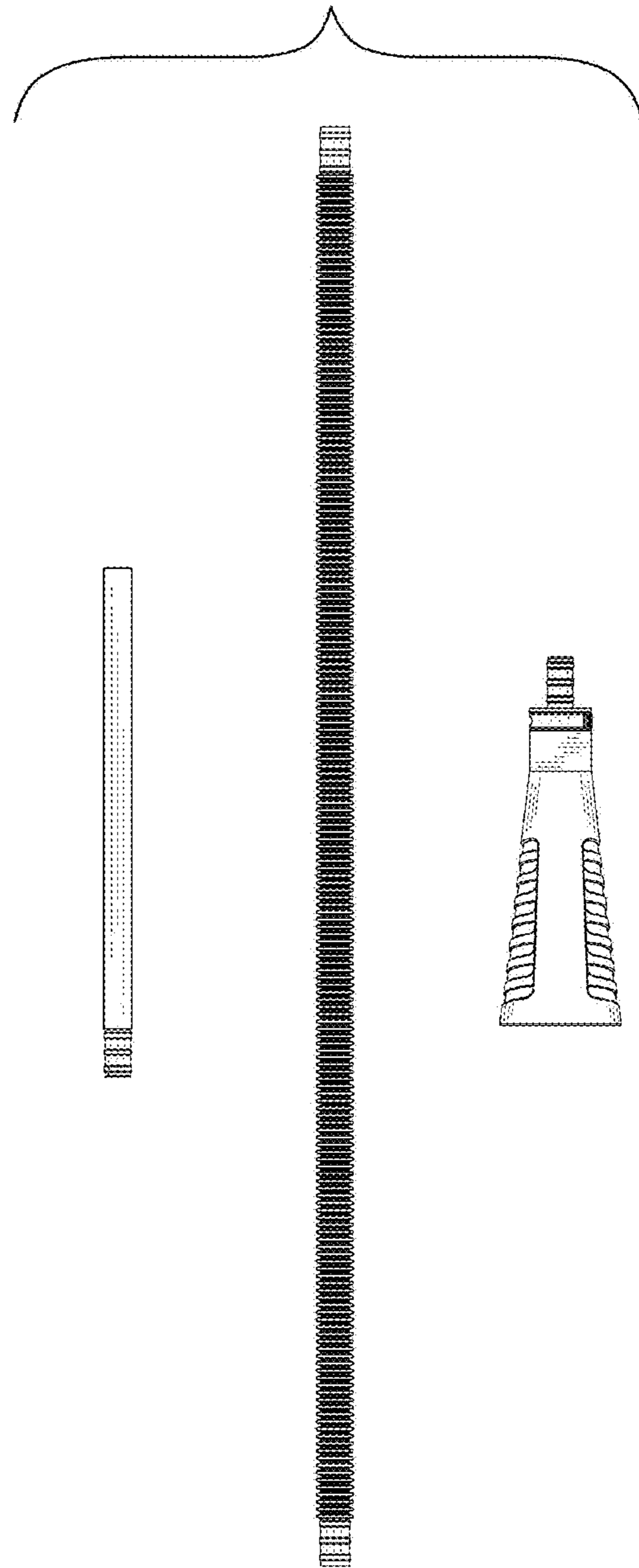


FIG. 13

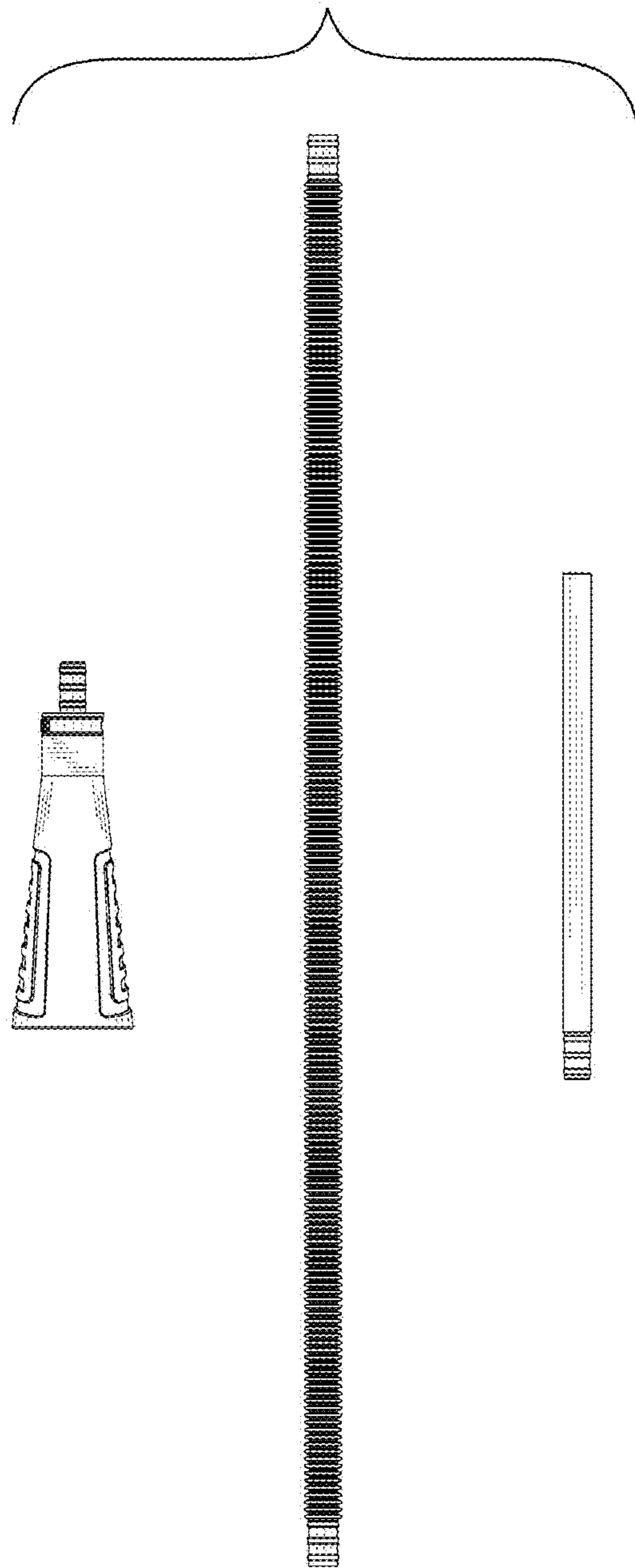


FIG. 14

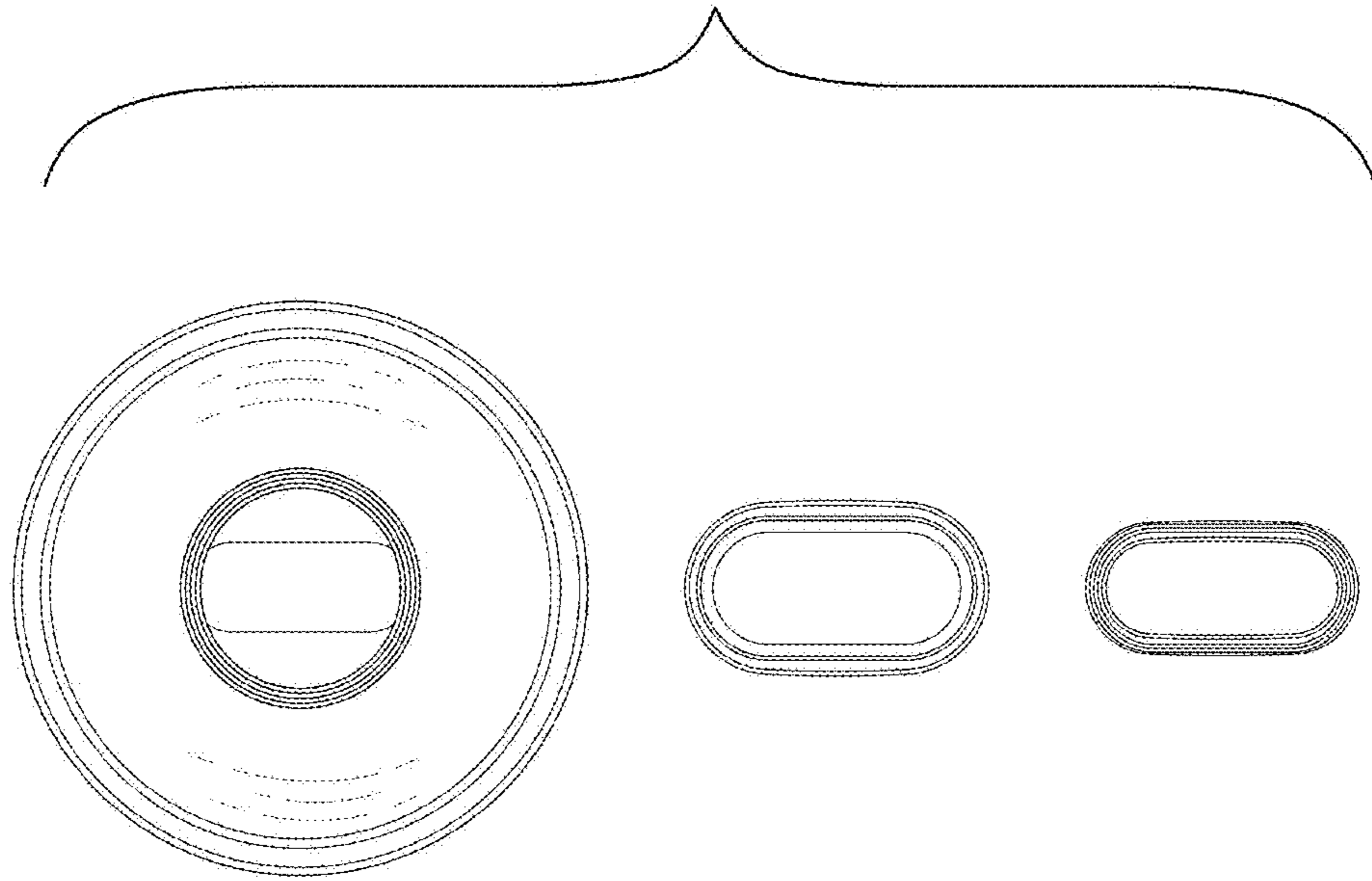


FIG. 15

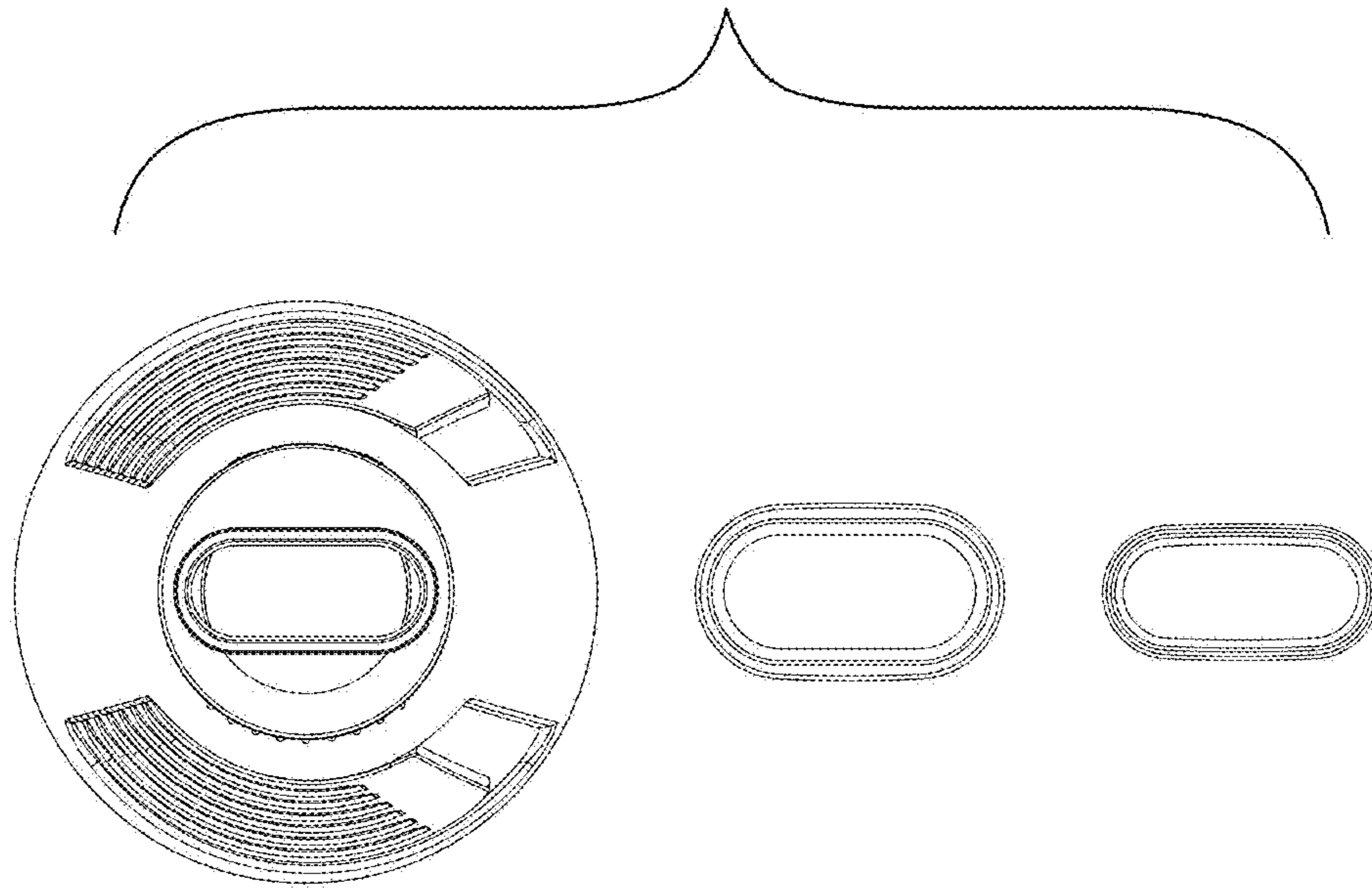


FIG. 16