



US00D948823S

(12) **United States Design Patent**
Dodgson

(10) **Patent No.:** **US D948,823 S**

(45) **Date of Patent:** **** Apr. 12, 2022**

(54) **VACUUM CLEANER HEAD**

(71) Applicant: **Dyson Technology Limited**, Wiltshire (GB)

(72) Inventor: **Oliver Dodgson**, Swindon (GB)

(73) Assignee: **Dyson Technology Limited**, Wiltshire (GB)

(**) Term: **15 Years**

(21) Appl. No.: **29/739,780**

(22) Filed: **Jun. 29, 2020**

(30) **Foreign Application Priority Data**

Jan. 3, 2020 (EM) 007471479-0002

(51) **LOC (13) Cl.** **15-05**

(52) **U.S. Cl.**
USPC **D32/32**

(58) **Field of Classification Search**

USPC D32/17-25, 31-34
CPC A47L 7/00; A47L 9/02; A47L 5/28; A47L 9/102; A47L 9/1608; A47L 9/1683; A47L 5/30; A47L 9/00; A47L 9/04; A47L 9/0422; A47L 9/0461; A47L 9/06; A47L 9/0488; A47L 11/00; A47L 11/20; A47L 11/22; A47L 11/24; A47L 11/32; A47L 11/302; A47L 11/40

See application file for complete search history.

(56) **References Cited**

U.S. PATENT DOCUMENTS

D622,465 S * 8/2010 Crawley D32/33
D709,258 S * 7/2014 Guder D32/32
D719,309 S * 12/2014 Ashbee D32/33
D725,854 S * 3/2015 Yoshitomi D32/22
D776,889 S * 1/2017 Yoneda D32/32
9,554,680 B2 * 1/2017 Elsdon A47L 9/0405

9,801,516 B2 * 10/2017 Zheng A47L 11/4008
9,907,446 B2 * 3/2018 Toole A47L 9/02
9,949,605 B2 * 4/2018 Isley A47L 9/0477
10,092,150 B2 * 10/2018 Isley A47L 11/19
D839,517 S * 1/2019 Nam D32/32
D870,406 S * 12/2019 Niedzwecki D32/33
D879,397 S * 3/2020 Kim D32/32
D882,196 S * 4/2020 Lee D32/33
D905,360 S * 12/2020 Ma D32/22
D905,918 S * 12/2020 Pearce D32/32
D912,344 S * 3/2021 Choi D32/22
D912,348 S * 3/2021 Choi D32/32

(Continued)

OTHER PUBLICATIONS

Dyson brings affordable vacuum cleaners first to Korea (on-line), published Jul. 23, 2020. Retrieved from Internet Aug. 30, 2021, URL: <http://www.koreaherald.com/view.php?ud=20200723000970> (3 pages) (Year: 2020).*

Primary Examiner — Kimberly Barnes

(74) *Attorney, Agent, or Firm* — Faegre Drinker Biddle & Reath LLP

(57) **CLAIM**

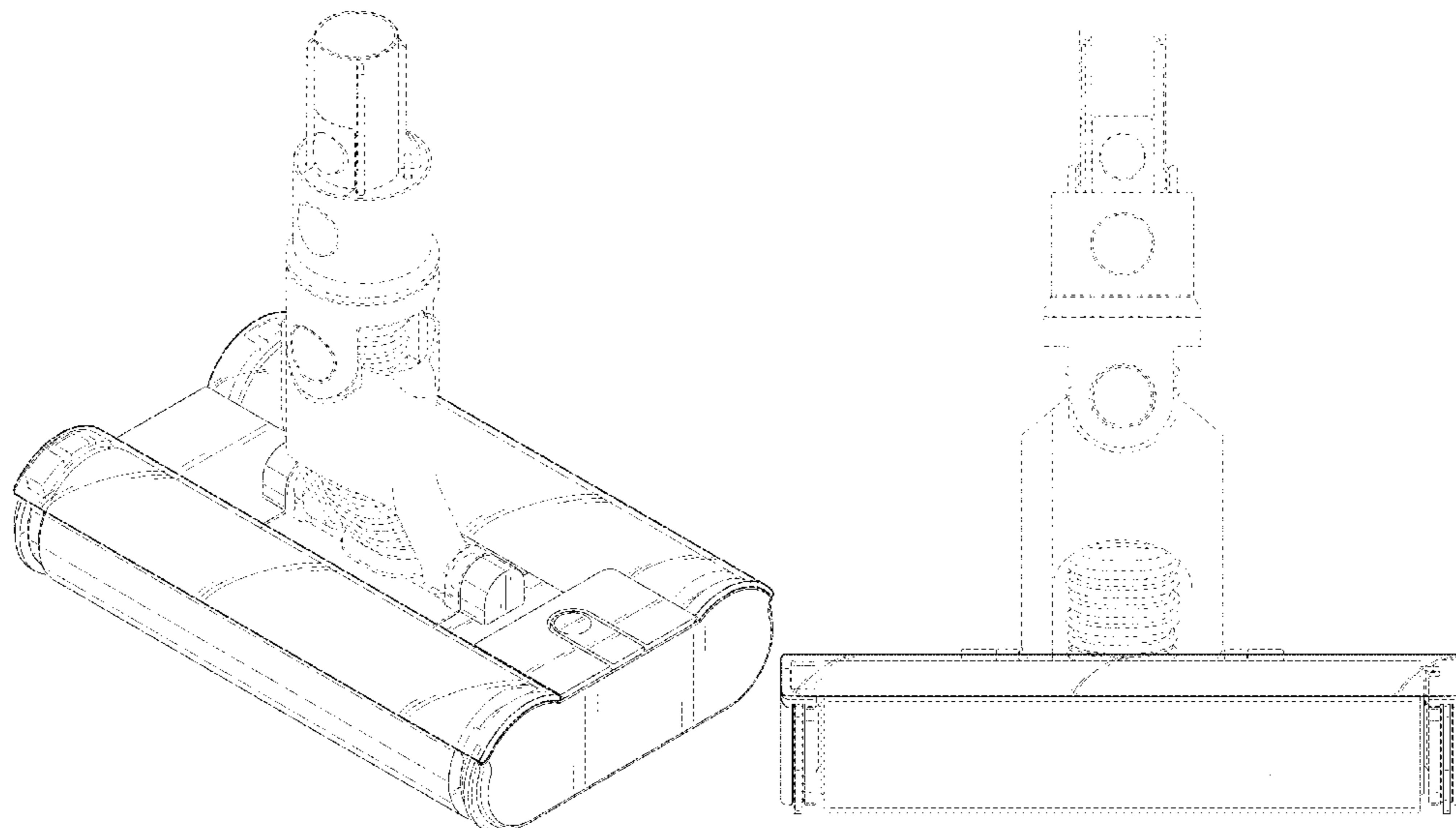
I claim the ornamental design for a vacuum cleaner head, as shown and described.

DESCRIPTION

FIG. 1 is a front perspective view of a vacuum cleaner head showing our new design;
FIG. 2 is a front view thereof;
FIG. 3 is a rear view thereof;
FIG. 4 is a side view thereof;
FIG. 5 is a side view of the opposite side of FIG. 4;
FIG. 6 is a top view thereof; and,
FIG. 7 is a bottom view thereof.

The broken lines shown in the drawings illustrate portions of a vacuum cleaner head that form no part of the claimed design.

1 Claim, 7 Drawing Sheets



(56)

References Cited

U.S. PATENT DOCUMENTS

D914,306 S * 3/2021 Knapp D32/31
D920,609 S * 5/2021 Ma D32/21
D922,015 S * 6/2021 Polden D32/32
D927,809 S * 8/2021 Kim D32/32
D935,121 S * 11/2021 Luo D32/32
2018/0192836 A1* 7/2018 Dodgson A47L 9/0494
2020/0315416 A1* 10/2020 Hong A47L 9/0633

* cited by examiner

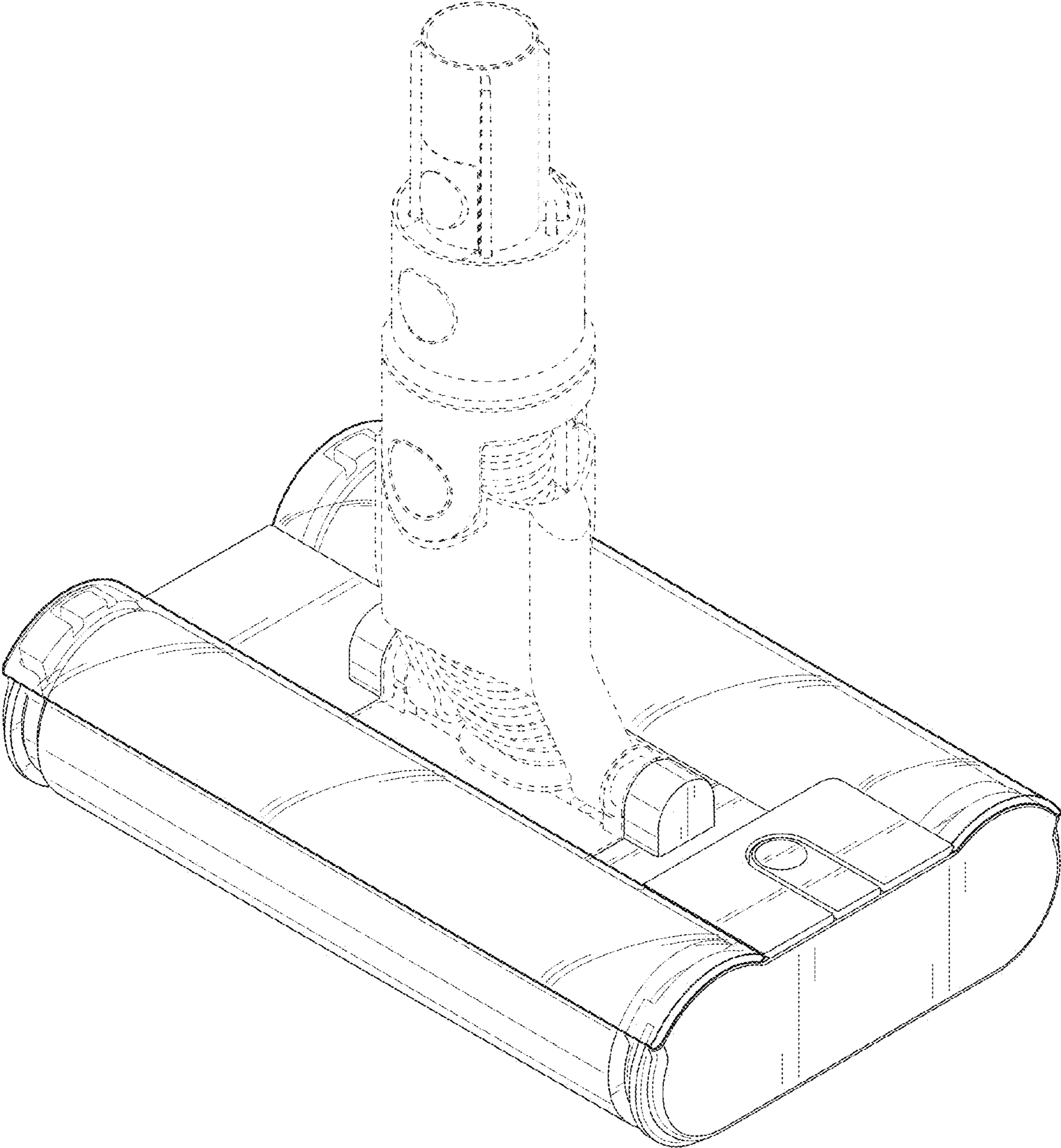


FIG. 1

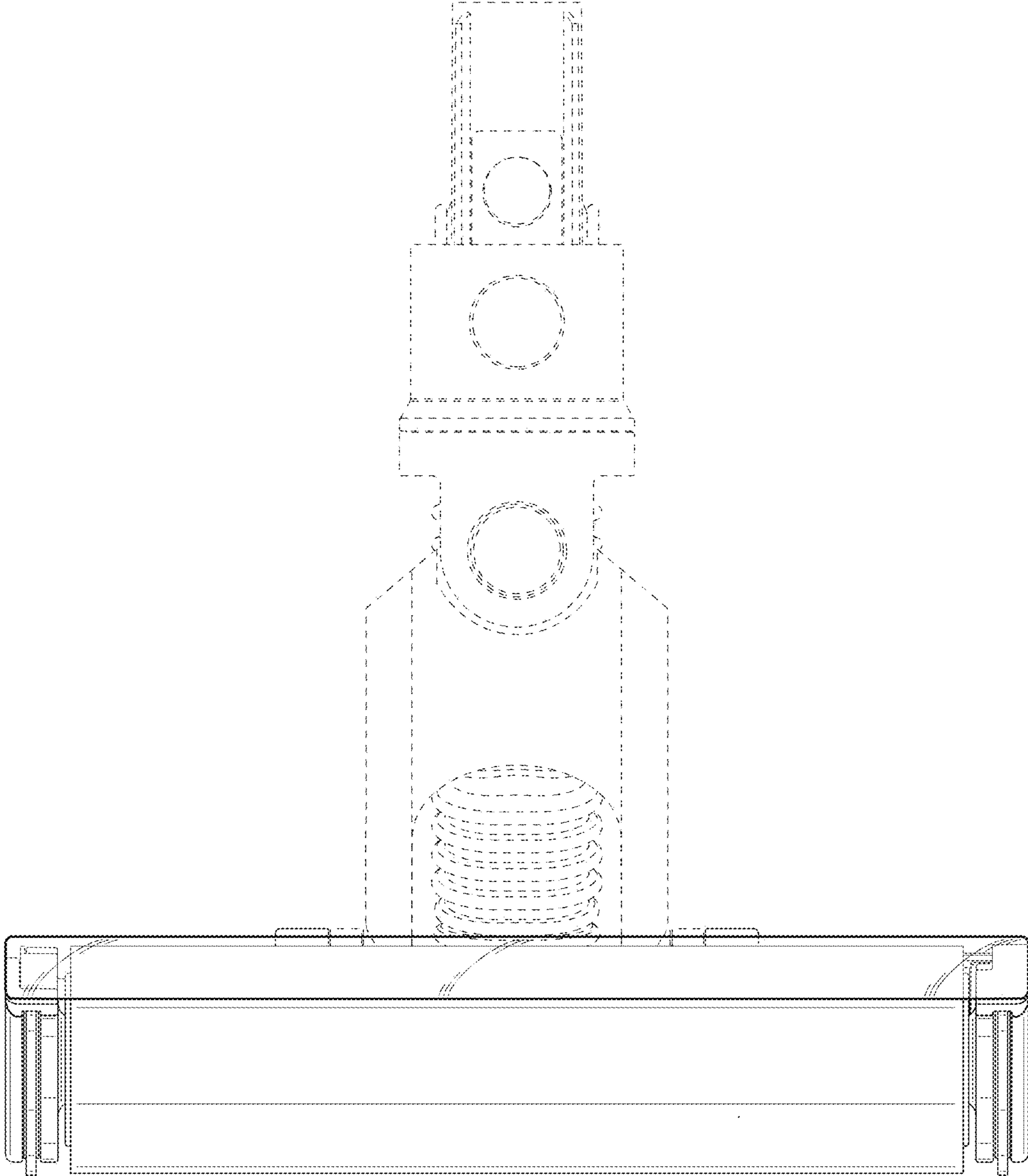


FIG. 2

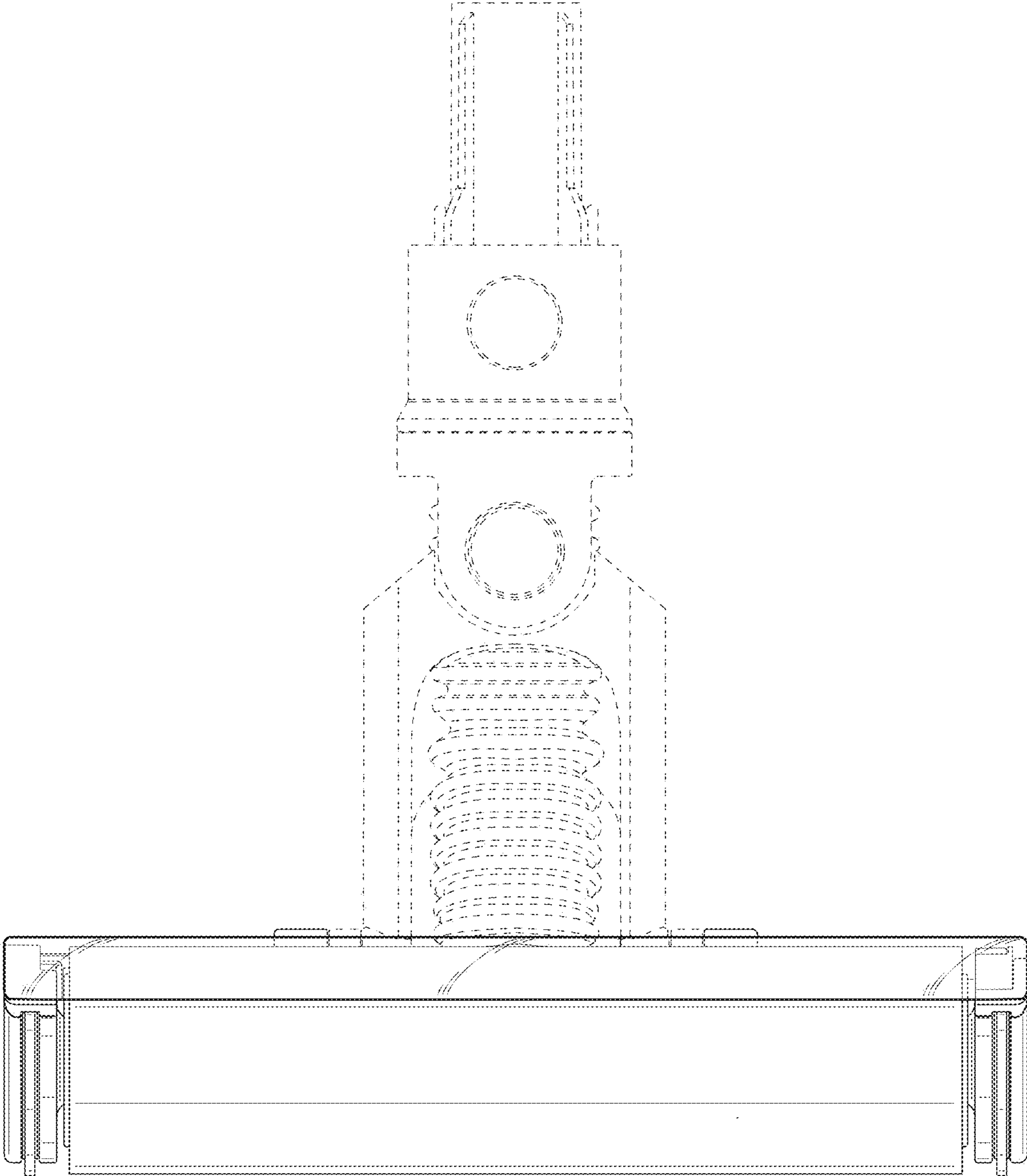


FIG. 3

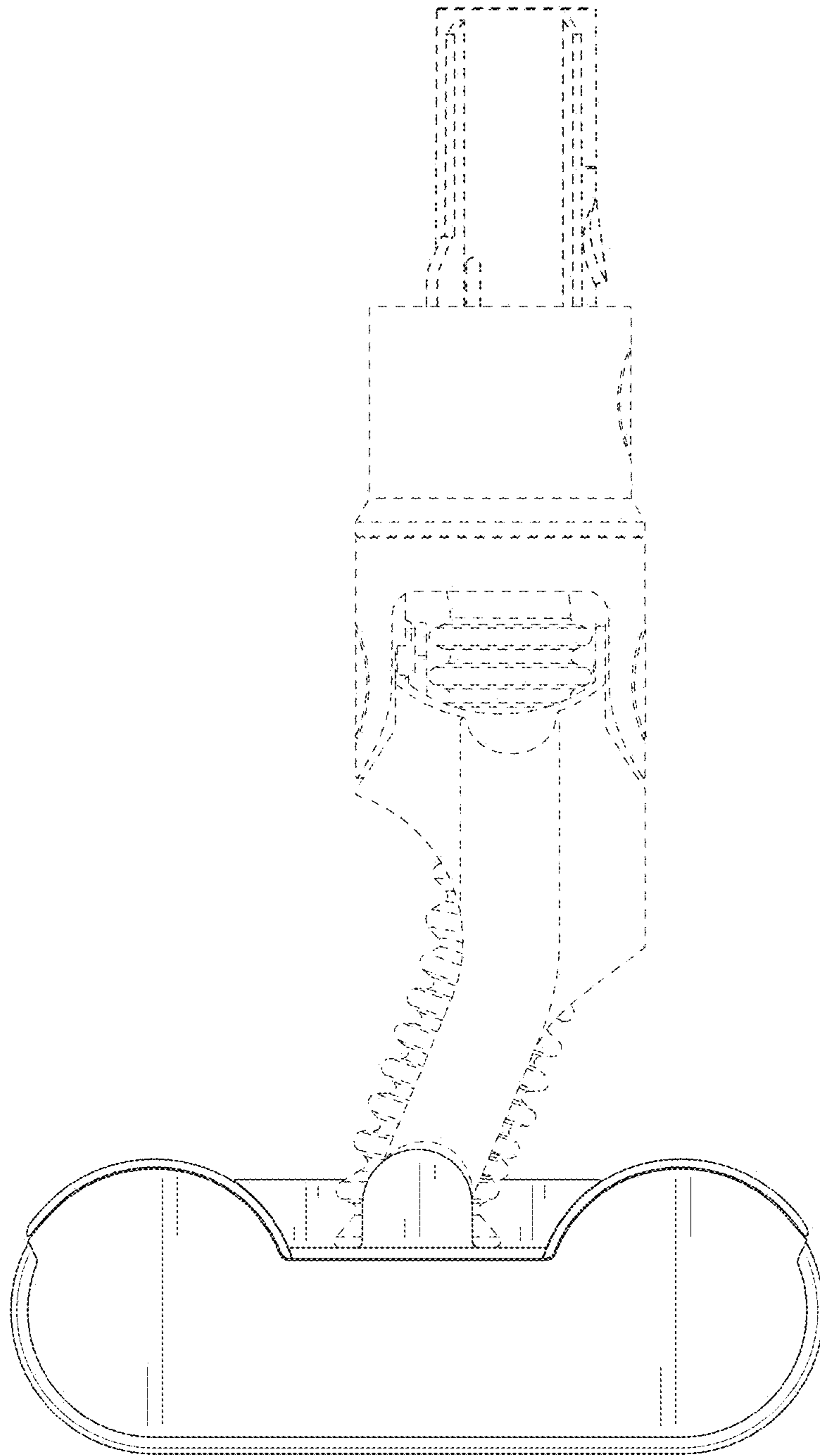


FIG. 4

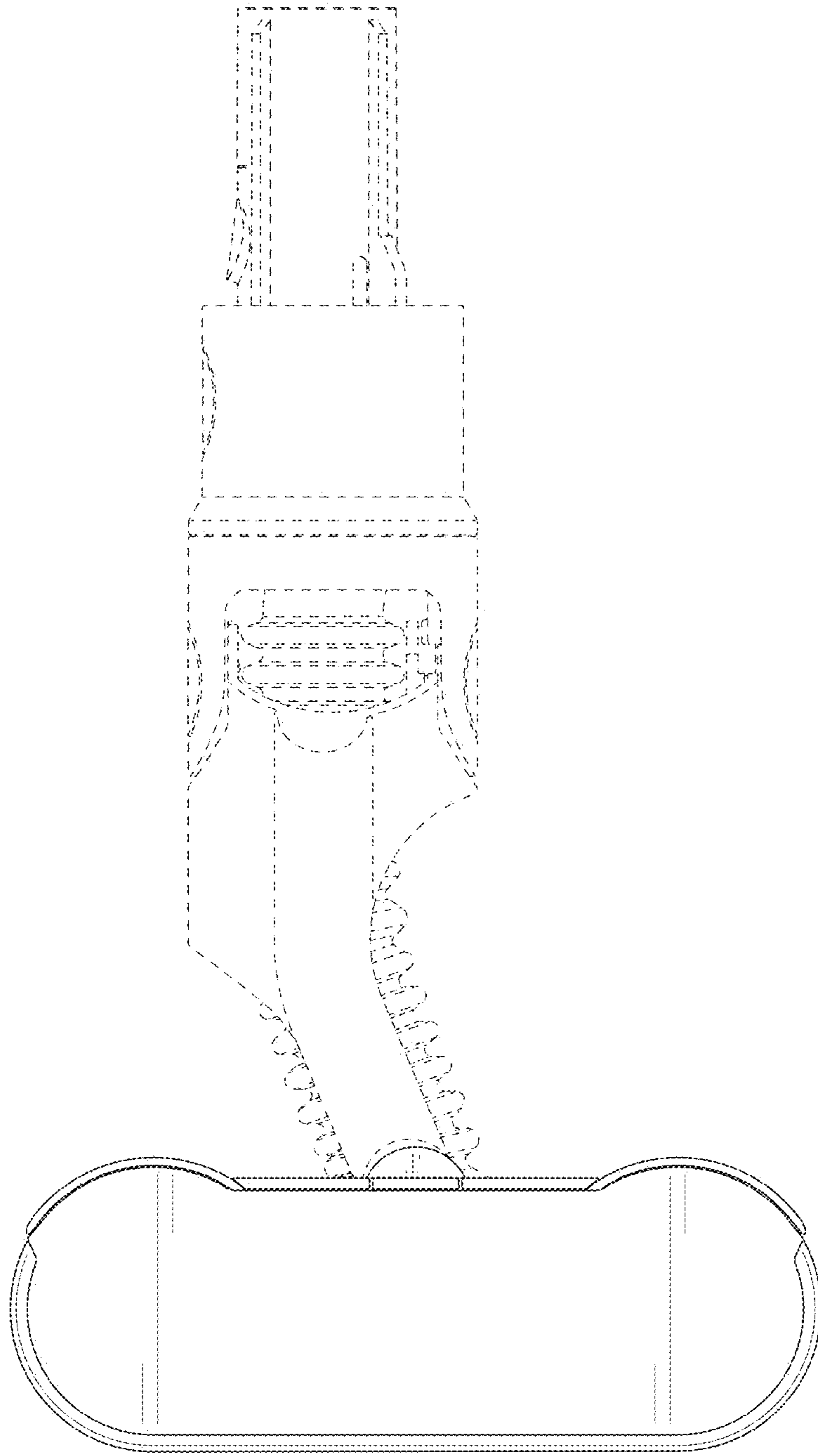


FIG. 5

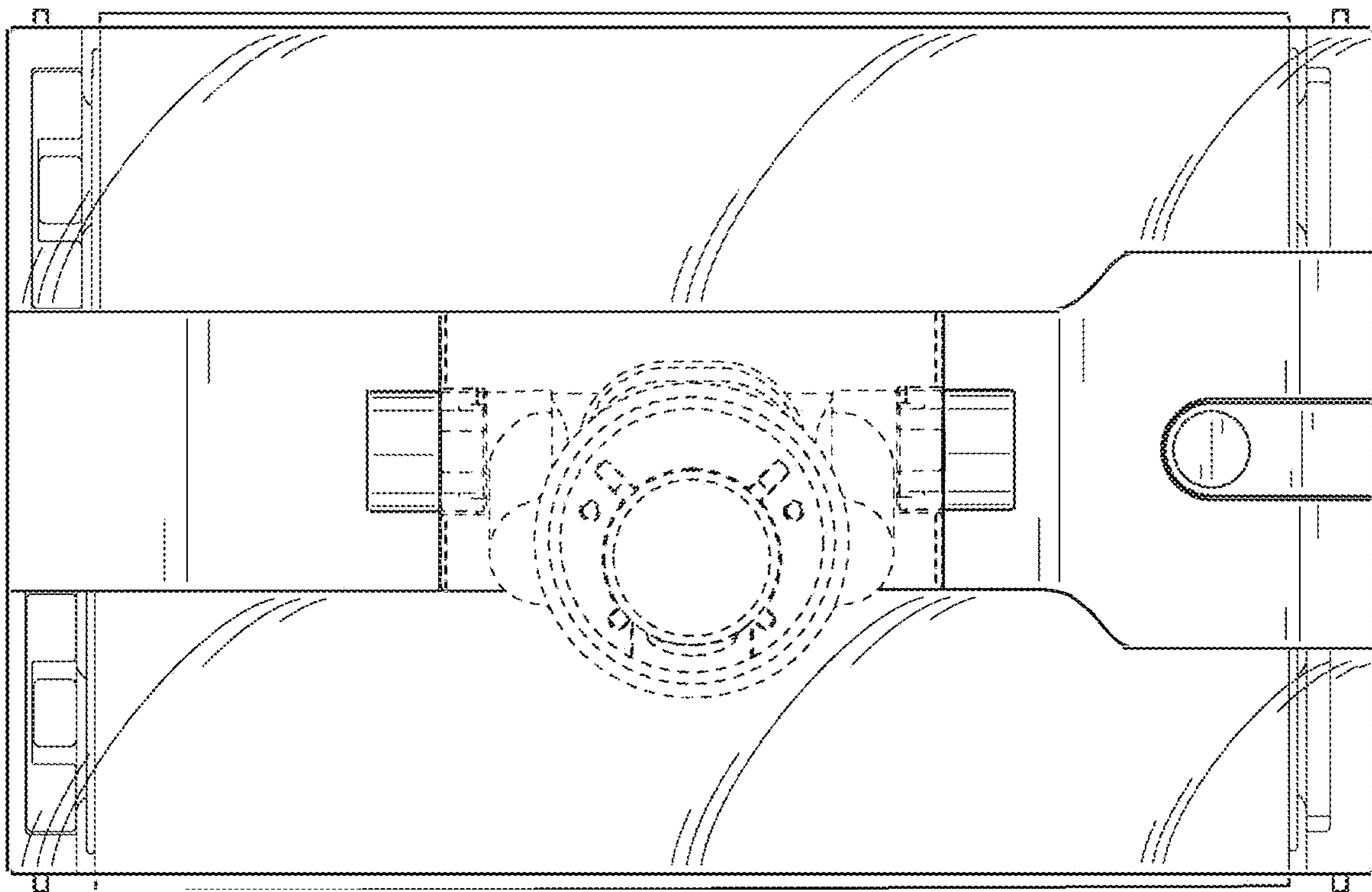


FIG. 6

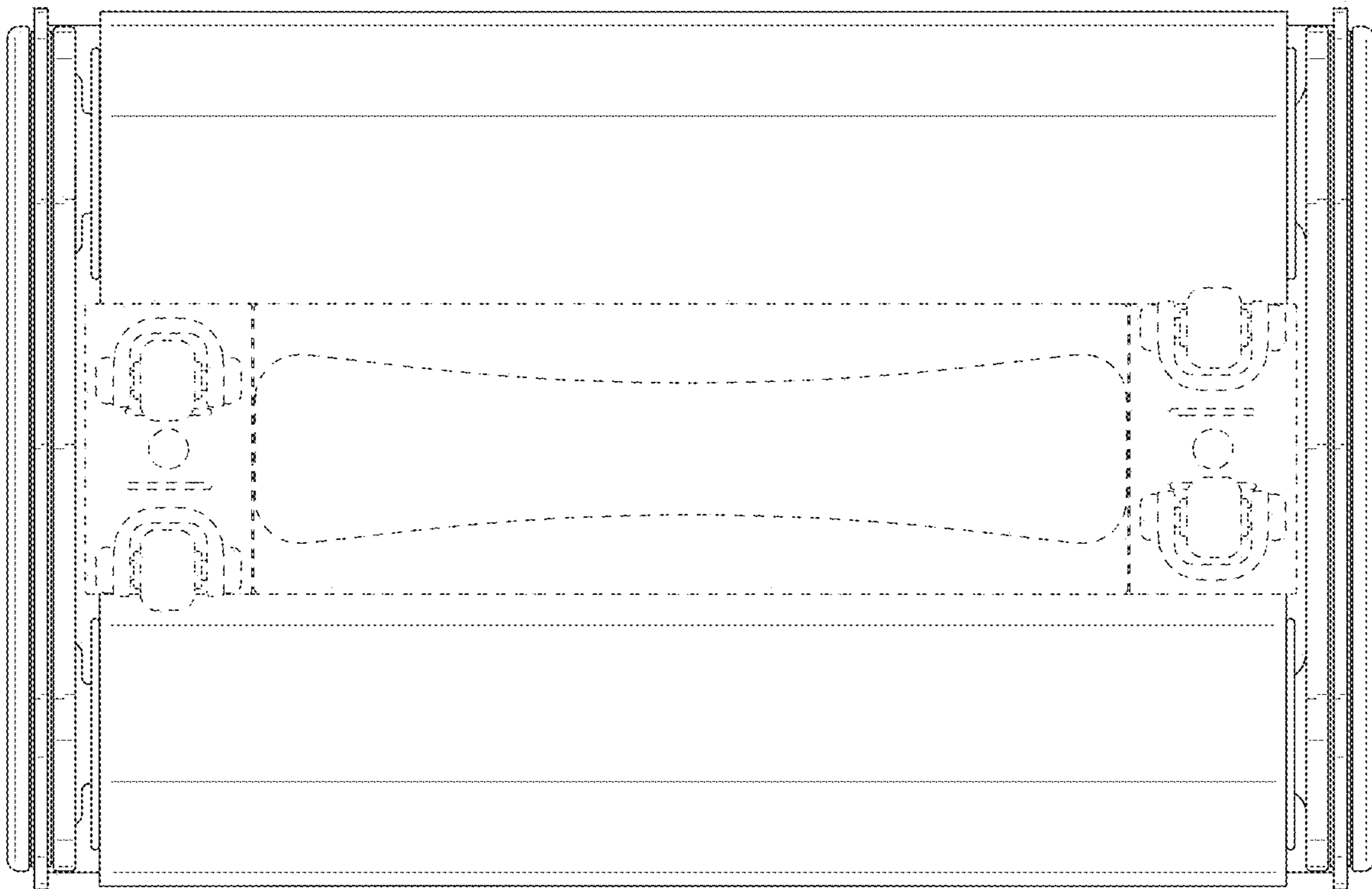


FIG. 7