

US00D948822S

(12) **United States Design Patent**
Kim et al.

(10) **Patent No.:** **US D948,822 S**
(45) **Date of Patent:** **** Apr. 12, 2022**

(54) **CLEANER FOR DUST CANISTER**

FOREIGN PATENT DOCUMENTS

(71) Applicant: **Samsung Electronics Co., Ltd.**,
Suwon-si (KR)

CN 304261570 8/2017
CN 306881476 * 10/2021

(Continued)

(72) Inventors: **Yeonsu Kim**, Suwon-si (KR);
Hyungsub Choi, Suwon-si (KR)

OTHER PUBLICATIONS

(73) Assignee: **SAMSUNG ELECTRONICS CO., LTD.**,
Gyeonggi-Do (KR)

IRobot Roomba i3+ (3550) Robot Vacuum with Automatic Dirt Disposal Disposal ,available in Amazon.ca, date first available Sep. 6, 2020 [online], [site visited Dec. 1, 2021], Available from the internet URL: https://www.amazon.ca/iRobot-Roomba-Connected-Automatic-Disposal/dp/B085D45SZF/ref=sr_1_2? (Year: 2020).*

(Continued)

(**) Term: **15 Years**

(21) Appl. No.: **29/732,525**

(22) Filed: **Apr. 24, 2020**

Primary Examiner — Dana K Weiland

Assistant Examiner — Jennylou M Binas

(30) **Foreign Application Priority Data**

(74) *Attorney, Agent, or Firm* — Cantor Colburn LLP

Jan. 7, 2020 (KR) 30-2020-0000660

(51) **LOC (13) Cl.** **15-05**

(52) **U.S. Cl.**
USPC **D32/31**

(58) **Field of Classification Search**
USPC D32/17, 18, 21–23, 25, 30–31;
D7/309–311, 326, 399, 629; D9/432,
D9/516; D13/107–108; D14/214, 434;
D23/205, 352; D34/9
CPC A46B 13/001; A46B 13/005; A47L 5/16;
A47L 5/362; A47L 5/365; A47L 5/38;
A47L 7/0038; A47L 9/0009; A47L 9/127;
A47L 9/149; A47L 9/1683; A47L 9/2842;
A47L 9/2873; A47L 2201/00; A47L
2201/02; A47L 2201/024; A47L 2201/04;
A47L 2201/06

See application file for complete search history.

(56) **References Cited**

U.S. PATENT DOCUMENTS

D183,532 S * 9/1958 McCauley D7/311
D287,089 S * 12/1986 Cesaroni D7/308
D287,690 S * 1/1987 Steinkamp D7/309

(Continued)

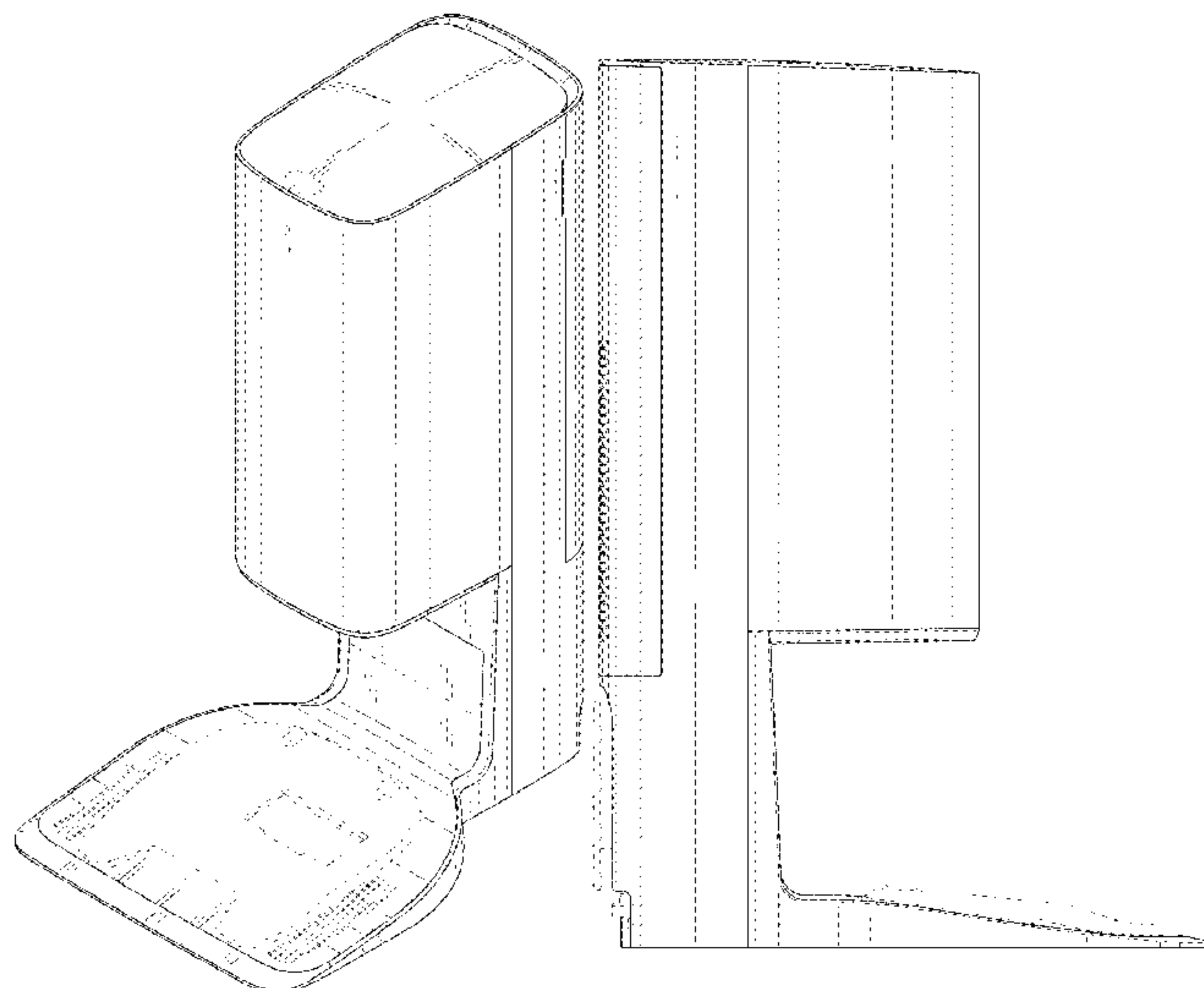
(57) **CLAIM**

The ornamental design for a cleaner for dust canister, as shown and described.

DESCRIPTION

FIG. 1 is a front perspective view of a cleaner for dust canister, showing our new design;
FIG. 2 is a front view thereof;
FIG. 3 is a rear view thereof;
FIG. 4 is a left-side view thereof;
FIG. 5 is a right-side view thereof;
FIG. 6 is a top view thereof;
FIG. 7 is a bottom view thereof; and,
FIG. 8 is another front perspective view thereof in an environment of use with a robot cleaner.
The broken lines illustrating portions of the cleaner for dust canister and robot cleaner form no part of the claimed design.

1 Claim, 8 Drawing Sheets



(56)

References Cited

U.S. PATENT DOCUMENTS

D343,758 S * 2/1994 Beeren D7/309
 D534,157 S * 12/2006 Yokoyama D14/211
 D559,484 S * 1/2008 Fjellman D13/108
 D566,352 S * 4/2008 Ågren D13/108
 D639,237 S * 6/2011 Lee D13/108
 D691,553 S 10/2013 Deoksang et al.
 D698,310 S 1/2014 Yum et al.
 D780,473 S * 3/2017 Brownley D6/515
 D793,146 S * 8/2017 Palermo D7/309
 D835,611 S * 12/2018 Yun D14/224
 D867,987 S * 11/2019 Mi D13/108
 D888,488 S * 6/2020 McColl D7/309
 D911,643 S * 2/2021 Miller D32/31
 D912,453 S * 3/2021 Liebe D7/309
 D923,891 S * 6/2021 Knapp D32/31
 2016/0166126 A1 * 6/2016 Morin A47L 9/2805
 15/319
 2020/0405107 A1 * 12/2020 Na A47L 9/106
 2021/0000315 A1 * 1/2021 Na A47L 5/365
 2021/0038034 A1 * 2/2021 Na A47L 9/1472

FOREIGN PATENT DOCUMENTS

GB 8207962000-4000 * 4/2020
 GB 6122496 * 3/2021

JP D1627034 2/2019
 KR 300798349 5/2015
 WO D207962-004 * 10/2020

OTHER PUBLICATIONS

Proscenic M7 Pro Robot Vacuum Cleaner, available in Amazon.ca, date first available Feb. 14, 2020 [online], [site visited Dec. 1, 2021], Available from the internet URL: https://www.amazon.ca/dp/B07Z9YWWKD/ref=sspa_dk_detail_10? (Year: 2020).*

ECOVACS Deebot N8 Pro+ Robot Vacuum and Mop Cleaner, with Self Empty Station, available in Amazon.ca, date first available Jan. 26, 2021 [online], [site visited Dec. 1, 2021], Available from the internet URL: <https://www.amazon.ca/Auto-Empty-Laser-Based-Navigation-Detection-Multi-Floor/dp/B08S7ND492?> (Year: 2021).*

The Best Deals From Samsung's Cyber Monday Sale, available in website.com, announced Nov. 29, 2021 [online], [site visited Dec. 1, 2021], Internet URL: <https://www.forbes.com/sites/forbes-personal-shopper/2021/11/29/samsung-cyber-monday-deals-2021/> (Year: 2021).*

Clean Base Automatic Dirt Disposal—iRobot. p. 1 of 1 [online]. Published Sep. 6, 2018 [retrieved on Sep. 17, 2020]. Retrieved from the Internet: <URL: https://www.youtube.com/watch?v=HPgxcETuqzl&feature=emb_logo.

Korean Office Action for Application No. 30-2020-0000660 dated Sep. 1, 2020 enumerating the listed reference.

* cited by examiner

FIG. 1

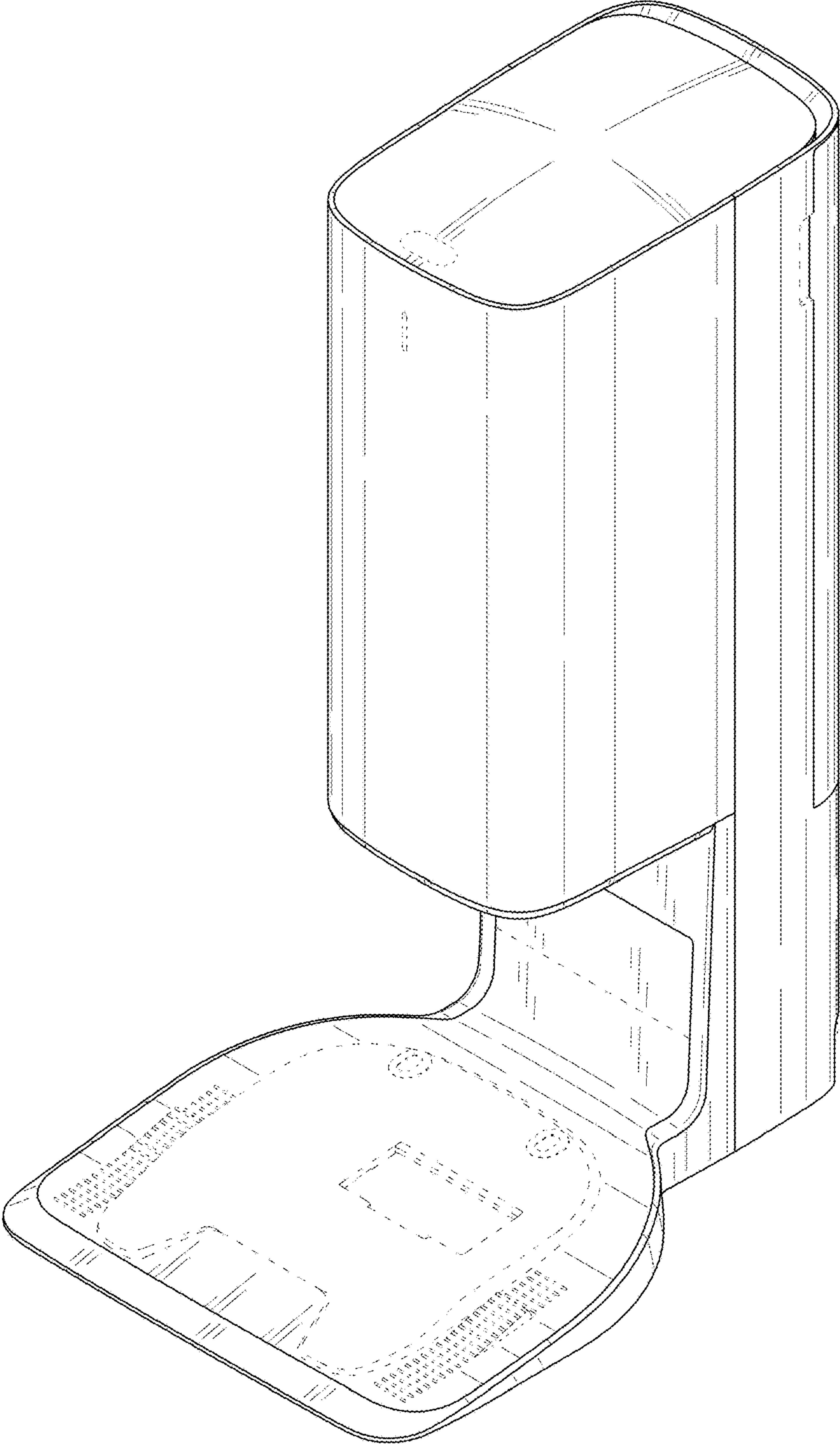


FIG. 2

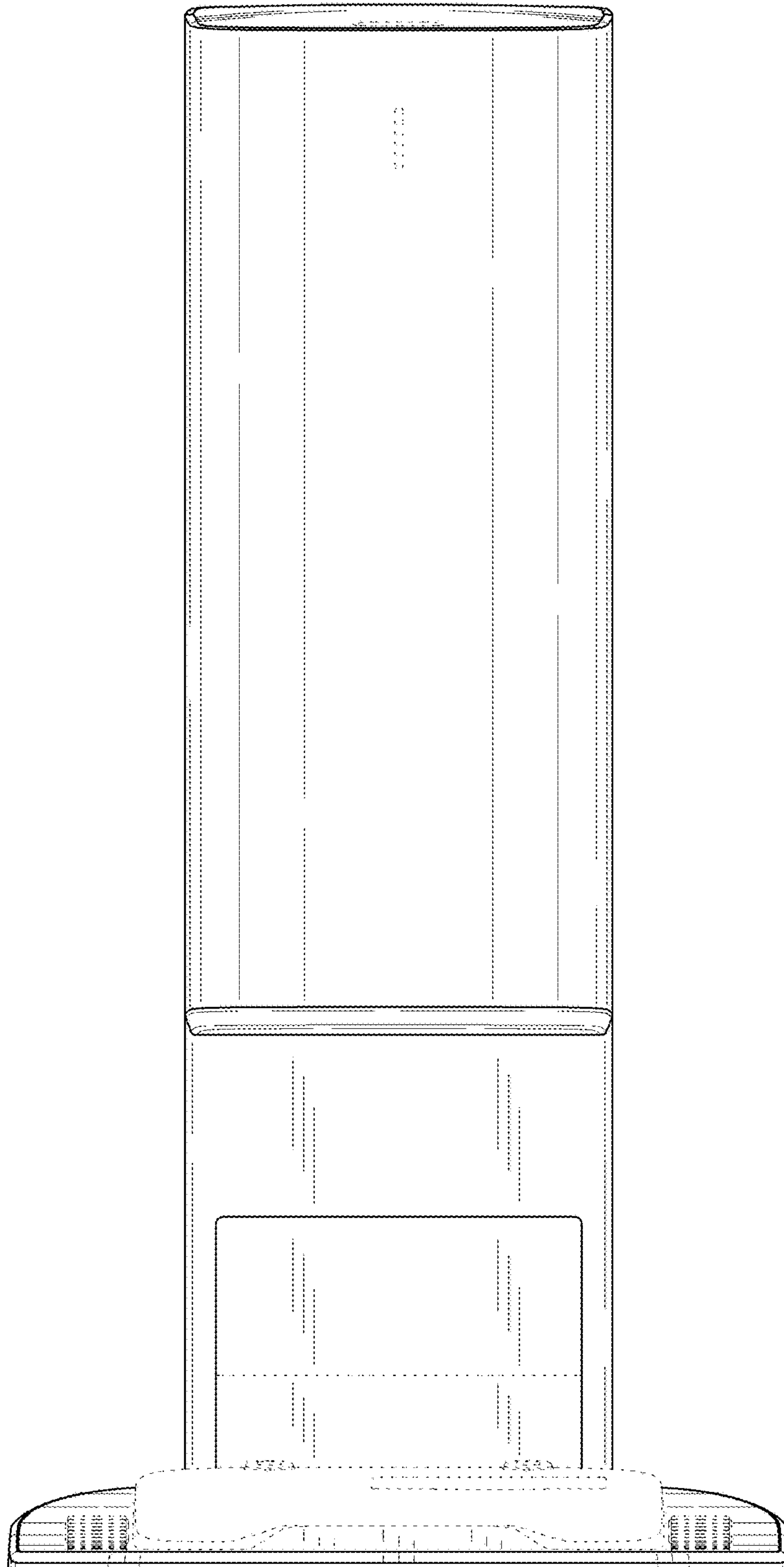


FIG. 3

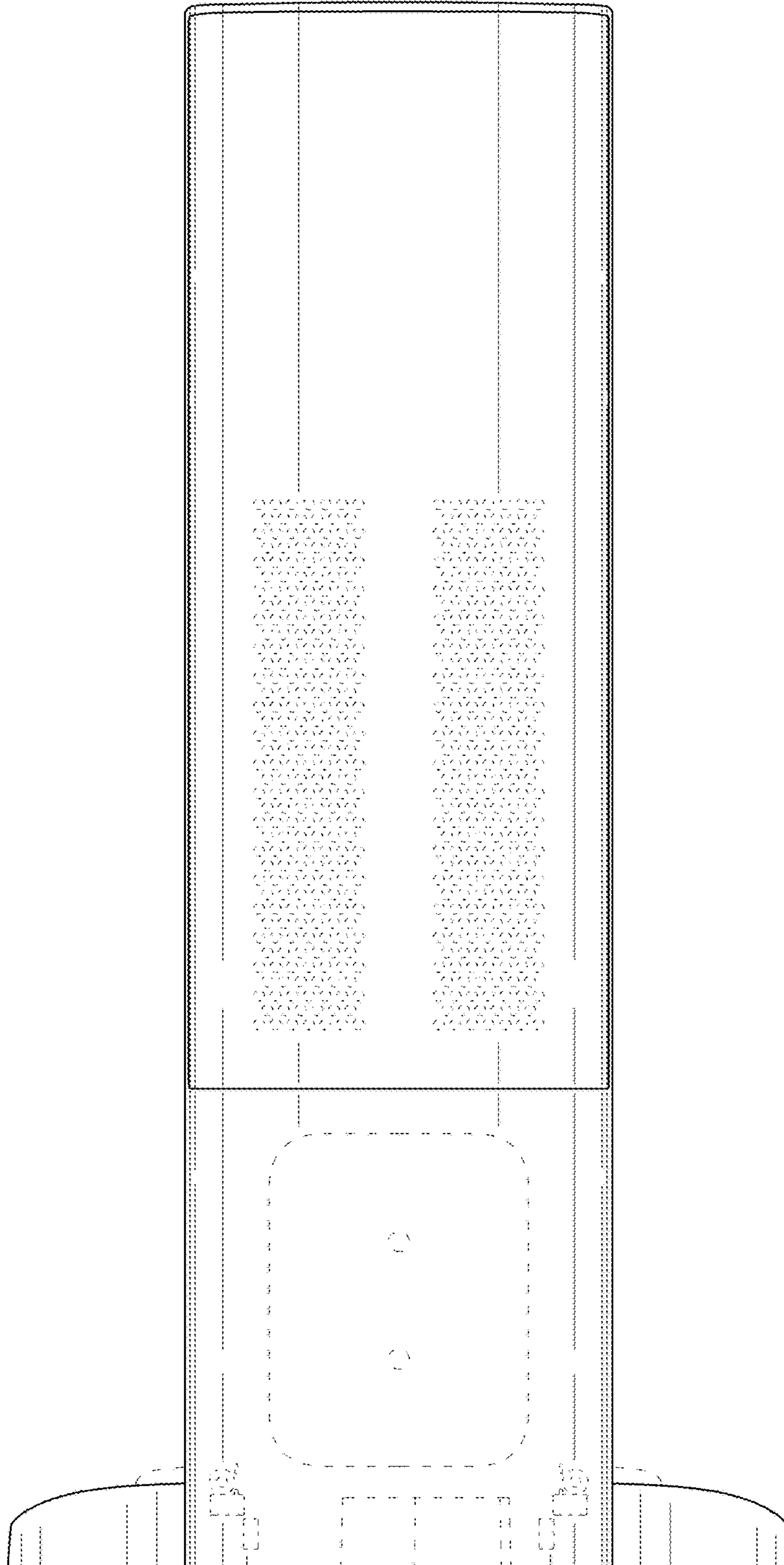


FIG. 4

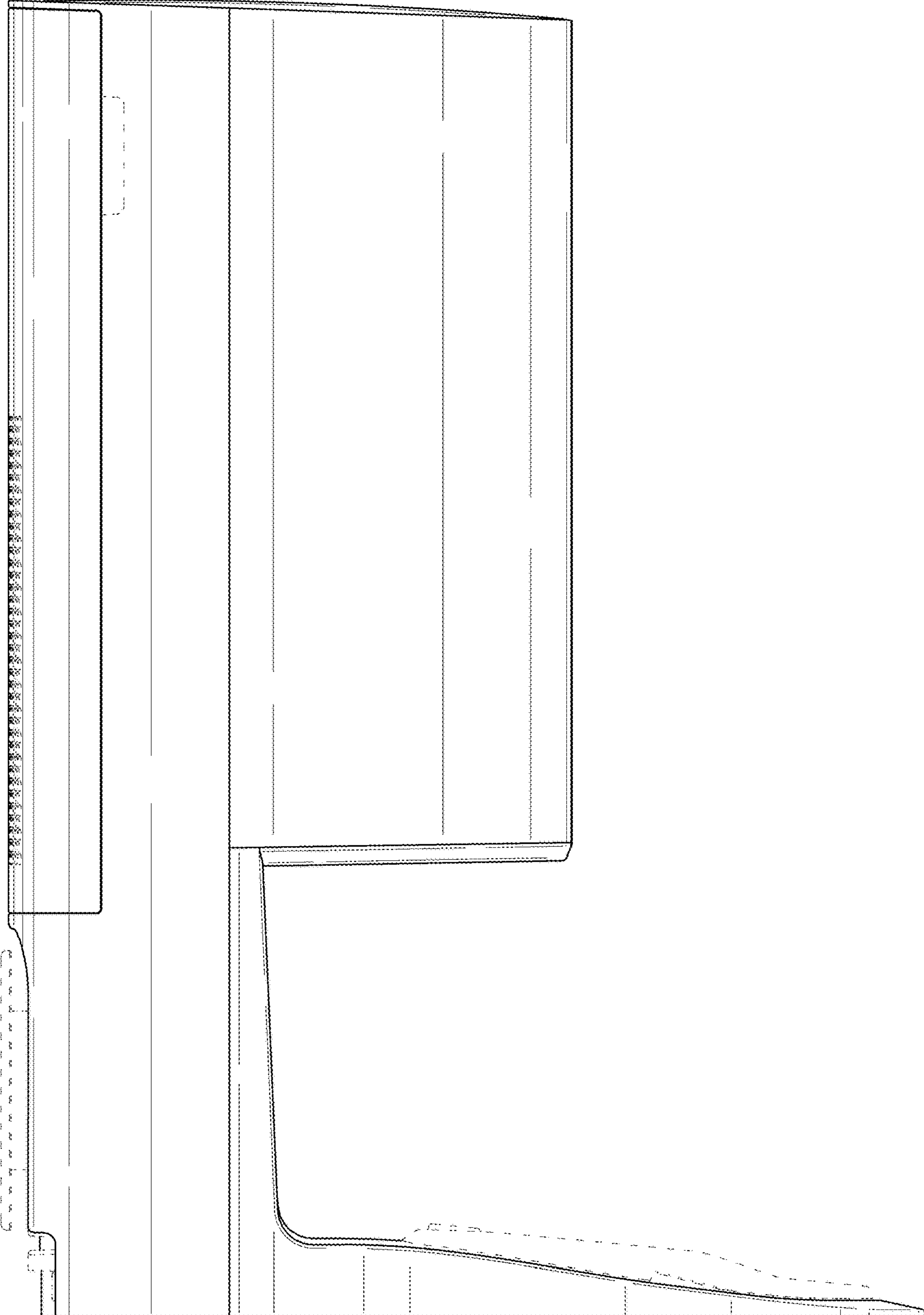


FIG. 5

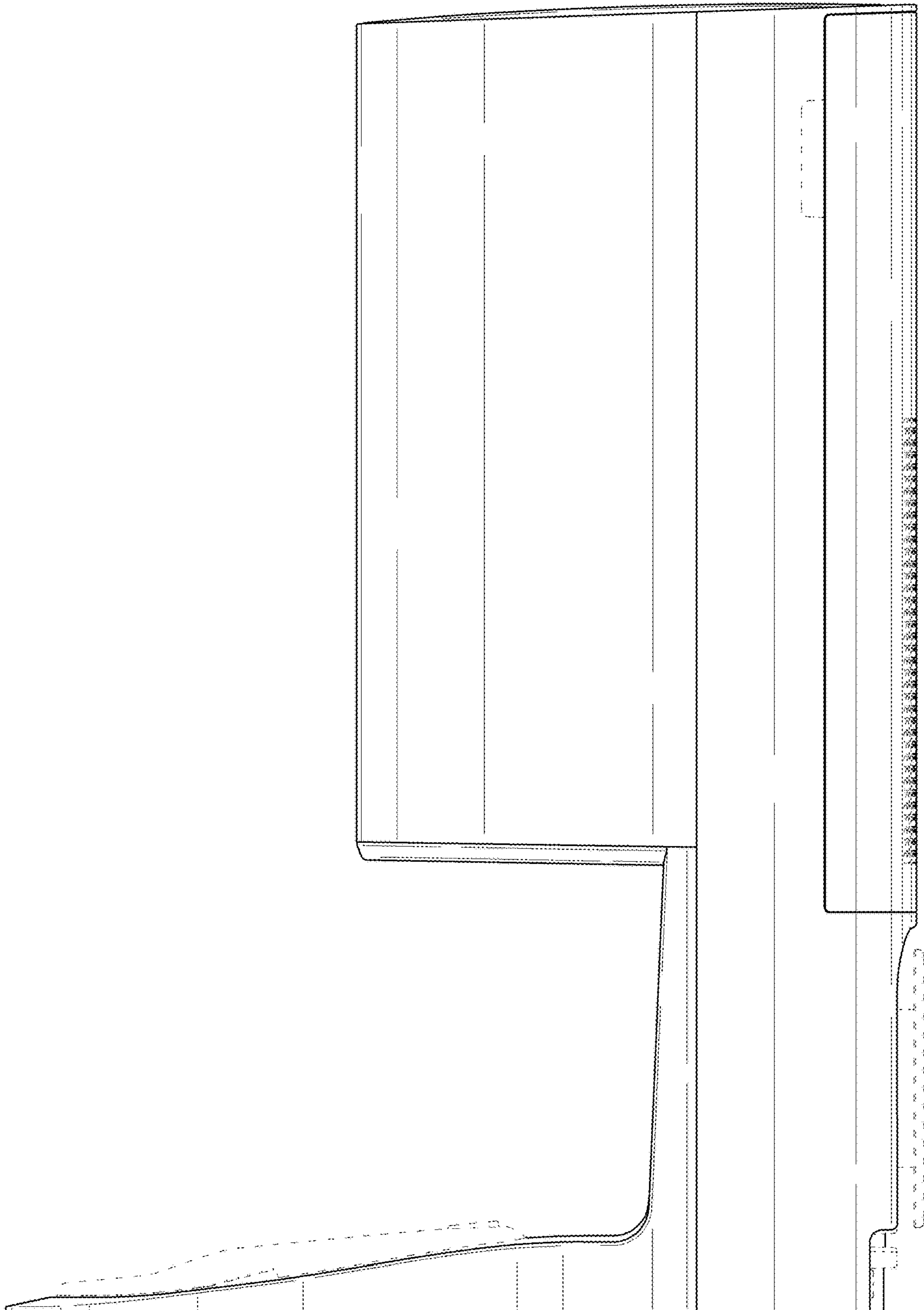


FIG. 6

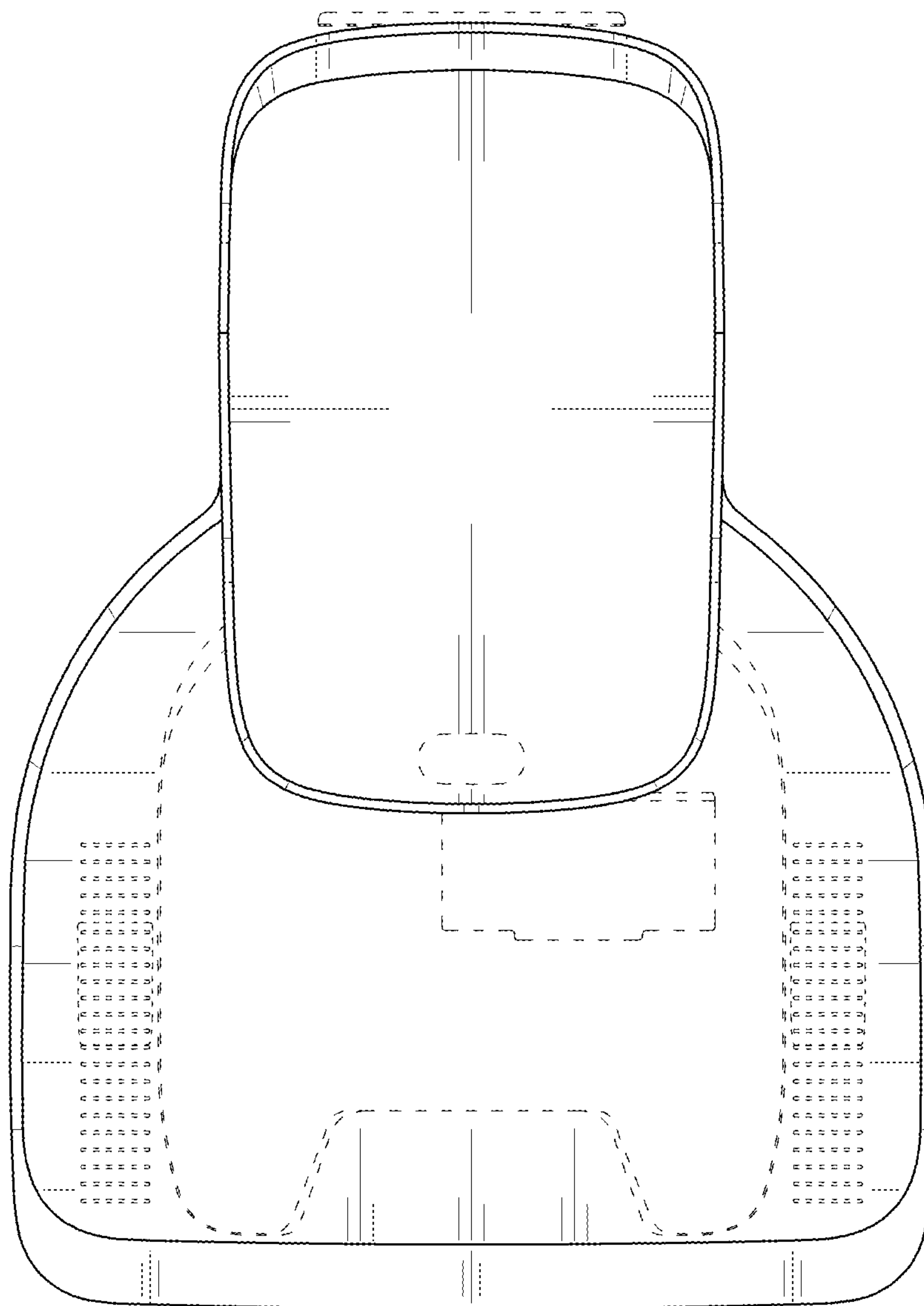


FIG. 7

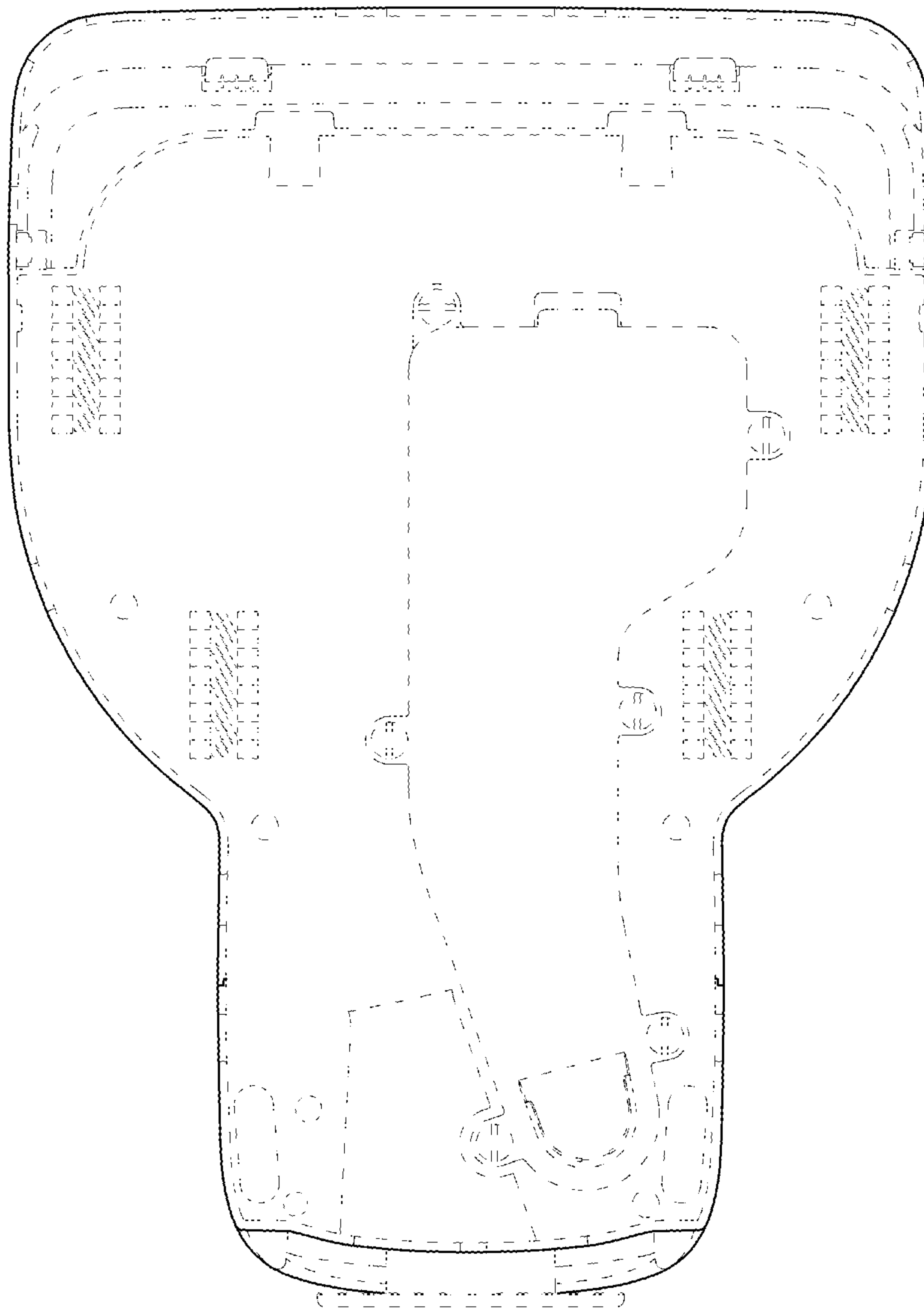


FIG. 8

