



US00D948819S

(12) **United States Design Patent**
Kim et al.

(10) **Patent No.:** **US D948,819 S**
(45) **Date of Patent:** **** Apr. 12, 2022**

(54) **CLEANER FOR DUST CANISTER**

FOREIGN PATENT DOCUMENTS

(71) Applicant: **SAMSUNG ELECTRONICS CO., LTD.**, Suwon-si (KR)

CN 304354274 S 11/2017
EM 000824644-0003 11/2007

(Continued)

(72) Inventors: **Yeonsu Kim**, Suwon-si (KR);
Hyounsub Choi, Suwon-si (KR)

OTHER PUBLICATIONS

(73) Assignee: **SAMSUNG ELECTRONICS CO., LTD.**, Gyeonggi-Do (KR)

LG CordZero A9 Stick Vacuum, available in Amazon.com.au, date first available Oct. 31, 2018 [online], [site visited date], Available from the internet URL: <https://www.amazon.com.au/LG-CordZero-Powerful-Long-Lasting-400-00watts/dp/B07K2LP2N3> (Year: 2018).*

(Continued)

(**) Term: **15 Years**

(21) Appl. No.: **29/723,831**

(22) Filed: **Feb. 11, 2020**

Primary Examiner — Dana K Weiland

Assistant Examiner — Jennylou M Binas

(30) **Foreign Application Priority Data**

(74) *Attorney, Agent, or Firm* — Cantor Colburn LLP

Sep. 3, 2019 (KR) 30-2019-0042471

(57) **CLAIM**

(51) **LOC (13) Cl.** **15-05**

The ornamental design for a cleaner for dust canister, as shown and described.

(52) **U.S. Cl.**

USPC **D32/31; D32/30**

(58) **Field of Classification Search**

DESCRIPTION

USPC D32/17, 18, 21–23, 25, 30–31; D6/528;
D7/309, 326, 399, 590, 615, 624.3, 629;
D9/516, 529; D13/107–108; D14/211,
D14/213, 215–216, 434; D23/205, 352;
D34/9

FIG. 1 is a front perspective view of a cleaner for dust canister, showing our new design;
FIG. 2 is a front view thereof;
FIG. 3 is a rear view thereof;
FIG. 4 is a left-side view thereof;
FIG. 5 is a right-side view thereof;
FIG. 6 is a top view thereof;
FIG. 7 is a bottom view thereof;
FIG. 8 is a cross-sectional view taken in the direction of line 8-8 in FIG. 2; and,
FIG. 9 is another front perspective view thereof in an environment of use.

CPC A46B 13/001; A46B 13/005; A47L 5/16;
A47L 5/362; A47L 5/365; A47L 5/38;
A47L 7/0038; A47L 9/0009; A47L 9/127;
A47L 9/149; A47L 9/1683; A47L 9/2842;

(Continued)

The broken lines depict portions of the cleaner for dust canister that form no part of the claimed design. The additional broken lines in FIG. 9 show environmental structure that forms no part of the claimed design.

(56) **References Cited**

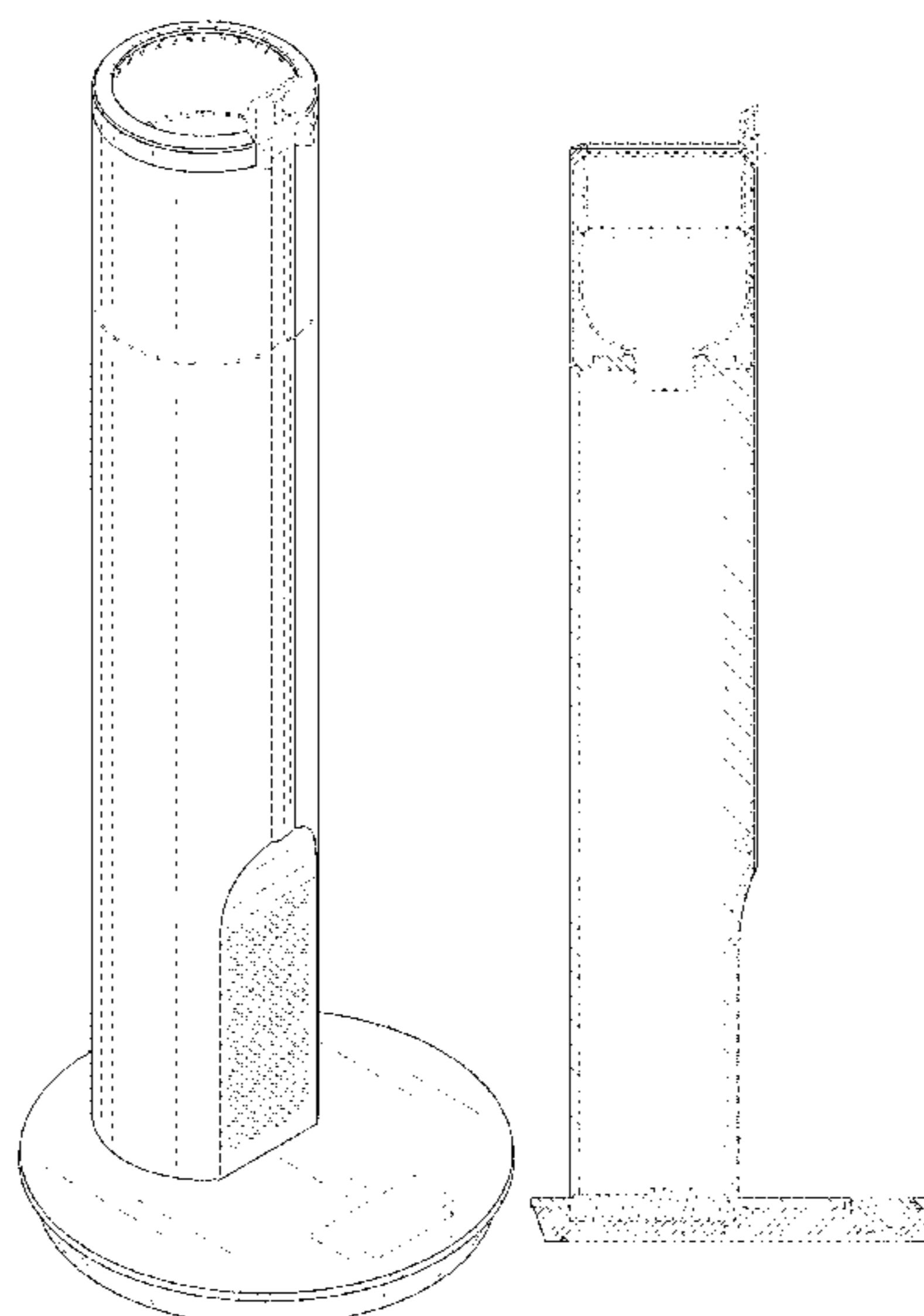
U.S. PATENT DOCUMENTS

1,785,438 A * 12/1930 Edlin A47J 36/24
126/261

D354,750 S * 1/1995 Lewis D14/211

(Continued)

1 Claim, 8 Drawing Sheets



(58) **Field of Classification Search**
 CPC A47L 9/2873; A47L 2201/00; A47L
 2201/02; A47L 2201/024; A47L 2201/04;
 A47L 2201/06
 See application file for complete search history.

D833,793 S * 11/2018 Olaya D7/313
 D853,354 S * 7/2019 Demin D14/211
 D854,670 S * 7/2019 Fang D23/333
 D854,671 S * 7/2019 Fang D23/333
 D854,672 S * 7/2019 Fang D23/333
 D921,584 S * 6/2021 Bournique D13/108
 D923,865 S * 6/2021 Wang D27/162
 D935,714 S * 11/2021 Park D32/22

(56) **References Cited**

U.S. PATENT DOCUMENTS

D455,876 S * 4/2002 Arney D32/22
 D457,875 S * 5/2002 Joe D14/211
 D475,991 S * 6/2003 Hisatsune D14/211
 D489,360 S * 5/2004 Yang D14/211
 D491,552 S * 6/2004 Niitsu D14/211
 D491,920 S * 6/2004 Tsuge D14/211
 D492,281 S * 6/2004 Hakoda D14/211
 D496,923 S * 10/2004 Allen D14/211
 D512,987 S * 12/2005 Tsuge D14/211
 D543,667 S * 5/2007 Yoshimoto D32/18
 D562,802 S * 2/2008 Kim D14/211
 D563,142 S * 3/2008 Kauer D7/306
 D568,292 S * 5/2008 Tsuge D14/211
 D588,576 S * 3/2009 Son D14/211
 D612,114 S * 3/2010 Ikeno D32/22
 D687,812 S * 8/2013 Lee D14/211
 D691,117 S * 10/2013 Silvera D14/216
 D708,167 S * 7/2014 Ryu D14/213
 D708,168 S * 7/2014 Ryu D14/213
 D753,445 S * 4/2016 Khalifa D7/615
 D766,211 S * 9/2016 Choi D14/211
 D811,147 S * 2/2018 DeBaker D7/300

FOREIGN PATENT DOCUMENTS

GB 8206975000-3000 * 2/2020
 JP D1626243 S 3/2019
 KR 300864463 S 7/2017
 KR 300971210 S 9/2018
 WO D206975-003 * 8/2020

OTHER PUBLICATIONS

Samsung Bespoke Jet Cordless Stick Vacuum , available in thegadgetflow.com, announced May 19, 2021 [online], [site visited Dec. 13, 2021], Internet URL: <https://thegadgetflow.com/portfolio/samsung-bespoke-jet-cordless-stick-vacuum-has-samsung-clean-station/> (Year: 2021).*

Samsung, LG Release Vacuum Cleaners with Upgraded Charging Stations, available in koreabizwire.com, announced Feb. 5, 2021 [online], [site visited Dec. 13, 2021], Internet URL: <http://koreabizwire.com/samsung-lg-release-vacuum-cleaners-with-upgraded-charging-stations/181588> (Year: 2021).*

* cited by examiner

FIG. 1

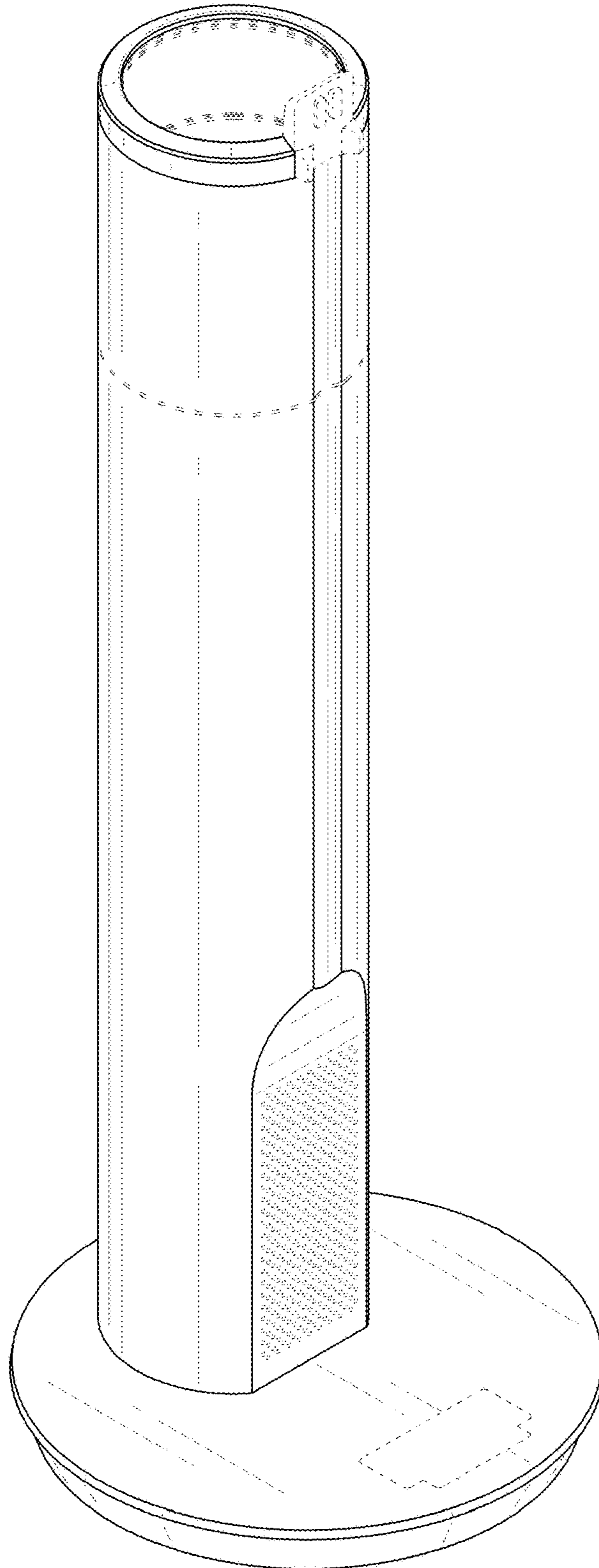


FIG. 2

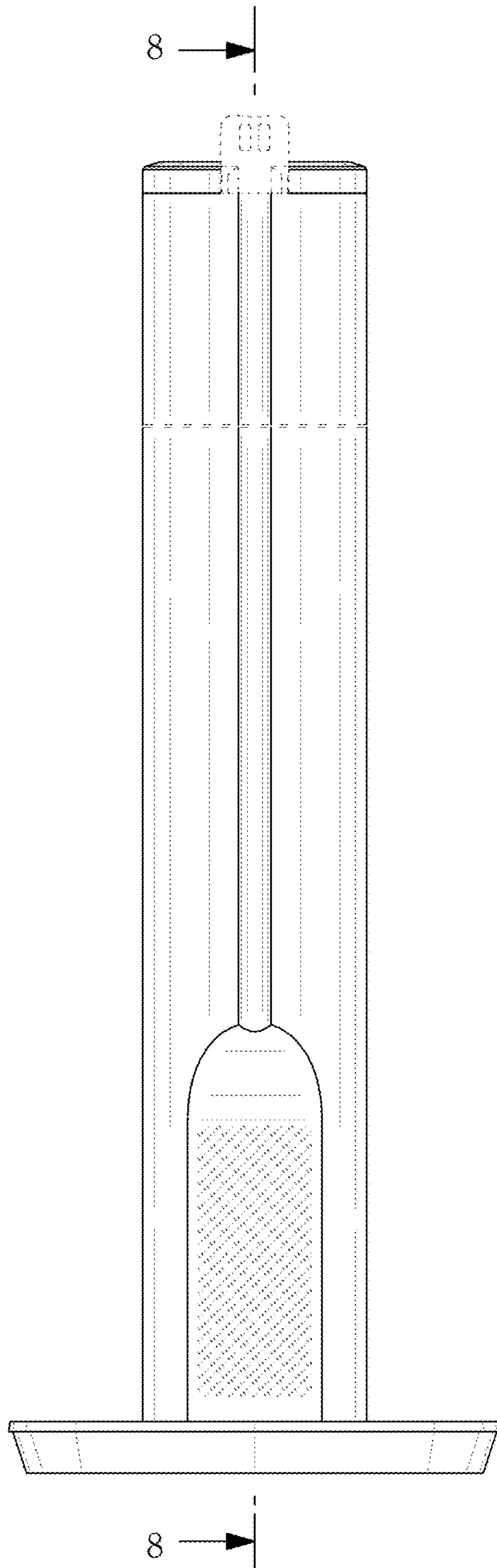


FIG. 3

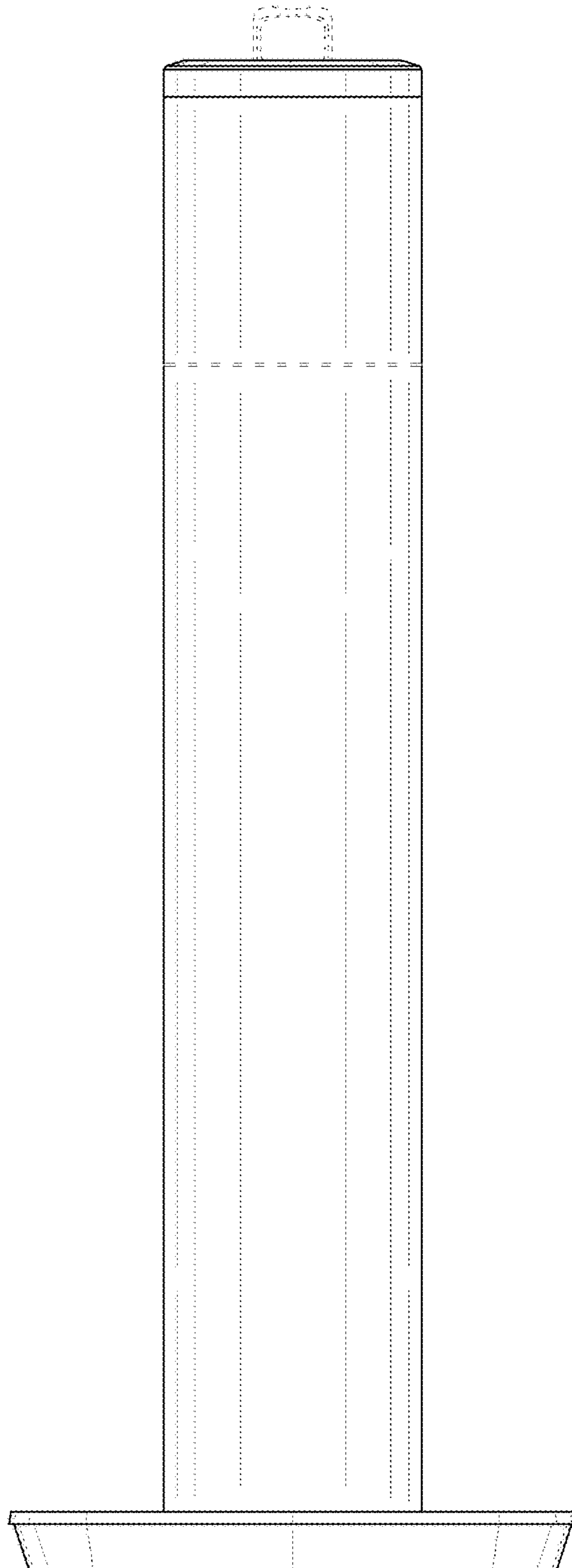


FIG. 4

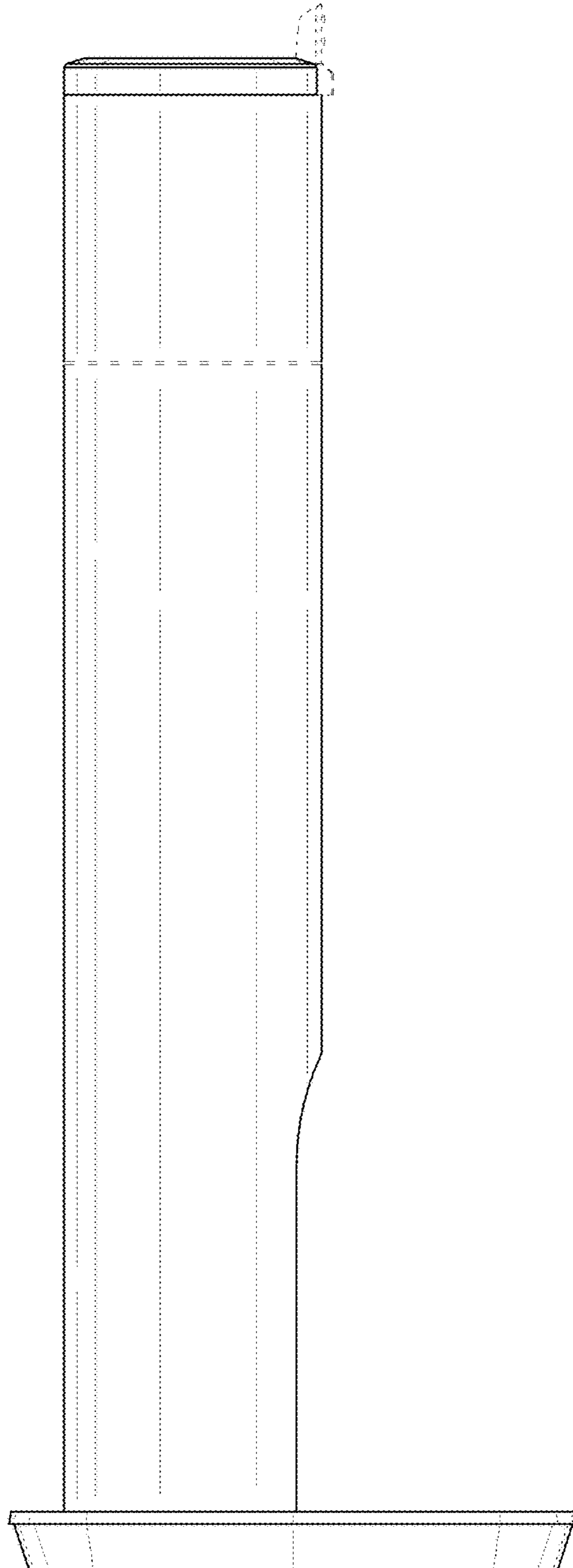


FIG. 5

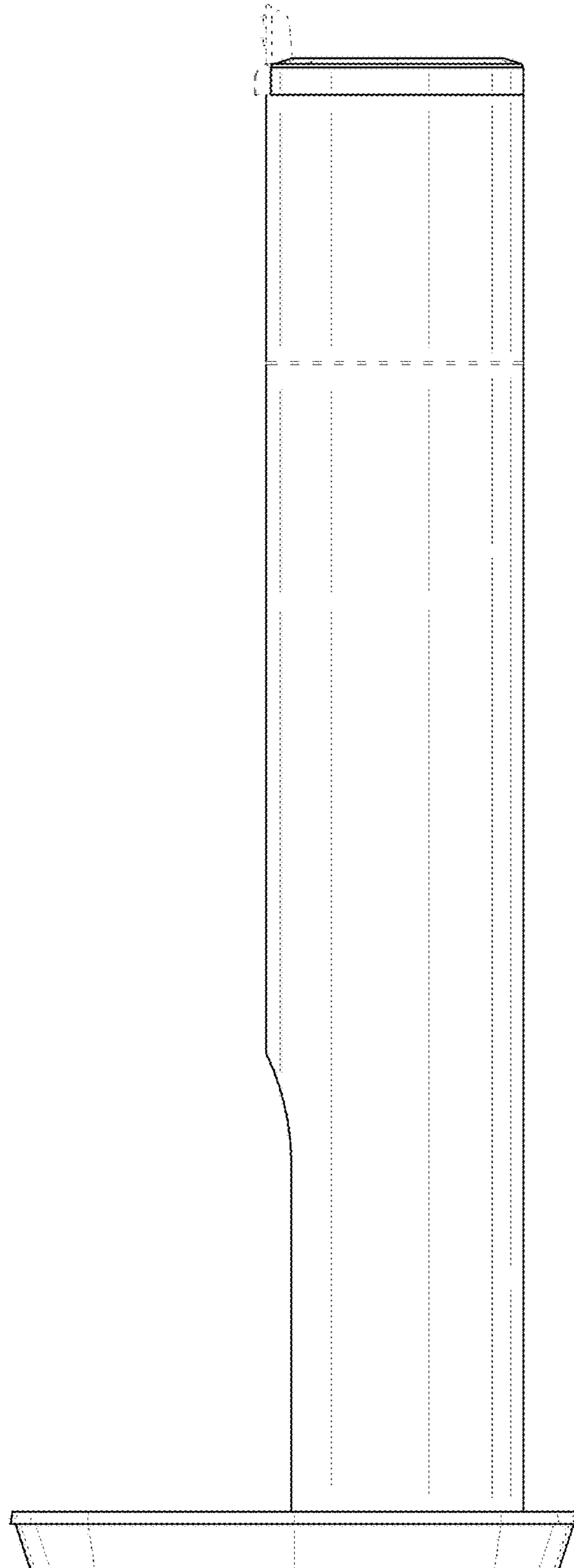


FIG. 6

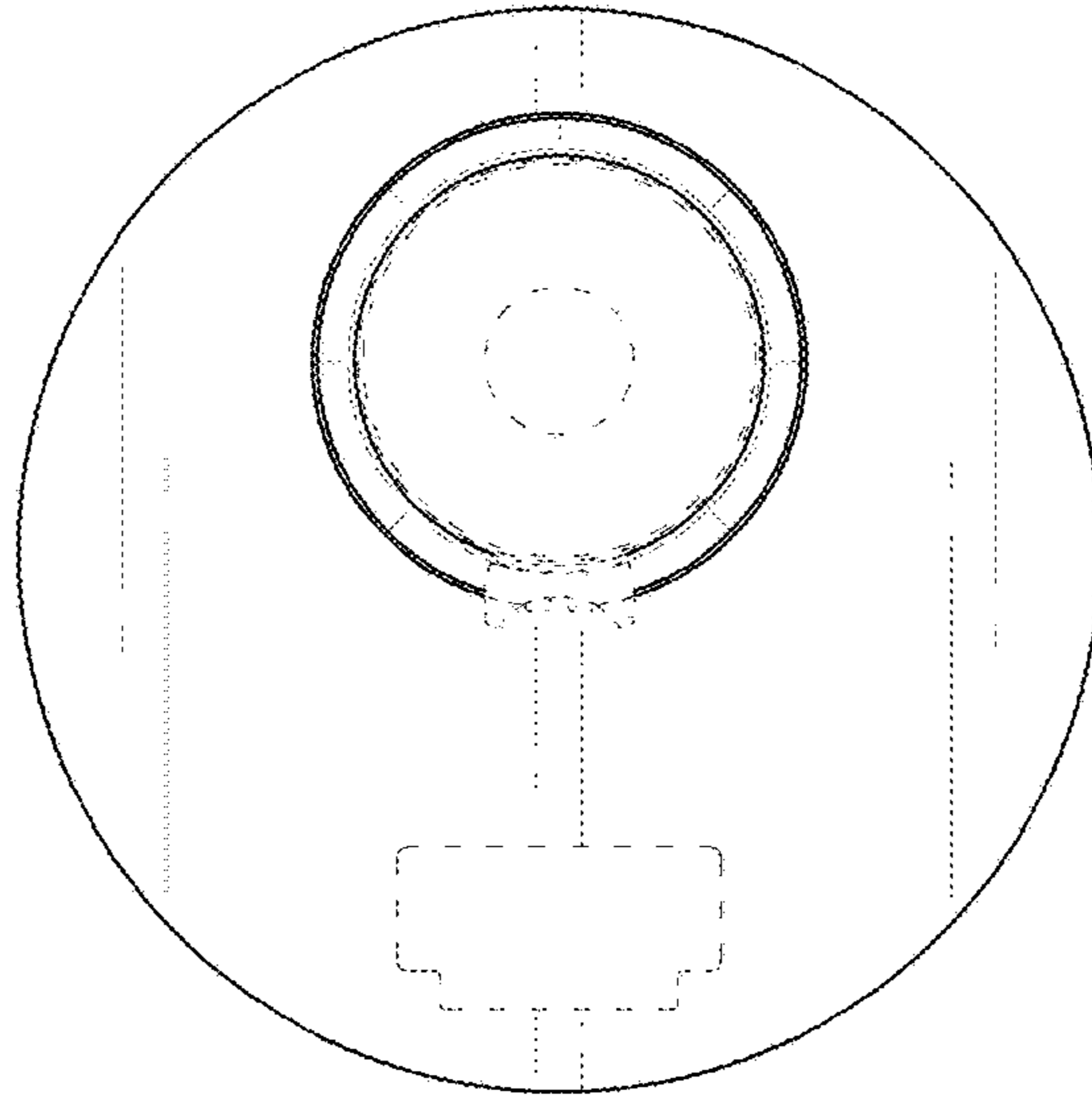


FIG. 7

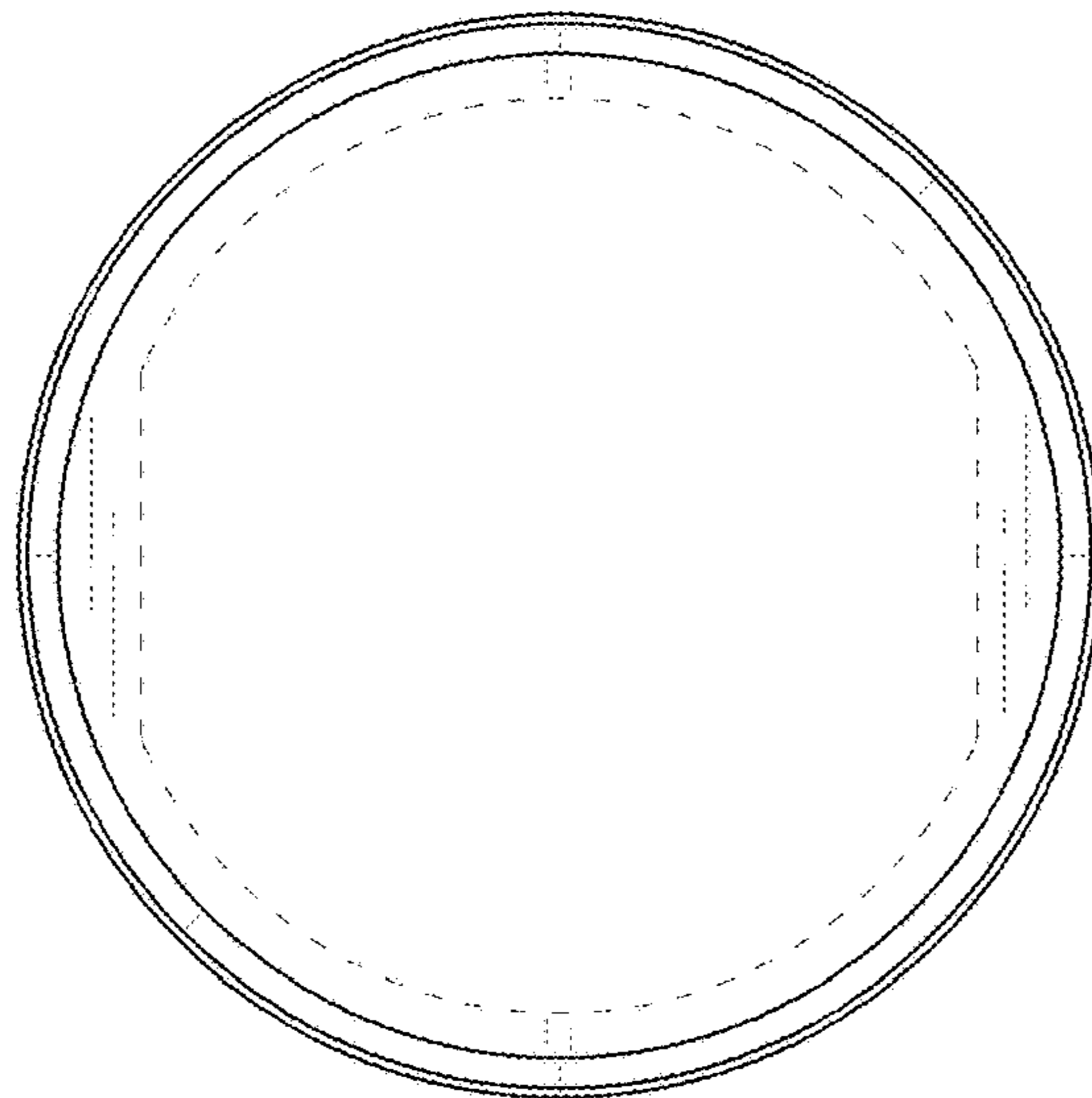


FIG. 8

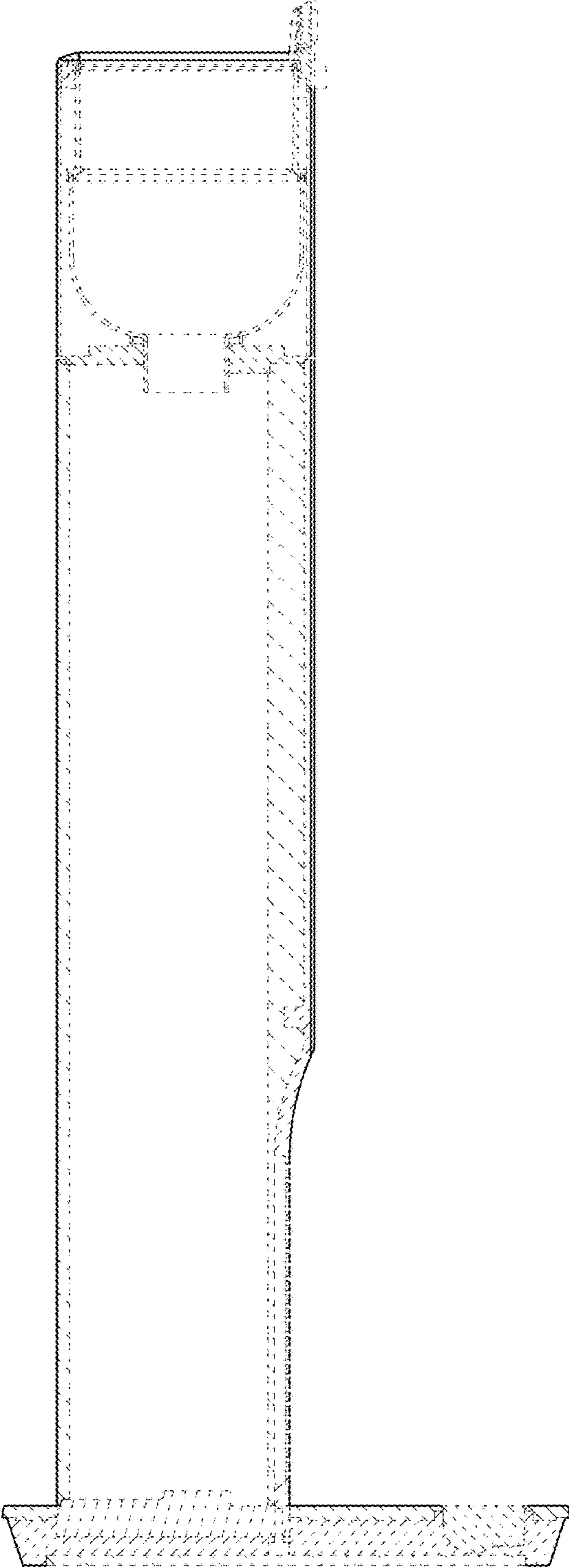


FIG. 9

