



US00D948817S

(12) **United States Design Patent**
Zou

(10) **Patent No.:** **US D948,817 S**
(45) **Date of Patent:** **** Apr. 12, 2022**

- (54) **HANDHELD VACUUM CLEANER**
- (71) Applicant: **FINE DRAGON TECHNOLOGY LIMITED**, Guangdong (CN)
- (72) Inventor: **Zhenren Zou**, Guangdong (CN)
- (73) Assignee: **FINE DRAGON TECHNOLOGY LIMITED**, Shenzhen (CN)
- (**) Term: **15 Years**
- (21) Appl. No.: **29/736,656**
- (22) Filed: **Jun. 2, 2020**
- (51) **LOC (13) Cl.** **15-05**
- (52) **U.S. Cl.**
USPC **D32/22**
- (58) **Field of Classification Search**
USPC D32/17-25, 31-34
CPC A47L 7/00; A47L 9/02; A47L 5/28; A47L 9/102; A47L 9/1608; A47L 9/1683; A47L 5/30; A47L 9/00; A47L 9/04; A47L 9/0422; A47L 9/0461; A47L 9/06; A47L 9/0488; A47L 11/00; A47L 11/20; A47L 11/22; A47L 11/24; A47L 11/32; A47L 11/302; A47L 11/40; E04H 4/1609; E04H 4/1618; E04H 4/1636
See application file for complete search history.

- D565,814 S * 4/2008 Ågren D32/22
- D565,816 S * 4/2008 Agren D32/22
- D574,563 S * 8/2008 Fjellman D32/22
- D582,111 S * 12/2008 Ågren D32/22
- D597,717 S * 8/2009 Rosenzweig A47L 13/225
D32/45
- D613,469 S * 4/2010 Agren D32/22
- D685,557 S * 7/2013 Rosenzweig D32/45
- D725,854 S * 3/2015 Yoshitomi D32/22
- D742,609 S * 11/2015 Irwin D32/50
- D743,125 S * 11/2015 Lee D32/22
- 9,883,780 B2 * 2/2018 Kim A47L 9/14
- D861,268 S * 9/2019 Meyer D32/22
- D872,396 S * 1/2020 Miyawaki D32/22
- D875,335 S * 2/2020 Sagkob D32/22

(Continued)

Primary Examiner — Kimberly Barnes

- (56) **References Cited**
U.S. PATENT DOCUMENTS
- D280,033 S * 8/1985 Miyamoto D32/18
- D290,894 S * 7/1987 Miyamoto D32/18
- D303,173 S * 8/1989 Miyamoto D32/22
- D313,879 S * 1/1991 Ito D32/22
- D398,099 S * 9/1998 Leung D32/22
- D428,226 S * 7/2000 Kunkler D32/45
- D477,701 S * 7/2003 Kunkler D32/45
- 7,048,458 B2 * 5/2006 Hall A47L 13/22
222/518
- D548,910 S * 8/2007 Murray D32/45

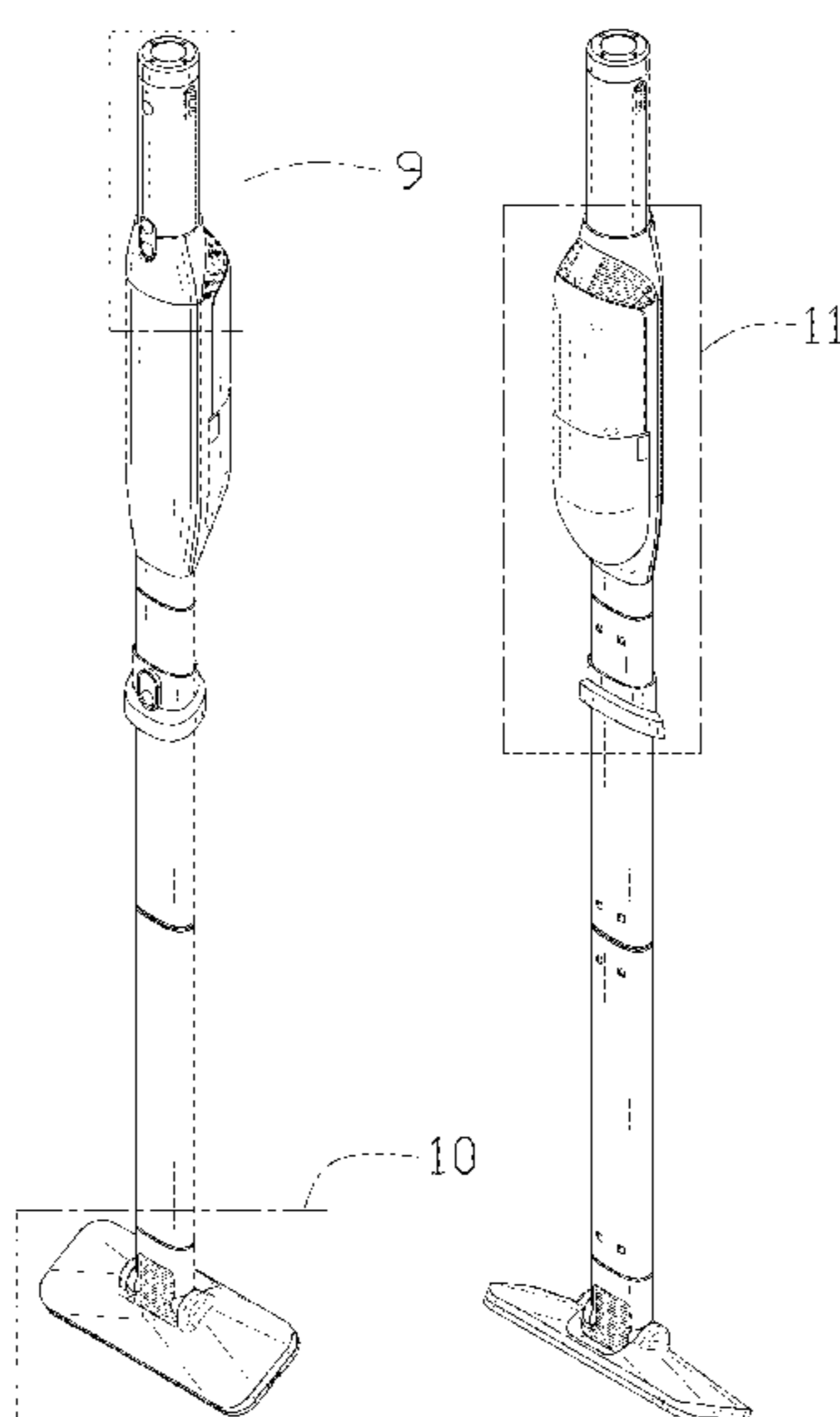
(57) **CLAIM**

The ornamental design for a handheld vacuum cleaner, as shown and described.

DESCRIPTION

FIG. 1 is a top, front and right side perspective view of a handheld vacuum cleaner showing my new design;
 FIG. 2 is a top, rear and left side perspective view thereof;
 FIG. 3 is a front elevational view thereof;
 FIG. 4 is a rear elevational view thereof;
 FIG. 5 is a left side view thereof;
 FIG. 6 is a right side view thereof;
 FIG. 7 is a top plan view thereof;
 FIG. 8 is a bottom plan view thereof;
 FIG. 9 is an enlarged view of portion 9 in FIG. 1;
 FIG. 10 is an enlarged view of portion 10 in FIG. 1; and,
 FIG. 11 is an enlarged view of portion 11 in FIG. 2.
 The broken lines in the drawings illustrate portions of the handheld vacuum cleaner that form no part of the claimed design.

1 Claim, 11 Drawing Sheets



(56)

References Cited

U.S. PATENT DOCUMENTS

D901,795 S * 11/2020 Rummel D32/15
2011/0088209 A1* 4/2011 Ivarsson A47L 9/0686
15/393
2020/0154964 A1* 5/2020 Schaller A47L 5/24

* cited by examiner

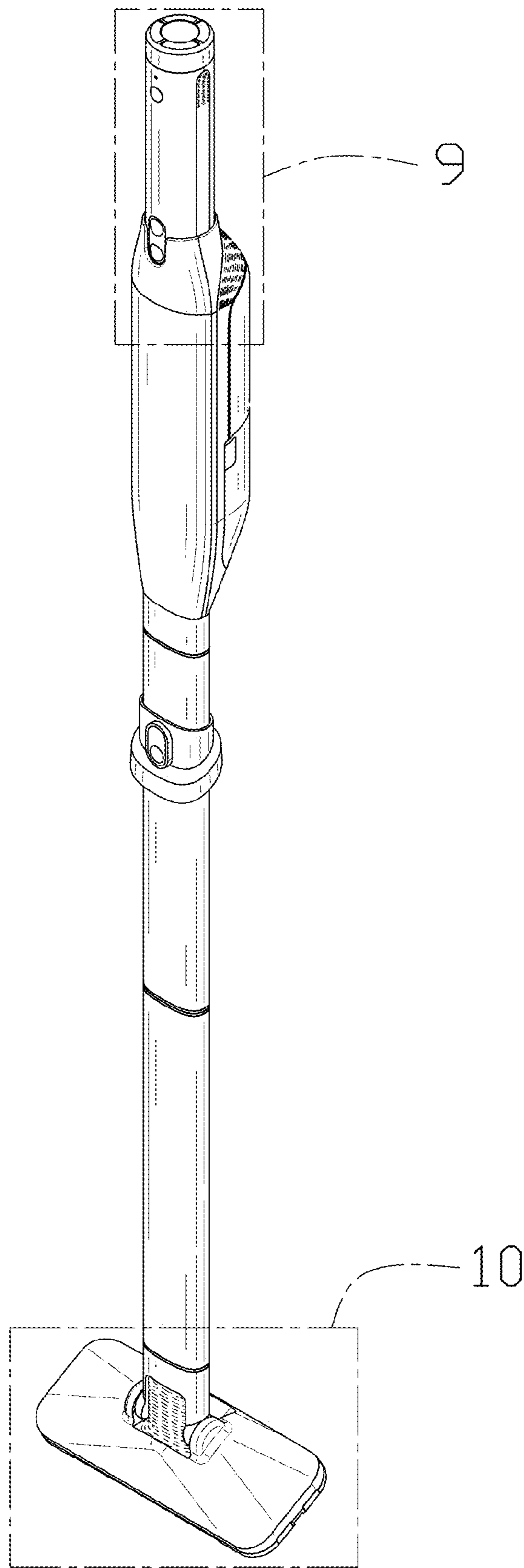


FIG. 1

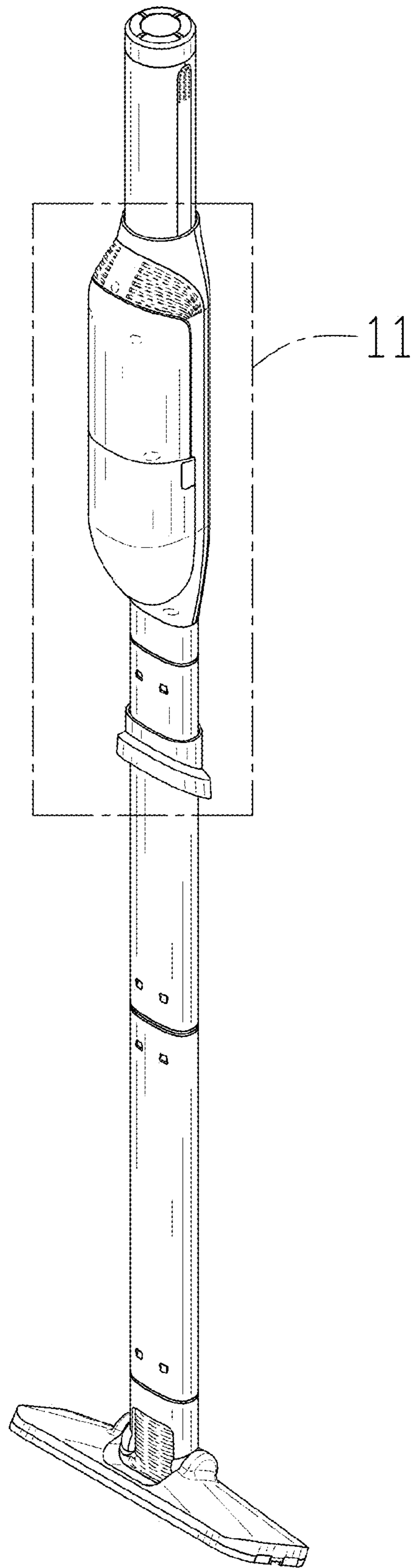


FIG. 2

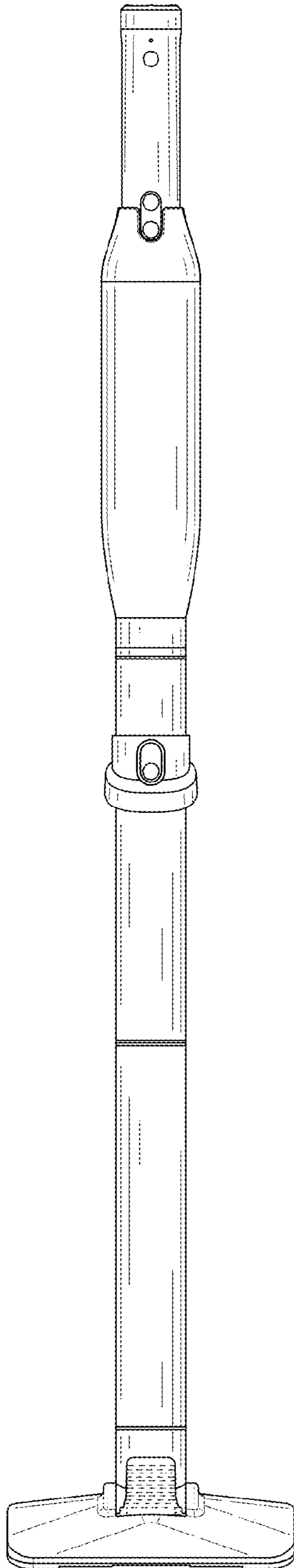


FIG. 3

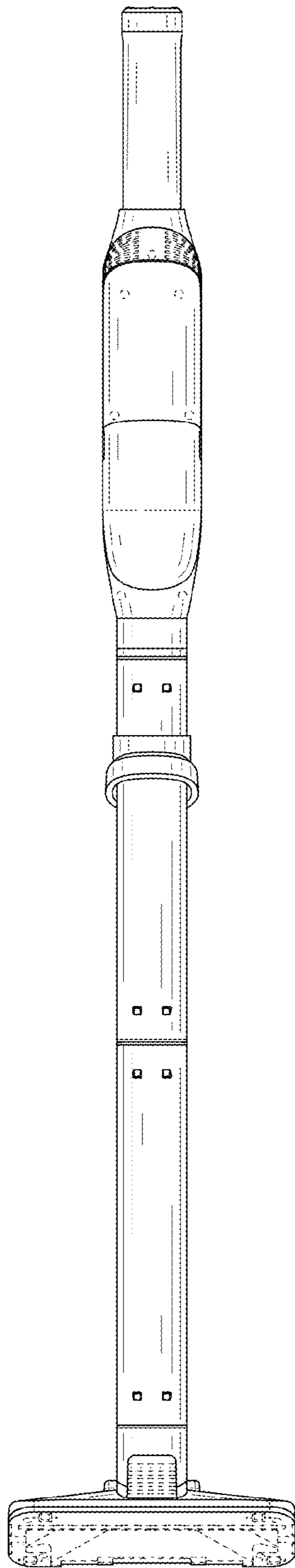


FIG. 4

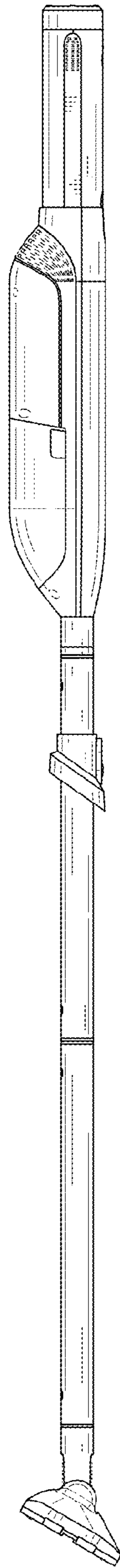


FIG. 5

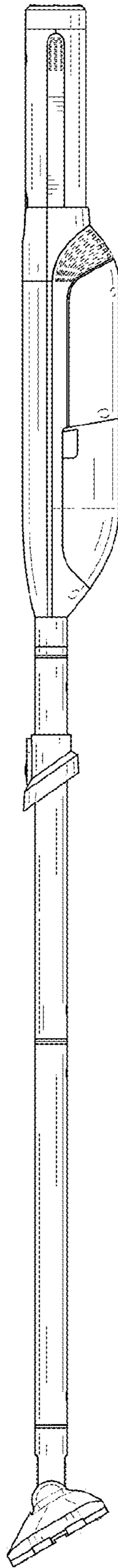


FIG. 6

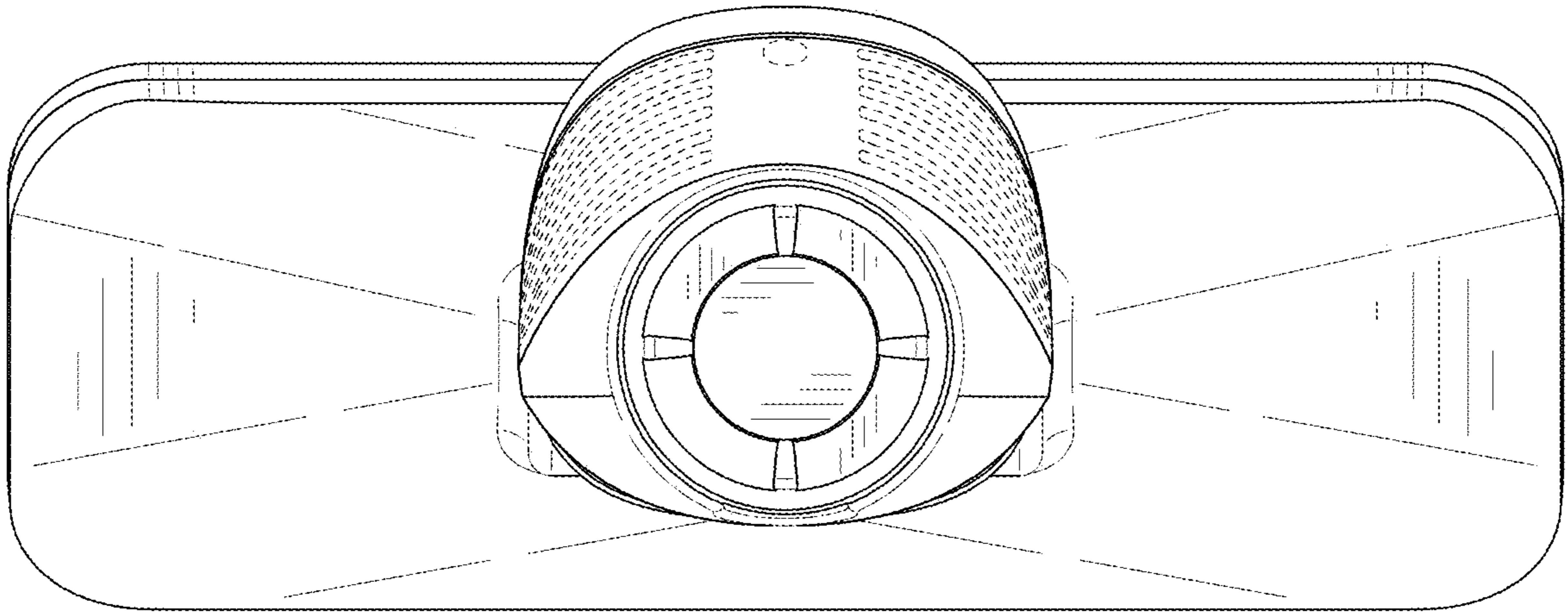


FIG. 7

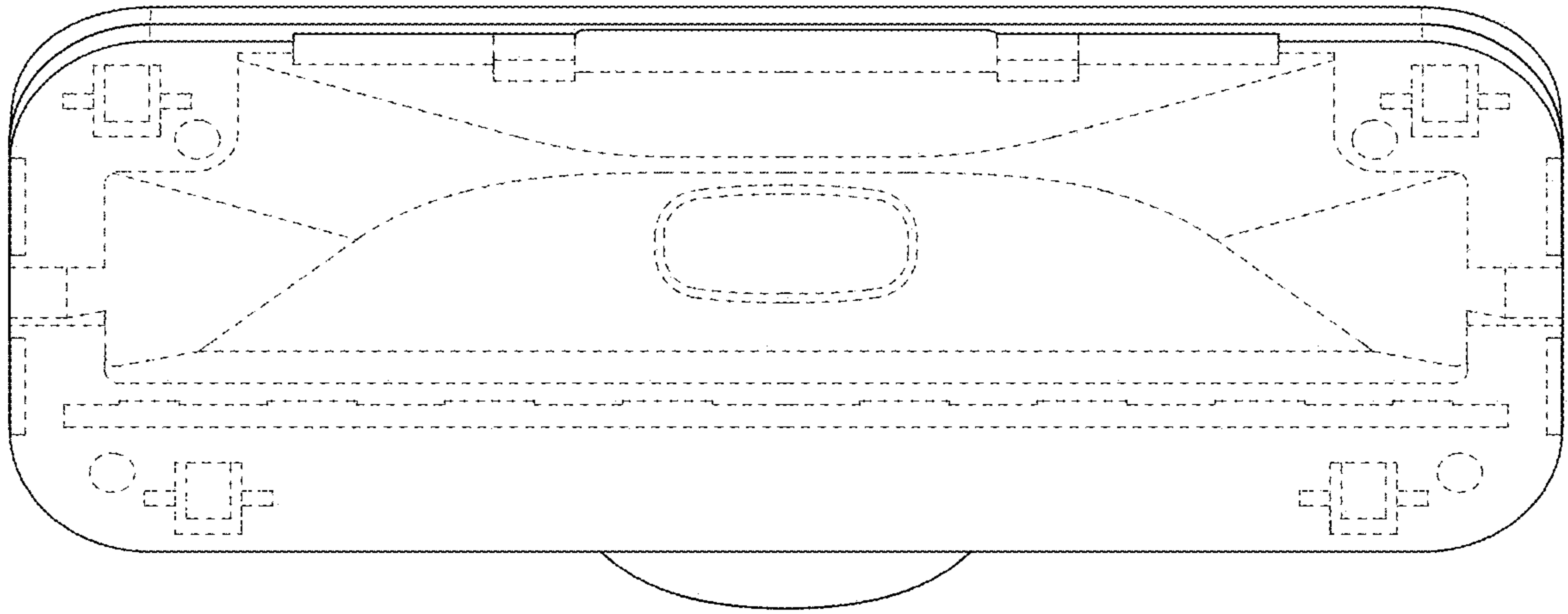


FIG. 8

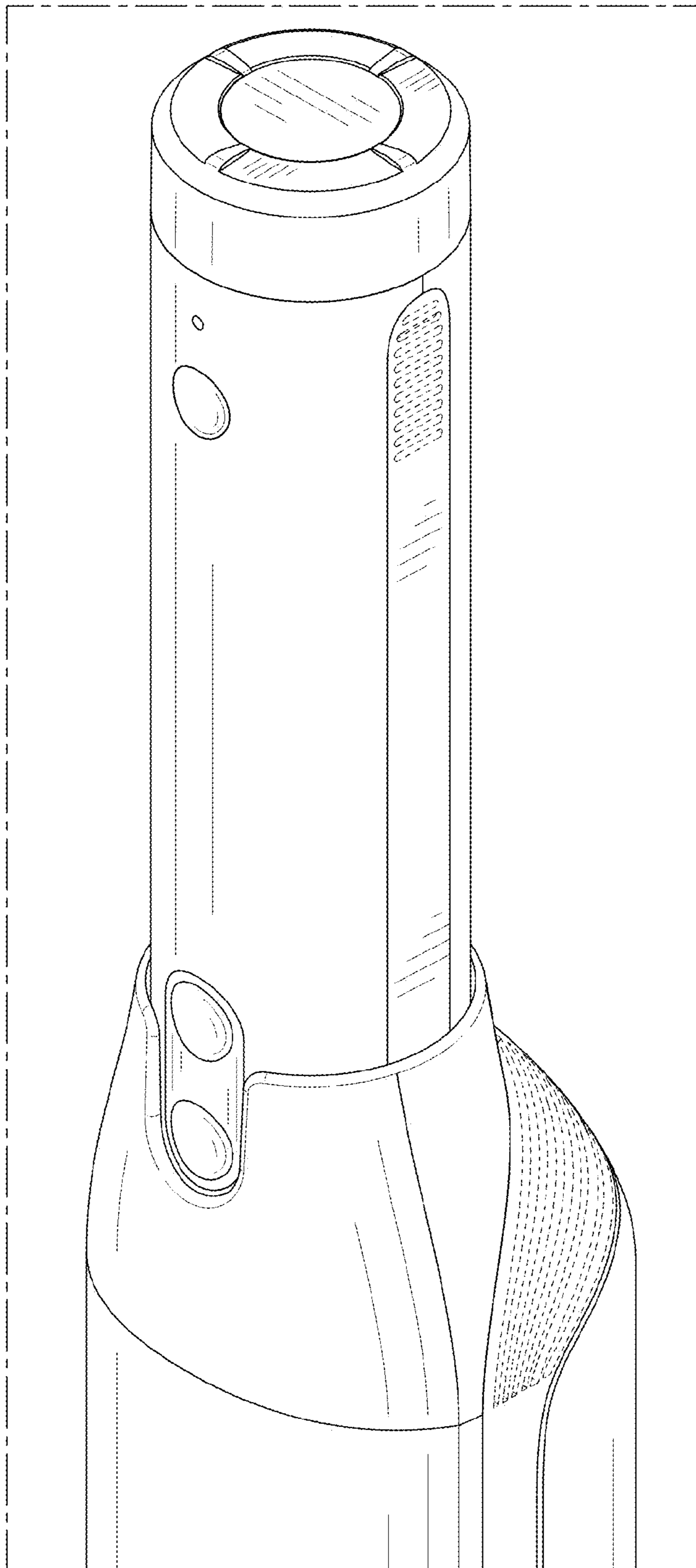


FIG. 9

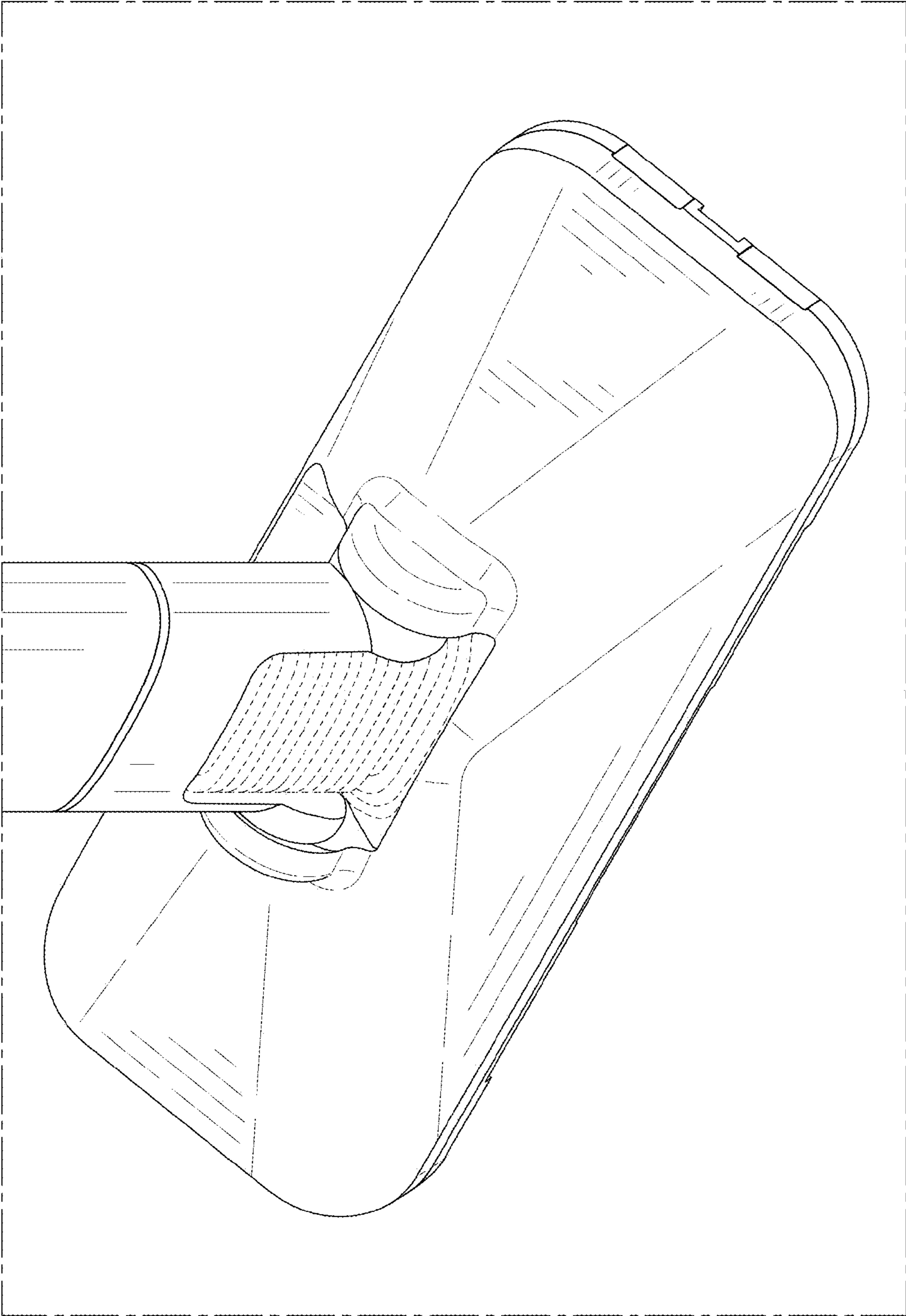


FIG. 10

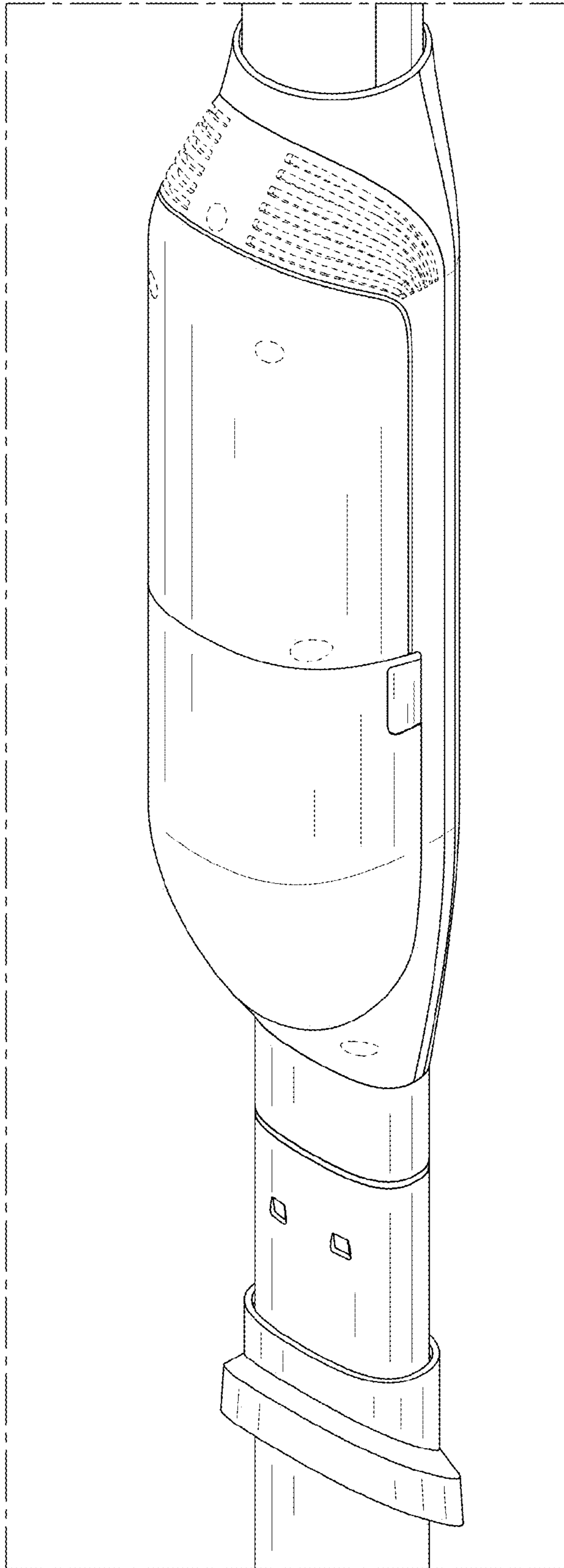


FIG. 11