



US00D948816S

(12) **United States Design Patent**  
**Jin**

(10) **Patent No.:** **US D948,816 S**  
(45) **Date of Patent:** **\*\* Apr. 12, 2022**

(54) **ELECTRONIC DOG-TRAINING COLLAR**

(71) Applicant: **Shenzhen DJ Innovation Industry Co., Ltd, Shenzhen (CN)**

(72) Inventor: **Bo Jin, Shenzhen (CN)**

(\*\*) Term: **15 Years**

(21) Appl. No.: **29/751,868**

(22) Filed: **Sep. 23, 2020**

(30) **Foreign Application Priority Data**

Aug. 4, 2020 (CN) ..... 202030436963.2

(51) **LOC (13) Cl.** ..... **30-99**

(52) **U.S. Cl.**  
USPC ..... **D30/199; D10/104.1**

(58) **Field of Classification Search**  
USPC ..... D30/144, 151, 152, 153, 155, 156, 199;  
D10/104.1, 104.2, 105, 116.1; D14/137;  
119/712, 714, 716, 717, 718, 719, 720,  
119/722  
CPC ..... A01K 15/02; A01K 15/022  
See application file for complete search history.

(56) **References Cited**

**U.S. PATENT DOCUMENTS**

D410,206 S \* 5/1999 Slater ..... D10/104.1  
D478,831 S \* 8/2003 So ..... D10/104.1  
D520,894 S \* 5/2006 Zakharyan ..... D30/199  
D526,590 S \* 8/2006 So ..... D30/199  
D553,037 S \* 10/2007 Zakharyan ..... D30/152

D555,298 S \* 11/2007 Garon ..... D30/152  
D637,365 S \* 5/2011 Li ..... D30/155  
D788,999 S \* 6/2017 Zinn ..... D30/199  
D835,364 S \* 12/2018 Lee ..... D30/199  
D846,817 S \* 4/2019 Li ..... D30/152  
D853,666 S \* 7/2019 Ni ..... D30/199  
D858,904 S \* 9/2019 Zinn ..... D30/152  
D898,613 S \* 10/2020 Stapleton ..... D11/216  
D899,012 S \* 10/2020 Zinn ..... D30/152  
D919,201 S \* 5/2021 Wang ..... D30/199  
D925,141 S \* 7/2021 Lai ..... D30/199  
D929,051 S \* 8/2021 Li ..... D30/199

\* cited by examiner

*Primary Examiner* — W. A. Teddy Falloway  
*Assistant Examiner* — Katrina N Gonzalez

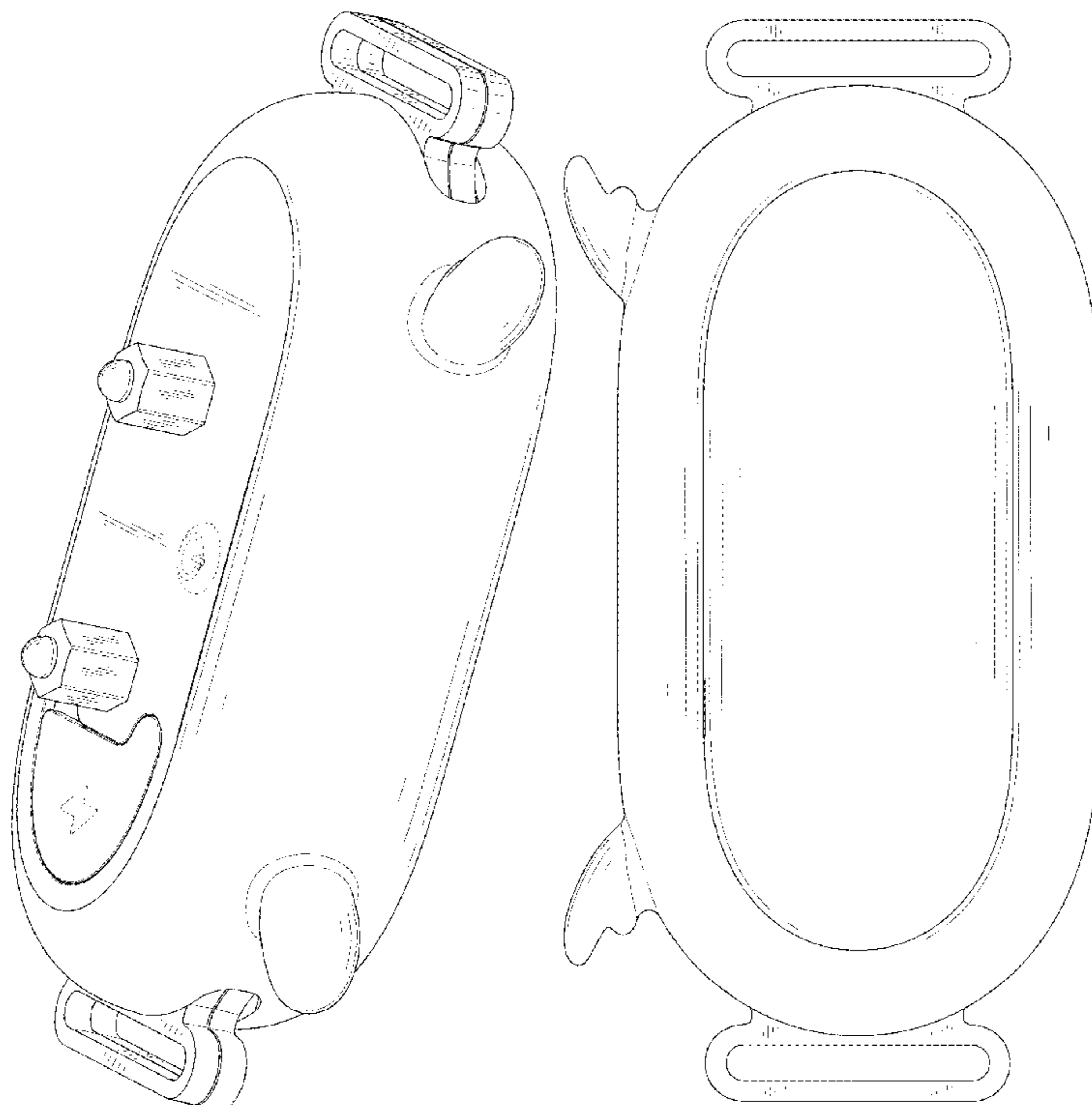
(57) **CLAIM**

The ornamental design for an electronic dog-training collar, as shown and described.

**DESCRIPTION**

FIG. 1 is a first perspective view of an electronic dog-training collar showing my new design;  
FIG. 2 is a second perspective view thereof;  
FIG. 3 is a front view thereof;  
FIG. 4 is a back view thereof;  
FIG. 5 is a left side view thereof;  
FIG. 6 is a right side view thereof;  
FIG. 7 is a top view thereof; and,  
FIG. 8 is a bottom view thereof.  
The broken lines shown in the drawings depict portions of the electronic dog-training collar in which the design is embodied that form no part of the claimed design.

**1 Claim, 8 Drawing Sheets**



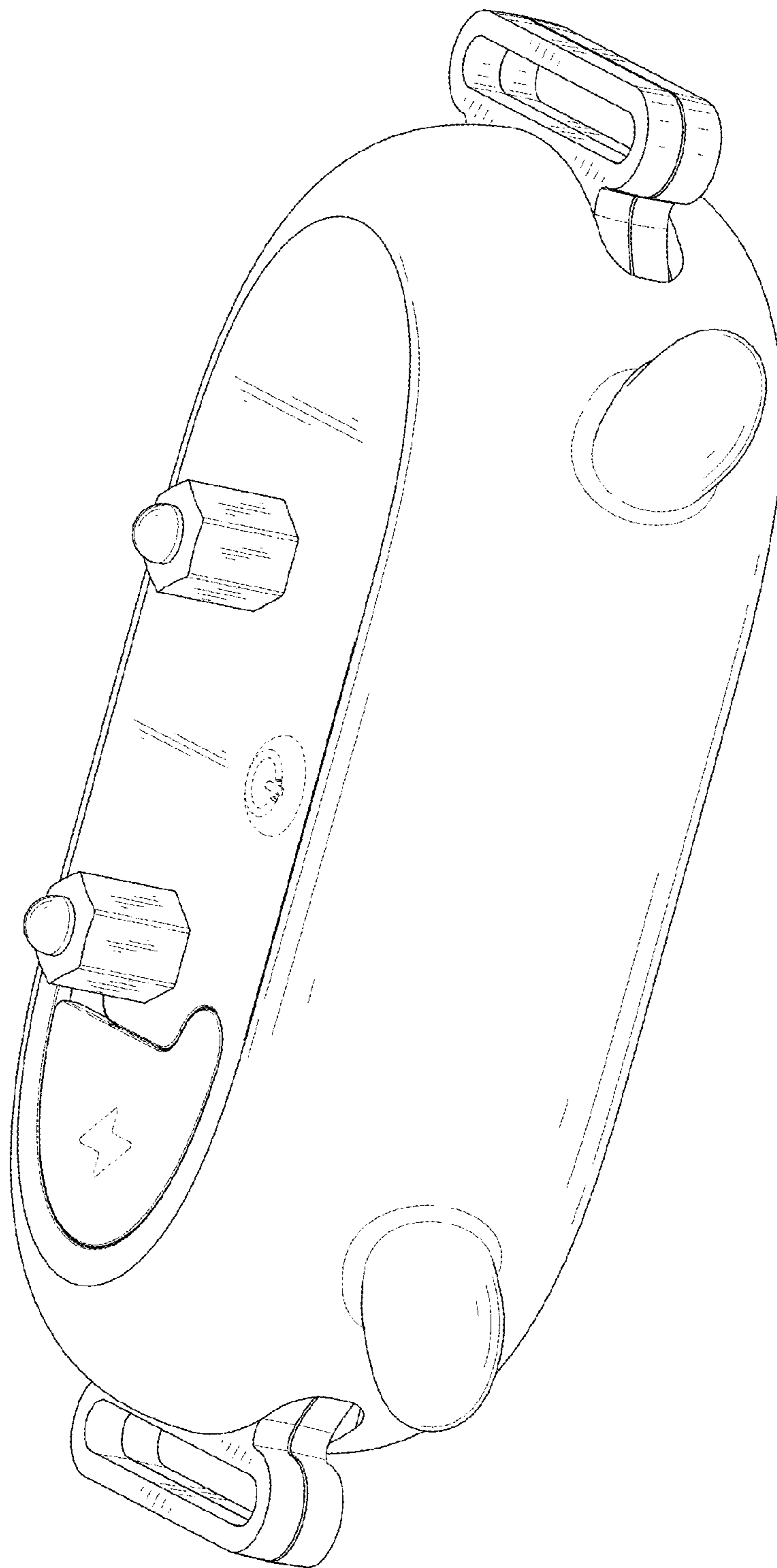


FIG. 1

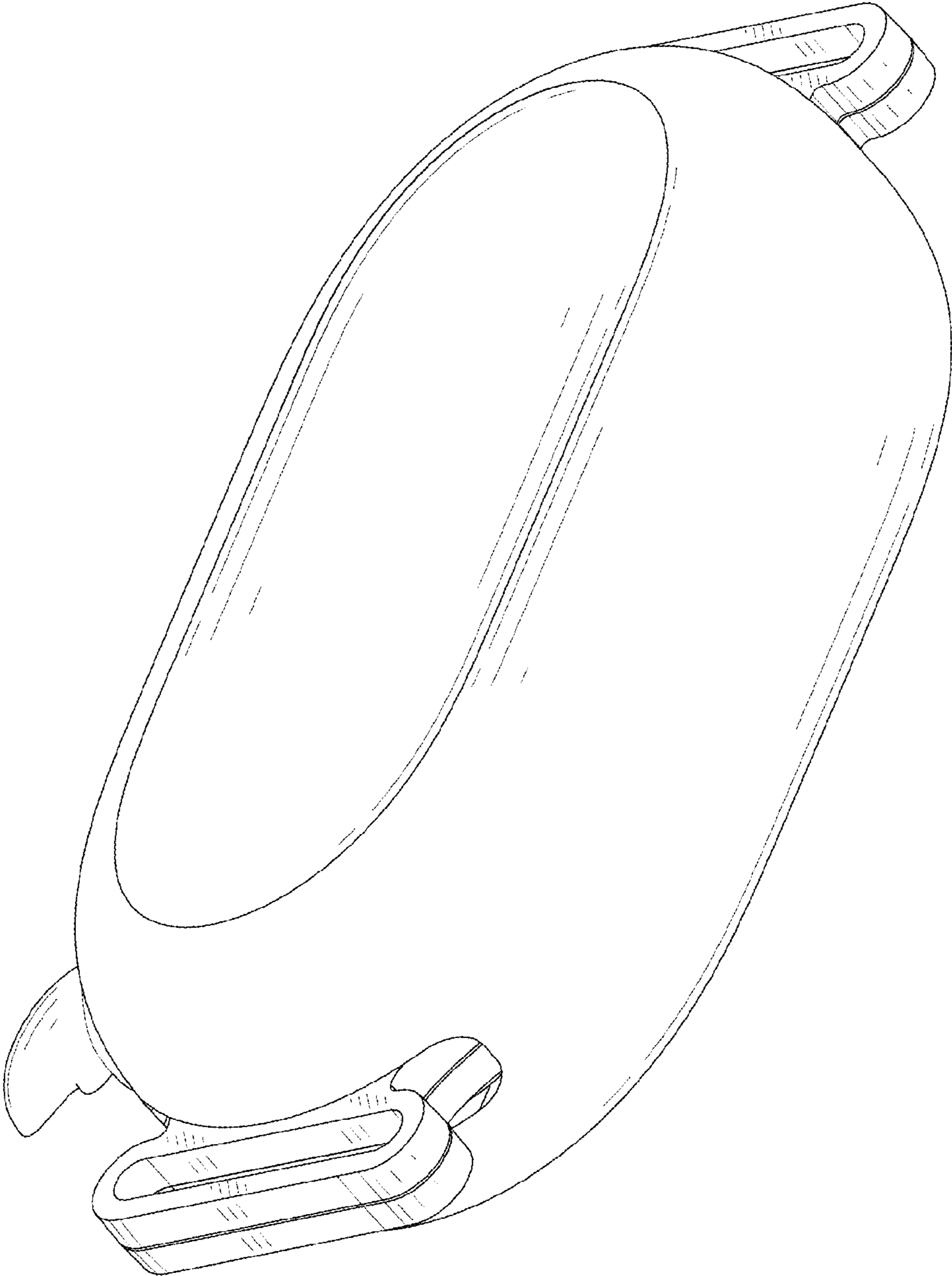


FIG. 2

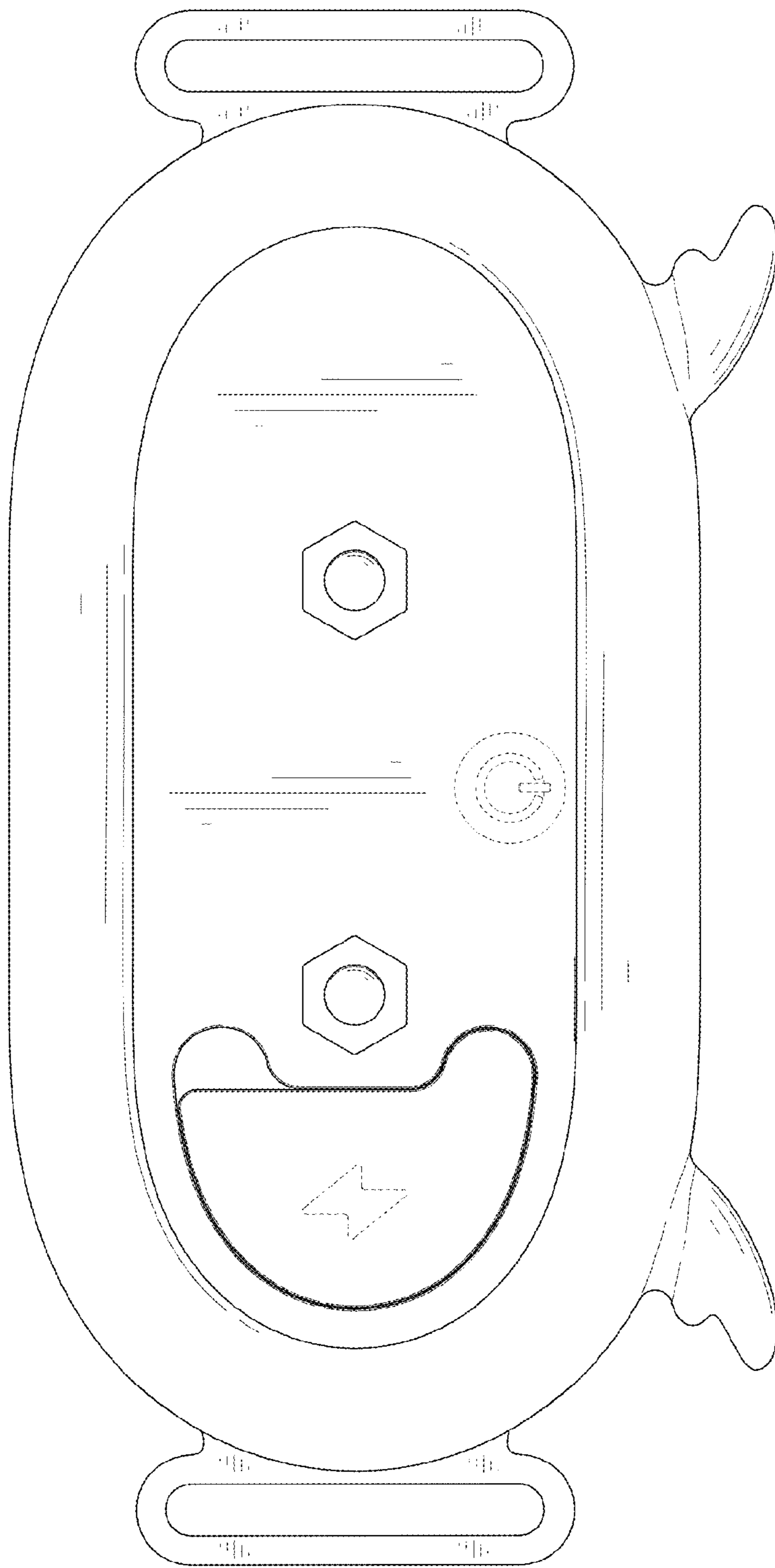


FIG. 3

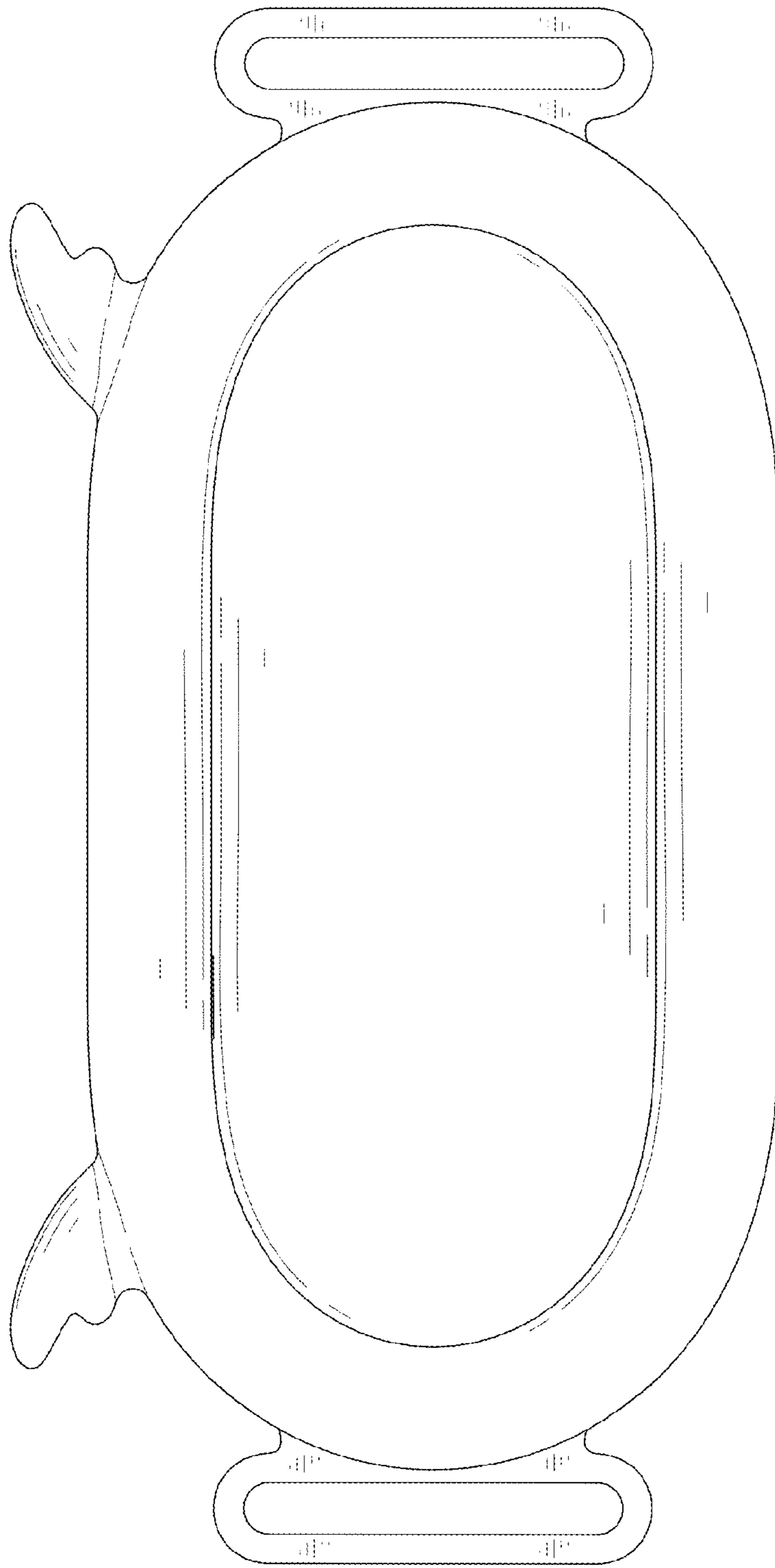


FIG. 4

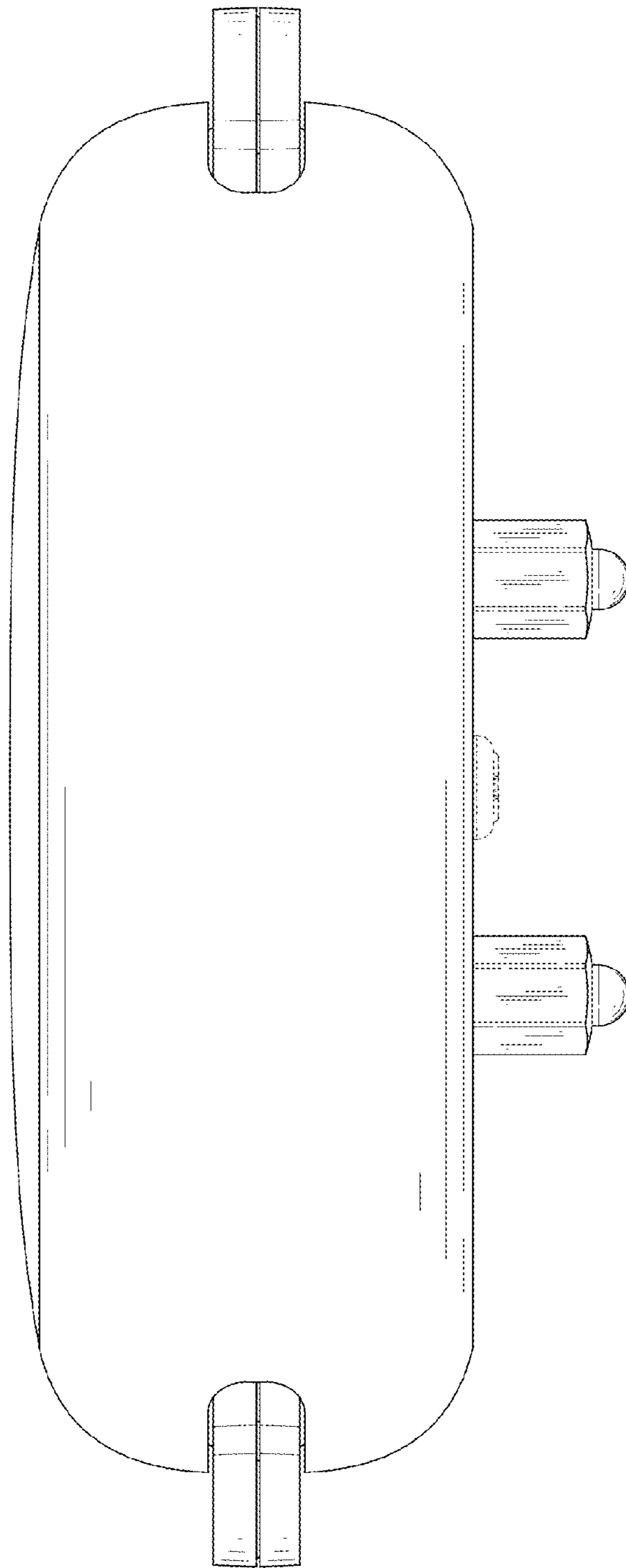


FIG. 5

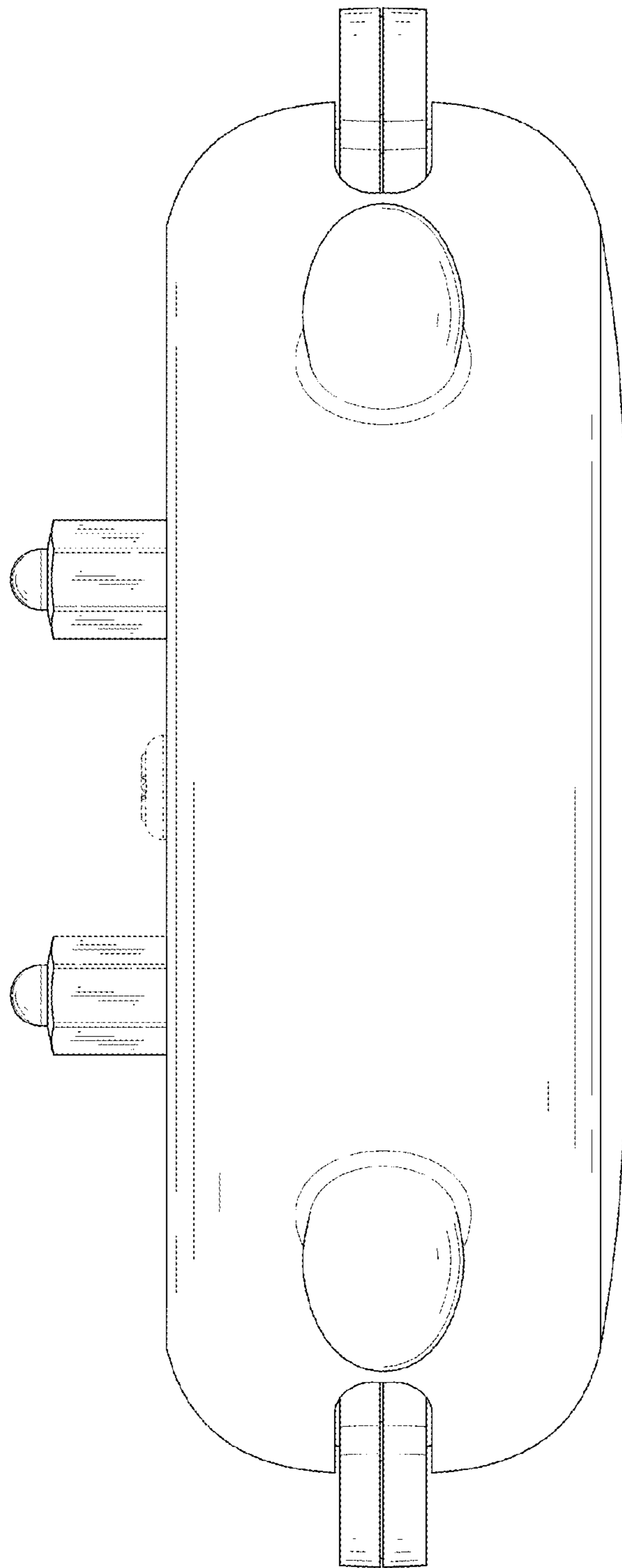


FIG. 6

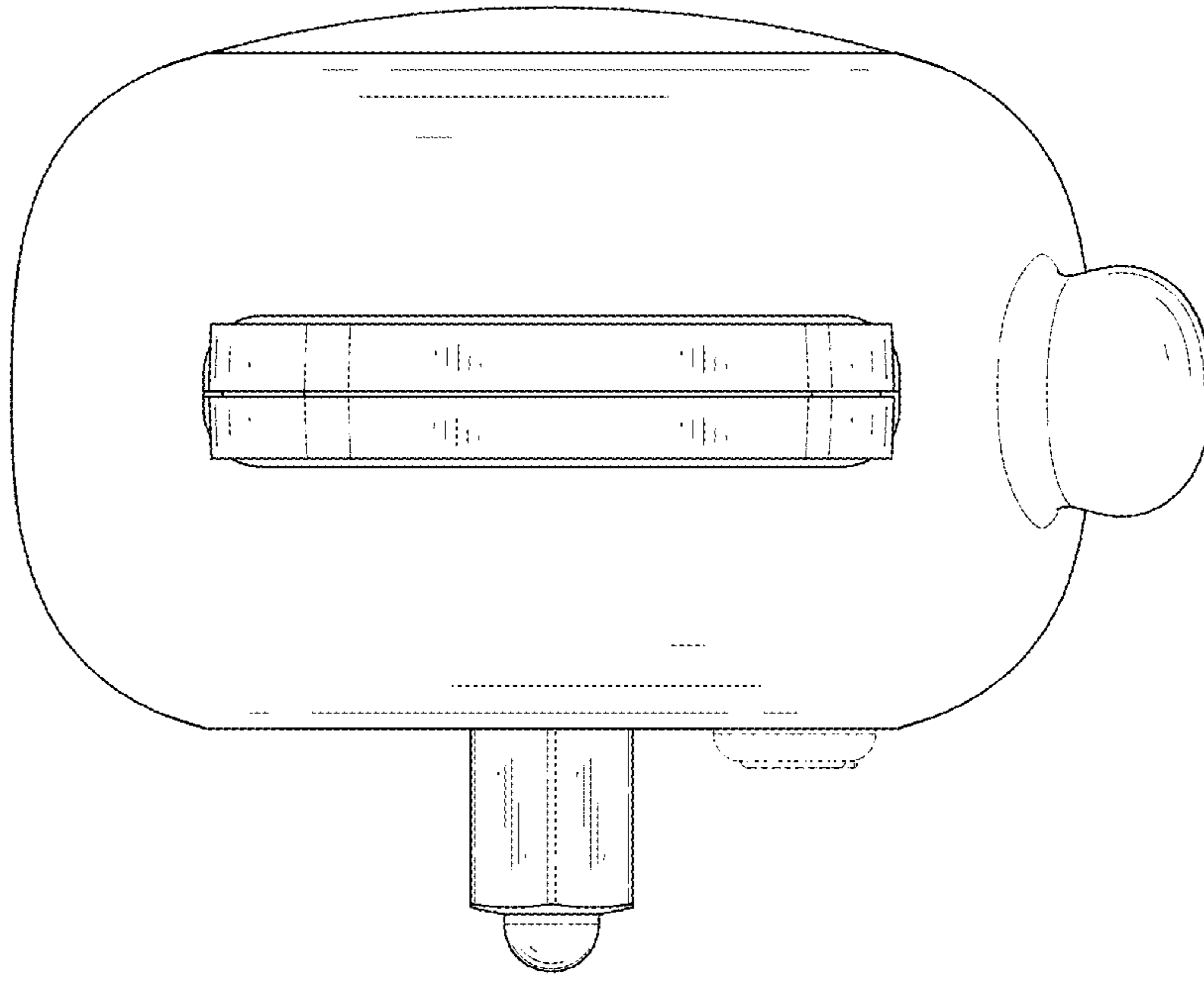


FIG. 7



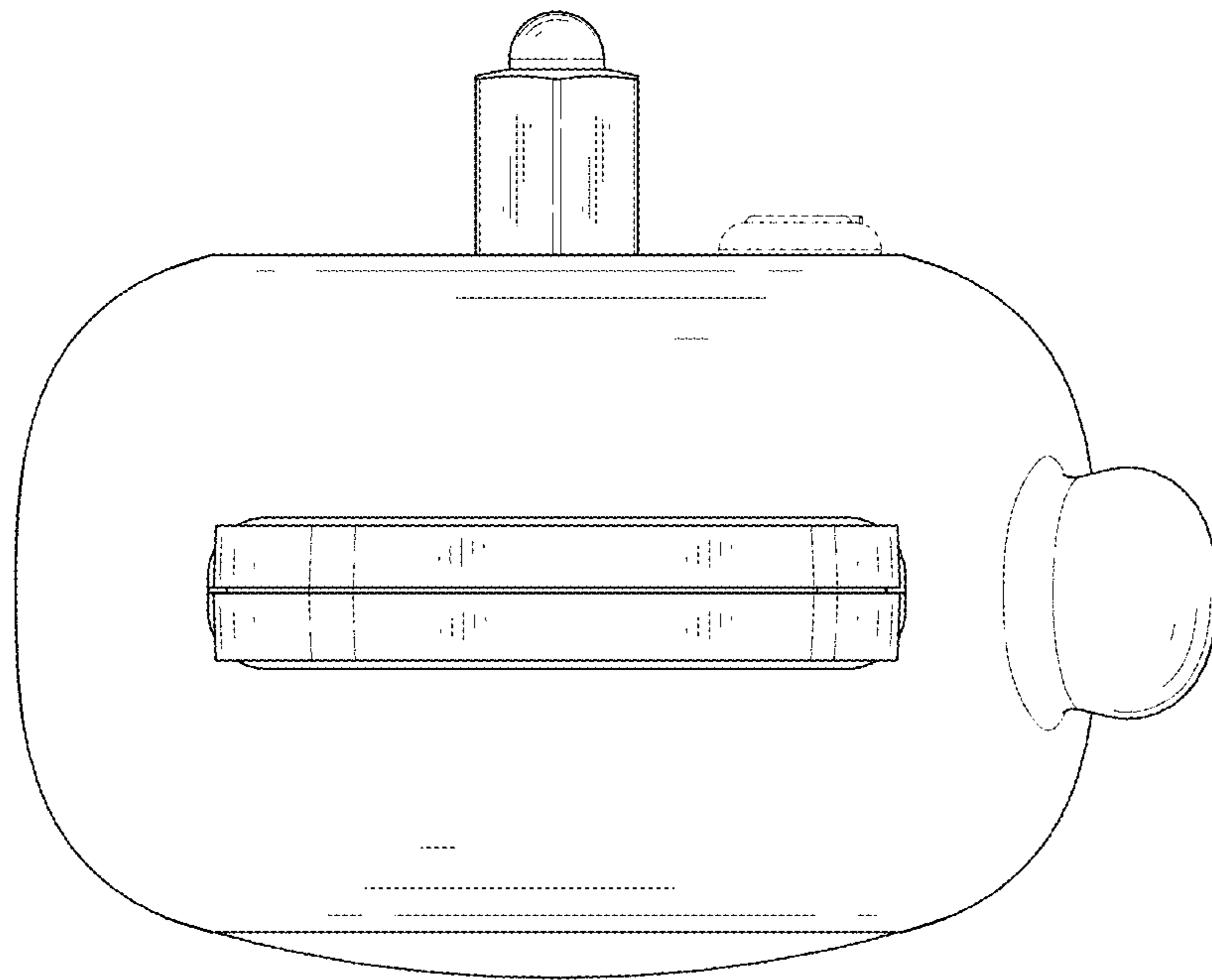


FIG. 8