



US00D948814S

(12) **United States Design Patent**
Jin

(10) **Patent No.:** **US D948,814 S**

(45) **Date of Patent:** **** Apr. 12, 2022**

(54) **ELECTRONIC DOG-TRAINING COLLAR**

(71) Applicant: **Shenzhen DJ Innovation Industry Co., Ltd, Shenzhen (CN)**

(72) Inventor: **Bo Jin, Shenzhen (CN)**

(**) Term: **15 Years**

(21) Appl. No.: **29/751,864**

(22) Filed: **Sep. 23, 2020**

(51) **LOC (13) Cl.** **30-99**

(52) **U.S. Cl.**
USPC **D30/199; D10/104.1**

(58) **Field of Classification Search**
USPC D30/144, 151, 152, 153, 155, 156, 199;
D10/104.1, 104.2, 105, 116.1; D14/137;
119/712, 714, 716, 717, 718, 719, 720,
119/722
CPC A01K 15/02; A01K 15/022
See application file for complete search history.

(56) **References Cited**

U.S. PATENT DOCUMENTS

D410,206 S	*	5/1999	Slater	D10/104.1
D520,894 S	*	5/2006	Zakharyan	D30/199
D555,298 S	*	11/2007	Garon	D30/152
D637,365 S	*	5/2011	Li	D30/155

D835,364 S	*	12/2018	Lee	D30/199
D853,666 S	*	7/2019	Ni	D30/199
D858,904 S	*	9/2019	Zinn	D30/152
D884,994 S	*	5/2020	Ni	D30/199
D888,353 S	*	6/2020	Lan	D30/199
D895,908 S	*	9/2020	Yan	D30/152
D898,613 S	*	10/2020	Stapleton	D11/216
D925,141 S	*	7/2021	Lai	D30/199
D929,051 S	*	8/2021	Li	D30/199

* cited by examiner

Primary Examiner — W. A. Teddy Falloway

Assistant Examiner — Katrina N Gonzalez

(57) **CLAIM**

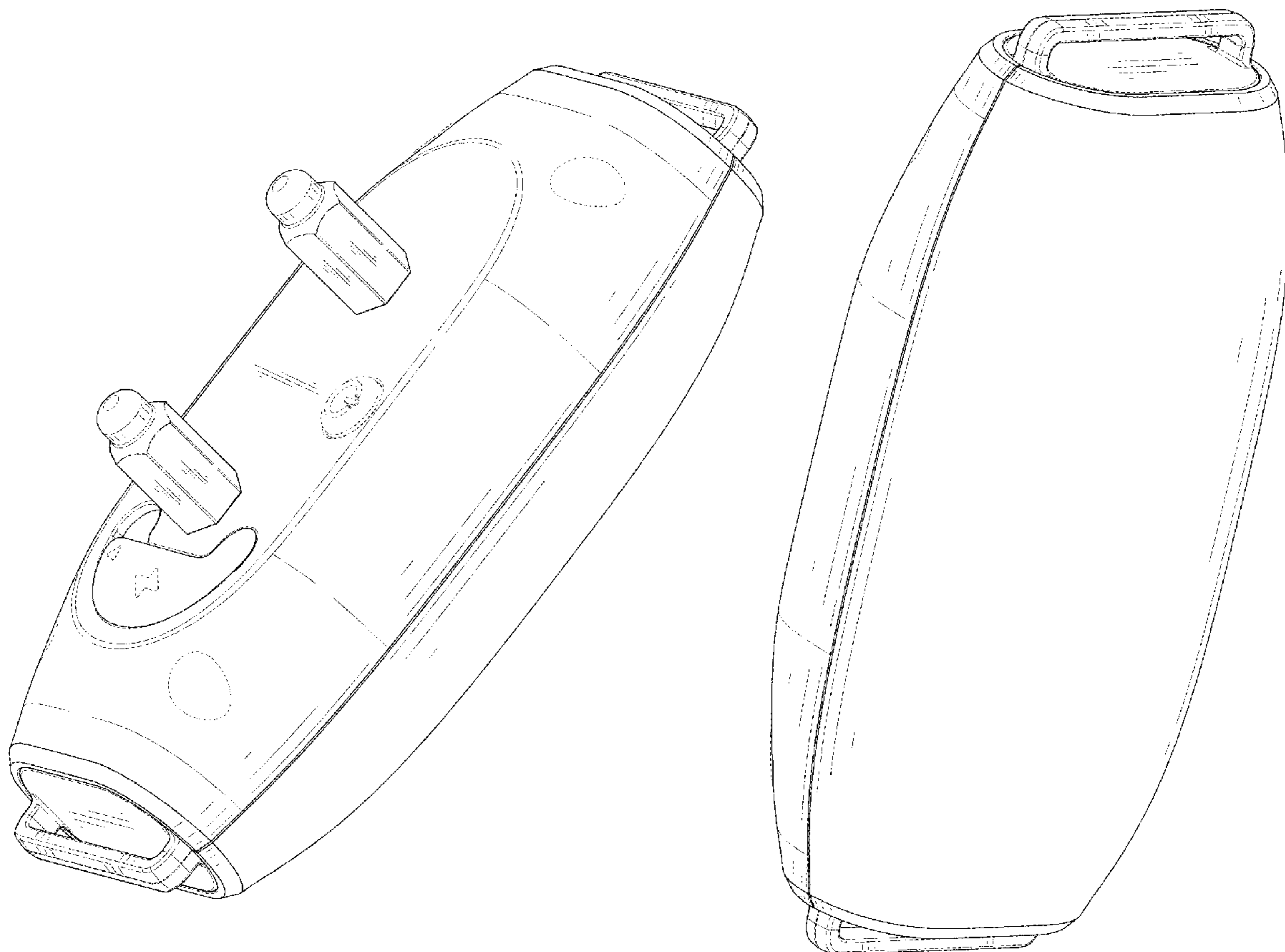
The ornamental design for an electronic dog-training collar, as shown and described.

DESCRIPTION

FIG. 1 is a first perspective view of an electronic dog-training collar showing my new design; FIG. 2 is a second perspective view thereof; FIG. 3 is a front view thereof; FIG. 4 is a back view thereof; FIG. 5 is a left side view thereof; FIG. 6 is a right side view thereof; FIG. 7 is a top view thereof; and, FIG. 8 is a bottom view thereof.

The broken lines shown in the drawings depict portions of the electronic dog-training collar in which the design is embodied that form no part of the claimed design.

1 Claim, 8 Drawing Sheets



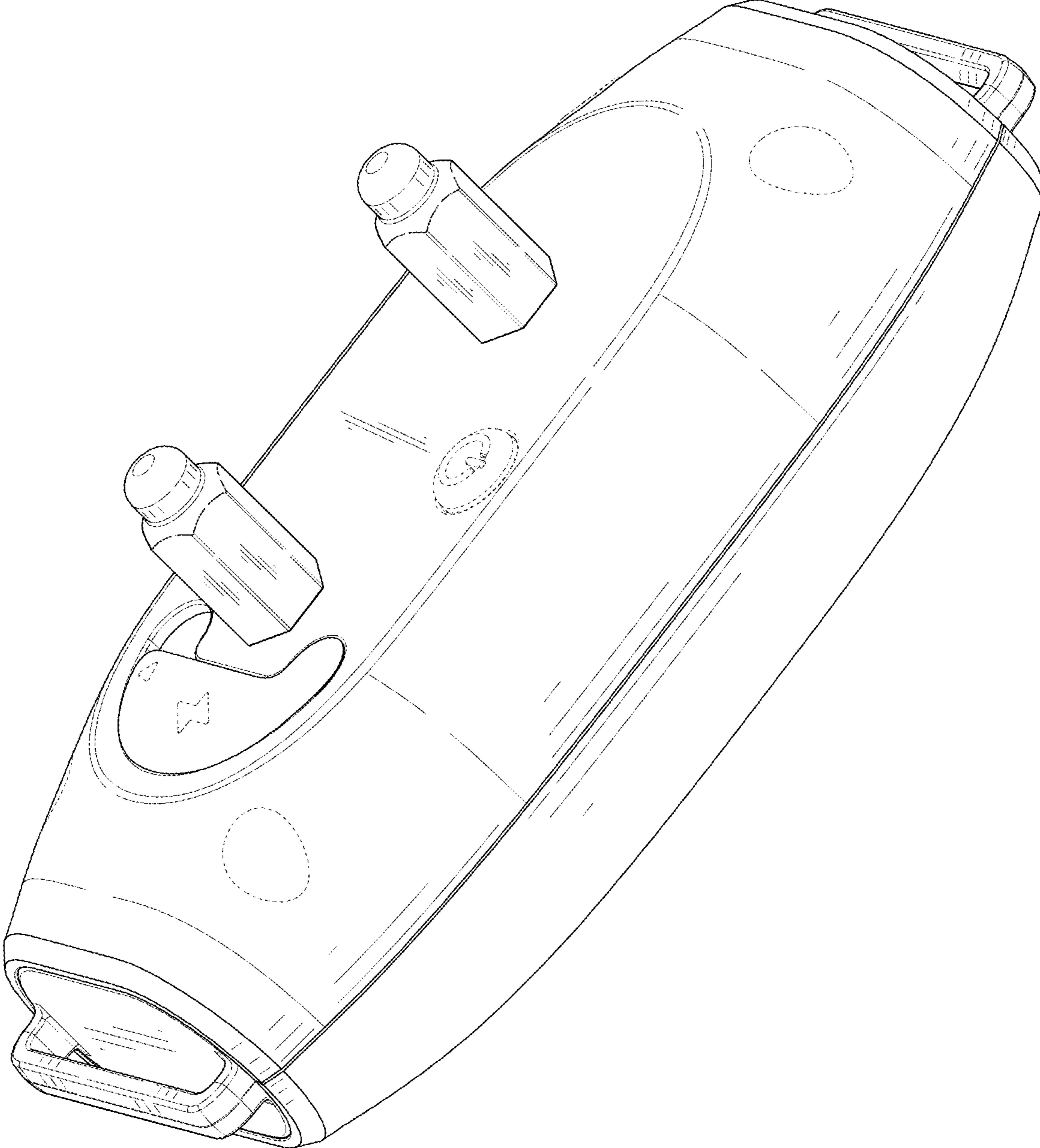


FIG. 1

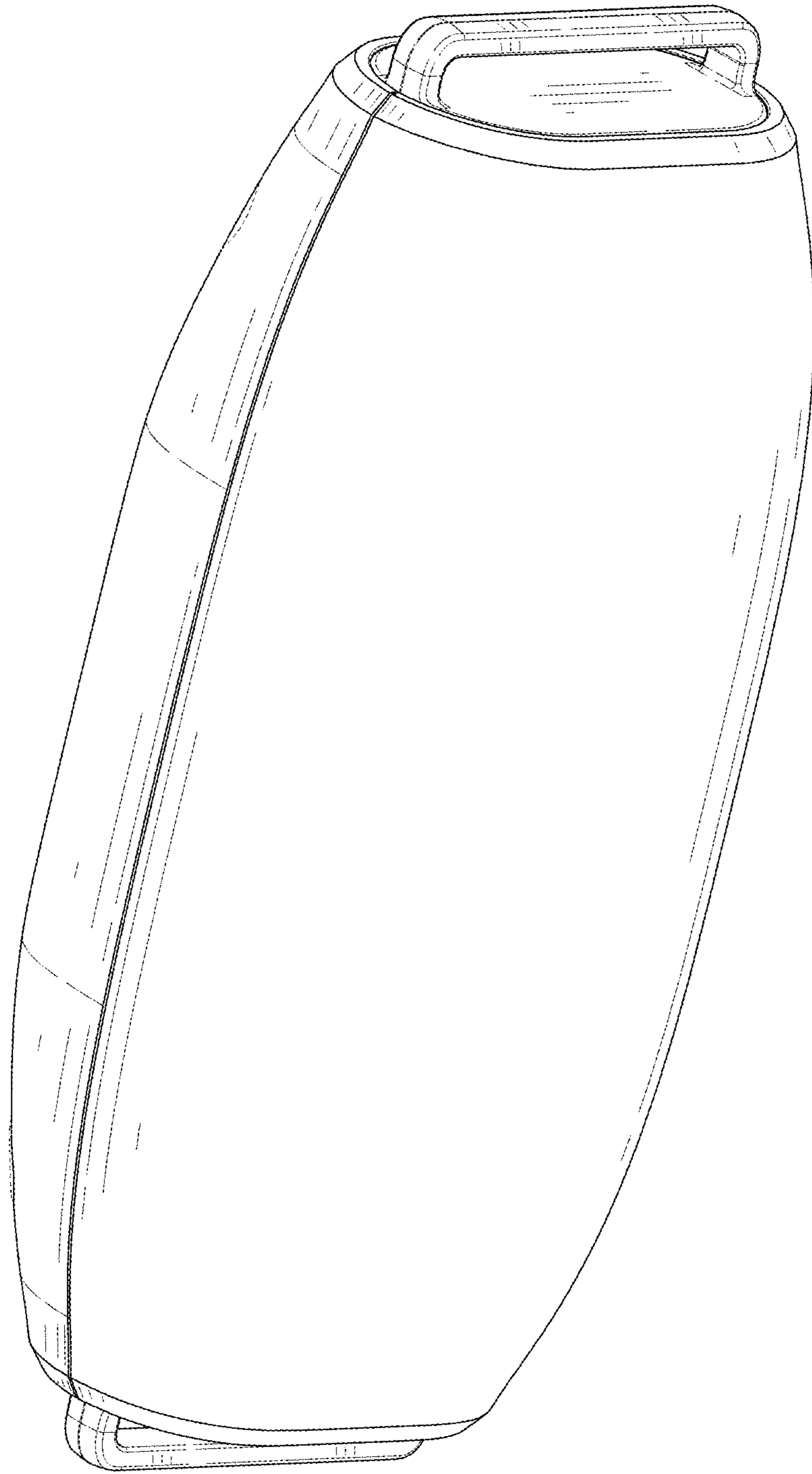


FIG. 2

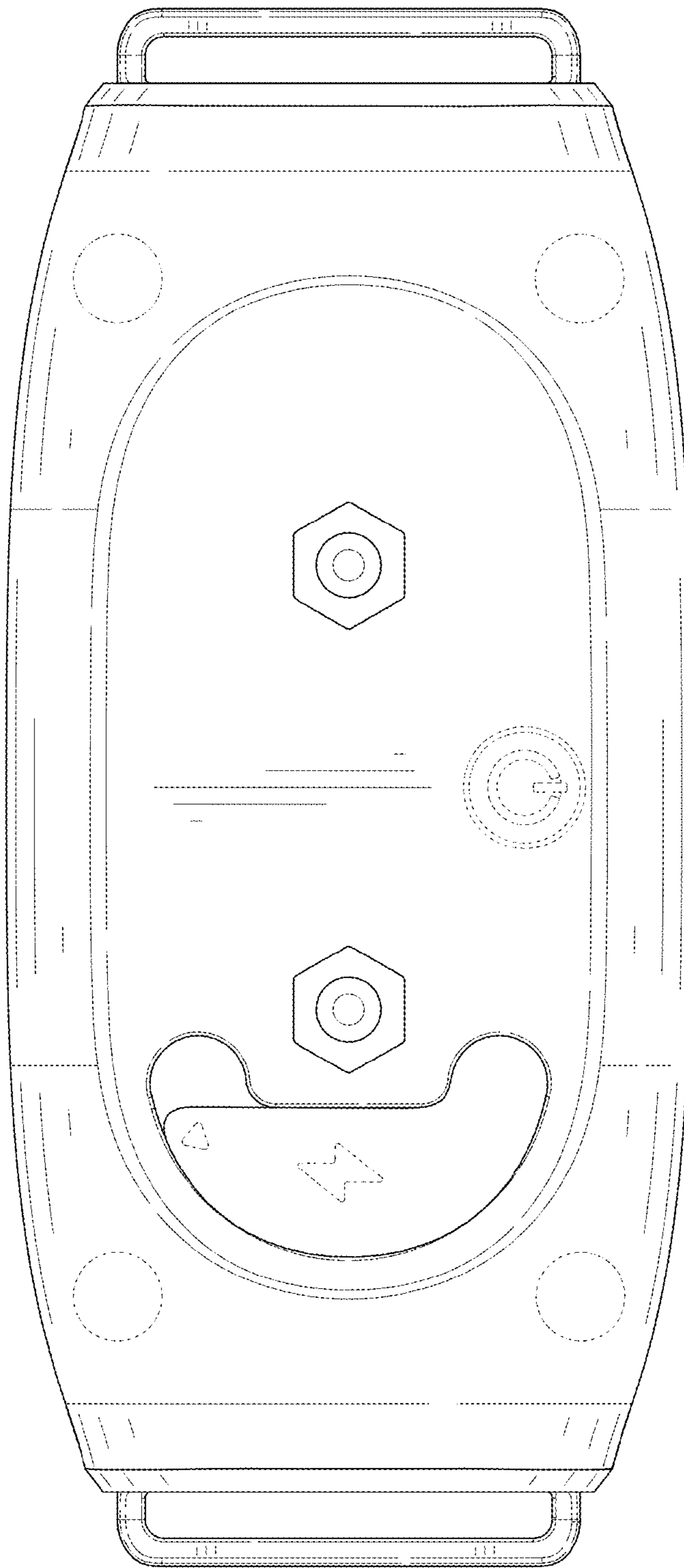


FIG. 3

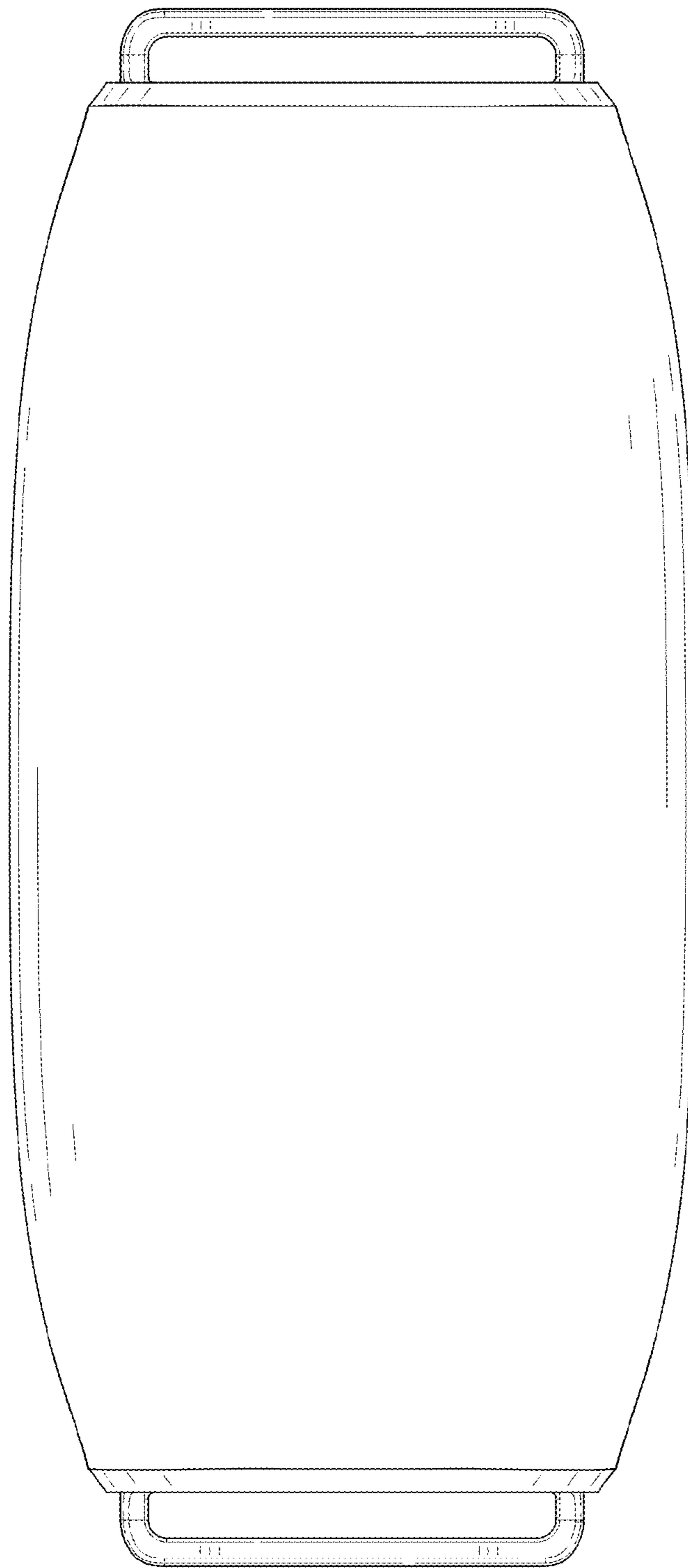


FIG. 4

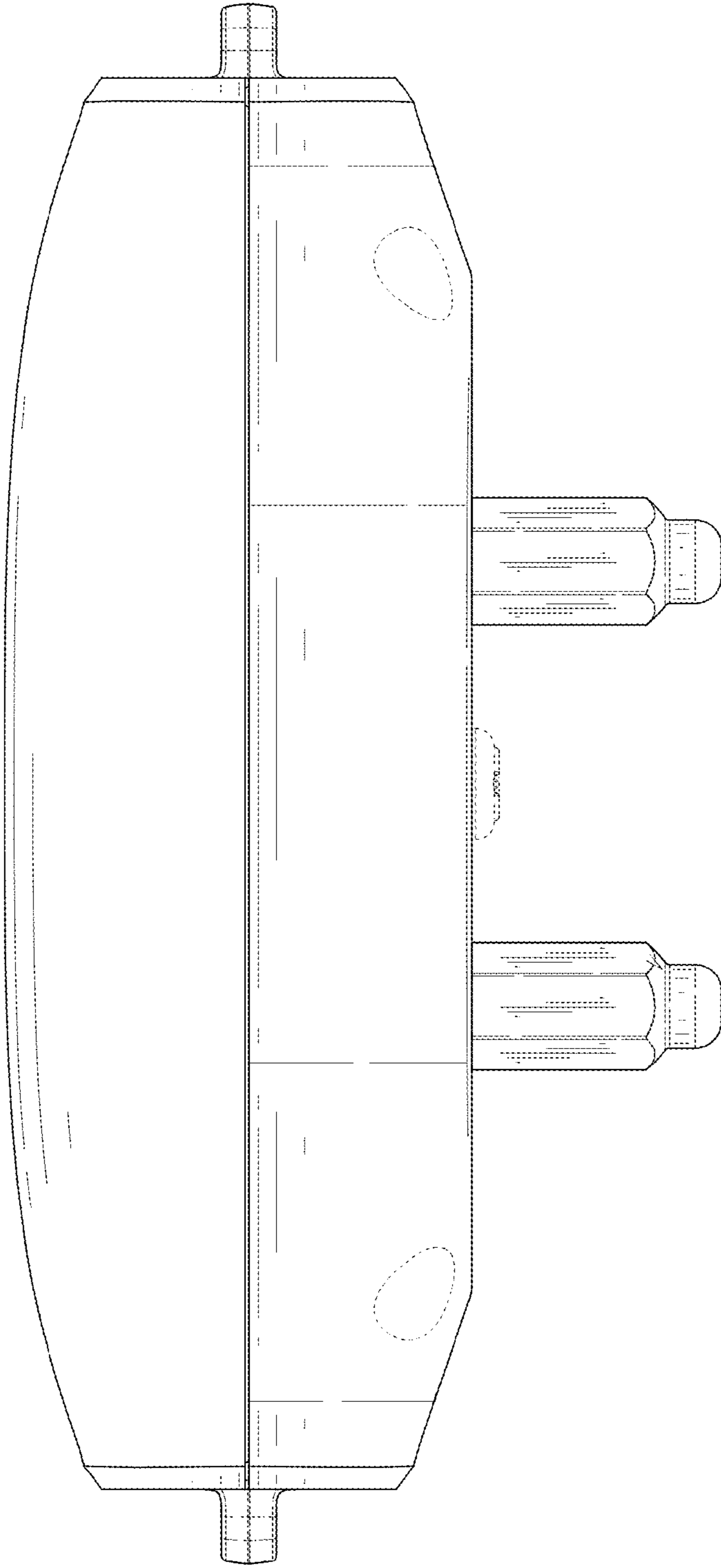


FIG. 5

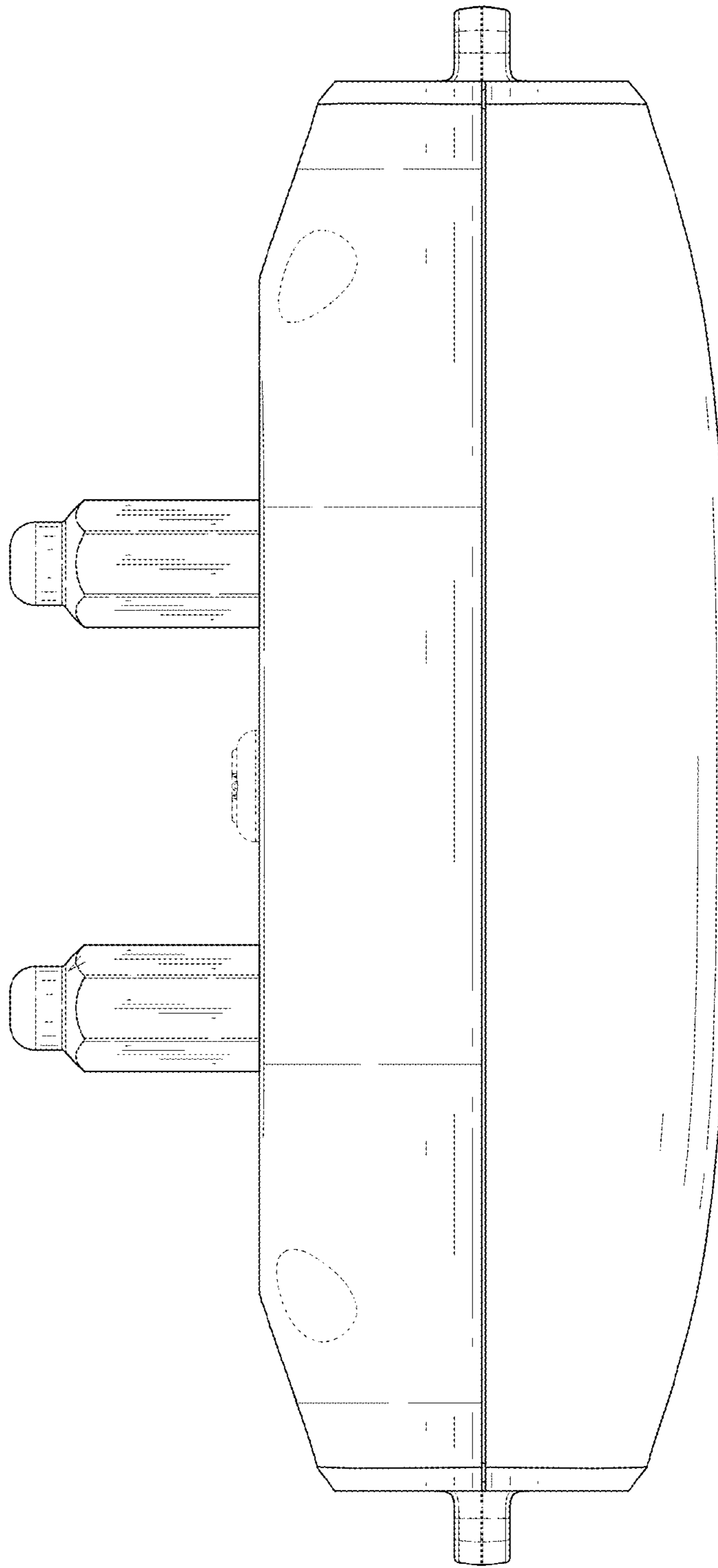


FIG. 6

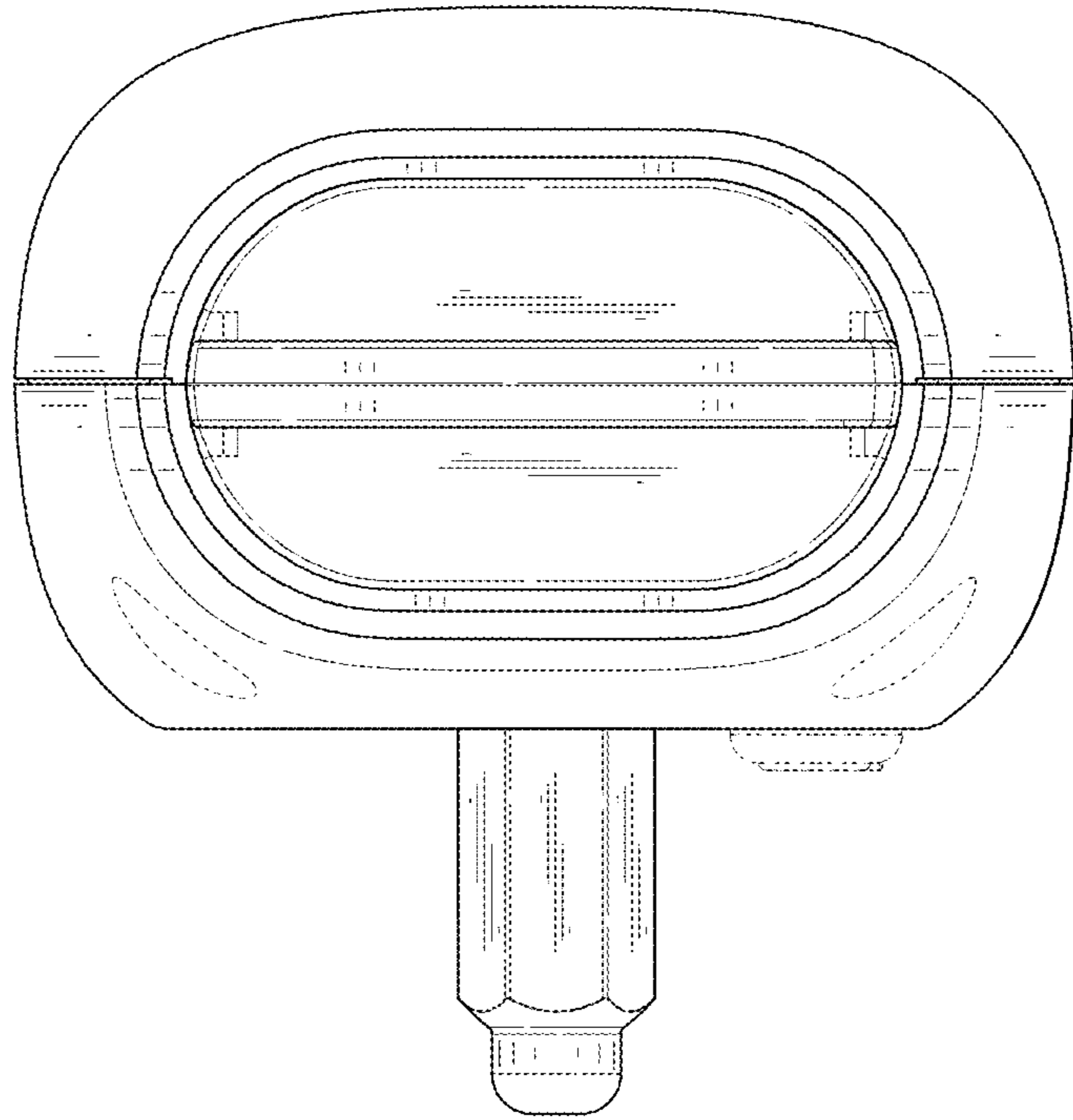


FIG. 7

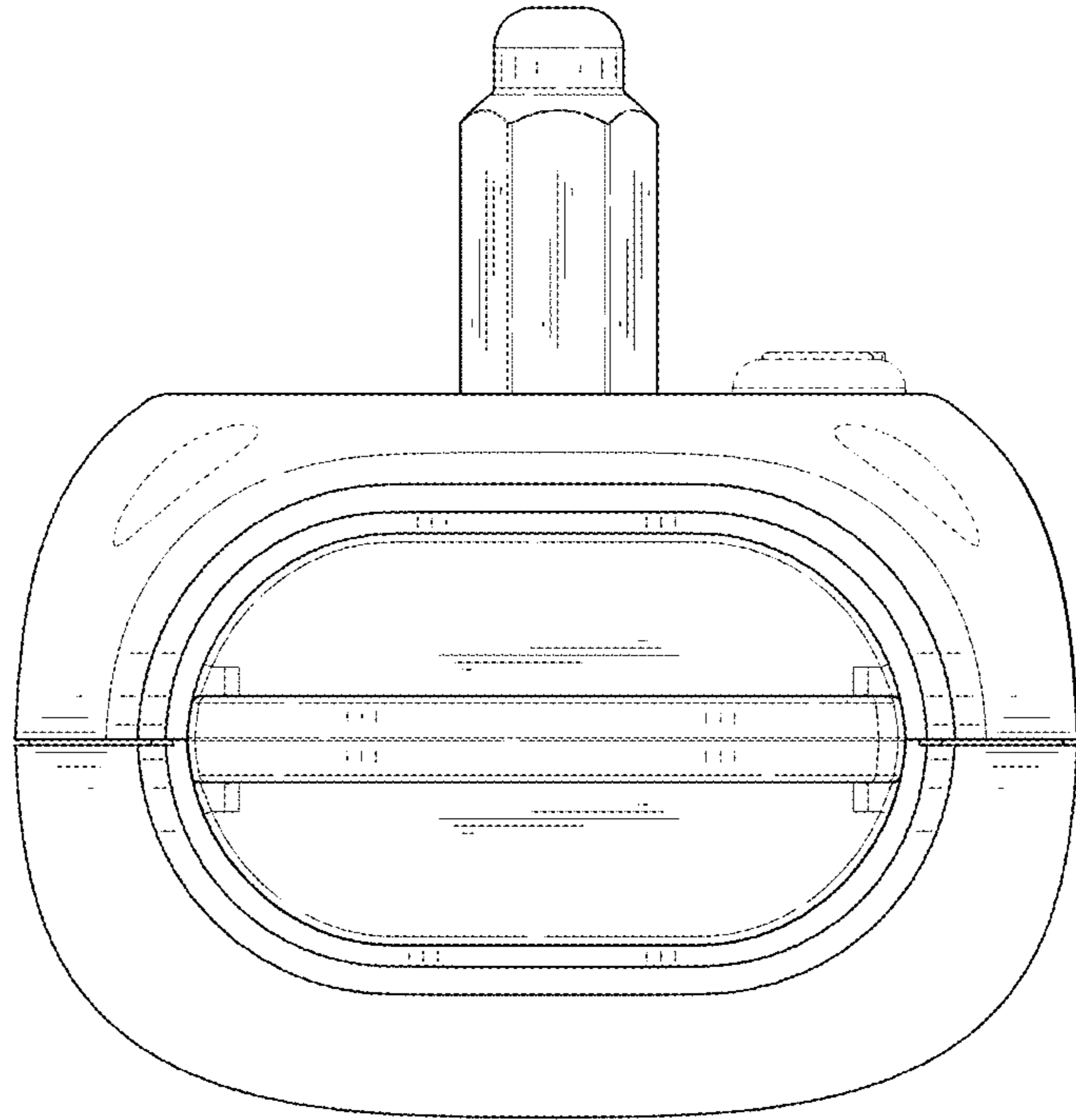


FIG. 8