



US00D948813S

(12) **United States Design Patent**
Dexter

(10) **Patent No.:** **US D948,813 S**
(45) **Date of Patent:** **** Apr. 12, 2022**

(54) **PORTABLE PET GROOMING SYSTEM**

(71) Applicant: **BISSELL Inc.**, Grand Rapids, MI (US)

(72) Inventor: **Brian Robert Dexter**, Grand Rapids, MI (US)

(73) Assignee: **BISSELL Inc.**, Grand Rapids, MI (US)

(**) Term: **15 Years**

(21) Appl. No.: **29/785,063**

(22) Filed: **May 24, 2021**

Related U.S. Application Data

(63) Continuation of application No. 16/990,171, filed on Aug. 11, 2020.

(51) **LOC (13) Cl.** **30-99**

(52) **U.S. Cl.**
USPC **D30/158; D30/199**

(58) **Field of Classification Search**

USPC D30/158, 199; 119/606, 600, 601-605, 119/608, 609, 650, 651, 665, 668-678, 119/174, 448; D28/12-18, 25, 23, 21, D28/30, 58, 54.1, 99; D23/382, 383, D23/387, 223, 225; D32/1, 15, 16, 23, D32/24, 35; 34/202, 201, 203-232, 666, 34/241, 242, 90, 93, 114, 595, 143, 95.1, 34/95.2, 96-98, 102, 105, 108, 113, 682, 34/585, 636, 239, 523, 128, 129; 43/124-130; 392/304, 379-384, 392/400-405; 219/240-242, 774, 778, 219/200, 201, 222, 225, 226, 255, 219/257-259, 267, 268, 385, 386, 428, 219/429, 433-436, 469, 470, 537, 538, 219/552, 553; 15/327.5, 344; 415/206; 604/315; D15/5
CPC A01K 13/00; A01K 13/001; A01K 13/003; A61D 7/00; A61D 7/04; A61D 11/00; A45D 20/00; A45D 20/04; A45D 20/08; A45D 20/10; A45D 20/12; A45D 20/14; A45D 20/16; A45D 1/04; A45D

2001/045; F26B 21/00; F26B 21/001; F26B 21/002; F26B 21/003; F26B 21/004; F26B 21/006; F26B 3/082; F26B 13/104; F26B 13/108; F26B 19/00; F26B 19/005; F26B 9/003

See application file for complete search history.

(56)

References Cited

U.S. PATENT DOCUMENTS

4,864,680 A * 9/1989 Blase A47L 11/4061
15/353
4,910,828 A * 3/1990 Blase A47L 11/34
15/352
5,735,017 A * 4/1998 Barnes A47L 11/4027
15/328

(Continued)

Primary Examiner — Susan Moon Lee

(74) *Attorney, Agent, or Firm* — Warner Norcross + Judd LLP

(57)

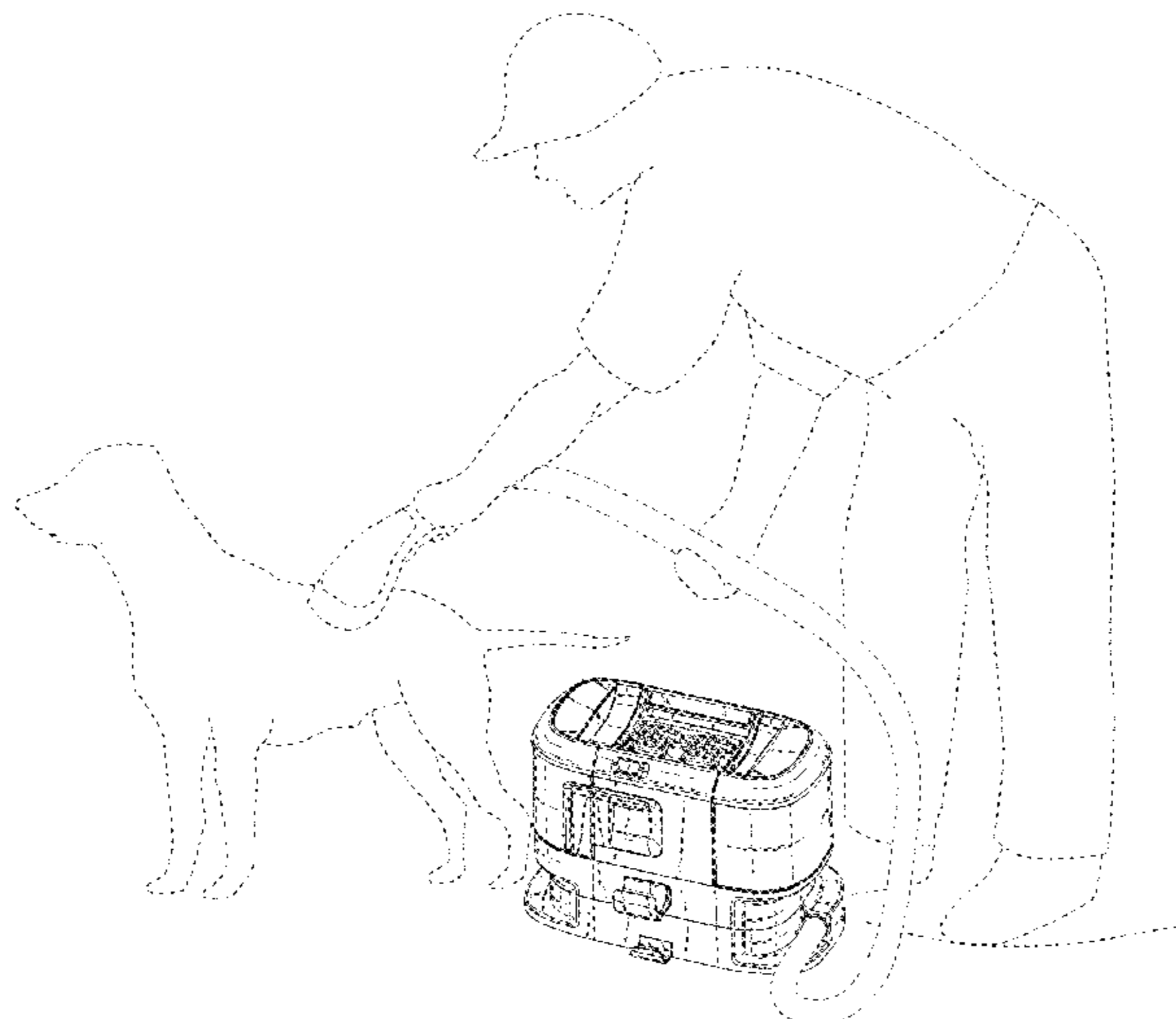
CLAIM

The ornamental design for a portable pet grooming system, as shown and described.

DESCRIPTION

FIG. 1 is a front perspective view of a portable pet grooming system showing my new design;
FIG. 2 is a rear perspective view of the portable pet grooming system;
FIG. 3 is a front perspective view of the portable pet grooming system showing a wrapped hose, tool tray, and accessory tools within the tool tray in broken line; and,
FIG. 4 is a front perspective view of the portable pet grooming system in an environment where the portable pet grooming system is used by a person to groom a pet.
The details of the portable pet grooming system and environment shown in broken lines form no part of the claimed design.

1 Claim, 4 Drawing Sheets



(56)

References Cited

U.S. PATENT DOCUMENTS

5,799,362	A *	9/1998	Huffman	A47L 11/4083	10,327,616	B2 *	6/2019	Moyher, Jr.	A47L 5/362
					15/328	10,368,710	B1 *	8/2019	Robinson	A47L 11/00
6,243,913	B1 *	6/2001	Frank	A47L 11/4083	10,426,139	B1 *	10/2019	Hill	A01K 13/001
					15/320	10,602,894	B2 *	3/2020	Conrad	A47L 9/1608
D444,924	S *	7/2001	Henning	D32/18	10,660,309	B2 *	5/2020	Takla	A46B 9/023
7,073,226	B1 *	7/2006	Lenkiewicz	A47L 11/4083	10,893,786	B2 *	1/2021	Quintero	A47L 11/30
					15/327.2	10,898,047	B2 *	1/2021	Goff	A47L 11/292
7,225,758	B1 *	6/2007	Galloway	A01K 13/001	10,905,101	B2 *	2/2021	Mainini	A01K 13/001
					119/603	10,986,975	B2 *	4/2021	Rukavina	A47L 11/4094
7,234,197	B2 *	6/2007	Tran	A47L 11/4038	D920,607	S *	5/2021	Del Toro	D32/18
					15/346	11,019,803	B2 *	6/2021	Takla	A01K 13/001
7,578,025	B2 *	8/2009	Kostreba	A47L 11/4088	11,033,001	B2 *	6/2021	Zhang	A01K 13/001
					315/320	11,083,170	B2 *	8/2021	Moyher, Jr.	A01K 13/001
8,549,697	B1 *	10/2013	Moyher, Jr.	A47L 11/305	11,134,655	B2 *	10/2021	Meng	A01K 1/0076
					15/319	D936,302	S *	11/2021	Gong	D30/158
D693,068	S *	11/2013	Tan	D30/158	11,172,799	B2 *	11/2021	Rukavina	A47L 9/24
8,601,641	B2 *	12/2013	Conrad	A47L 9/2842	D939,794	S *	12/2021	Irfan	D32/18
					15/327.2	11,229,335	B2 *	1/2022	Conrad	B29C 65/3432
8,683,644	B2 *	4/2014	Conrad	A47L 9/26	2006/0272120	A1 *	12/2006	Barrick	G01F 23/58
					242/400.1						15/344
9,220,237	B1 *	12/2015	Dryden	A01K 13/002	2010/0031707	A1 *	2/2010	Krebs	D06F 75/12
9,282,869	B2 *	3/2016	Wall	A47L 11/4036						68/222
9,615,703	B2 *	4/2017	Moyher, Jr.	A47L 11/4025	2014/0201940	A1 *	7/2014	Moyher, Jr.	A47L 11/4016
9,693,666	B2 *	7/2017	Conrad	A47L 5/24						15/321
9,788,700	B2 *	10/2017	Wall	A47L 11/34	2017/0049076	A1 *	2/2017	Takla	A01K 13/001
D809,100	S *	1/2018	Hong	D8/2	2018/0077900	A1 *	3/2018	Kang	A01K 13/001
D835,857	S *	12/2018	Benacquisto	D30/158	2018/0103611	A1 *	4/2018	Mainini	A47L 9/2842
D838,061	S *	1/2019	Wu	D30/158	2018/0110201	A1 *	4/2018	Mohyer, Jr.	A01K 13/001
						2020/0170220	A1 *	6/2020	Zhang	A01K 13/001
						2021/0051921	A1 *	2/2021	Hoffmann	A01K 13/001
						2021/0329886	A1 *	10/2021	Moyher, Jr.	A01K 13/001

* cited by examiner

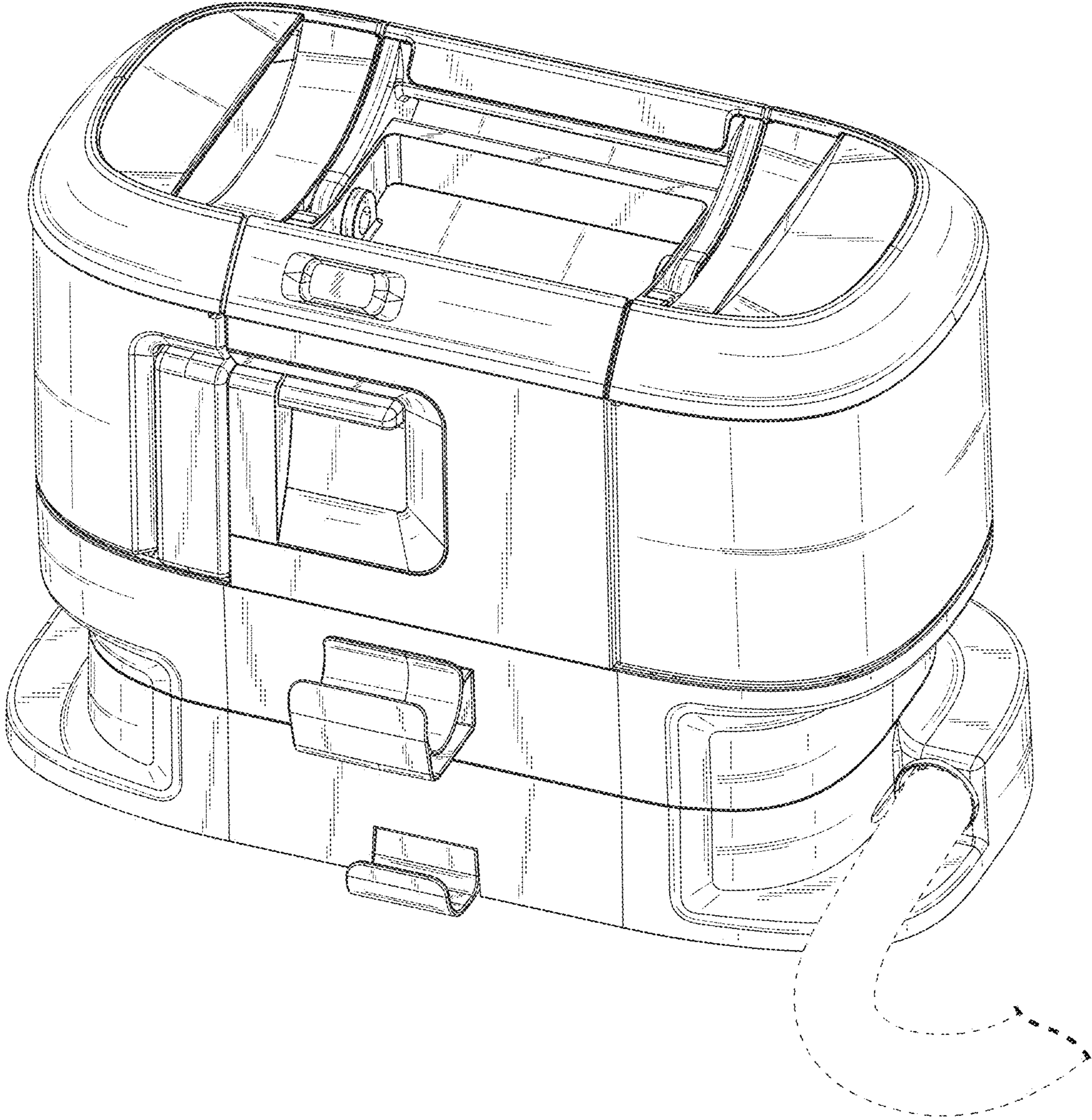


FIG. 1

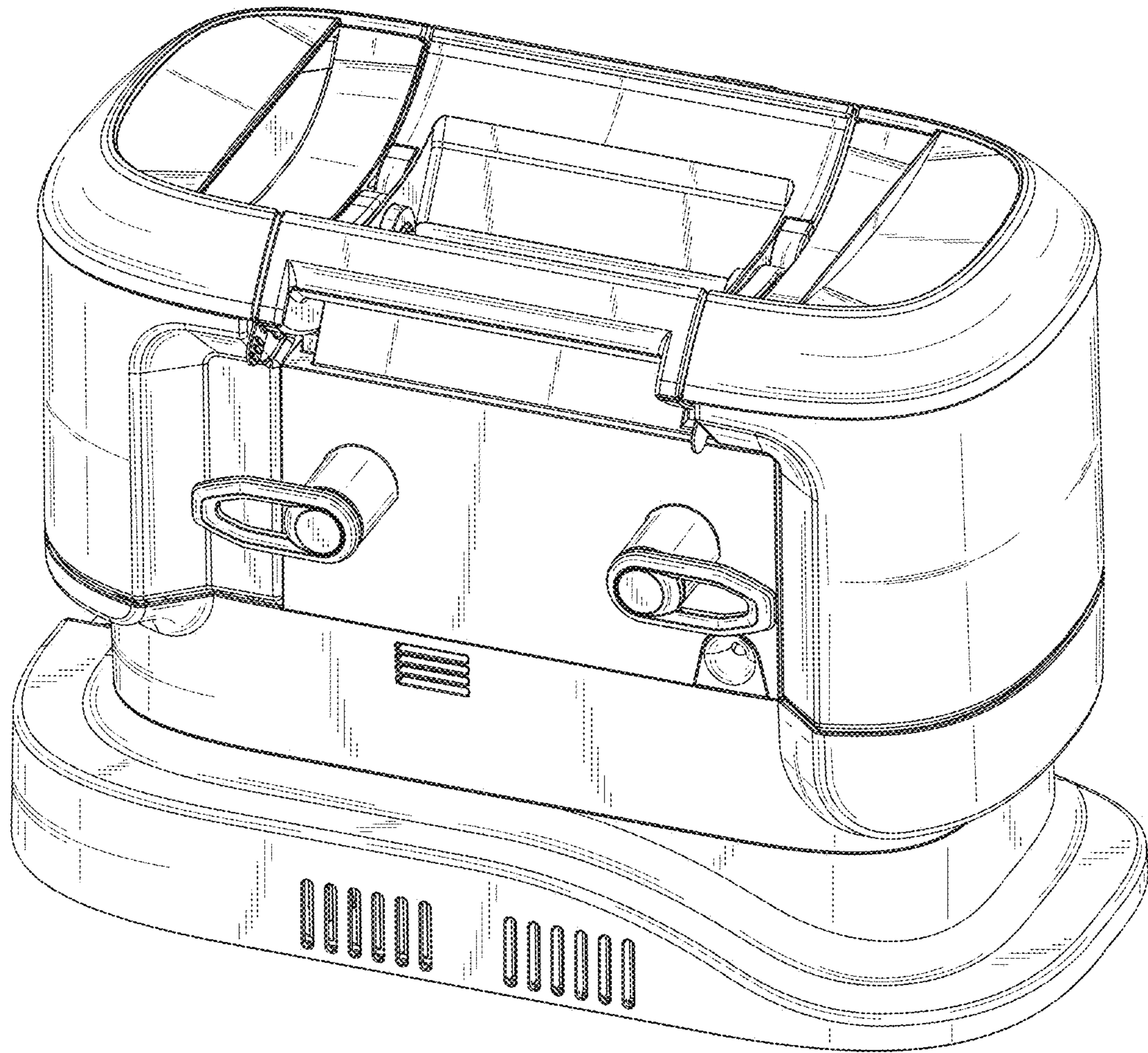


FIG. 2

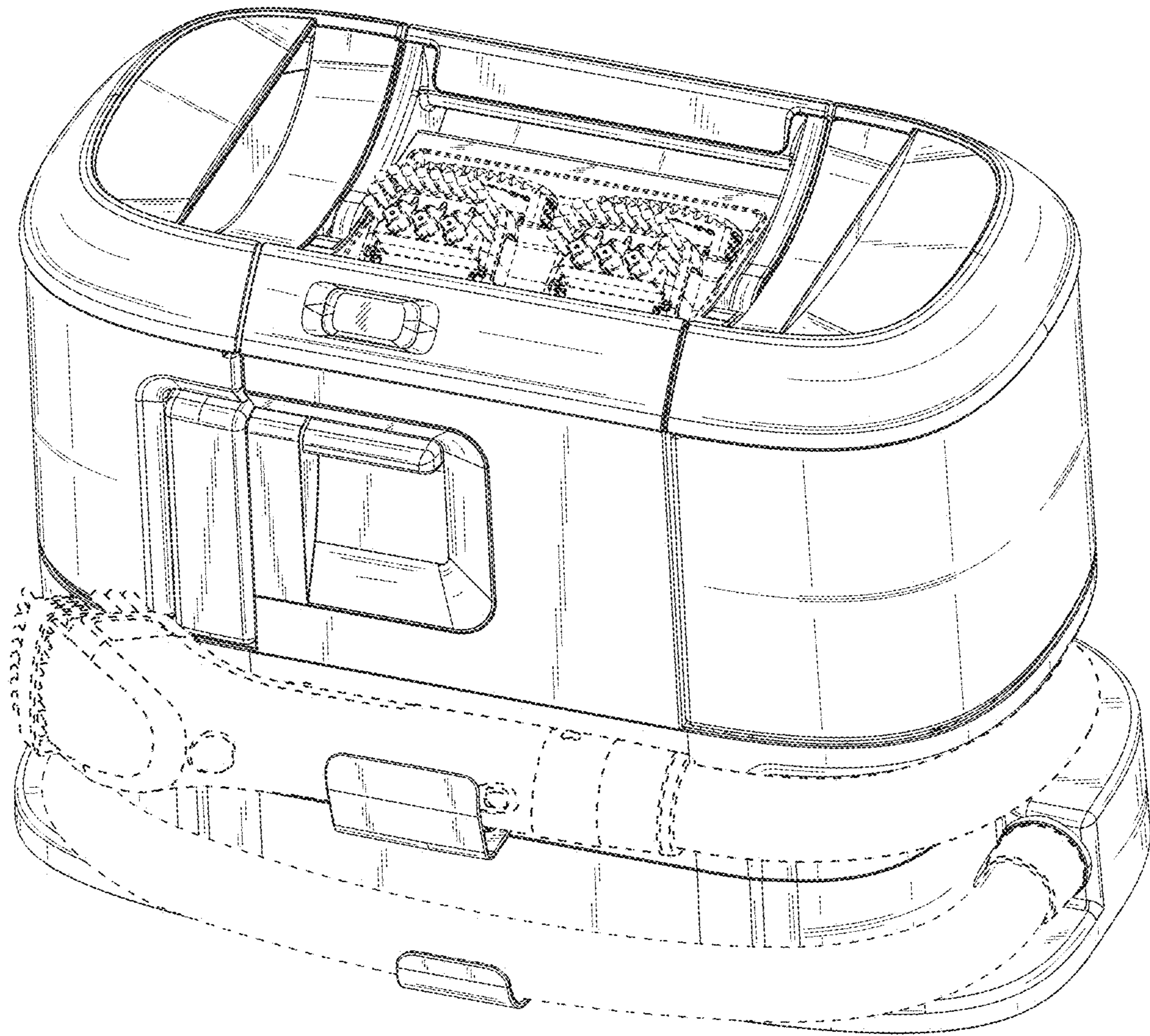


FIG. 3

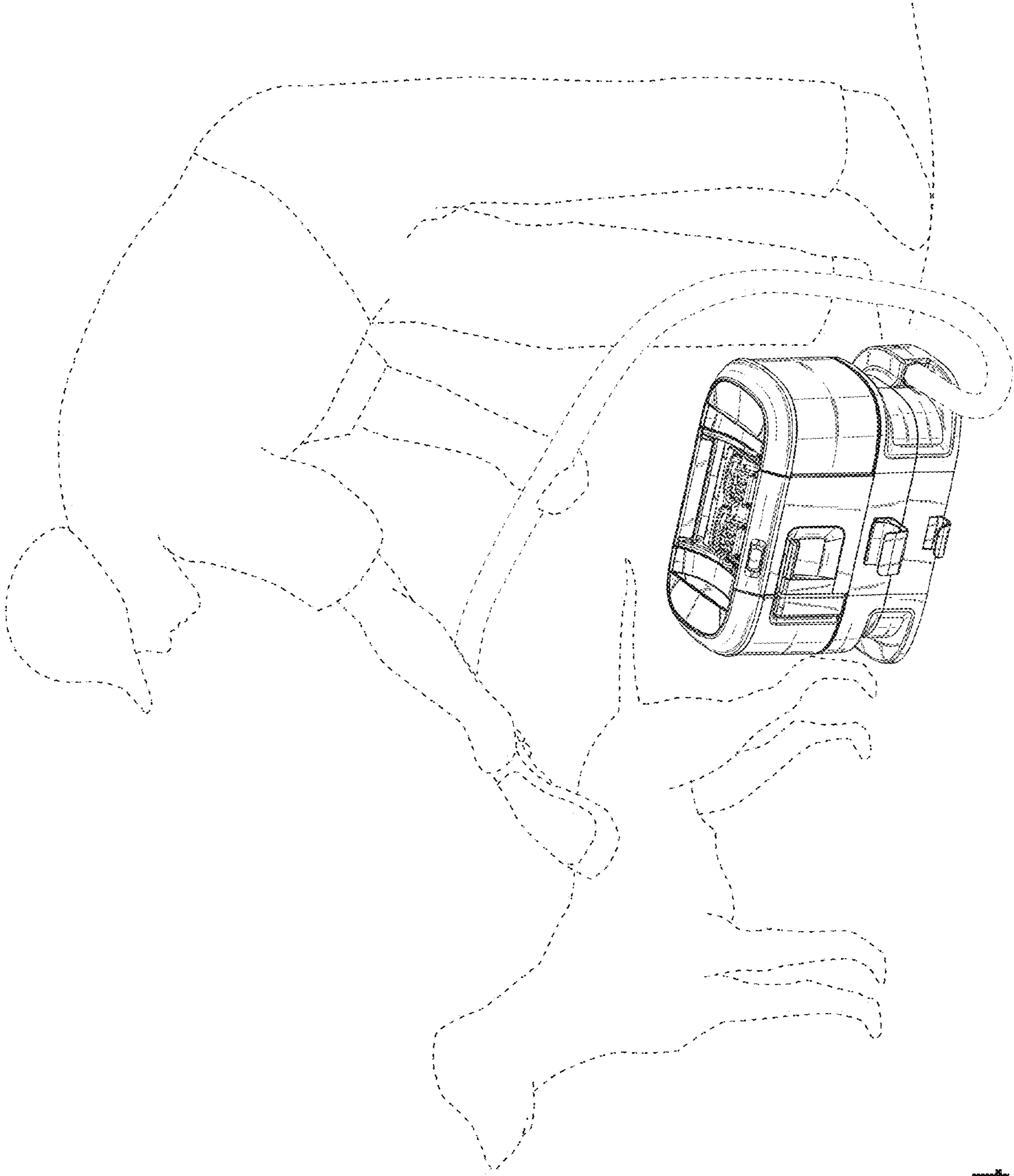


FIG. 4