

US00D948812S

(12) **United States Design Patent** (10) **Patent No.:** **US D948,812 S**
Xiao (45) **Date of Patent:** **** Apr. 12, 2022**

- (54) **PET NAIL CLIPPER**
- (71) Applicant: **GuoQiang Xiao**, Ledong (CN)
- (72) Inventor: **GuoQiang Xiao**, Ledong (CN)
- (**) Term: **15 Years**
- (21) Appl. No.: **29/718,397**
- (22) Filed: **Dec. 24, 2019**
- (51) **LOC (13) Cl.** **30-99**
- (52) **U.S. Cl.**
USPC **D30/158**
- (58) **Field of Classification Search**
USPC D30/158, 199; 119/600, 608, 609, 610,
119/611, 620; D8/52; D28/60; 30/26,
30/109, 111, 114, 115, 123.5, 175;
81/424, 177.9, 418, 427; 132/73.5;
362/119
CPC .. A01K 13/00; A01K 13/002; A01K 13/0002;
A45D 29/02; A45D 24/007; A45D 29/04;
A45D 29/05
See application file for complete search history.

(56) **References Cited**
U.S. PATENT DOCUMENTS

D259,854 S *	7/1981	Wahlberg	D8/58
D262,090 S *	12/1981	Wahlberg	D8/58
D615,254 S *	5/2010	Manheimer, III	D30/158
D722,849 S *	2/2015	Weinblut	D8/52
9,913,457 B2 *	3/2018	Kim	A01K 13/00
10,173,332 B1 *	1/2019	Zhu	A01K 13/00
D855,904 S *	8/2019	Zhu	D30/158
D897,054 S *	9/2020	Wu	D30/158
D903,953 S *	12/2020	Liu	D30/158
D903,954 S *	12/2020	Wu	D30/158
D906,604 S *	12/2020	Yan	D30/158
D923,886 S *	6/2021	Wang	D30/158

2009/0158593 A1* 6/2009 Smith A01K 13/00
30/28
2017/0245469 A1* 8/2017 Contreras A01K 13/003
2019/0320616 A1* 10/2019 Jacobowitz A45D 29/02

OTHER PUBLICATIONS

“Dog Nail Clippers with Safety Guard” available Aug. 24, 2021, [online], [site visited Aug. 24, 2021]. Retrieved from Internet, URL:https://untilgone.com/products/dog-nail-clippers-with-safety-guard.html?sku=SKU718352&gclid=EA1alQobChMI4d-12P7K8glVDbrlCh16swBxEAQYCCABEgKbffd_BwE (Year: 2021).*
“Nail Clipper with Adjustable Nail Guard” available Aug. 24, 2021, [online], [site visited Aug. 24, 2021]. Retrieved from Internet, URL:https://www.petsupermarket.com/nail-clipper-with-adjustable-nail-guard/product/SCM01723?gclid=EA1alQobChMI4d-12P7K8glVDbrlCh16swBxEAQYBiABEgKKh_D_BwE&gclid=aw.ds (Year: 2021).*

(Continued)

Primary Examiner — Michael C Stout
Assistant Examiner — Katrina N Gonzalez

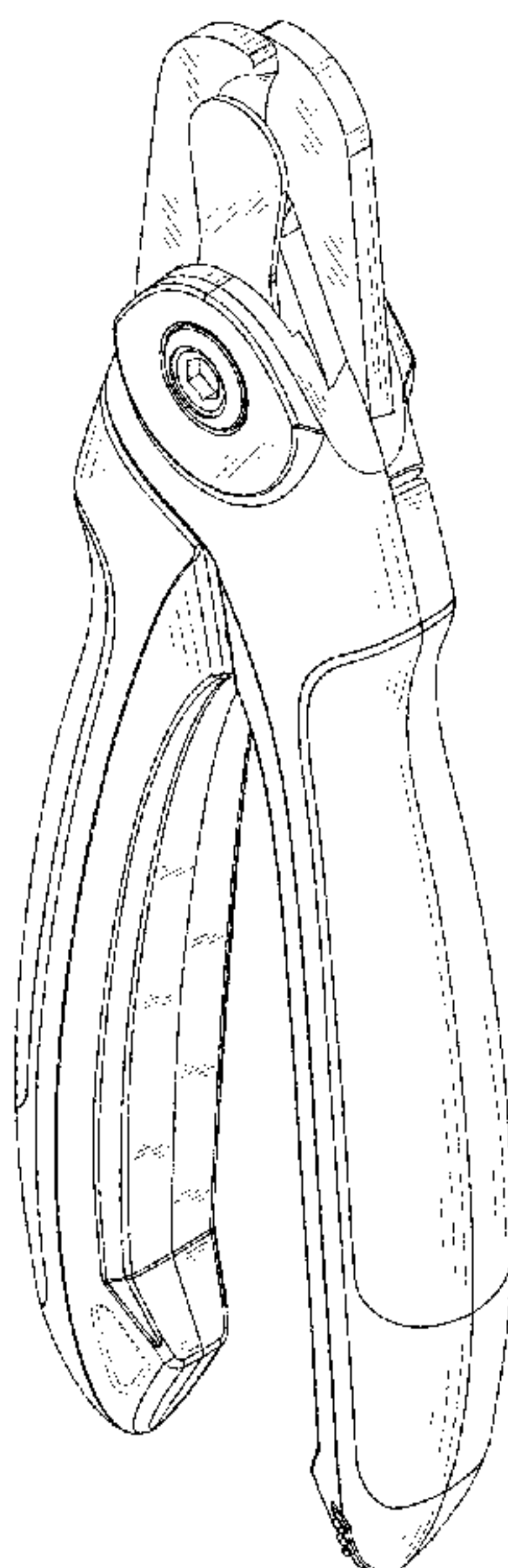
(57) **CLAIM**

The ornamental design for a pet nail clipper, as shown and described.

DESCRIPTION

FIG. 1 is a first perspective view of a pet nail clipper showing my new design;
FIG. 2 is a second perspective view thereof;
FIG. 3 is a front view thereof;
FIG. 4 is a back view thereof;
FIG. 5 is a left side view thereof;
FIG. 6 is a right side view thereof;
FIG. 7 is a top view thereof;
FIG. 8 is a bottom view thereof; and,
FIG. 9 is an exploded perspective view thereof, shown with a portion removed for completeness of illustration.
The broken lines shown in the drawings depict portions of the pet nail clipper in which the design is embodied that form no part of the claimed design.

1 Claim, 9 Drawing Sheets



(56)

References Cited

OTHER PUBLICATIONS

“Mighty Paw Dog Nail Clippers” available Sep. 10, 2020, [online], [site visited Aug. 24, 2021]. Retrieved from Internet, URL:<https://www.walmart.com/ip/Mighty-Paw-Dog-Nail-Clippers-Pet-Trimmers-File-Set-Includes-Built-in-Safety-Guard-Avoid-Cutting-Too-Short-Stainless-Steel-Blade-Ergonomic-Handle-Vet-/289230419> (Year: 2020).*

“TIMINGILA Dog Nail Clippers” available Jul. 27, 2021, [online], [site visited Sep. 10, 2021]. Retrieved from Internet, URL:https://www.amazon.com/TIMINGILA-Clippers-Over-Cutting-Professional-Grooming/dp/B0932B36NZ/ref=sr_1_3 (Year: 2021).*

* cited by examiner

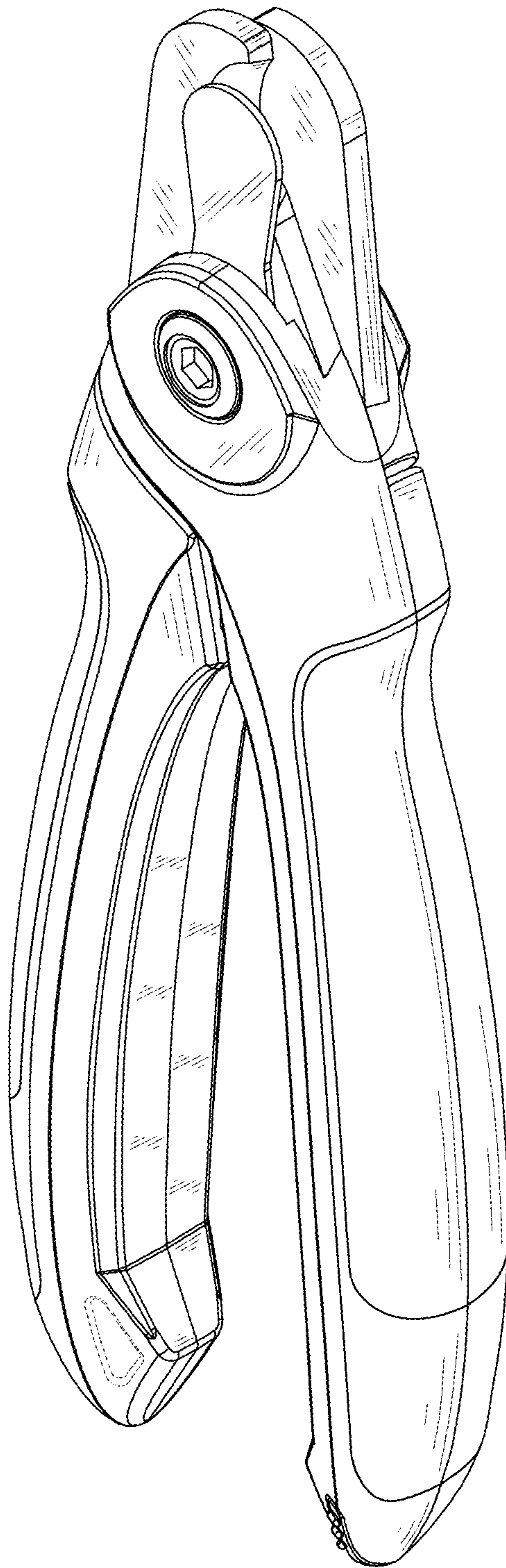


FIG. 1

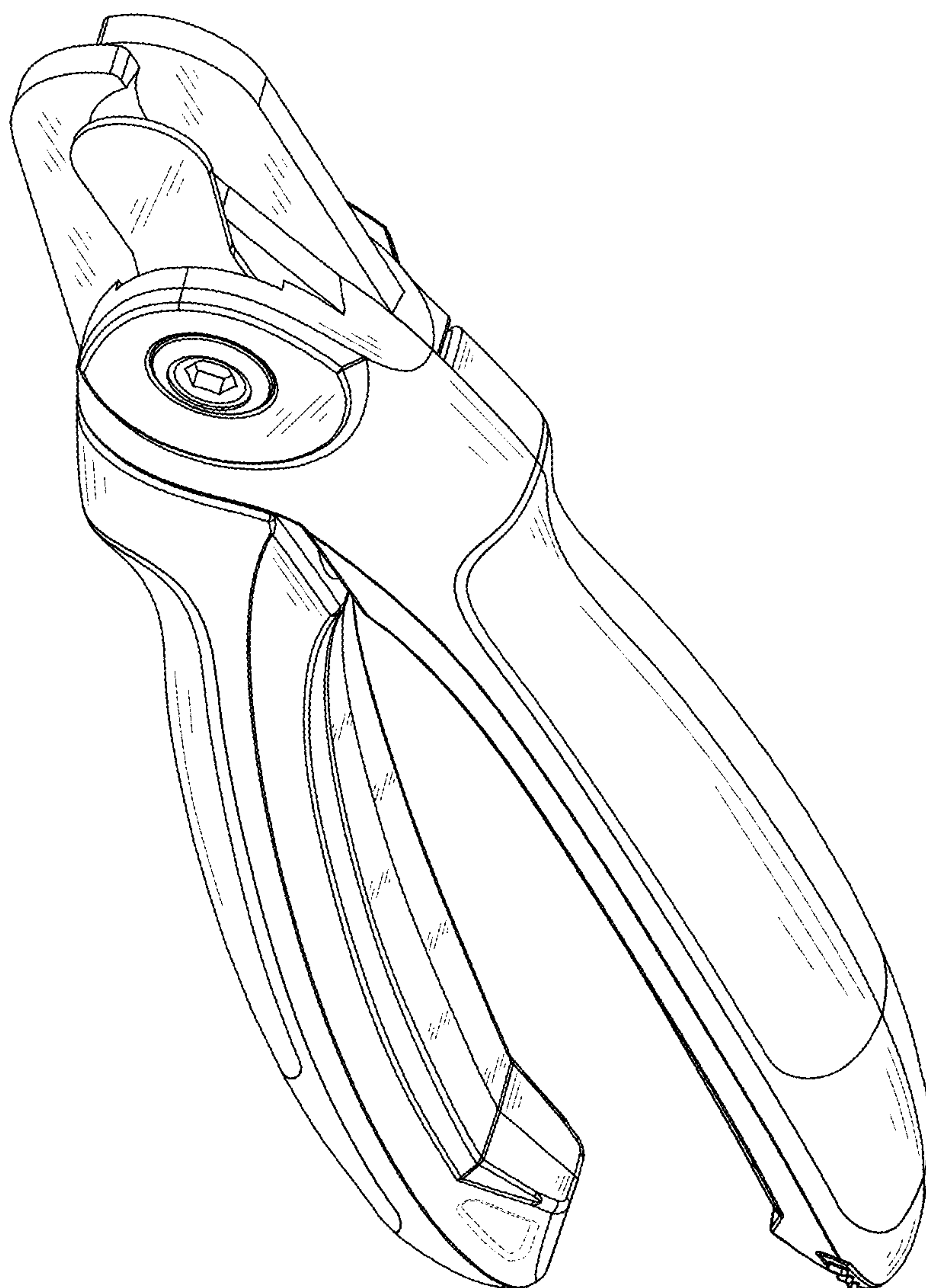


FIG. 2

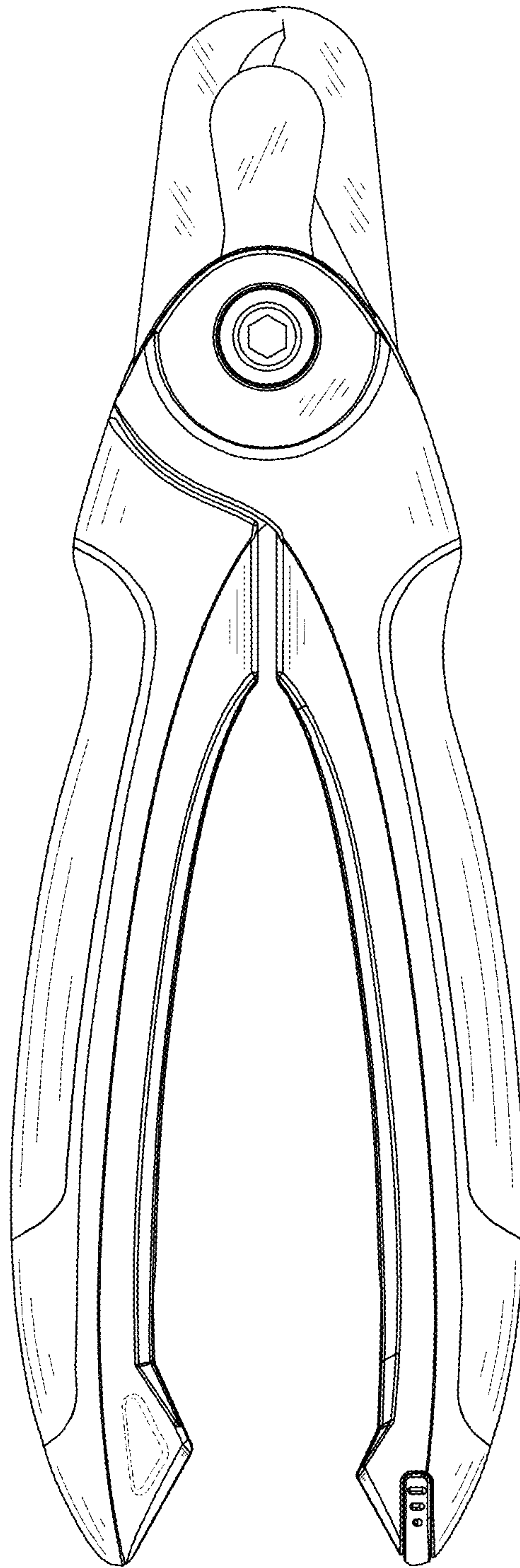


FIG. 3

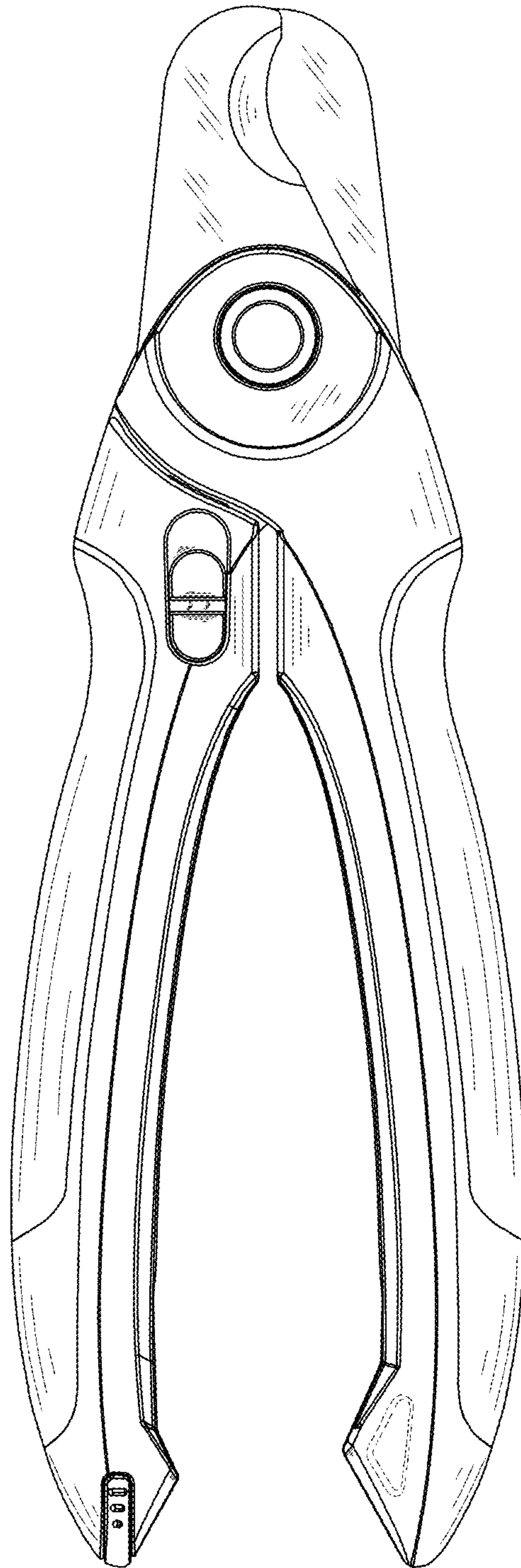


FIG. 4

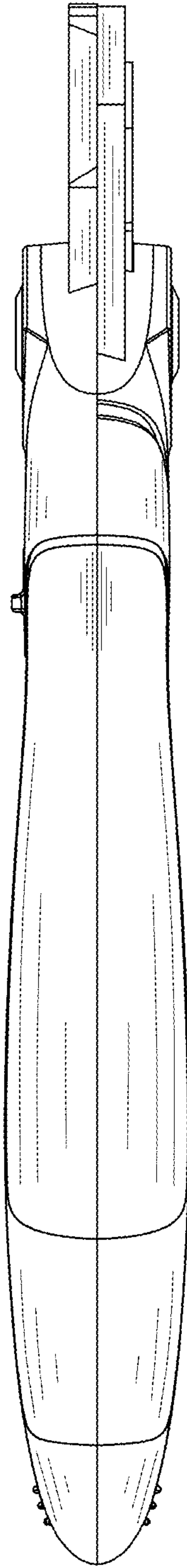


FIG. 5

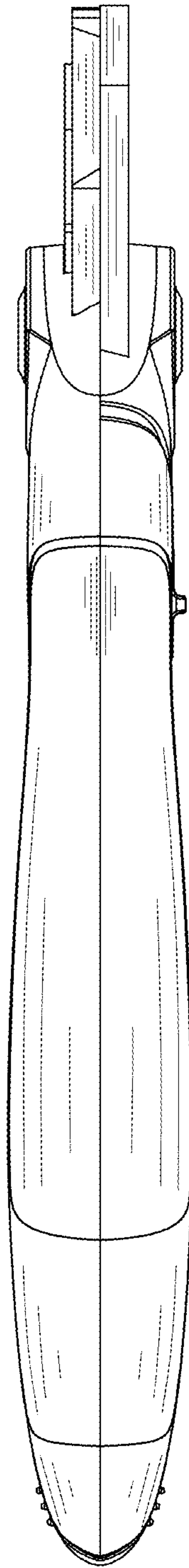


FIG. 6

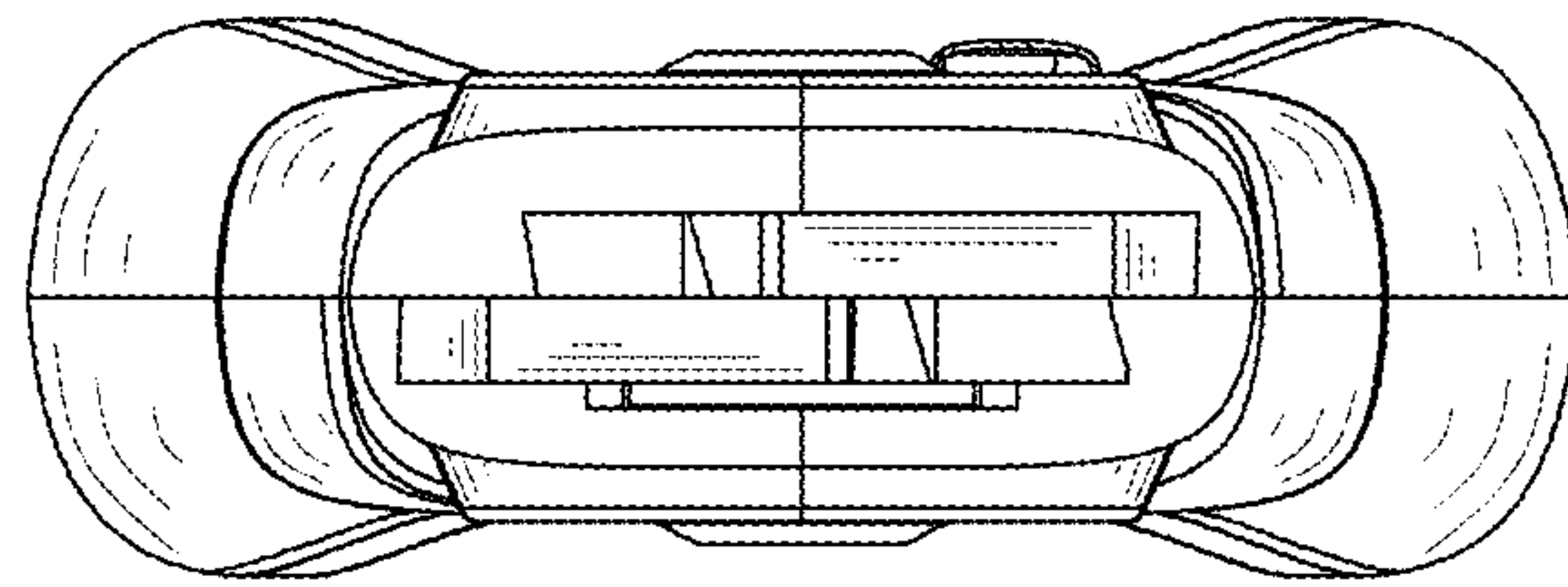


FIG. 7

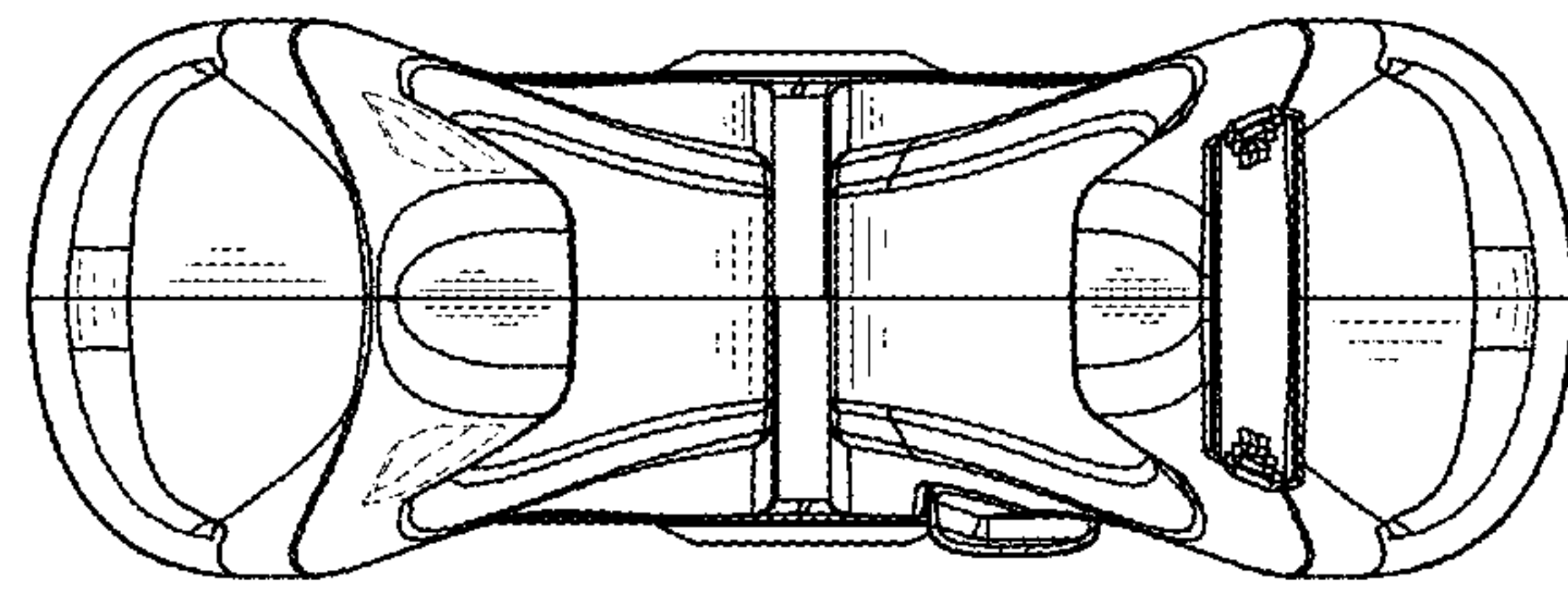


FIG. 8

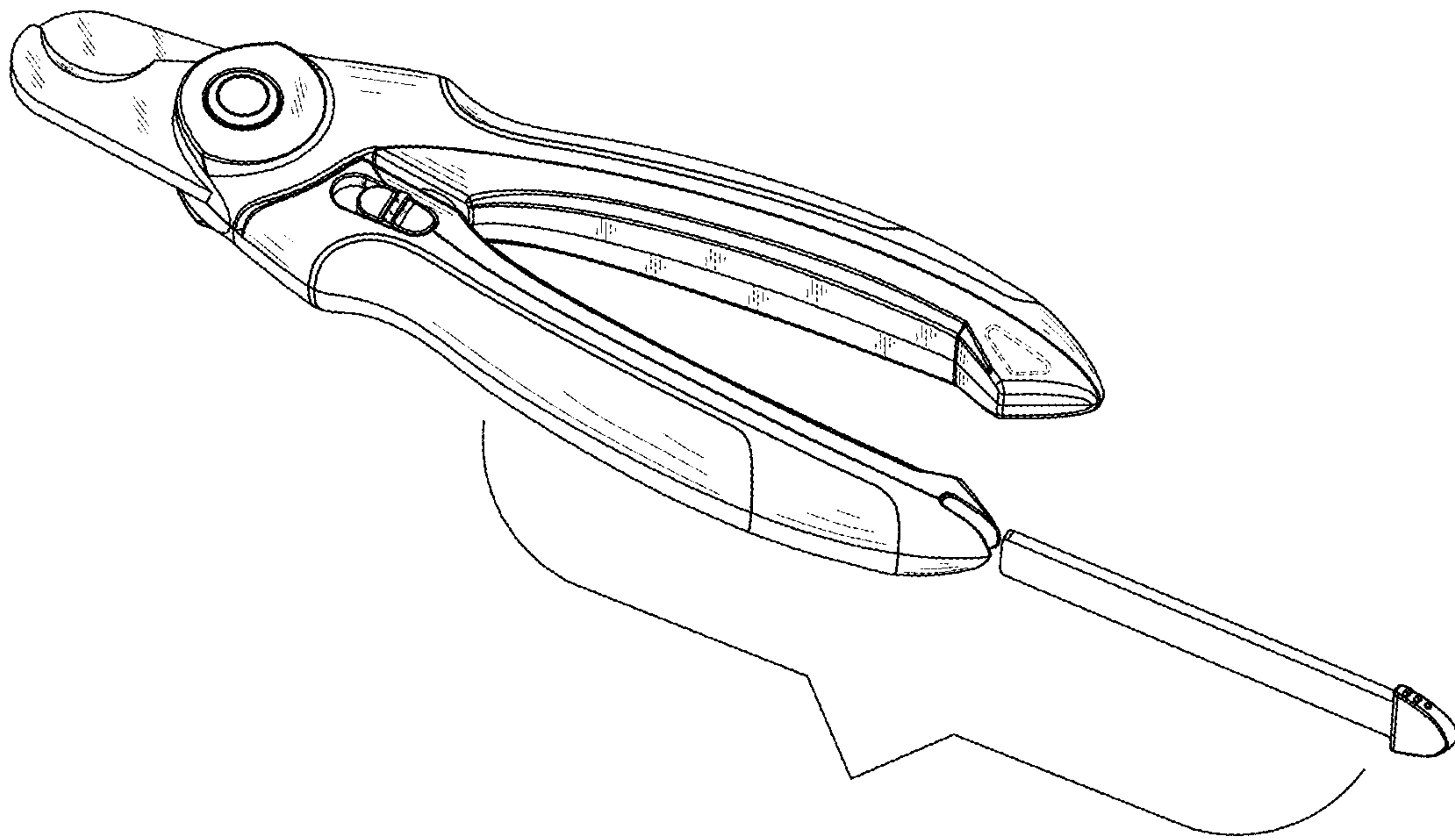


FIG. 9