



US00D948807S

(12) **United States Design Patent**
Robison

(10) **Patent No.:** **US D948,807 S**

(45) **Date of Patent:** **** Apr. 12, 2022**

(54) **ROUND BALE HAY FEEDER**

40/254; A01D 90/00; A01D 90/08; A01D
87/122; A01F 25/12; A01F 25/125; A01F
25/13; A01F 25/14

(71) Applicant: **Dennis Robison**, San Angelo, TX (US)

See application file for complete search history.

(72) Inventor: **Dennis Robison**, San Angelo, TX (US)

(56) **References Cited**

(**) Term: **15 Years**

U.S. PATENT DOCUMENTS

(21) Appl. No.: **29/726,648**

3,906,901 A 9/1975 Cox
3,913,529 A * 10/1975 Leigh, Jr. A01K 1/10
119/60

(22) Filed: **Mar. 4, 2020**

4,044,967 A 8/1977 Guichon
4,053,071 A 10/1977 Schrag et al.
4,253,424 A * 3/1981 Williams A01K 5/01
119/61.4

(51) **LOC (13) Cl.** **30-03**

(52) **U.S. Cl.**
USPC **D30/131**

4,266,899 A 5/1981 Skeem
4,330,231 A 5/1982 Brewer
4,428,707 A 1/1984 Cockle et al.
4,443,146 A 4/1984 Duncan
4,545,716 A 10/1985 Pearce

(58) **Field of Classification Search**

USPC D30/133, 121, 122, 124, 127, 128, 132,
D30/129-131; 119/51.01, 61, 51.04, 53,
119/57.91, 54, 53.5, 52.4, 51.11, 63, 61.2,
119/52.1, 57.5, 57.6, 51.13, 62, 75, 500,
119/501, 73, 74, 51.12, 51.5, 52.2, 61.1,
119/60, 58, 59, 61.4; 239/7, 687, 379,
239/397.5; 222/199, 181.1, 181.2, 185.1,
222/557, 156, 485, 486, 548, 555;
220/628, 200, 227, 247, 262, 697-702,
220/4.12, 4.16; 221/174, 185.1, 289, 295,
221/296, 559; 454/35; 209/270, 283,
209/244; 52/194, 192; 49/279, 344, 357;
D34/28; D7/409, 601; 211/181.1;
414/24.5; D32/53.1; 15/260, 262, 264,
15/257.01, 257.05, 257.06; 118/419;
D9/424, 429; D8/1; D11/143, 144;
47/18, 65, 65.5, 66.1, 66.6, 66.7, 86, 39,
47/41.11, 41.01, 41.14, 901, 33, 73, 44,
47/46, 48.5, DIG. 3
CPC .. A01K 5/00-007; A01K 5/01; A01K 5/0107;
A01K 7/00; A01K 1/10; A01G 9/02;
A01G 9/021; A01G 9/029; A01G 9/0291;
A01G 9/12; A01G 9/16; A01G 9/022;
A01G 9/027; A01G 9/1423; A01G
9/1438; A47H 27/00; Y10S 119/90; Y02A

(Continued)

Primary Examiner — Susan Moon Lee

(74) *Attorney, Agent, or Firm* — Sean Christian Connolly

(57) **CLAIM**

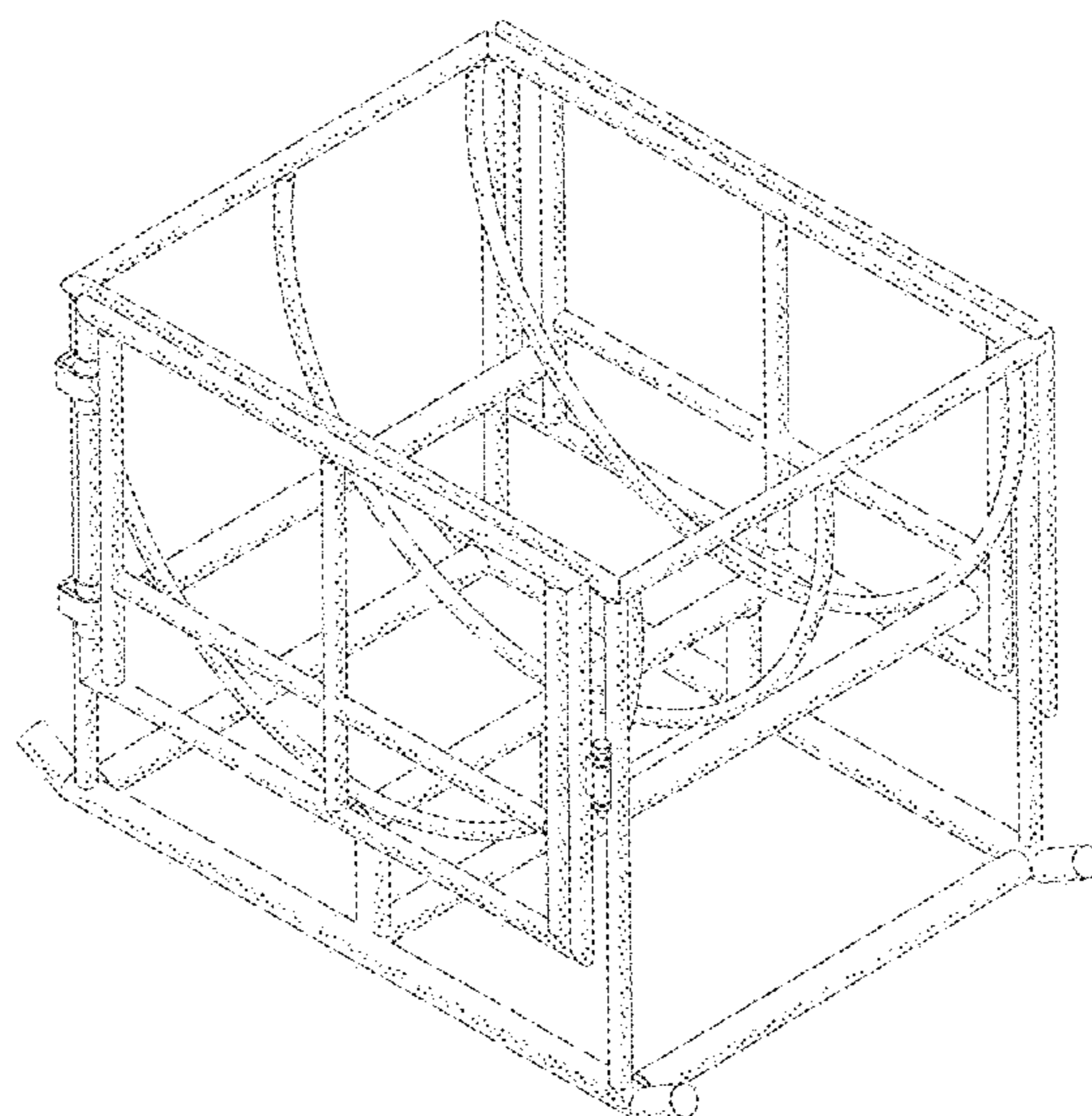
The ornamental design for a round bale hay feeder, as shown and described.

DESCRIPTION

FIG. 1 is a perspective view of a round bale hay feeder of the present design;
FIG. 2 is a front view of a round bale hay feeder of the present design;
FIG. 3 is a rear view of a round bale hay feeder of the present design;
FIG. 4 is a side view of a round bale hay feeder of the present design; and,
FIG. 5 is a top view of a round bale hay feeder of the present design.

Any shading and cross-hatching are not features of the design but are utilized to illustrate the surface contours of the round bale saddle feeder design in the drawings.

1 Claim, 5 Drawing Sheets



(56)

References Cited

U.S. PATENT DOCUMENTS

| | | | | | | | | | |
|--------------|------|---------|----------------------|-------------------------|--|--|--|--|--|
| 5,030,053 | A | 7/1991 | Wickizer | | | | | | |
| 5,158,040 | A | 10/1992 | Martin | | | | | | |
| 5,203,658 | A | 4/1993 | Henderson | | | | | | |
| 5,311,840 | A | 5/1994 | Rumbaugh | | | | | | |
| 5,361,724 | A | 11/1994 | Kuhns | | | | | | |
| 5,368,238 | A | 11/1994 | Bergkamp et al. | | | | | | |
| 5,496,145 | A | 3/1996 | Monin | | | | | | |
| D371,228 | S * | 6/1996 | Monin | D30/121 | | | | | |
| 5,586,519 | A | 12/1996 | Wilkinson | | | | | | |
| D397,530 | S * | 8/1998 | Lile | D30/131 | | | | | |
| 5,865,589 | A | 2/1999 | Reyher et al. | | | | | | |
| 5,921,202 | A | 7/1999 | Schulz | | | | | | |
| 6,006,696 | A | 12/1999 | Mann et al. | | | | | | |
| D423,735 | S * | 4/2000 | Lile | D30/131 | | | | | |
| 6,213,053 | B1 | 4/2001 | Lammers | | | | | | |
| D451,649 | S * | 12/2001 | Lovell | A01K 5/01 D30/131 | | | | | |
| 6,481,373 | B2 | 11/2002 | Swetzig | | | | | | |
| D472,681 | S * | 4/2003 | Melius | A01K 5/01 D30/133 | | | | | |
| 6,789,504 | B1 | 9/2004 | O'Neill | | | | | | |
| 6,951,189 | B1 | 10/2005 | Lienemann | | | | | | |
| D548,896 | S * | 8/2007 | Stewart | D30/131 | | | | | |
| 7,644,682 | B2 | 1/2010 | Lerner et al. | | | | | | |
| D611,068 | S * | 3/2010 | Currie | D15/10 | | | | | |
| D613,093 | S * | 4/2010 | Snider | A47J 47/16 D7/704 | | | | | |
| D629,258 | S * | 12/2010 | Tiemann | D7/600.4 | | | | | |
| D635,799 | S * | 4/2011 | Snider | A47J 31/44 D6/678.4 | | | | | |
| 8,181,600 | B2 * | 5/2012 | Smith | A01K 5/0107 119/60 | | | | | |
| 8,720,373 | B1 * | 5/2014 | Tesinsky | A01K 5/01 119/60 | | | | | |
| D741,650 | S * | 10/2015 | Bombard | D7/409 | | | | | |
| 9,345,229 | B2 * | 5/2016 | Gibbons | A01K 1/10 | | | | | |
| 10,966,372 | B1 * | 4/2021 | Anspach | B65B 27/125 | | | | | |
| 11,000,010 | B2 * | 5/2021 | Studebaker, Jr. | A01K 5/015 | | | | | |
| 11,109,565 | B2 * | 9/2021 | Chvala | A01D 87/122 | | | | | |
| 2002/0018702 | A1 | 2/2002 | Stredwick et al. | | | | | | |
| 2006/0070580 | A1 | 4/2006 | Klene | | | | | | |
| 2009/0169340 | A1 * | 7/2009 | Smith | A01K 5/0107 414/24.5 | | | | | |
| 2010/0212597 | A1 | 8/2010 | Wolfe | | | | | | |
| 2010/0263597 | A1 | 10/2010 | Kerns | | | | | | |
| 2015/0289449 | A1 | 10/2015 | Greer | | | | | | |
| 2018/0199539 | A1 * | 7/2018 | Robison | A01K 1/10 | | | | | |

* cited by examiner

FIG. 1

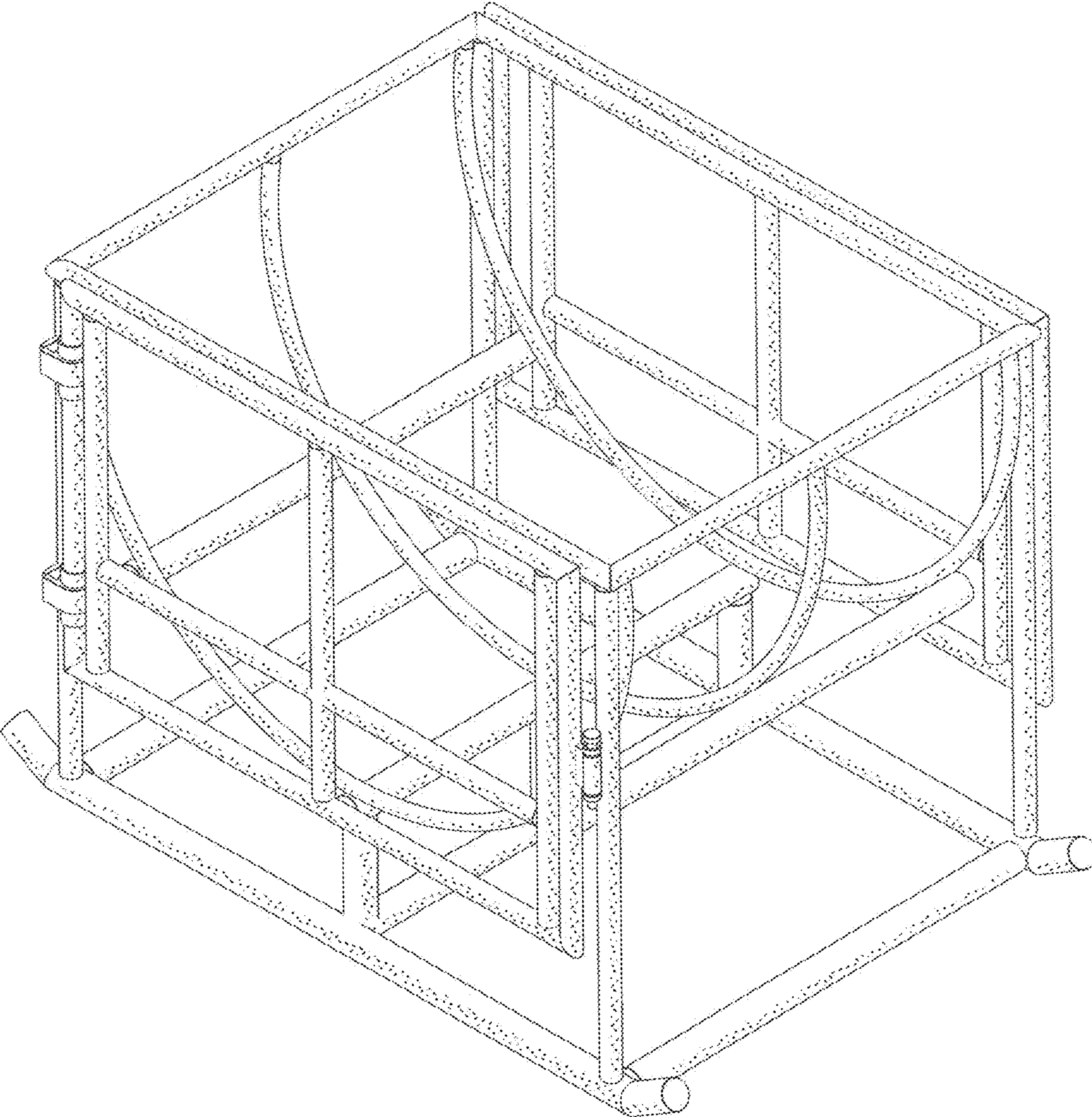


FIG. 2

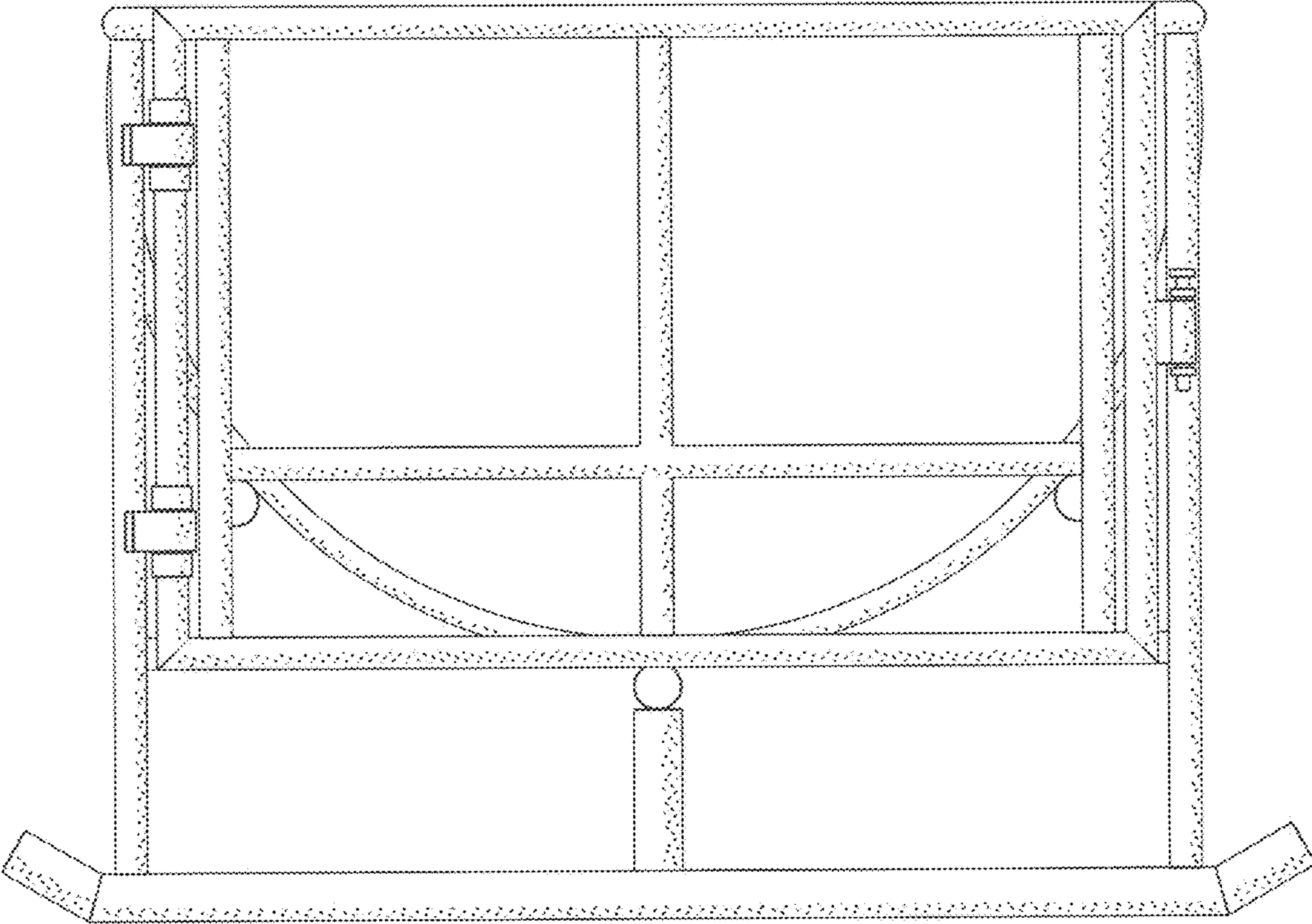


FIG. 3

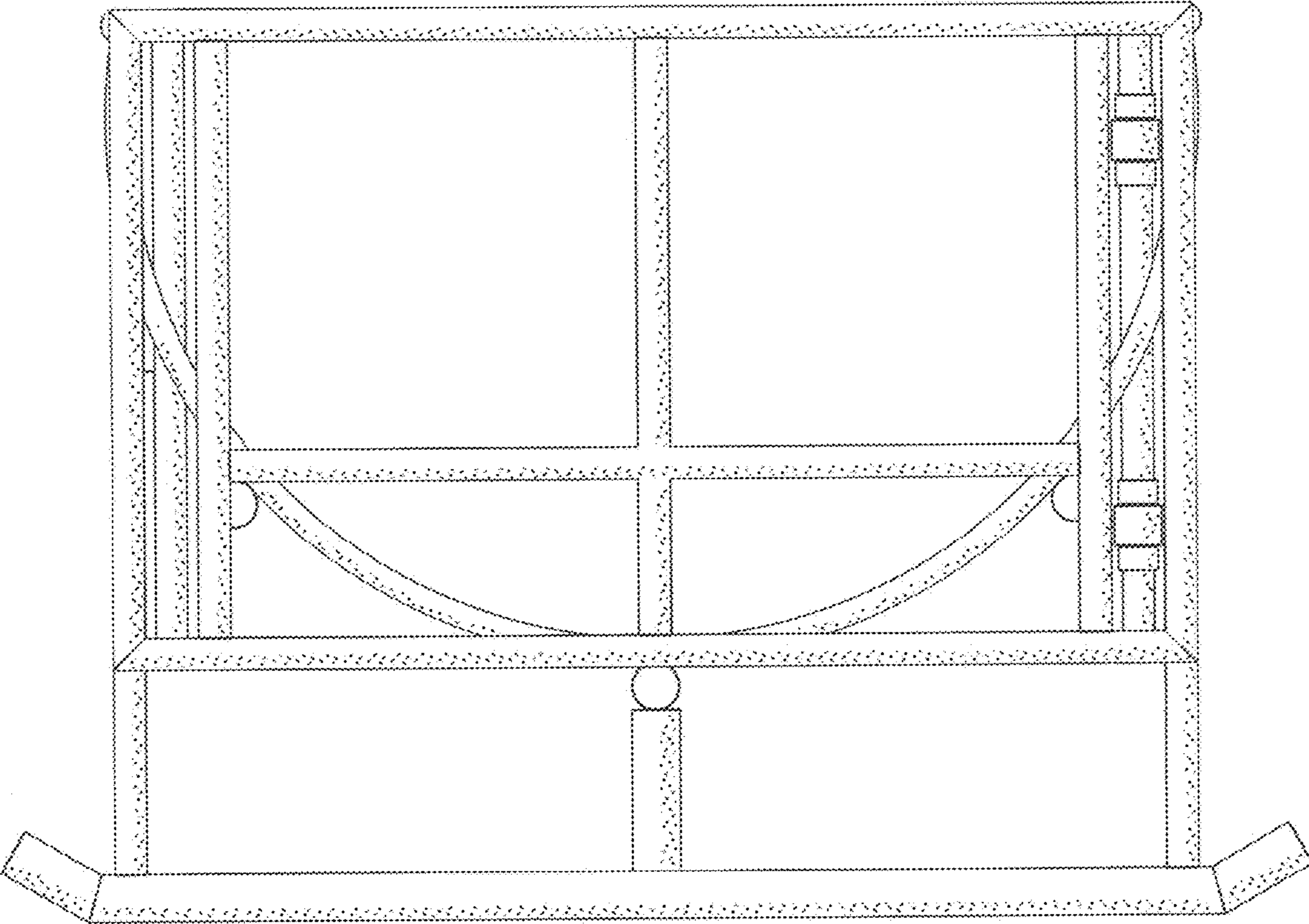


FIG. 4

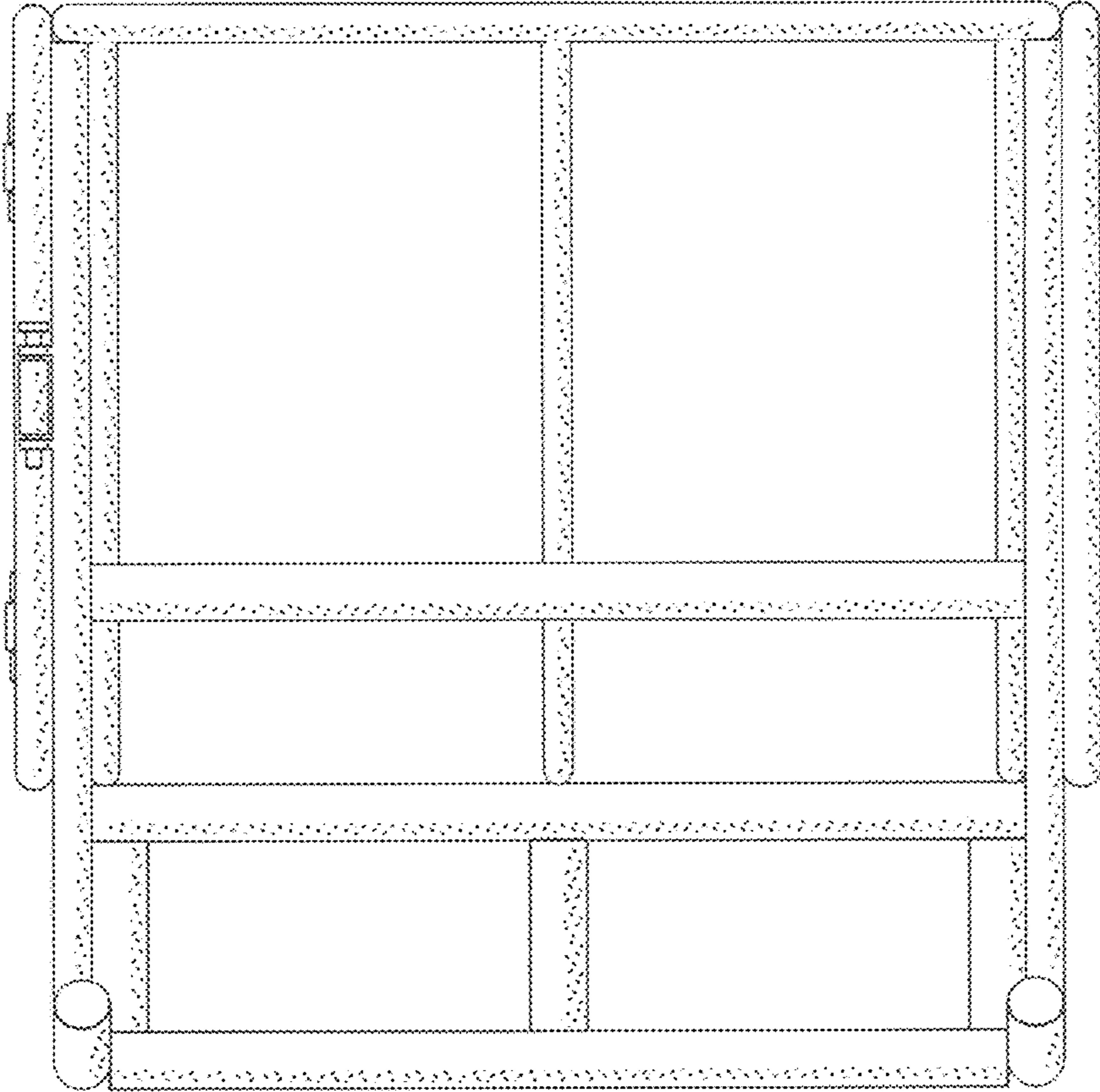


FIG. 5

