



US00D948806S

(12) **United States Design Patent**
Dominguez

(10) **Patent No.:** **US D948,806 S**
(45) **Date of Patent:** **** Apr. 12, 2022**

(54) **BOWL WITH CONNECTOR**

D892,412 S * 8/2020 Guo D30/121
D917,108 S * 4/2021 Xie D30/132
D917,794 S * 4/2021 Jin D30/132

(71) Applicant: **David Dominguez**, Santa Maria, CA
(US)

(Continued)

(72) Inventor: **David Dominguez**, Santa Maria, CA
(US)

OTHER PUBLICATIONS

(**) Term: **15 Years**

“The Water Buddy” available Dec. 29, 2020, [online], [site visited
Sep. 21, 2021]. Retrieved from Internet, URL:https://www.youtube.
com/watch?v=oi0JffBJYTY (Year: 2020).*

(21) Appl. No.: **29/743,620**

(Continued)

(22) Filed: **Jul. 23, 2020**

Primary Examiner — W. A. Teddy Falloway

(51) **LOC (13) Cl.** **30-03**

Assistant Examiner — Katrina N Gonzalez

(52) **U.S. Cl.**

(74) *Attorney, Agent, or Firm* — Diament Patent Law,
P.C.; Adam Diament

USPC **D30/129**; D30/132

(58) **Field of Classification Search**

(57) **CLAIM**

USPC D30/121, 122, 129–133, 199; 119/51.01,
119/51.02, 51.03, 51.11, 51.15, 51.5, 70,
119/52.1, 52.3, 52.4, 53, 53.5, 54, 57.92,
119/61.1, 61.3, 61.5, 61, 61.53, 61.54,
119/61.55, 68, 72, 73, 74, 75, 78, 174
CPC . A01K 5/00; A01K 7/00; A01K 39/02; A01K
39/04; A01K 39/0213; A01K 5/0114;
A01K 5/0121; A01K 5/0135; A01K 7/005
See application file for complete search history.

The ornamental design for a bowl with connector, as shown
and described.

DESCRIPTION

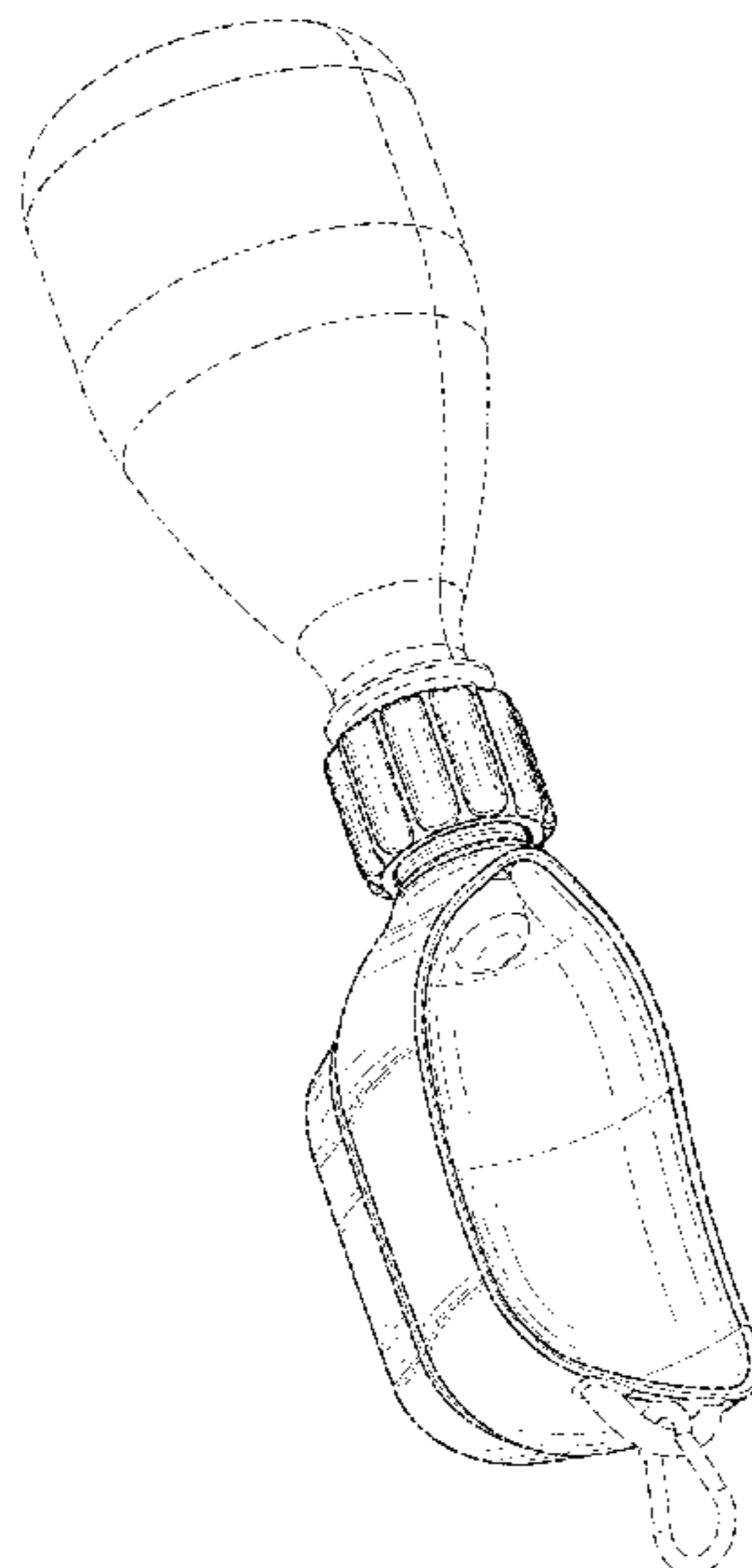
(56) **References Cited**

U.S. PATENT DOCUMENTS

5,636,592 A * 6/1997 Wechsler A01K 7/02
119/52.1
5,960,742 A * 10/1999 O'Rourke A01K 7/00
119/74
D423,736 S * 4/2000 O'Rourke D30/132
D468,489 S * 1/2003 Wechsler D30/132
7,490,577 B2 2/2009 Stephanos
8,464,660 B2 6/2013 Valeriano
D701,355 S * 3/2014 Yamasaki D30/132
D711,740 S * 8/2014 Lien D9/436
D741,025 S * 10/2015 Ross D30/132
D861,258 S * 9/2019 Liang D30/132
D871,839 S * 1/2020 Sun D7/507

FIG. 1 is a perspective view of a bowl with connector of my
new design;
FIG. 2 is a top view of the bowl with connector shown in
FIG. 1;
FIG. 3 is a bottom view of the bowl with connector shown
in FIG. 1;
FIG. 4 is a left side view of the bowl with connector shown
in FIG. 1;
FIG. 5 is a right side view of the bowl with connector shown
in FIG. 1;
FIG. 6 is a front view of the bowl with connector shown in
FIG. 1; and,
FIG. 7 is a rear view of the bowl with connector shown in
FIG. 1.
The broken lines shown illustrate environmental structure
that forms.

1 Claim, 7 Drawing Sheets



(56)

References Cited

U.S. PATENT DOCUMENTS

2007/0079762 A1* 4/2007 Stephanos A01K 7/00
119/74
2008/0087224 A1* 4/2008 Wechsler A01K 7/00
119/52.1
2010/0043716 A1* 2/2010 Klanke A01K 7/06
119/75
2012/0298045 A1* 11/2012 Wechsler A01K 7/00
119/52.1
2019/0216052 A1* 7/2019 Yang A01K 7/00
2021/0051920 A1* 2/2021 Xiao A45F 3/16
2021/0068367 A1* 3/2021 Gong A01K 7/00

OTHER PUBLICATIONS

“Drink and Buddy” available Nov. 2, 2017, [online], [site visited Sep. 21, 2021]. Retrieved from Internet, URL:<https://odditymall.com/drink-and-buddy-dog-water-bottle> (Year: 2017).*

“KeWoow Dog water bottle” available Sep. 7, 2021, [online], [site visited Sep. 21, 2021]. Retrieved from Internet, URL:<https://www.etsy.com/listing/998421788/kewoow-dog-water-bottle-complement-that> (Year: 2021).*

* cited by examiner



FIG. 1

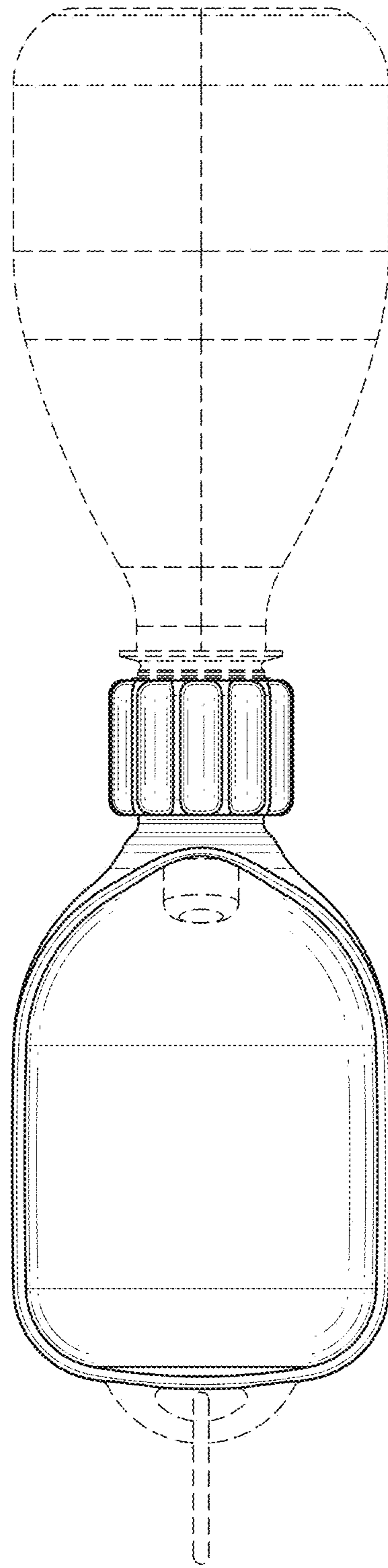


FIG. 2

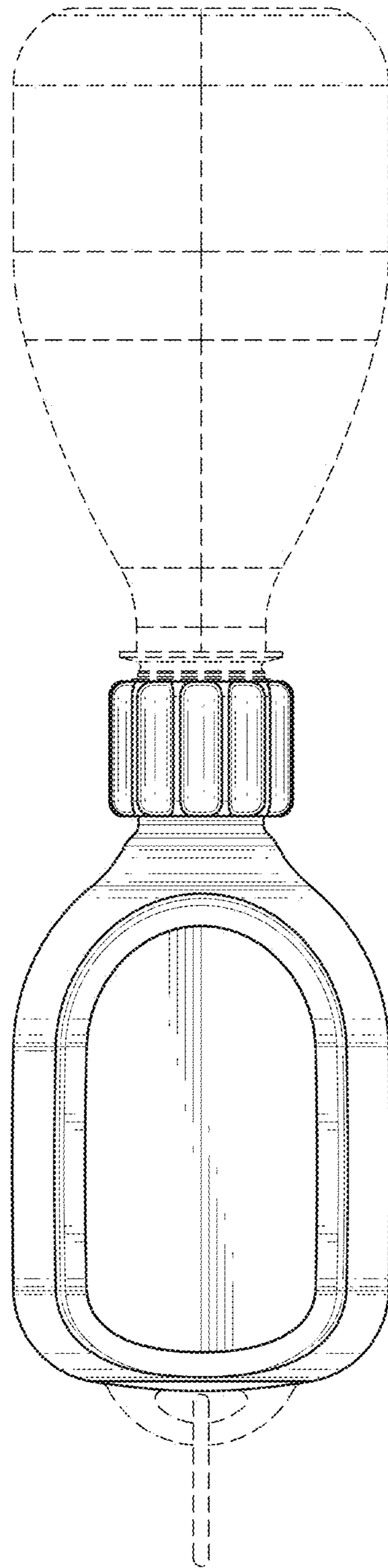


FIG. 3

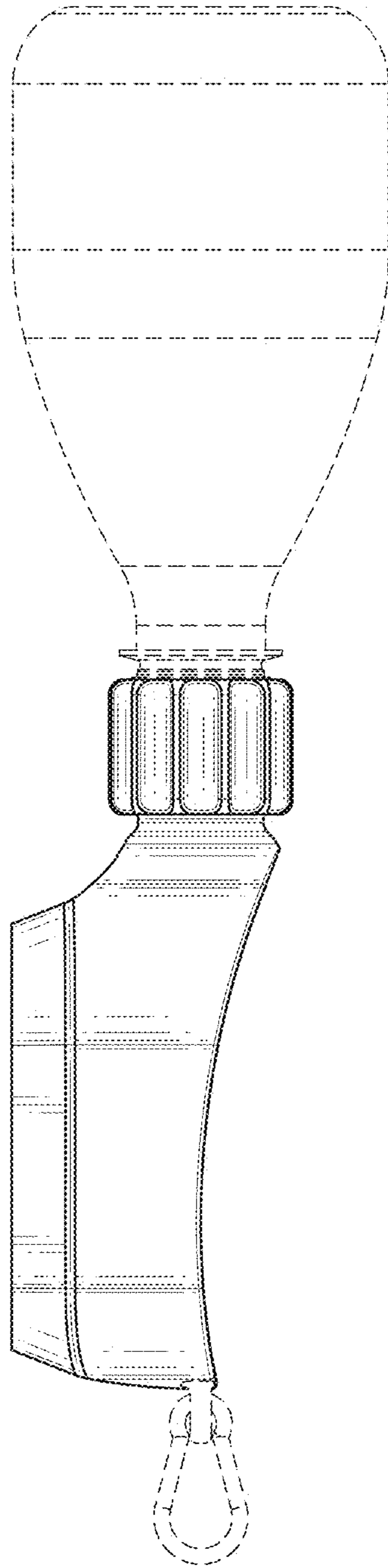


FIG. 4

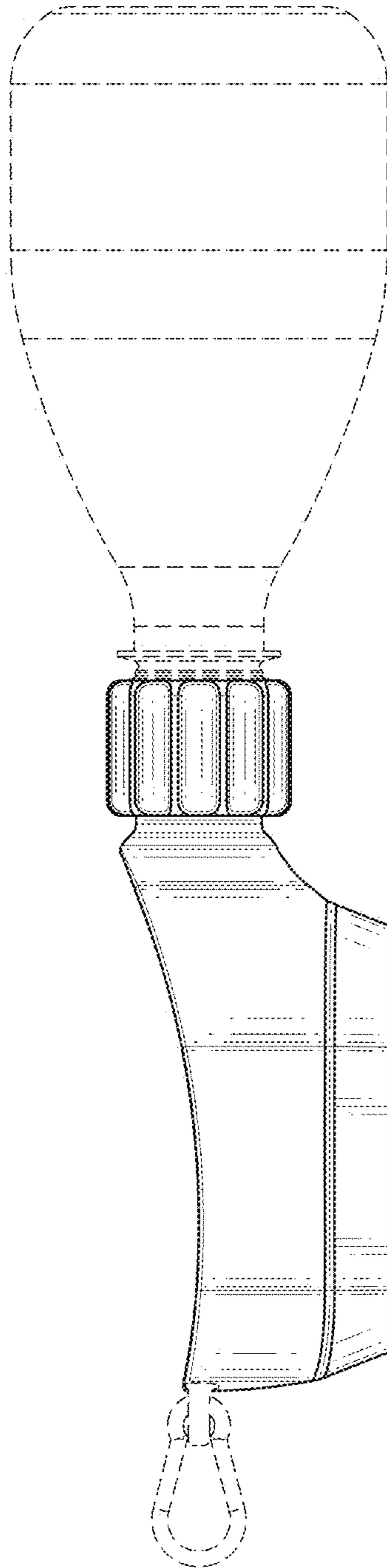


FIG. 5

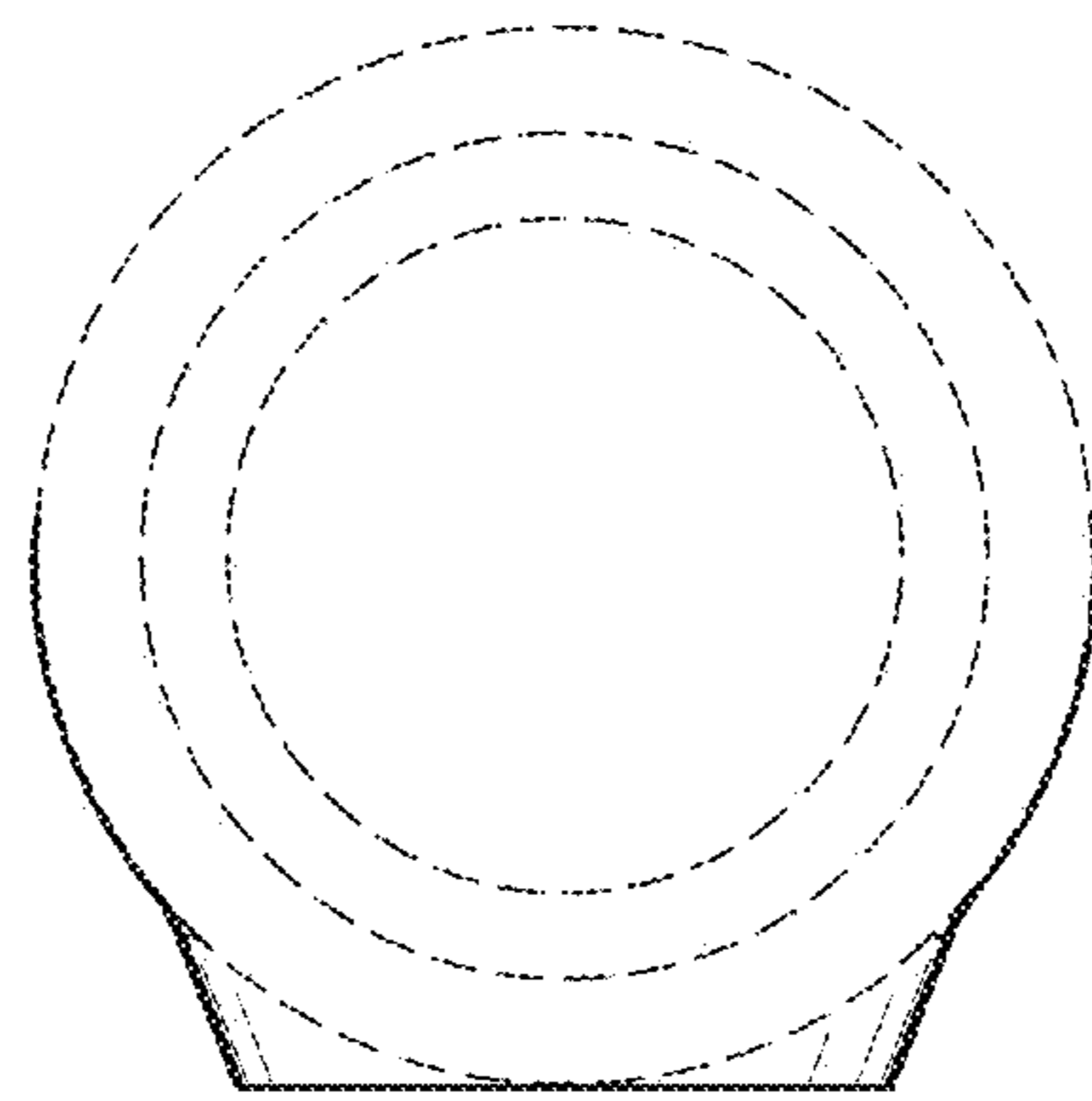


FIG. 6

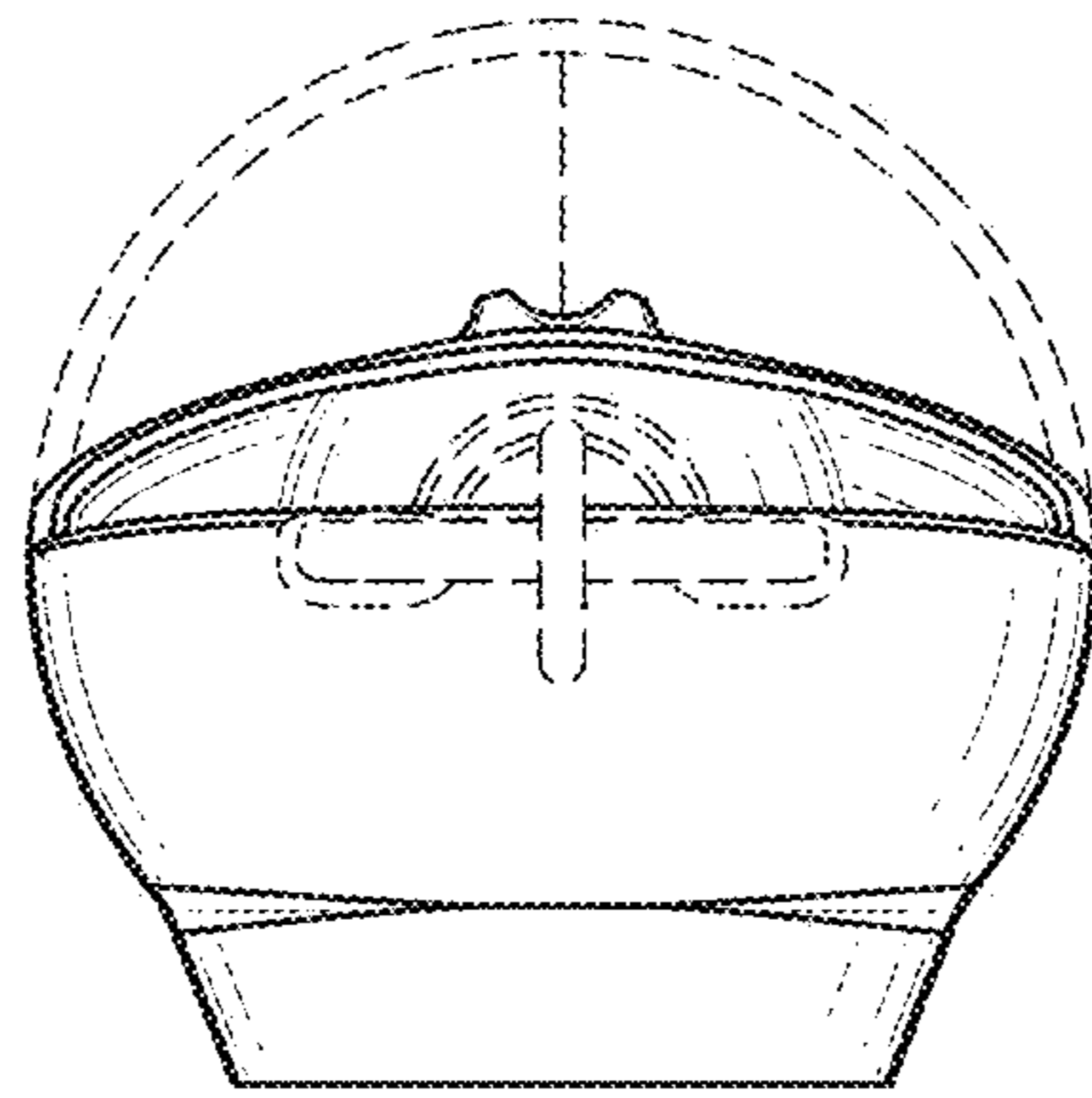


FIG. 7