



US00D948804S

(12) **United States Design Patent**
Penno

(10) **Patent No.:** **US D948,804 S**
(45) **Date of Patent:** **** Apr. 12, 2022**

(54) **EXPLOSION ISOLATION DEVICE FOR PIPES**

(71) Applicant: **Rembe GmbH Safety + Control**,
Brilon (DE)

(72) Inventor: **Stefan Penno**, Brilon (DE)

(73) Assignee: **Rembe GmbH Safety + Control**,
Brilon (DE)

(**) Term: **15 Years**

(21) Appl. No.: **29/688,669**

(22) Filed: **Apr. 23, 2019**

(30) **Foreign Application Priority Data**

Oct. 23, 2018 (EM) 005805397-0002

Oct. 23, 2018 (EM) 005805397-0004

(Continued)

(51) **LOC (13) Cl.** **29-01**

(52) **U.S. Cl.**
USPC **D29/125**

(58) **Field of Classification Search**
USPC D3/201, 203.1, 203.6, 203.7, 203.8, 247,
D3/248, 249, 303; D8/2, 21, 22, 23, 24,
(Continued)

(56) **References Cited**

U.S. PATENT DOCUMENTS

4,493,542 A * 1/1985 Ohmura G03B 17/04
396/424

D364,711 S * 11/1995 Fleming 169/52
(Continued)

OTHER PUBLICATIONS

Rembe, "Explosion Prevention", first available Mar. 2003. (https://www.rembe.us/fileadmin/produkte/explosionsschutz/GSME_Hotspot/Product_information_GSME_HOTSPOT.pdf) (Year: 2003).*

(Continued)

Primary Examiner — Lauren D McVey

Assistant Examiner — Justin A Johnson

(74) *Attorney, Agent, or Firm* — Edell, Shapiro & Finnan,
LLC

(57) **CLAIM**

The ornamental design for an explosion isolation device for pipes, as shown and described.

DESCRIPTION

FIG. 1 is a front elevation view of an explosion isolation device for pipes according to a first embodiment.

FIG. 2 is a rear elevation view of the explosion isolation device for pipes of FIG. 1.

FIG. 3 is a left side elevation view of the explosion isolation device for pipes of FIG. 1.

FIG. 4 is a right side elevation view of the explosion isolation device for pipes of FIG. 1.

FIG. 5 is a top plan view of the explosion isolation device for pipes of FIG. 1.

FIG. 6 is a bottom plan view of the explosion isolation device for pipes of FIG. 1.

FIG. 7 is a front, left perspective view from above of the explosion isolation device for pipes of FIG. 1.

FIG. 8 is a rear, right perspective view from below of the explosion isolation device for pipes of FIG. 1.

FIG. 9 is a front elevation view of an explosion isolation device for pipes according to a second embodiment.

FIG. 10 is a rear elevation view of the explosion isolation device for pipes of FIG. 9.

FIG. 11 is a left side elevation view of the explosion isolation device for pipes of FIG. 9.

FIG. 12 is a right side elevation view of the explosion isolation device for pipes of FIG. 9.

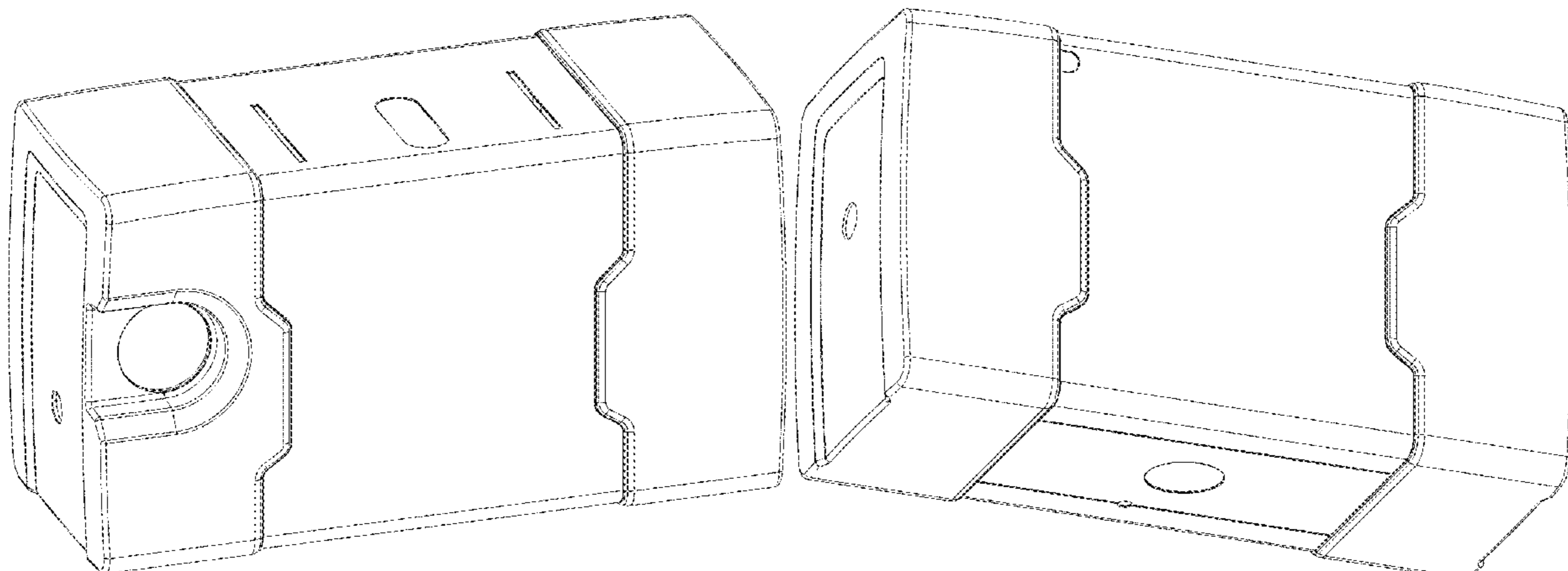
FIG. 13 is a top plan view of the explosion isolation device for pipes of FIG. 9.

FIG. 14 is a bottom plan view of the explosion isolation device for pipes of FIG. 9.

FIG. 15 is a front, left perspective view from above of the explosion isolation device for pipes of FIG. 9; and,

FIG. 16 is a rear, right perspective view from below of the explosion isolation device for pipes of FIG. 9.

(Continued)



The broken lines illustrate portions of the explosion isolation device for pipes and form no part of the claimed design.

F23N 2005/181; F23N 2005/182; F23N 5/184; F23N 2005/185; F23N 5/187; F23N 5/188

1 Claim, 8 Drawing Sheets

See application file for complete search history.

(30) **Foreign Application Priority Data**

Oct. 23, 2018 (EM) 005805397-0006
 Oct. 23, 2018 (EM) 005805397-0008
 Oct. 23, 2018 (EM) 005805397-0010

(58) **Field of Classification Search**

USPC D8/25, 26, 27, 28, 29, 71, 72, 107, 30, D8/303, 306, 349, 354, 355, 356, 382, D8/394, 395, 396, 397, 398, 499; D29/124, 125, 126, 128, 129, 130
 CPC .. A61F 17/00; A62B 1/00; A62B 1/08; A62B 1/10; A62B 1/12; A62B 1/14; A62B 1/16; A62B 1/18; A62B 1/20; A62B 17/00; A62B 25/00; A62B 25/005; A62C 2/00; A62C 3/00; A62C 3/07; A62C 8/00; A62C 11/00; A62C 11/005; A62C 13/00; A62C 13/003; A62C 13/006; A62C 13/02; A62C 13/04; A62C 13/06; A62C 13/08; A62C 13/10; A62C 13/12; A62C 13/14; A62C 13/16; A62C 13/18; A62C 13/20; A62C 13/22; A62C 13/62; A62C 13/64; A62C 13/66; A62C 13/68; A62C 13/70; A62C 13/72; A62C 13/74; A62C 13/76; A62C 13/78; A62C 35/20; A62C 99/00; A62C 99/0009; A62C 99/0018; A62C 99/0027; A62C 99/0036; A62C 99/0045; A62C 99/0054; A62C 99/0063; A62C 99/0072; A62C 99/0081; A62C 99/009; B60R 2011/0071; F23N 5/18;

(56) **References Cited**

U.S. PATENT DOCUMENTS

6,554,497 B2 * 4/2003 Kobayashi G03B 17/04 396/348
 D551,847 S * 10/2007 Yeap B65D 25/20 D3/201
 D866,913 S * 11/2019 Xu F16K 17/28 D99/28
 D901,090 S * 11/2020 Penno D29/125
 D904,724 S * 12/2020 Zhang D99/28
 2004/0061085 A1 * 4/2004 Sidler F16K 3/0281 251/62
 2010/0126431 A1 * 5/2010 Kanda F23D 23/00 122/14.21
 2016/0377225 A1 * 12/2016 Leibowits F16M 11/18 248/323
 2020/0263797 A1 * 8/2020 May F16K 17/28
 2020/0292170 A1 * 9/2020 Conrads F23D 1/00
 2020/0407070 A1 * 12/2020 Rushin B65D 25/20

OTHER PUBLICATIONS

Twitter, "REMBE", first available May 30, 2019. (https://twitter.com/REMBE_GMBH/status/1133953383533031425) (Year: 2019).*
 Renbe, "Rembe Explosion Safety", first available May 11, 2019. (https://www.rembe.us/fileadmin/redaktion/Company/RIN/Broschueren/REMBE_Explosion_Safety_US.pdf) (Year: 2019).*
 CV Technology, "Explosion Isolation", first available Oct. 24, 2020. (<https://web.archive.org/web/20201024000053/https://cvtechnology.com/explosion/isolation/>) (Year: 2020).*
 Red Dot, "Exkop Qv-II", first accessed Feb. 23, 2021. (<https://www.red-dot.org/project/exkop-qv-ii-45810>) (Year: 2021).*

* cited by examiner

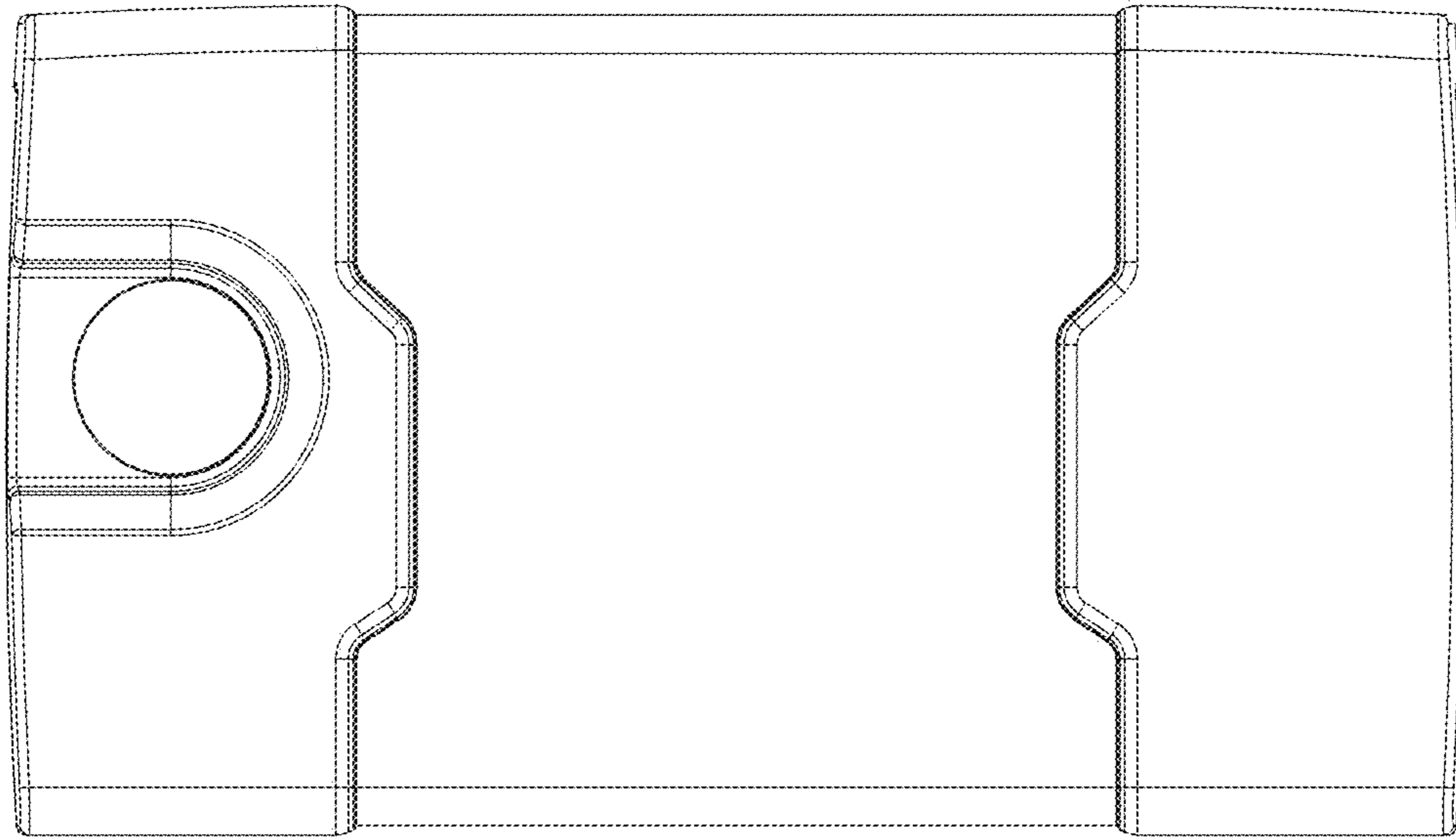


FIG.1

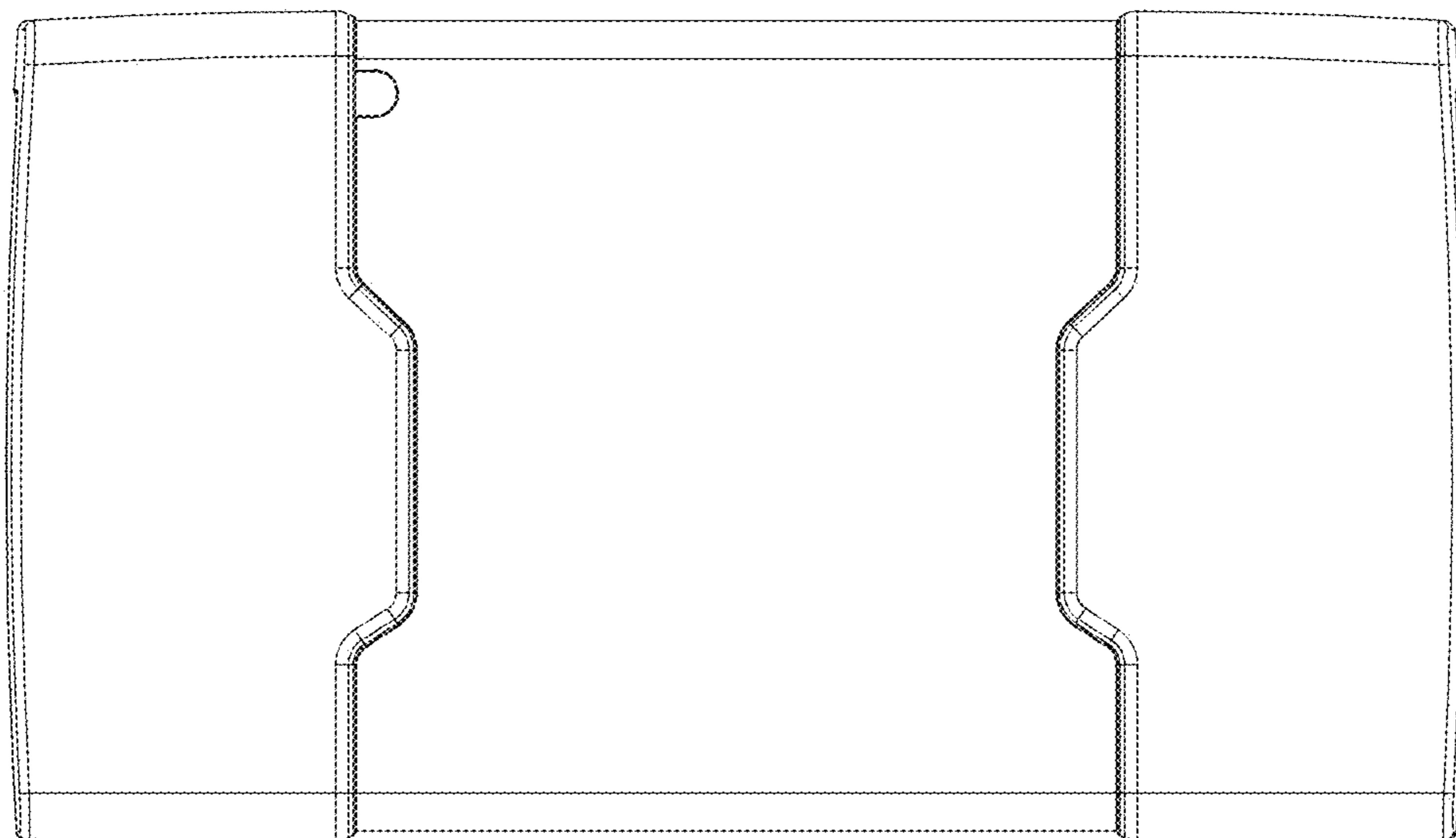


FIG.2

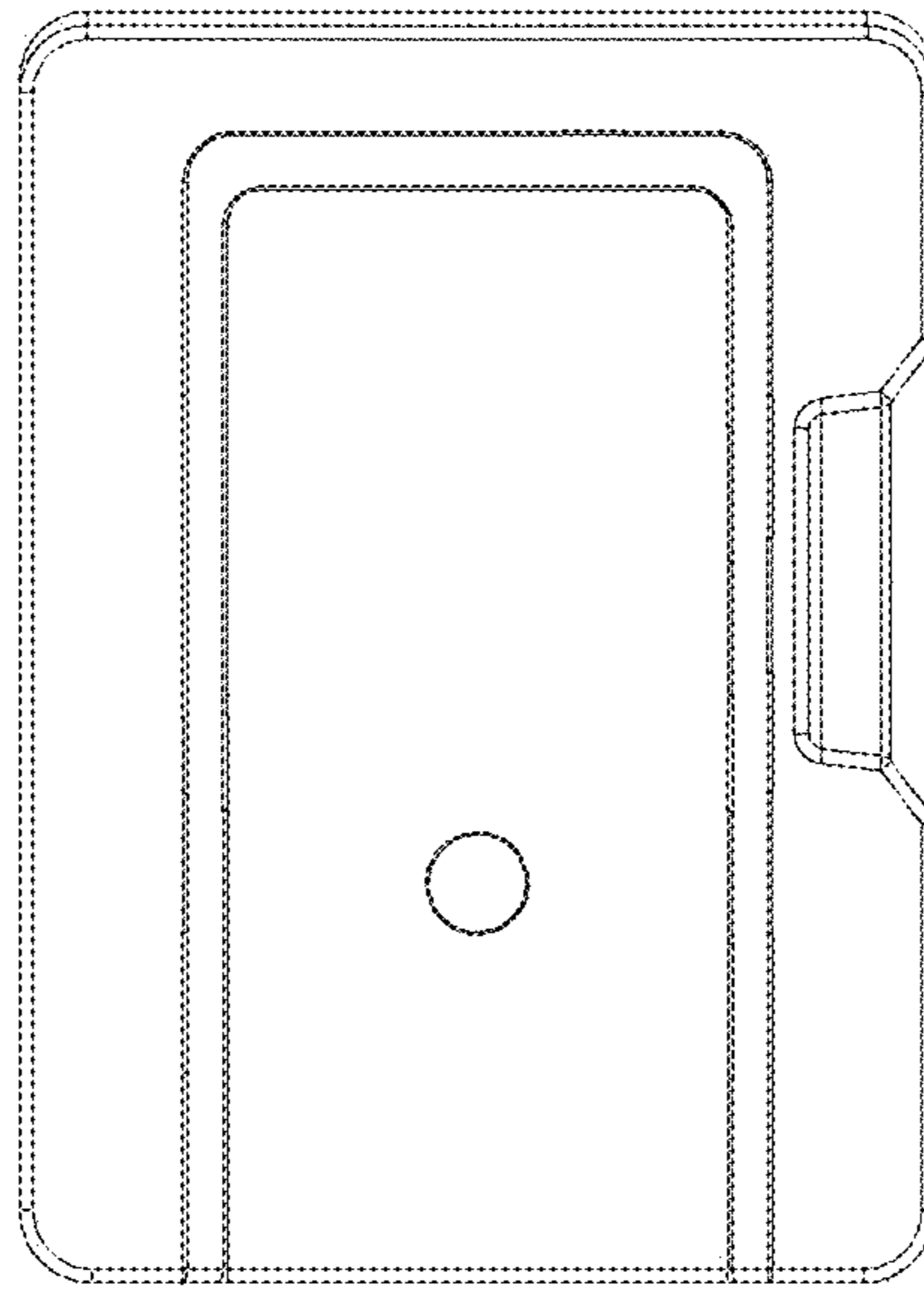


FIG.3

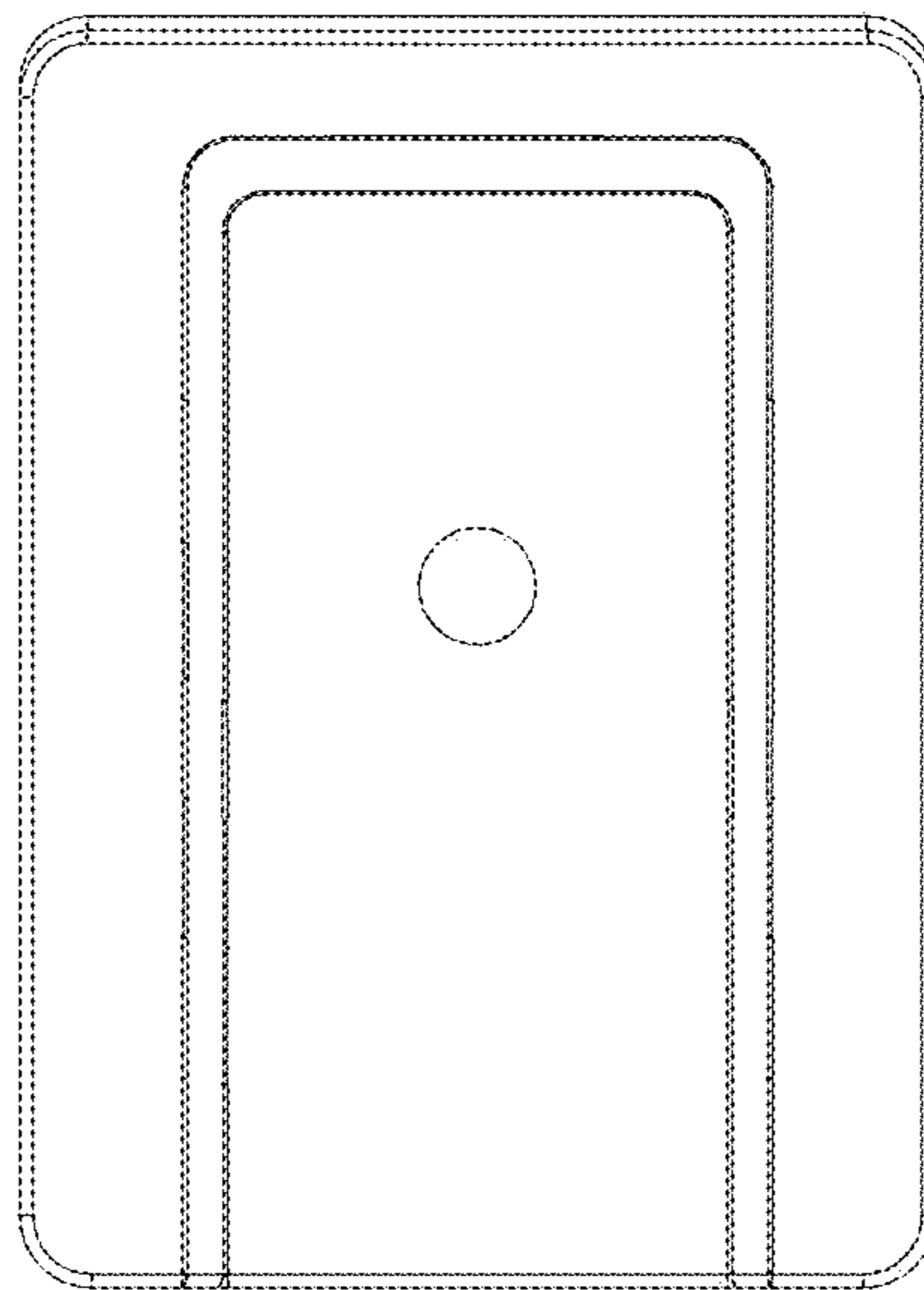


FIG.4

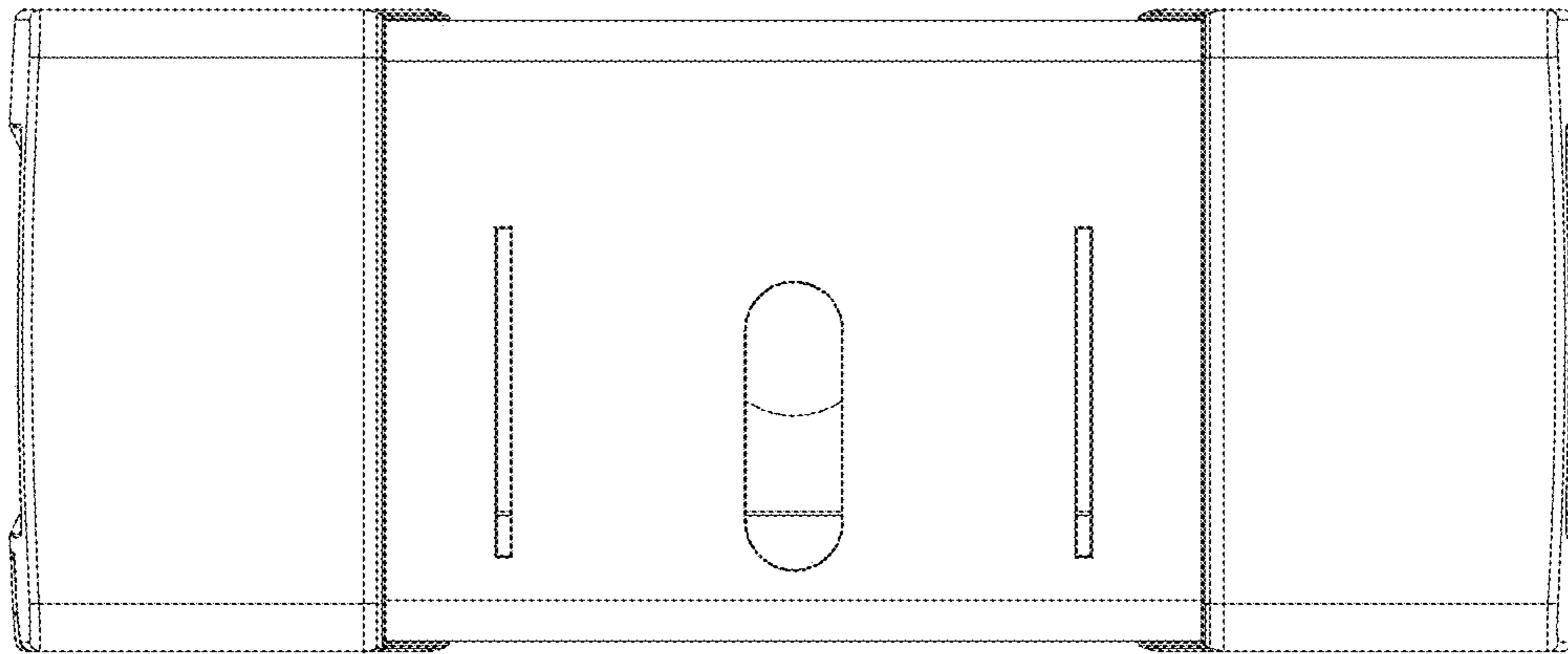


FIG.5

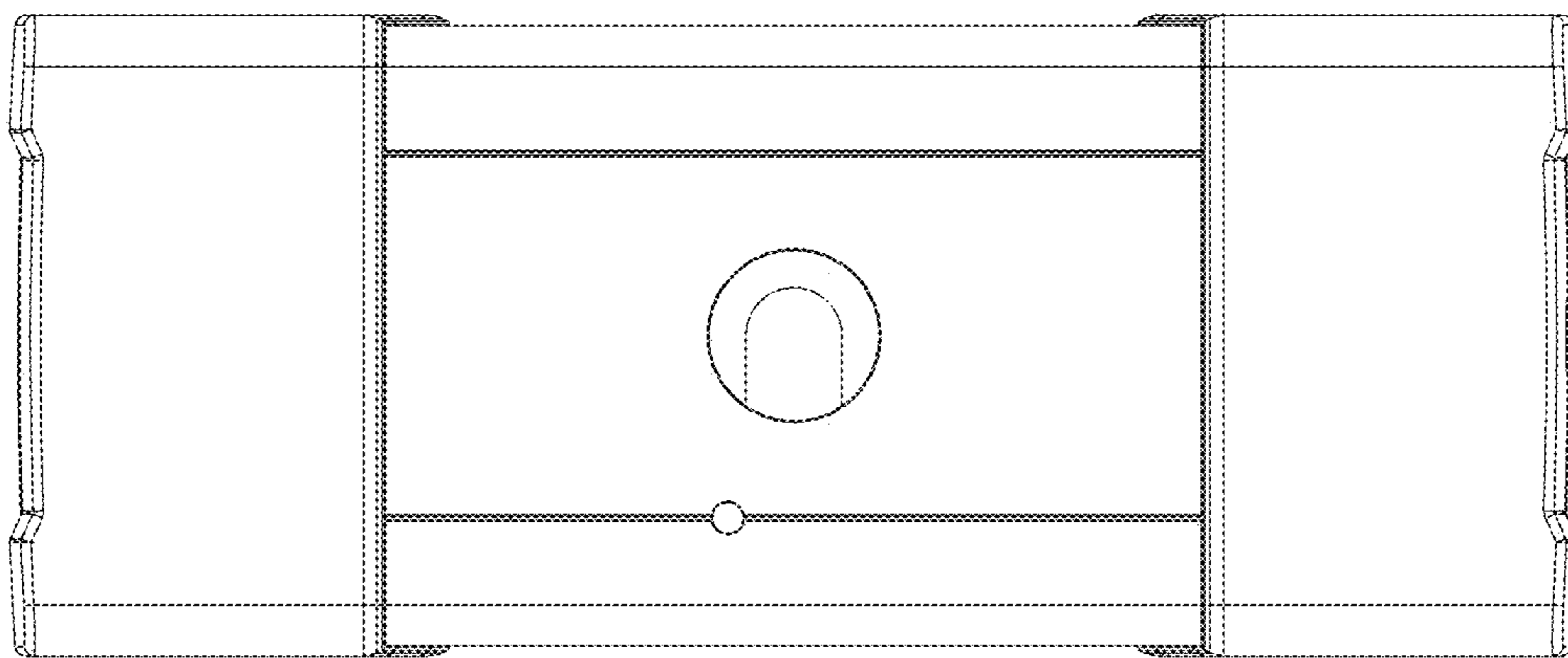


FIG.6

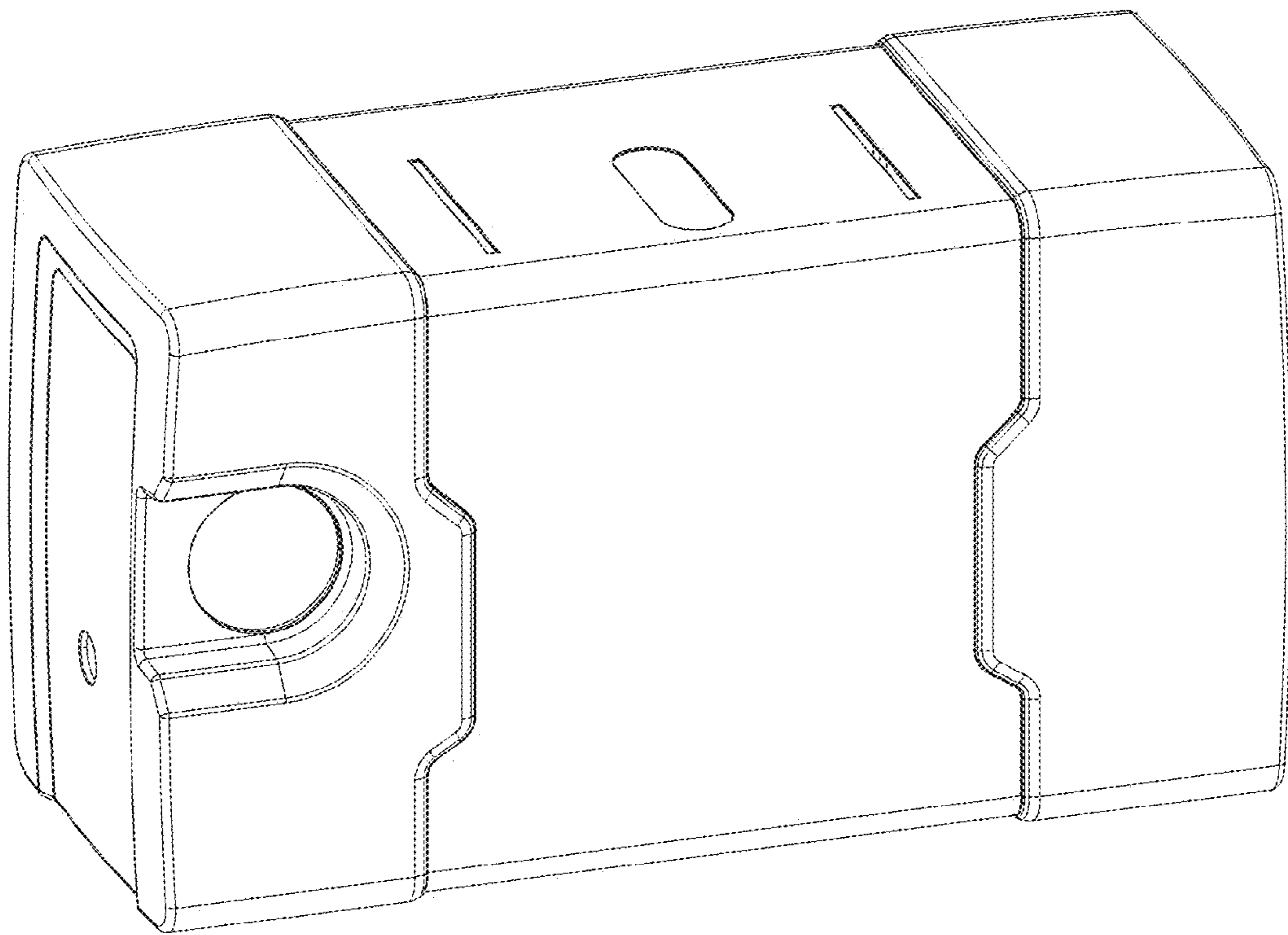


FIG. 7

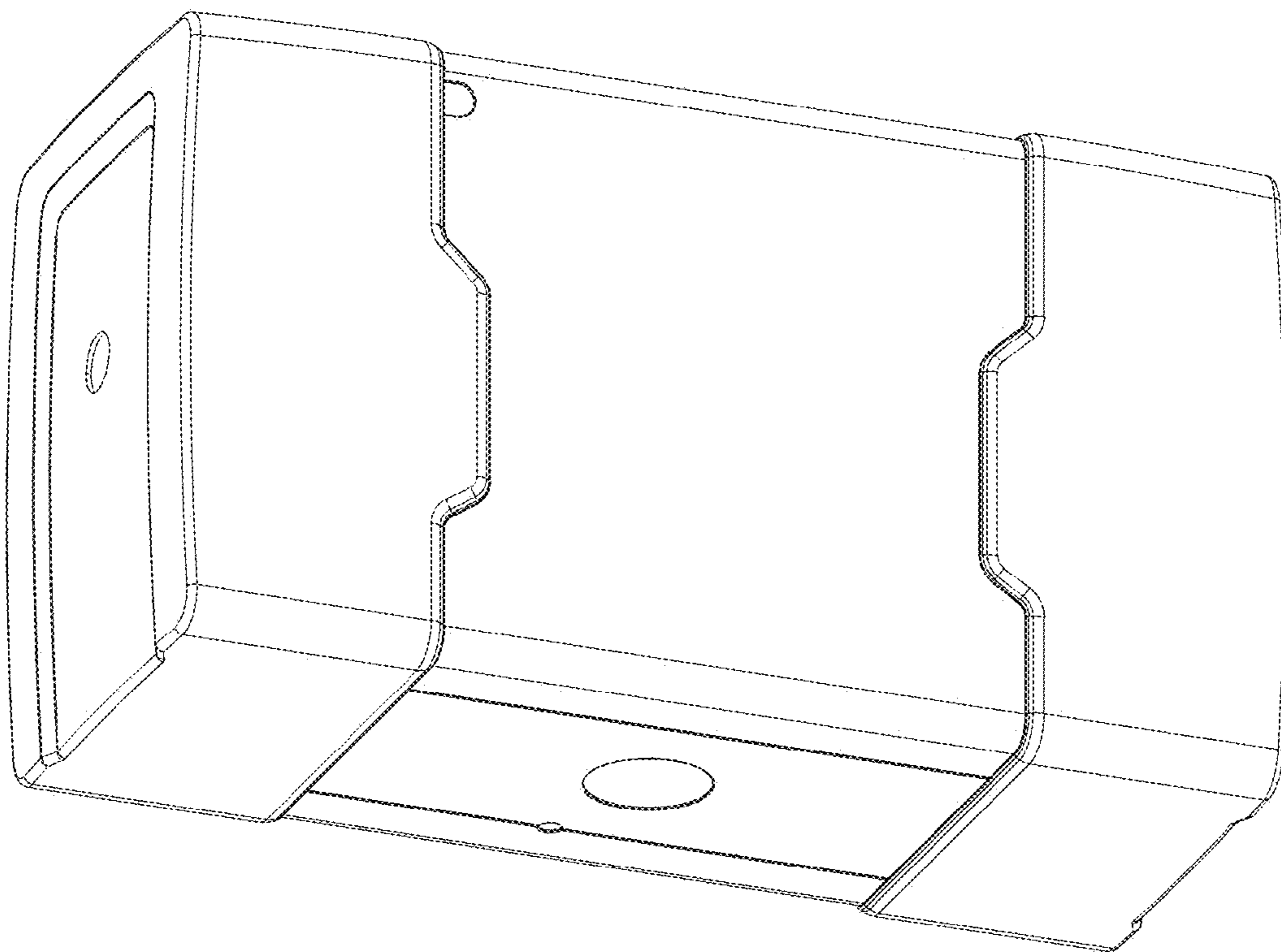


FIG. 8

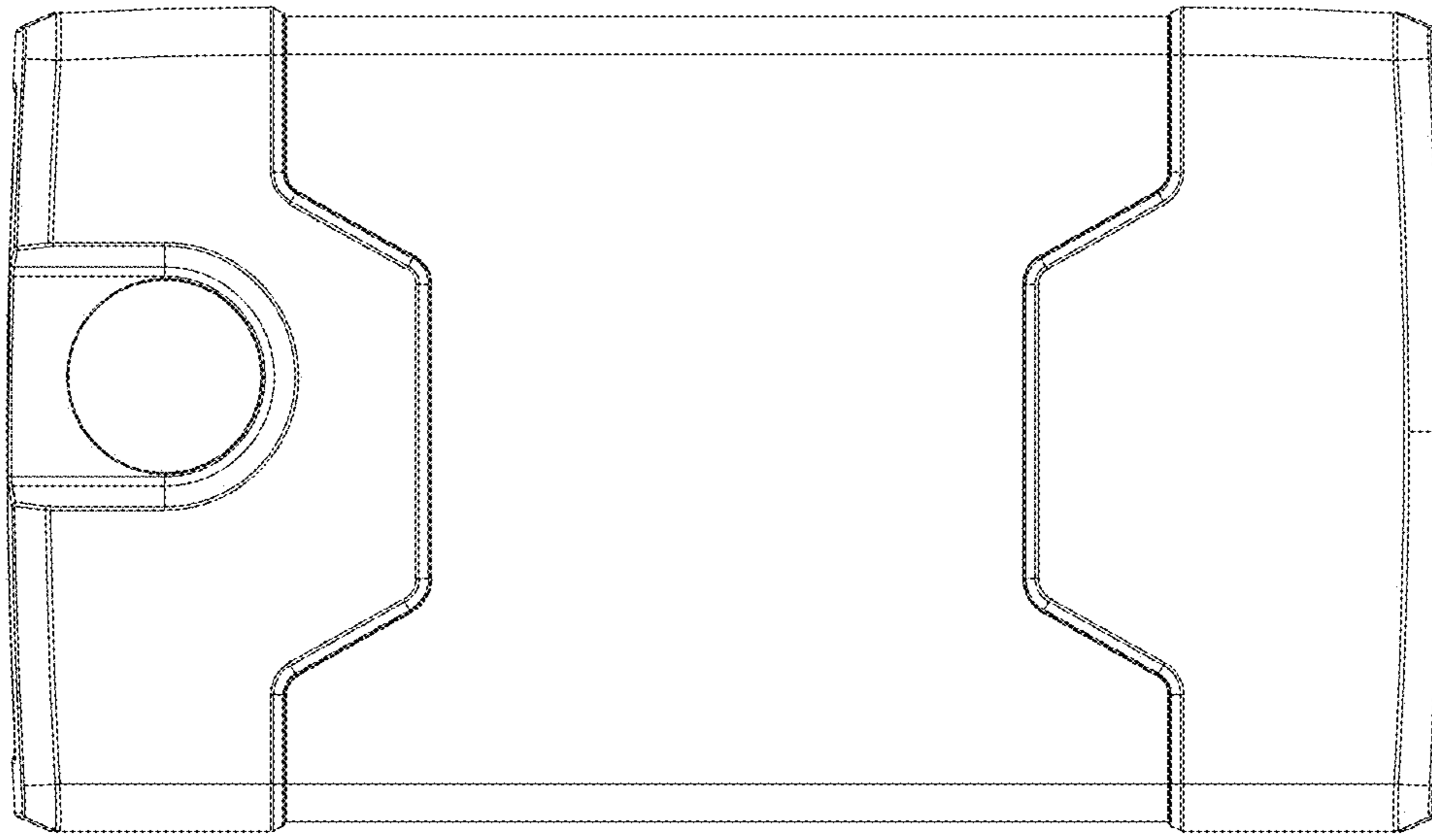


FIG.9

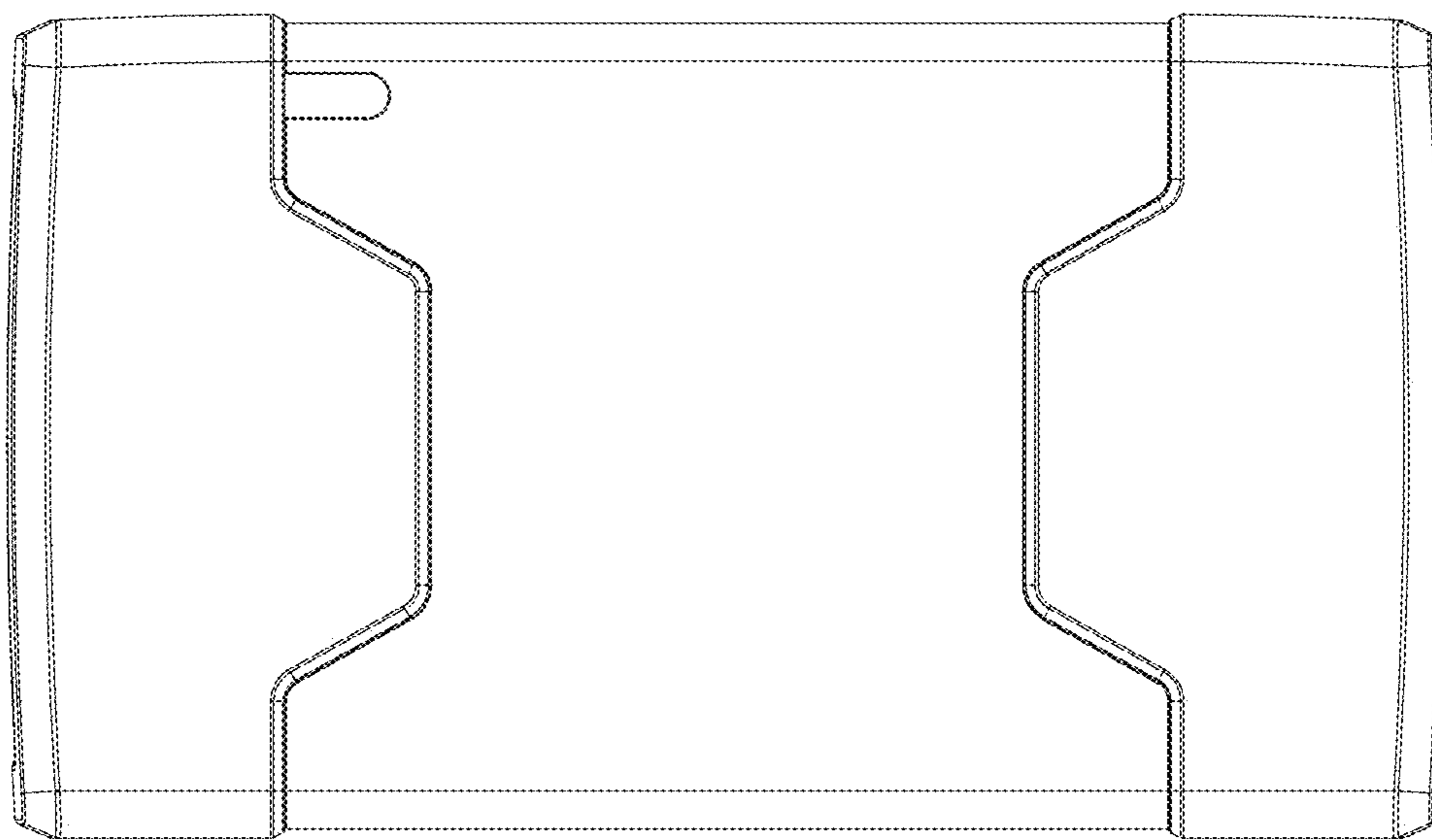


FIG.10

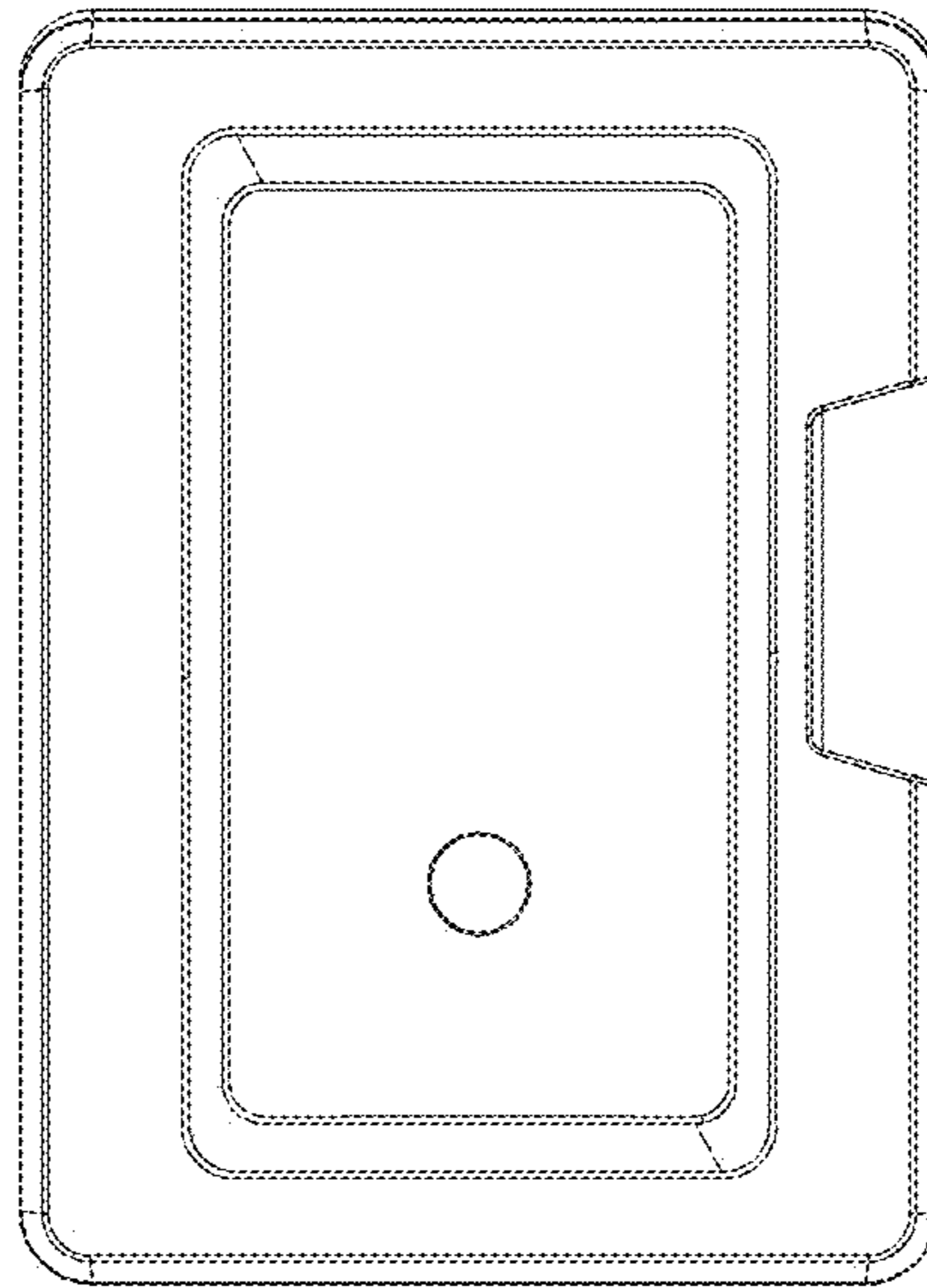


FIG.11

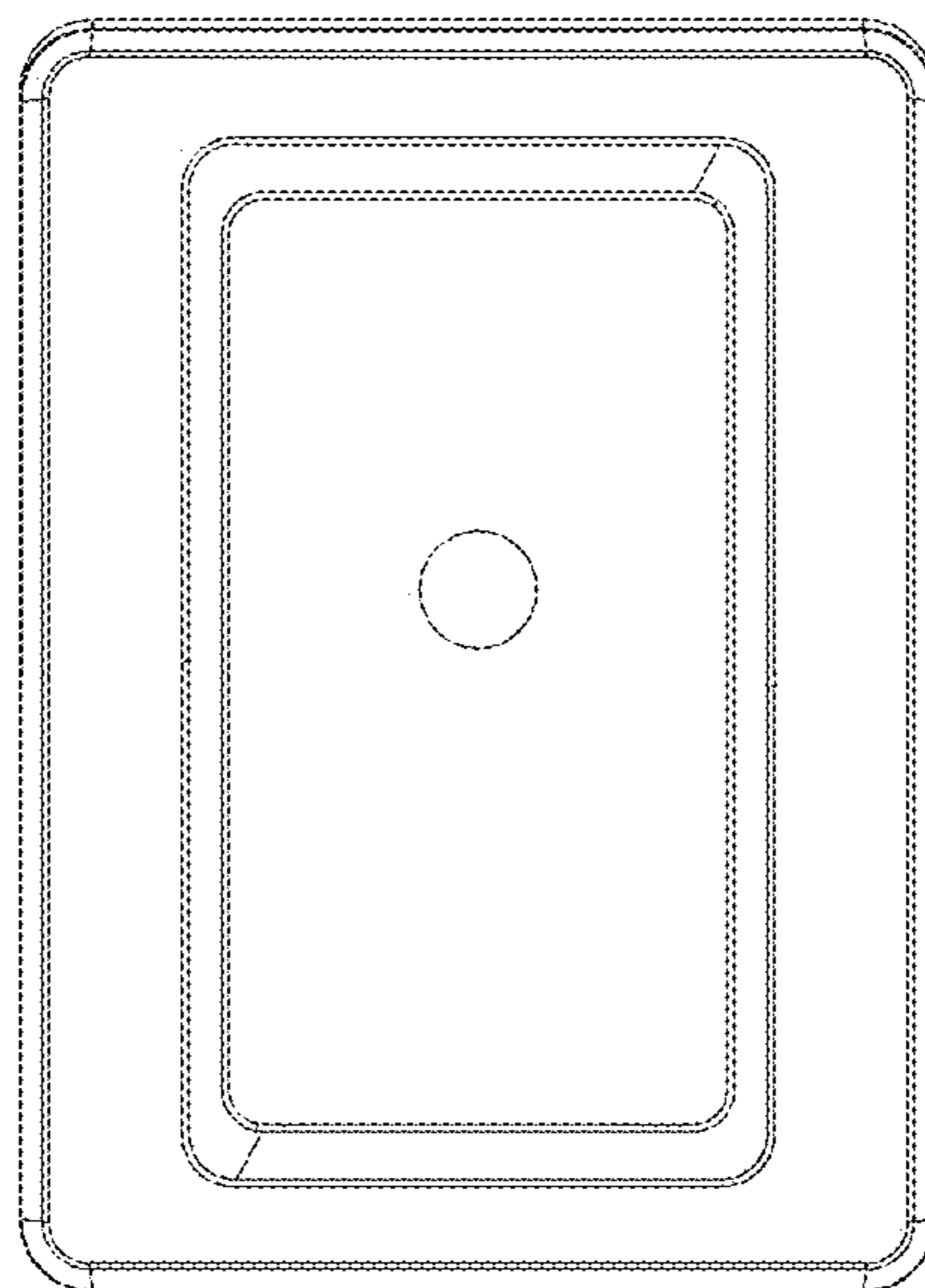


FIG.12

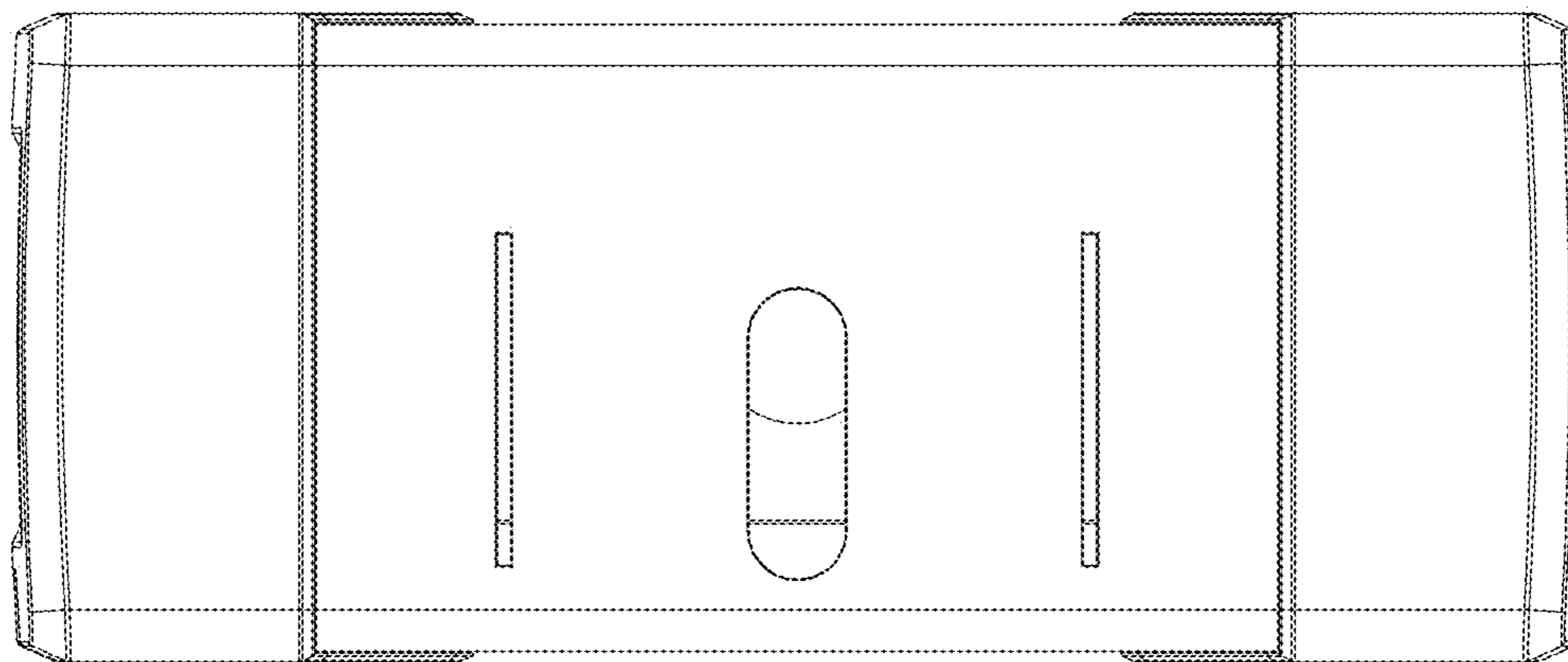


FIG.13

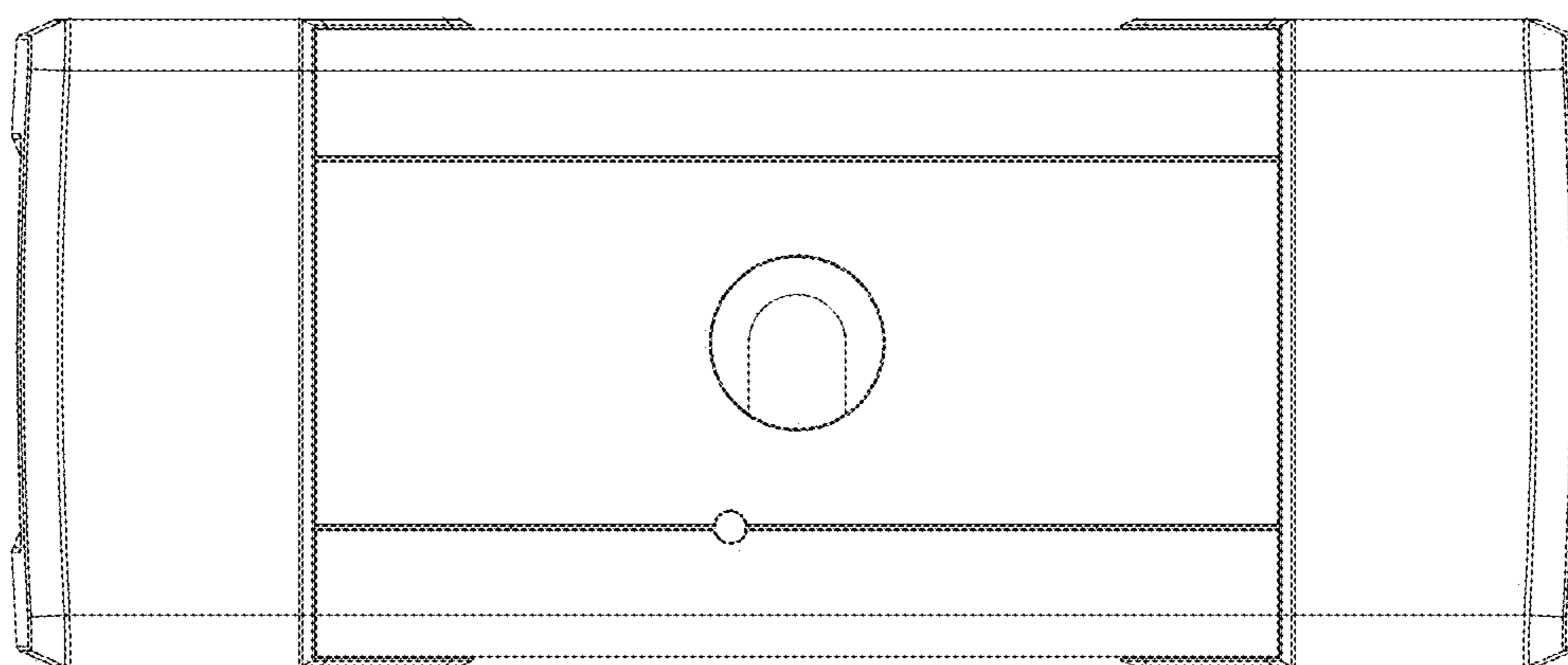


FIG.14

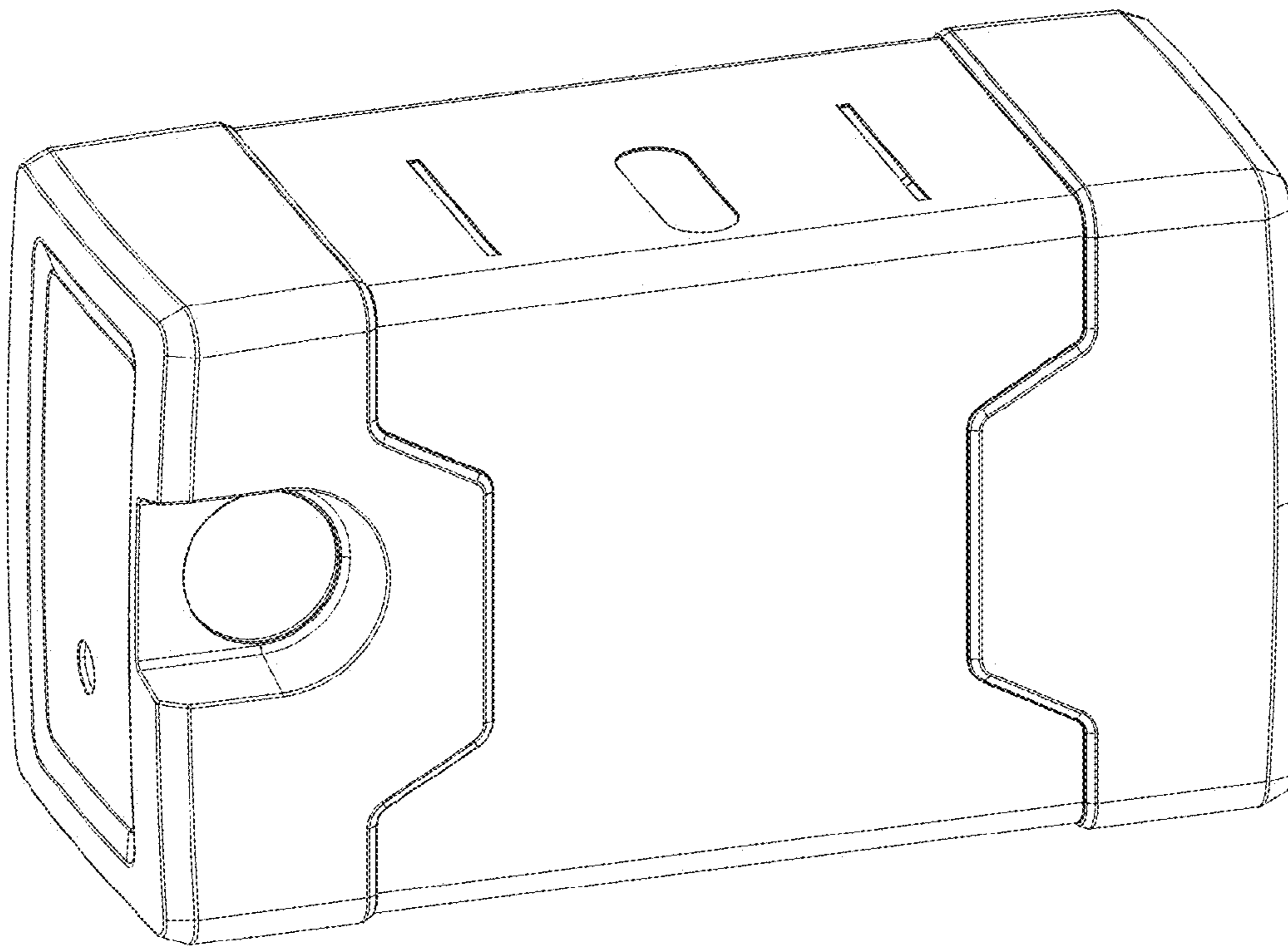


FIG.15

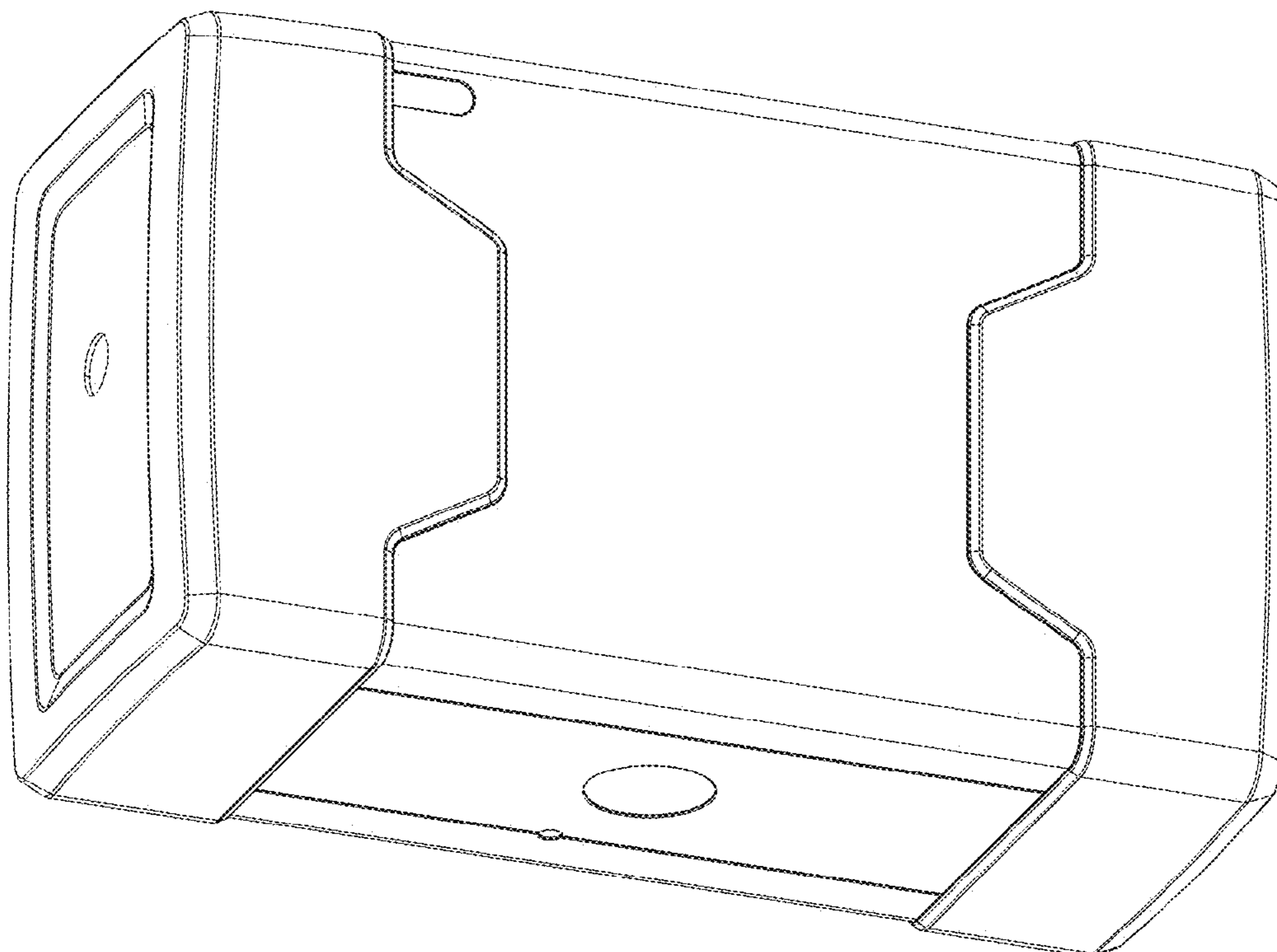


FIG.16