



US00D948802S

(12) **United States Design Patent**
Ruiz Maza Gunter

(10) **Patent No.:** **US D948,802 S**
(45) **Date of Patent:** **** Apr. 12, 2022**

(54) **FACIAL MASK SUPPORT**
(71) Applicant: **Juan Jose Ruiz Maza Gunter,**
Guanajuato (MX)
(72) Inventor: **Juan Jose Ruiz Maza Gunter,**
Guanajuato (MX)
(**) Term: **15 Years**
(21) Appl. No.: **29/734,258**
(22) Filed: **May 11, 2020**
(51) **LOC (13) Cl.** **02-99**
(52) **U.S. Cl.**
USPC **D29/122; D29/110**
(58) **Field of Classification Search**
USPC D29/107, 108, 110, 122; D24/110,
D24/110.1, 110.2
CPC A41D 13/11; A41D 13/1107; A41D
13/1161; A41D 13/1184; A41D 13/1218;
A62B 18/02; A42B 3/26; A42B 3/04;
A42B 3/22; A42B 3/28; A61F 9/02; A61F
9/027
See application file for complete search history.

(56) **References Cited**

U.S. PATENT DOCUMENTS

797,293 A * 8/1905 Lang et al. G02C 7/16
2/12
2,610,323 A * 9/1952 Johnson A61F 9/025
2/8.1
3,686,690 A * 8/1972 Webb A41D 13/1184
2/9
D227,819 S * 7/1973 Kotzar D29/110
D228,700 S * 10/1973 Gager, Jr. D29/110
D311,262 S * 10/1990 Curry D29/110
D361,160 S * 8/1995 Russell A41D 13/1184
D29/110
D362,086 S * 9/1995 Russell A41D 13/1184
D29/110

5,647,060 A * 7/1997 Lee A41D 13/1184
2/9
5,732,410 A * 3/1998 Machson A61F 9/02
2/9
5,862,530 A * 1/1999 Shillington A41D 13/1184
2/439
D454,667 S * 3/2002 Chartrand D29/110
7,272,860 B2 * 9/2007 Vega A41D 13/1184
2/9
D565,637 S * 4/2008 Estrem D16/330
D565,638 S * 4/2008 Estrem D16/330
D652,574 S * 1/2012 Stoll D29/108
D662,672 S * 6/2012 Carlborg D29/122
8,756,715 B1 * 6/2014 Moffitt, Jr. A42B 3/24
2/171.3
10,293,194 B2 * 5/2019 Twu A62B 18/006
D899,001 S * 10/2020 Whitehead D29/110
D899,700 S * 10/2020 Whitehead A41D 13/1184
D29/110
D908,973 S * 1/2021 Rybak D29/110
D914,293 S * 3/2021 Roth D29/110

(Continued)

Primary Examiner — Kimberly Barnes
(74) *Attorney, Agent, or Firm* — Hogle & Pamias,
PSC; Roberto J. Rios

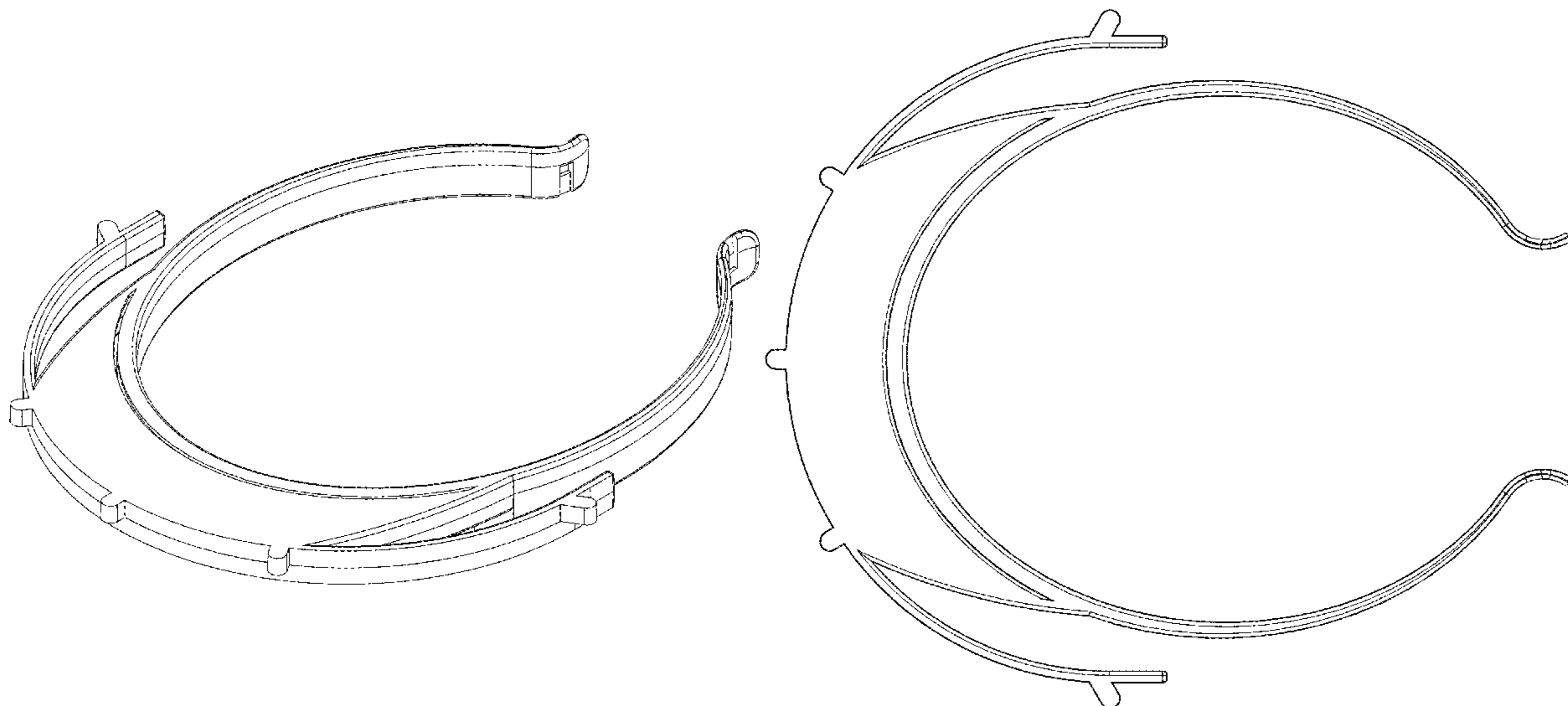
(57) **CLAIM**

The ornamental design for a facial mask support, as shown and described.

DESCRIPTION

FIG. 1 is a top front right perspective view of a facial mask support showing my new design, the top front left perspective view being a mirror image thereof; FIG. 2 is a front view of FIG. 1; FIG. 3 is a rear view of FIG. 1; FIG. 4 is a right view of FIG. 1; FIG. 5 is a left view of FIG. 1; FIG. 6 is a top view of FIG. 1; and, FIG. 7 is a bottom view of FIG. 1.

1 Claim, 7 Drawing Sheets



(56)

References Cited

U.S. PATENT DOCUMENTS

D914,294 S * 3/2021 Evans D29/110
D914,295 S * 3/2021 Evans D29/110

* cited by examiner

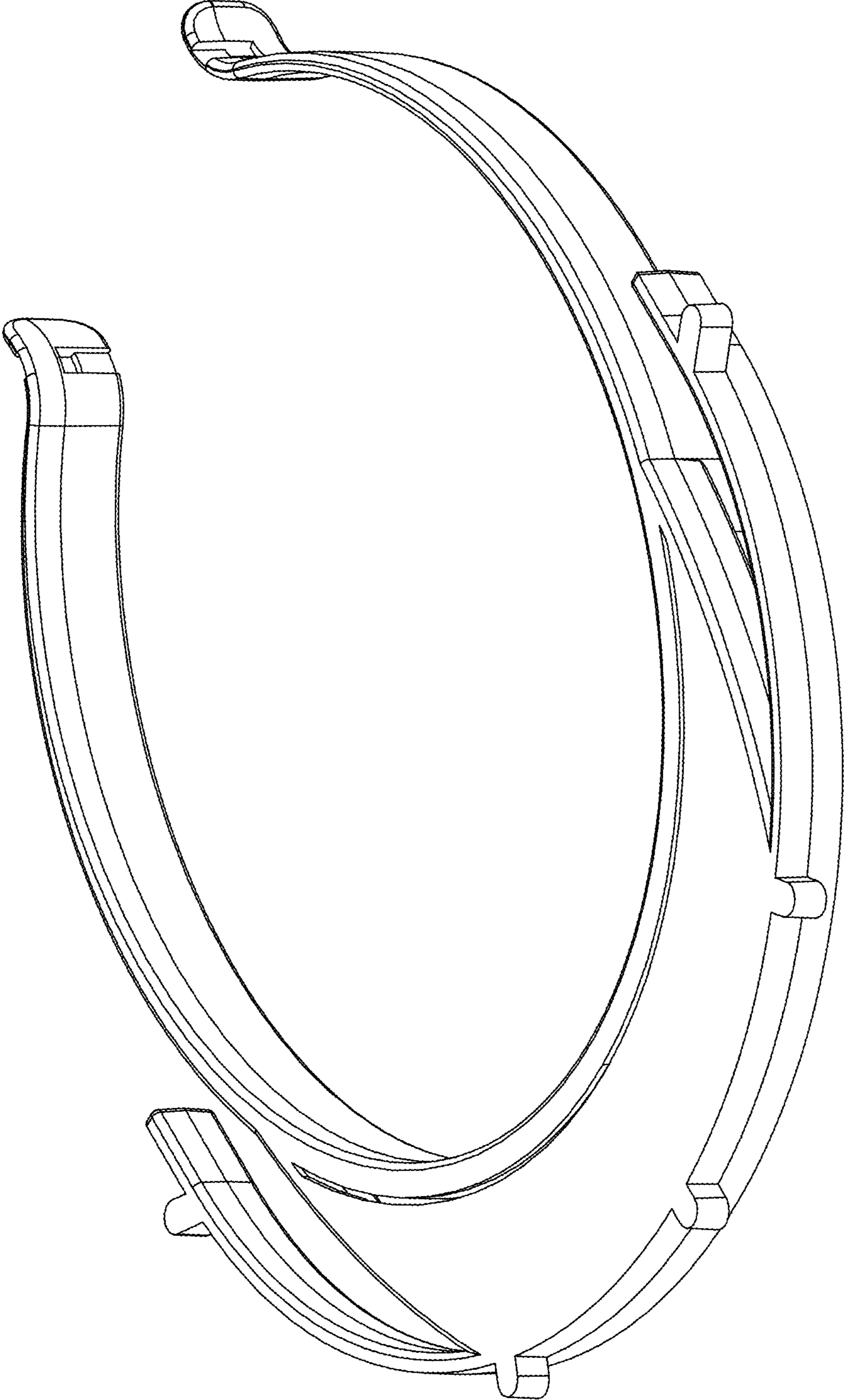


FIG. 1

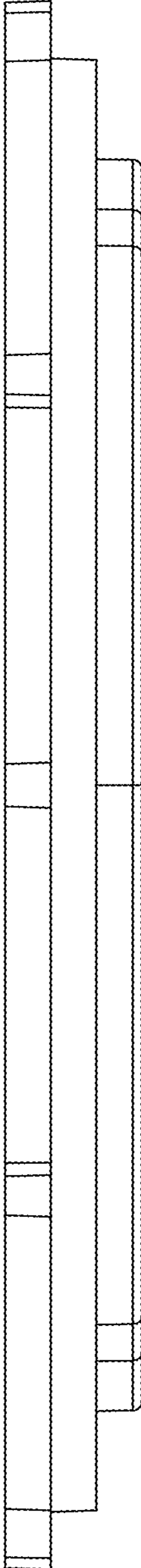


FIG. 2

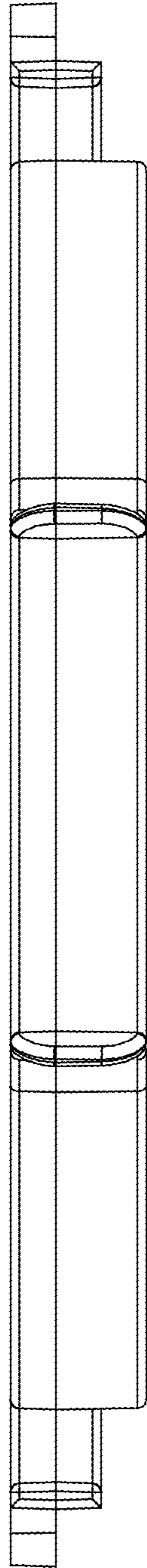


FIG. 3

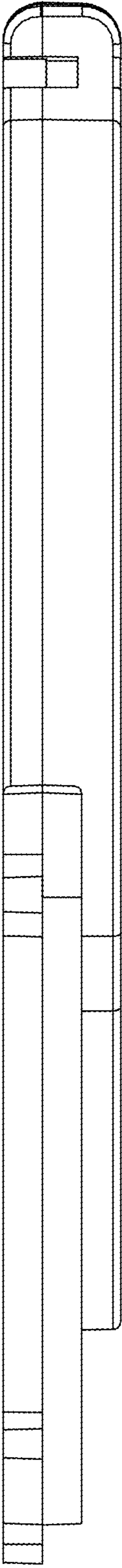


FIG. 4

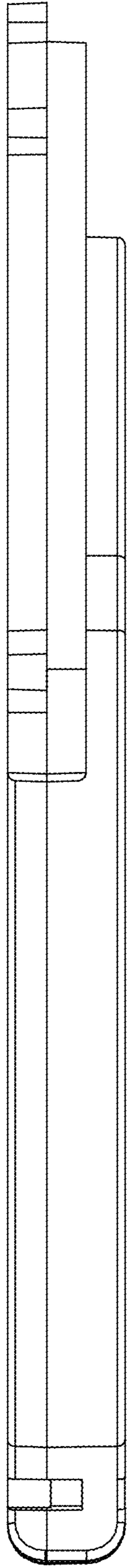


FIG. 5

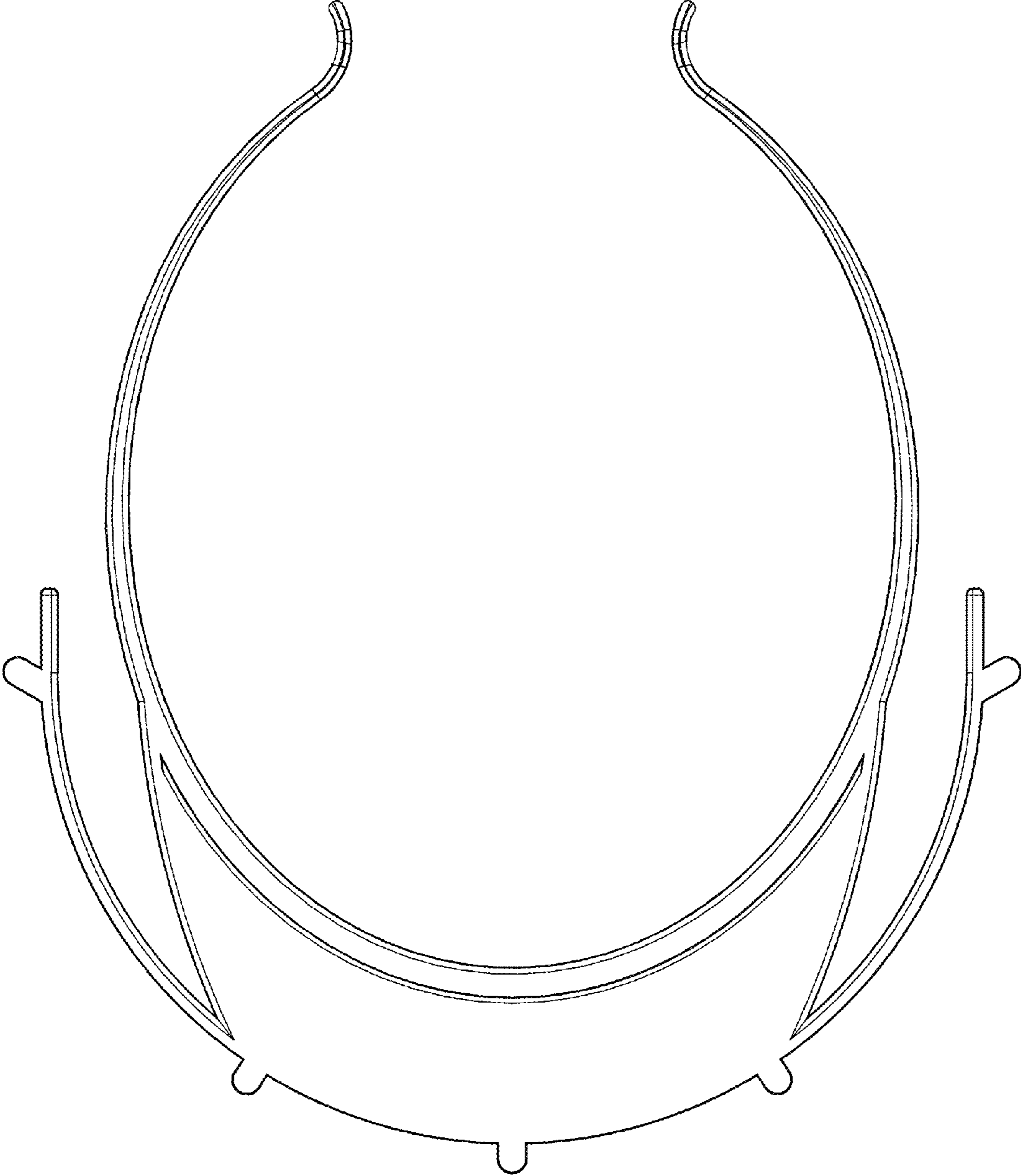


FIG. 6

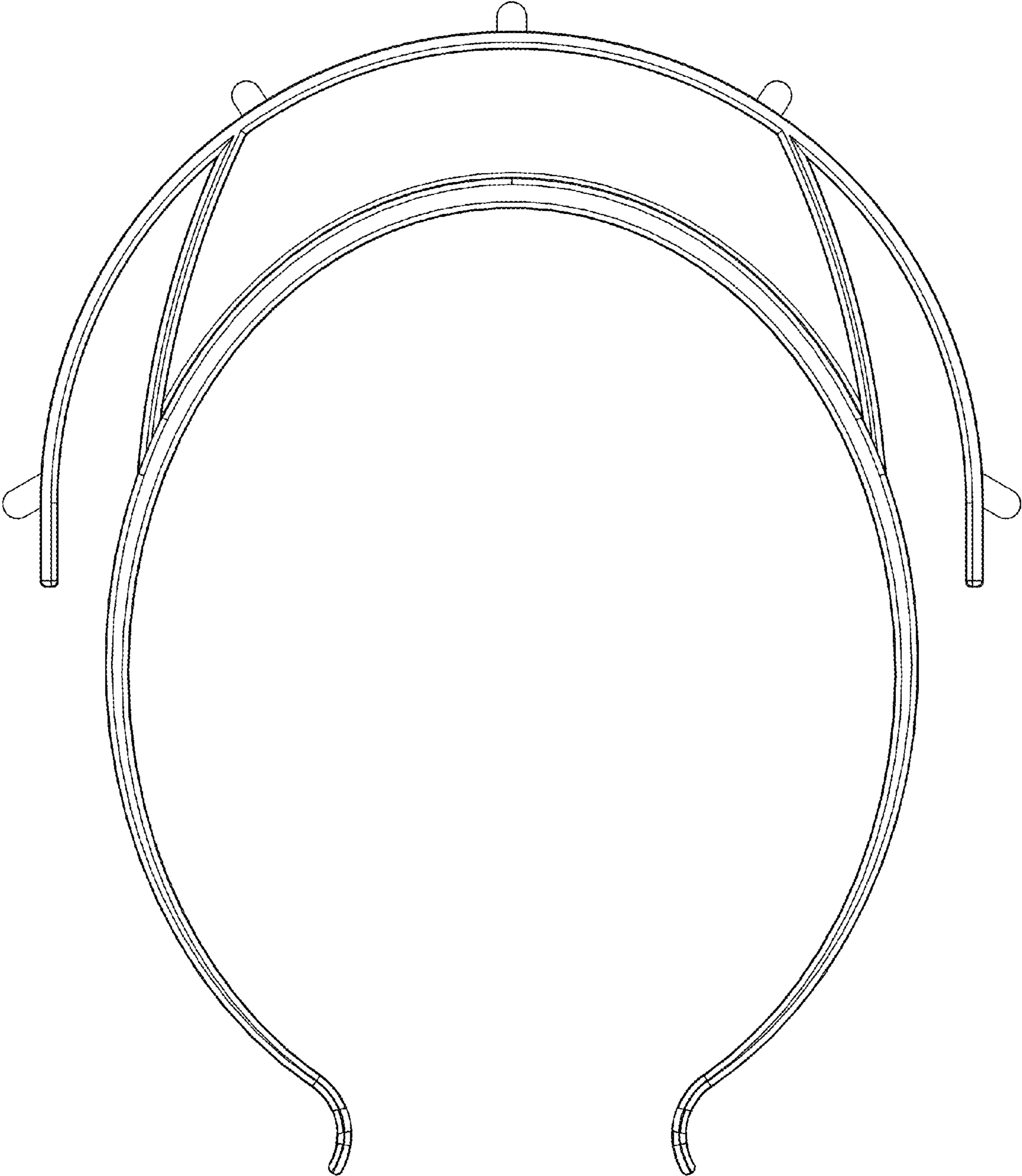


FIG. 7