



US00D948801S

(12) **United States Design Patent**  
**Petzl**

(10) **Patent No.:** **US D948,801 S**

(45) **Date of Patent:** **\*\* Apr. 12, 2022**

(54) **ACCESSORY FOR HELMET**

(71) Applicant: **ZEDEL**, Crolles (FR)

(72) Inventor: **Paul Petzl**, Barraux (FR)

(73) Assignee: **ZEDEL**, Crolles (FR)

(\*\*) Term: **15 Years**

(21) Appl. No.: **29/730,669**

(22) Filed: **Apr. 7, 2020**

(30) **Foreign Application Priority Data**

Oct. 14, 2019 (EM) ..... 007 021 837

(51) **LOC (13) Cl.** ..... **02-99**

(52) **U.S. Cl.**  
USPC ..... **D29/122**

(58) **Field of Classification Search**  
USPC ..... D29/102, 103, 106, 107, 108, 110, 122;  
D24/110.2  
CPC ..... A42B 3/225; A42B 3/226; A42B 3/18;  
A42B 3/185; A42B 3/20; A42B 3/22;  
A42B 3/221; A42B 3/222; A41D 13/11;  
A41D 13/1161; A41D 13/1184  
See application file for complete search history.

(56) **References Cited**

**U.S. PATENT DOCUMENTS**

D254,638	S	*	4/1980	Bay, Jr.	.....	D29/109
4,726,074	A	*	2/1988	Baclit	.....	A42B 1/247
						2/10
D298,476	S	*	11/1988	Lonnstedt	.....	D16/334
D360,708	S	*	7/1995	Palmaer	.....	D29/104
D372,343	S	*	7/1996	Palmaer	.....	D29/122
D457,987	S	*	5/2002	Cheng	.....	D29/122
D458,713	S	*	6/2002	Cheng	.....	D29/110
D661,840	S	*	6/2012	Klotz	.....	D29/109
D662,672	S	*	6/2012	Carlborg	.....	D29/122
D730,584	S	*	5/2015	Paulson	.....	D29/110

D747,560	S	*	1/2016	Daniels	.....	D29/122
D899,001	S	*	10/2020	Whitehead	.....	D29/110
D899,698	S	*	10/2020	Wu	.....	D29/107
D899,700	S	*	10/2020	Whitehead	.....	A41D 13/1184
						D29/110
D908,973	S	*	1/2021	Rybak	.....	D29/110
D914,293	S	*	3/2021	Roth	.....	D29/110
D914,295	S	*	3/2021	Evans	.....	D29/110
D915,681	S	*	4/2021	Whitehead	.....	D29/110
11,000,754	B2	*	5/2021	Gotti	.....	A42B 3/225

**OTHER PUBLICATIONS**

Petzl Helmet accessories for tree care—Petzl USA (on-line), dated Aug. 4, 2020. Retrieved from Internet Jan. 13, 2022, URL: <https://www.petzl.com/US/en/Professional/News/2020-8-4/Helmet-accessories-for-tree-care> (3 pages) (Year: 2020).\*

\* cited by examiner

*Primary Examiner* — Kimberly Barnes

(74) *Attorney, Agent, or Firm* — Oliff PLC

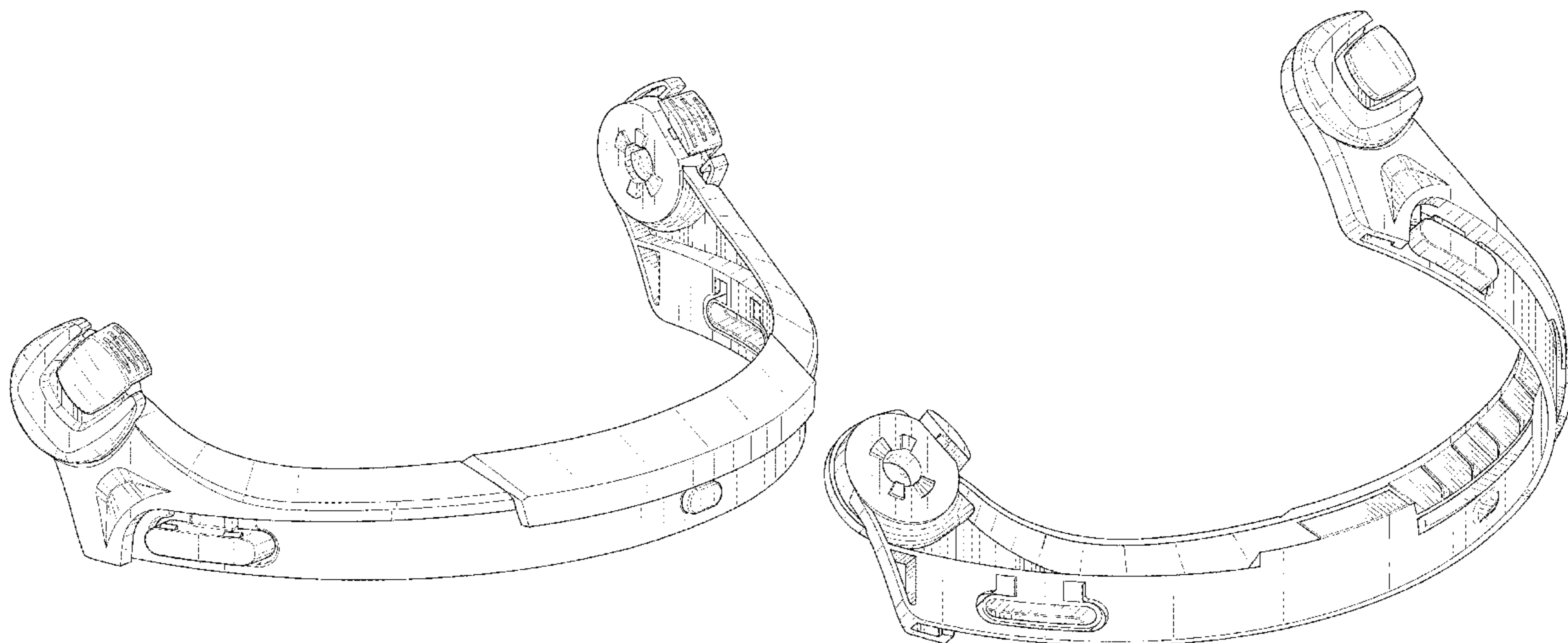
(57) **CLAIM**

The ornamental design for an accessory for helmet, as shown and described.

**DESCRIPTION**

FIG. 1 is a front elevational view of an accessory for helmet, showing the new design;  
FIG. 2 is a front, left-side, top perspective view thereof;  
FIG. 3 is a left-side elevational view thereof, the right-side elevational view (not provided) being a mirror-image thereof;  
FIG. 4 is a rear, left-side, bottom perspective view thereof;  
FIG. 5 is a rear elevational view thereof;  
FIG. 6 is a top plan view thereof; and,  
FIG. 7 is a bottom plan view thereof.  
The broken lines depict parts of the accessory for helmet that form no part of the claimed design.

**1 Claim, 7 Drawing Sheets**



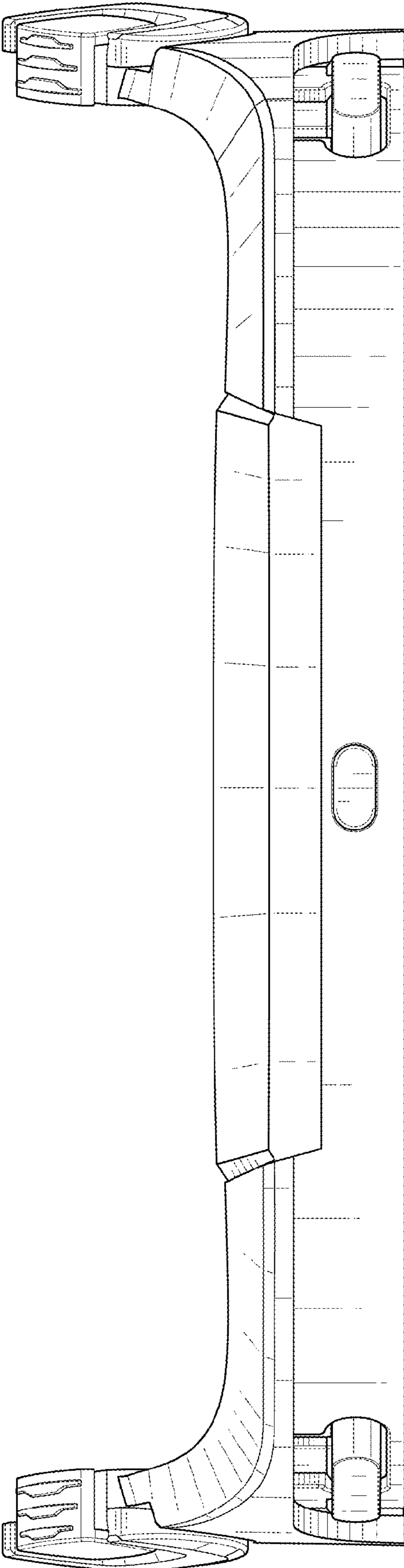


FIG. 1

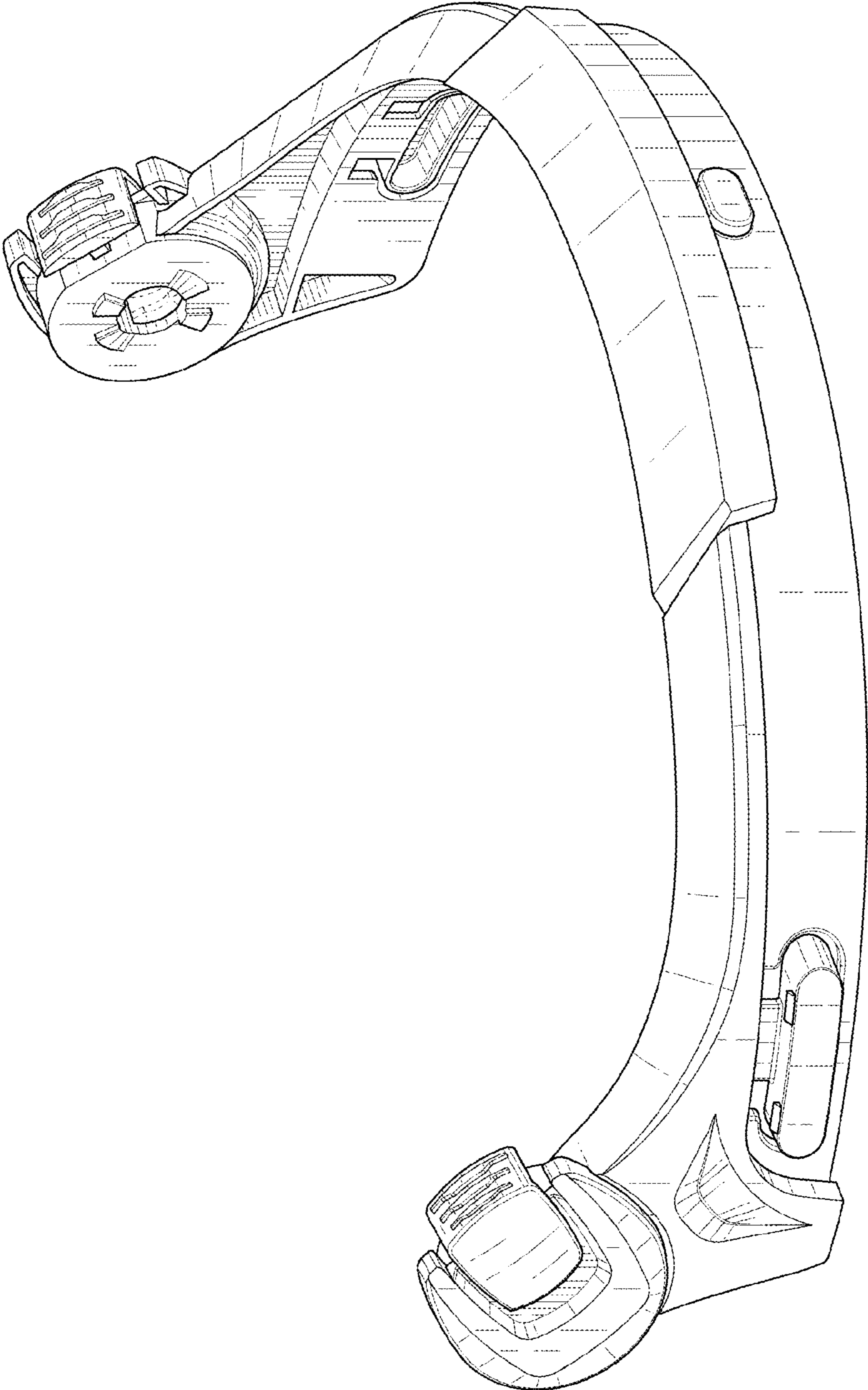


FIG. 2

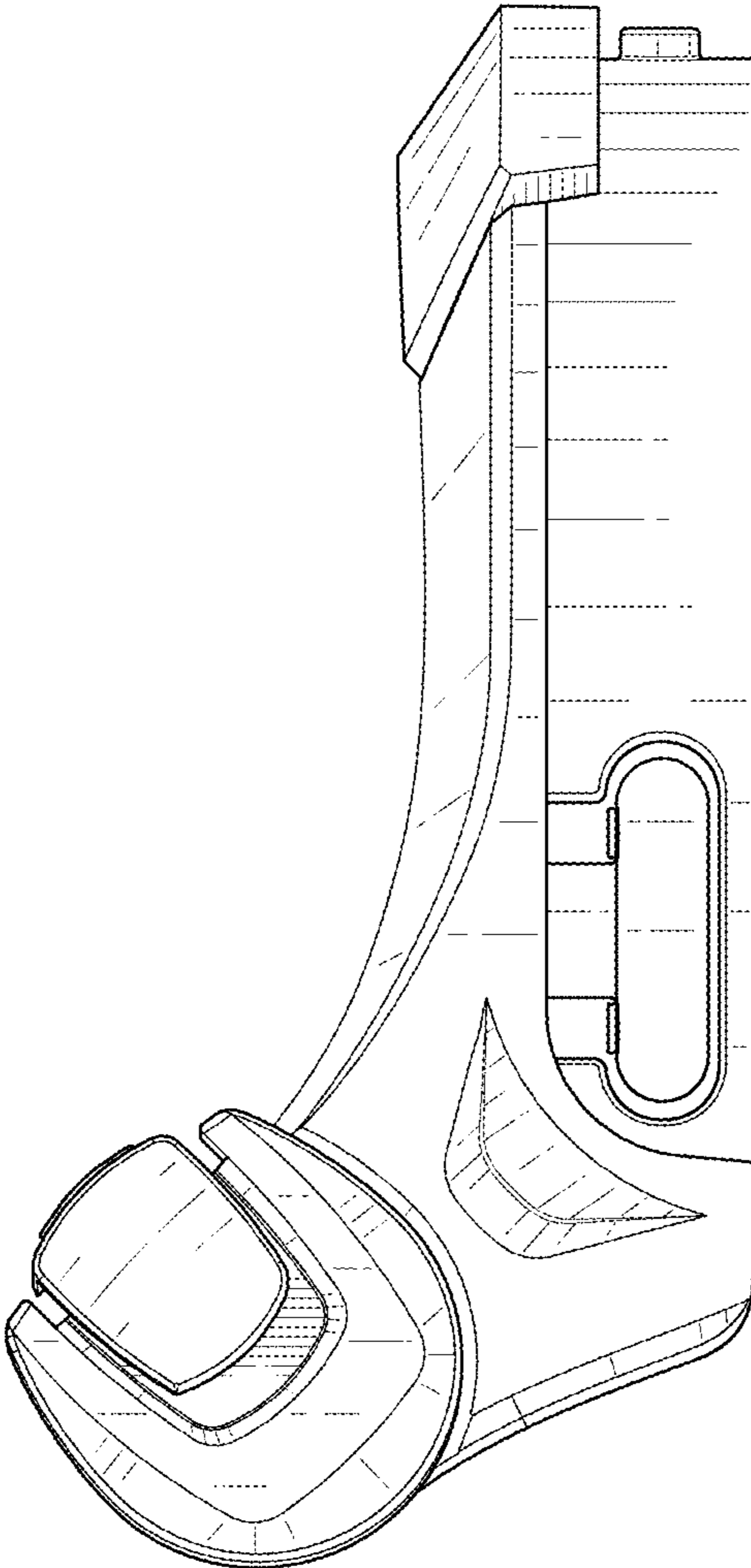


FIG. 3



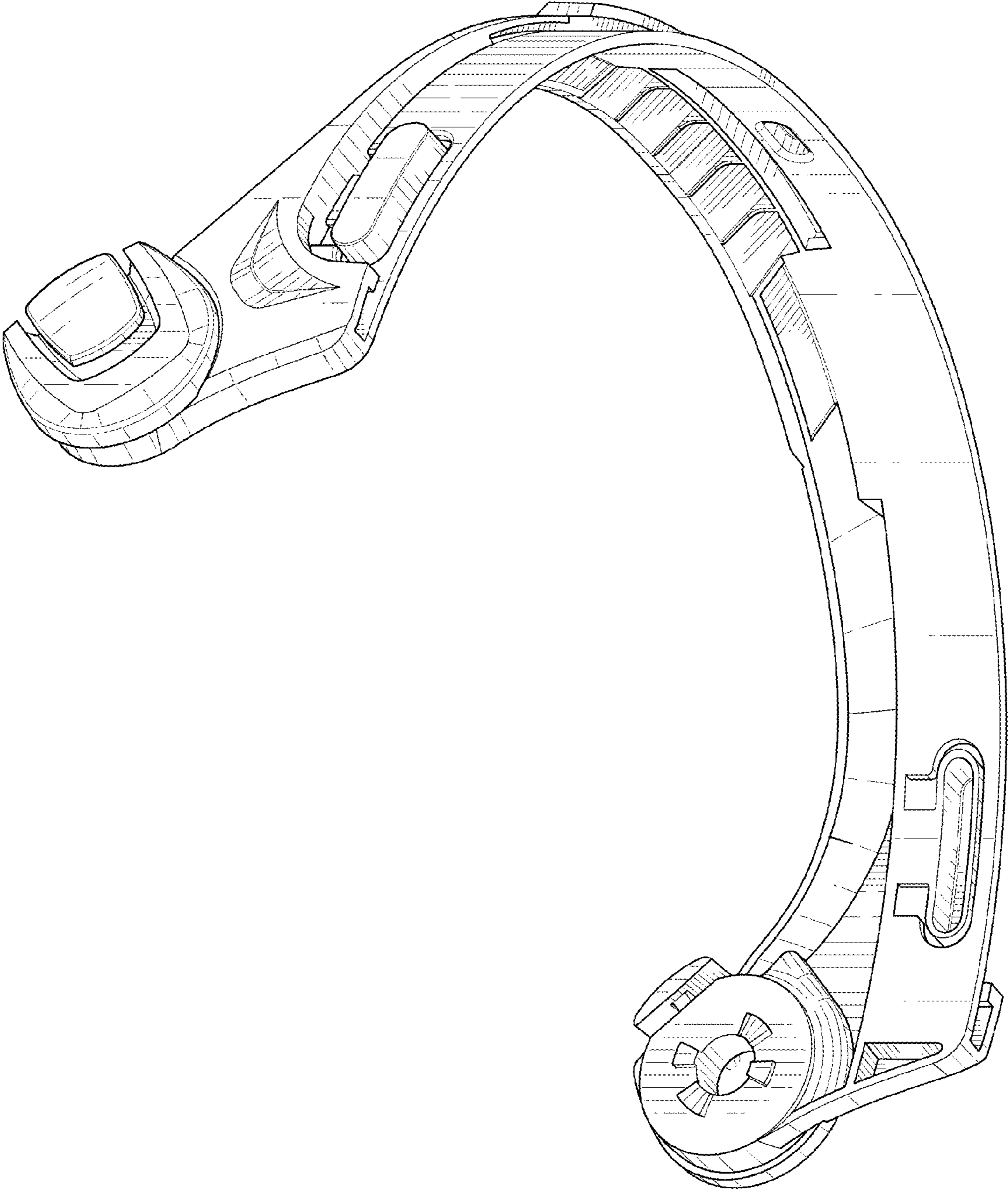


FIG. 4

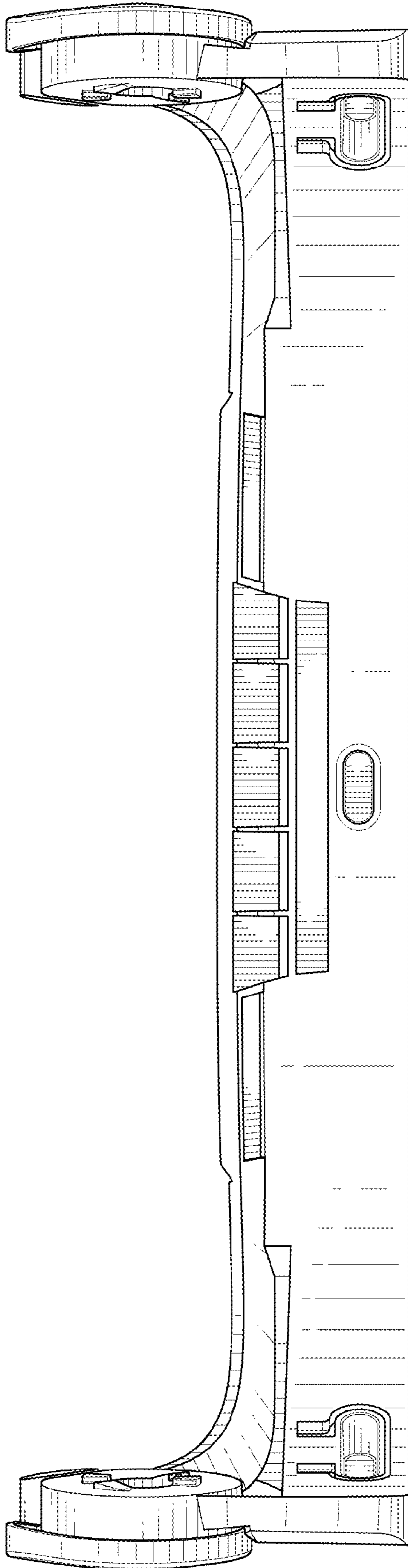


FIG. 5

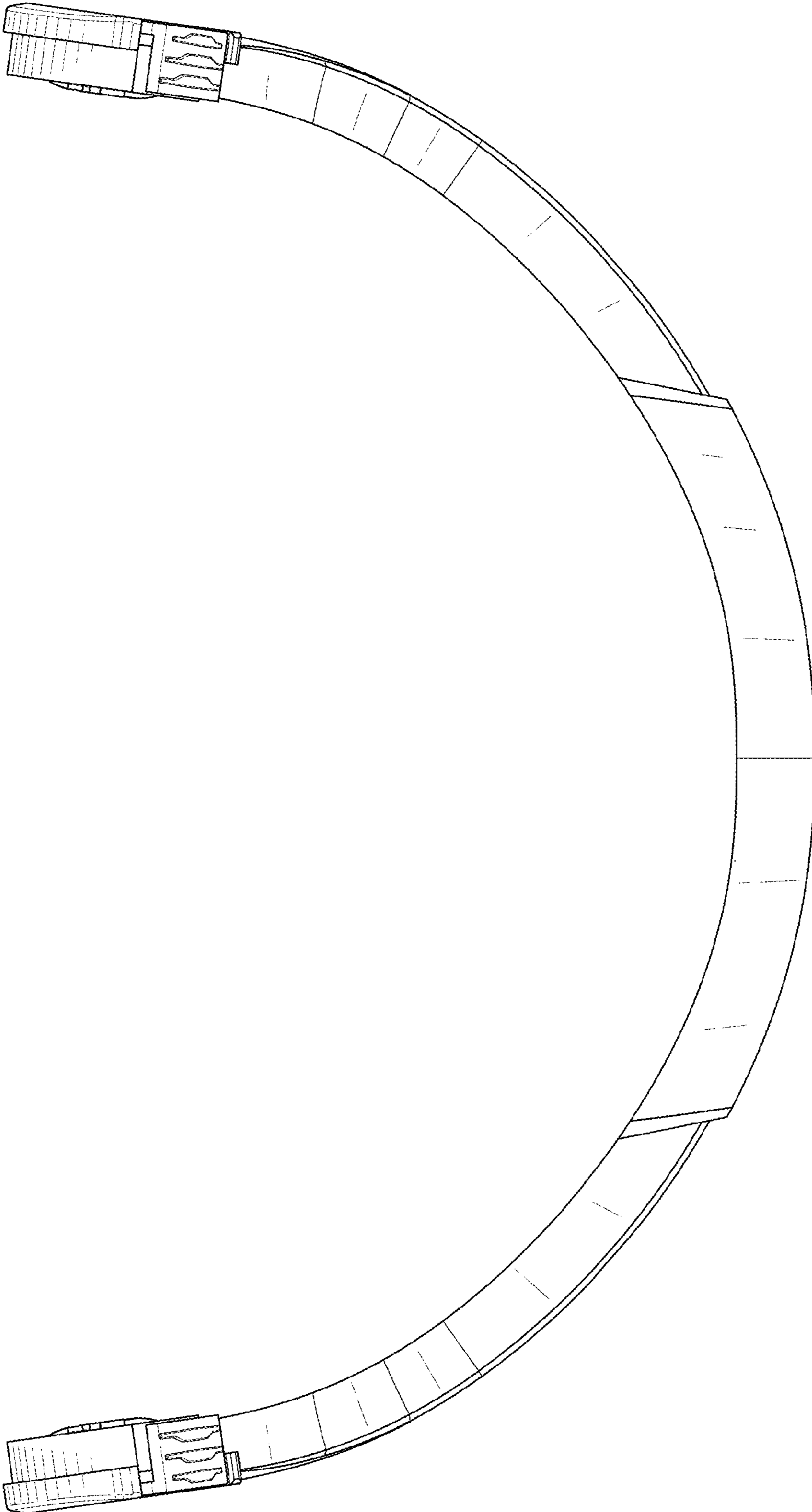


FIG. 6

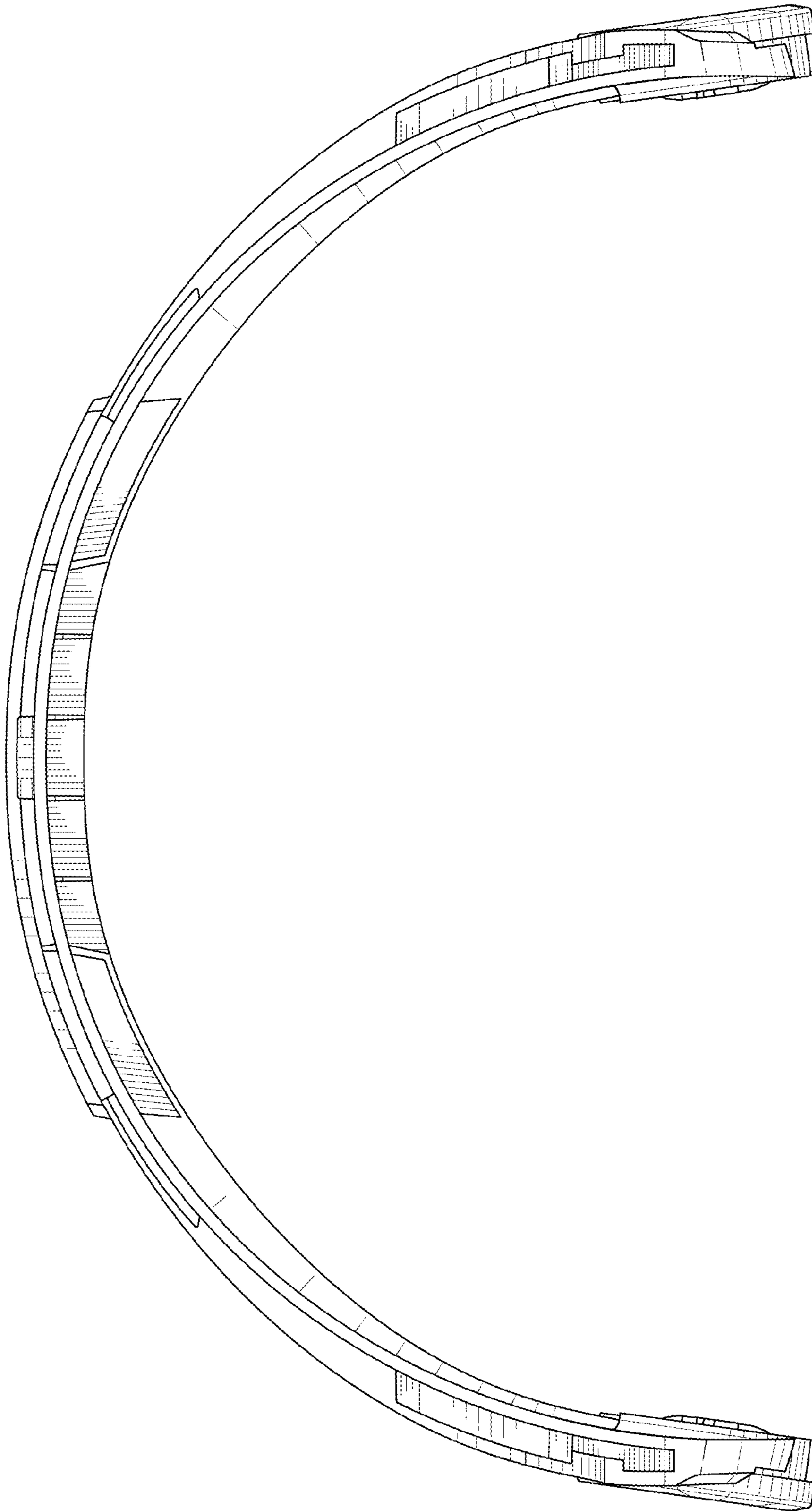


FIG. 7