



US00D948799S

(12) **United States Design Patent** (10) **Patent No.:** **US D948,799 S**
Fukuyama (45) **Date of Patent:** **** Apr. 12, 2022**

(54) **WINDOW BEADING FOR HELMET**

8,176,913 B2 * 5/2012 Ivory A62B 18/082
128/201.24
D705,994 S * 5/2014 Ryan D29/110
D756,445 S * 5/2016 Blanchard D16/312
9,918,508 B2 * 3/2018 Ryan A61F 9/025
D843,663 S * 3/2019 Locatelli D29/107
D851,841 S * 6/2019 Rosca D29/122
D878,366 S * 3/2020 Newsom D14/372
D886,185 S * 6/2020 Guillobez D16/312
10,675,185 B2 * 6/2020 Garcia A61F 9/027

(71) Applicant: **SHOEI CO., LTD.**, Tokyo (JP)

(72) Inventor: **Banri Fukuyama**, Tokyo (JP)

(73) Assignee: **SHOEI CO., LTD.**, Tokyo (JP)

(**) Term: **15 Years**

(21) Appl. No.: **29/723,948**

(22) Filed: **Feb. 12, 2020**

(30) **Foreign Application Priority Data**

Aug. 21, 2019 (JP) 2019-018428

(51) **LOC (13) Cl.** **02-99**

(52) **U.S. Cl.**
USPC **D29/122**

(58) **Field of Classification Search**
USPC D29/102-112, 122; D24/110.1, 110.2,
D24/110.3; D16/312
CPC .. A62B 18/02; A42B 3/04; A42B 3/22; A42B
1/24; A42B 3/18; A42B 3/06; A42B
3/221; A42B 3/24; A42B 3/0406; A42B
3/227; A63B 69/00; A63B 69/0002; A63B
69/002; A63B 69/0024; A63B 69/0026;
A63B 2243/007; A63B 71/10
See application file for complete search history.

(56) **References Cited**

U.S. PATENT DOCUMENTS

4,455,689 A * 6/1984 Boyer A61F 9/025
2/434
D478,610 S * 8/2003 Moritz D16/312
D510,644 S * 10/2005 Batstone D29/107
D596,803 S * 7/2009 Broersma D29/107
D596,804 S * 7/2009 Broersma D29/108
D611,659 S * 3/2010 Isobe D29/122
D645,211 S * 9/2011 Hill D29/110
D658,812 S * 5/2012 Miller, IV D29/107

Primary Examiner — Kimberly Barnes

(74) *Attorney, Agent, or Firm* — Cantor Colburn LLP

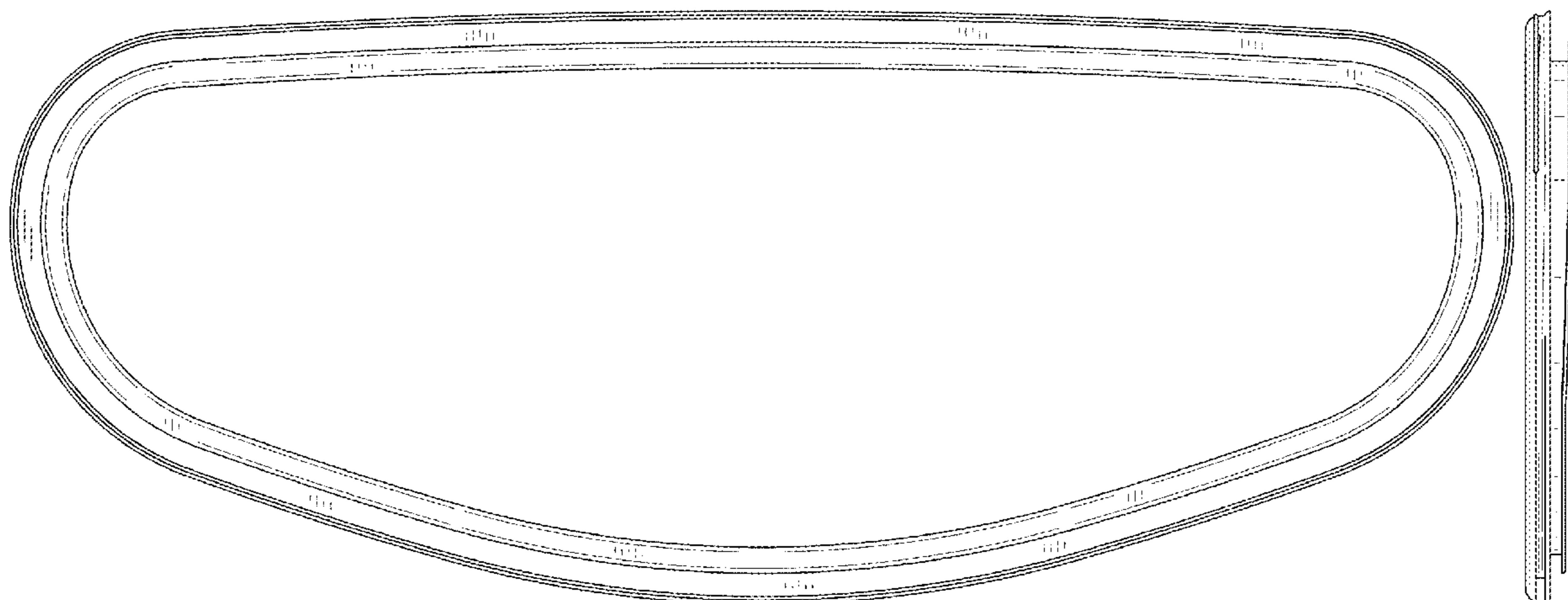
(57) **CLAIM**

The ornamental design for a window beading for helmet, as shown and described.

DESCRIPTION

FIG. 1 is a front view of a window beading for helmet showing my new design;
FIG. 2 is a rear view thereof;
FIG. 3 is a top plan view thereof;
FIG. 4 is a bottom plan view thereof;
FIG. 5 is a right side view thereof, the left side view being a mirror image of FIG. 5;
FIG. 6 is an enlarged cross-sectional view taken along line 6-6 in FIG. 1;
FIG. 7 is an enlarged cross-sectional view taken along line 7-7 in FIG. 1;
FIG. 8 is an enlarged cross-sectional view taken along line 8-8 in FIG. 1 showing only a right-hand part of the window beading;
FIG. 9 is an enlarged cross-sectional view taken along line 9-9 in FIG. 1 showing only a lower right-hand part thereof; and,
FIG. 10 is an enlarged cross-sectional view taken along line 10-10 in FIG. 1 showing only a lower right-hand part thereof.

1 Claim, 10 Drawing Sheets



(56)

References Cited

U.S. PATENT DOCUMENTS

D903,748 S * 12/2020 Zhang D16/312
D906,407 S * 12/2020 Kim D16/312
D927,081 S * 8/2021 Fukuyama D29/107
11,103,383 B2 * 8/2021 Sison A61F 9/025
D933,307 S * 10/2021 Campbell D29/110
2006/0010572 A1 * 1/2006 Douglas A42B 3/24
2/231
2016/0143785 A1 * 5/2016 Laperriere A61F 9/025
2/431
2020/0178622 A1 * 6/2020 Jascomb A41D 13/1184
2021/0137205 A1 * 5/2021 Jascomb B29C 48/21

* cited by examiner

FIG.1

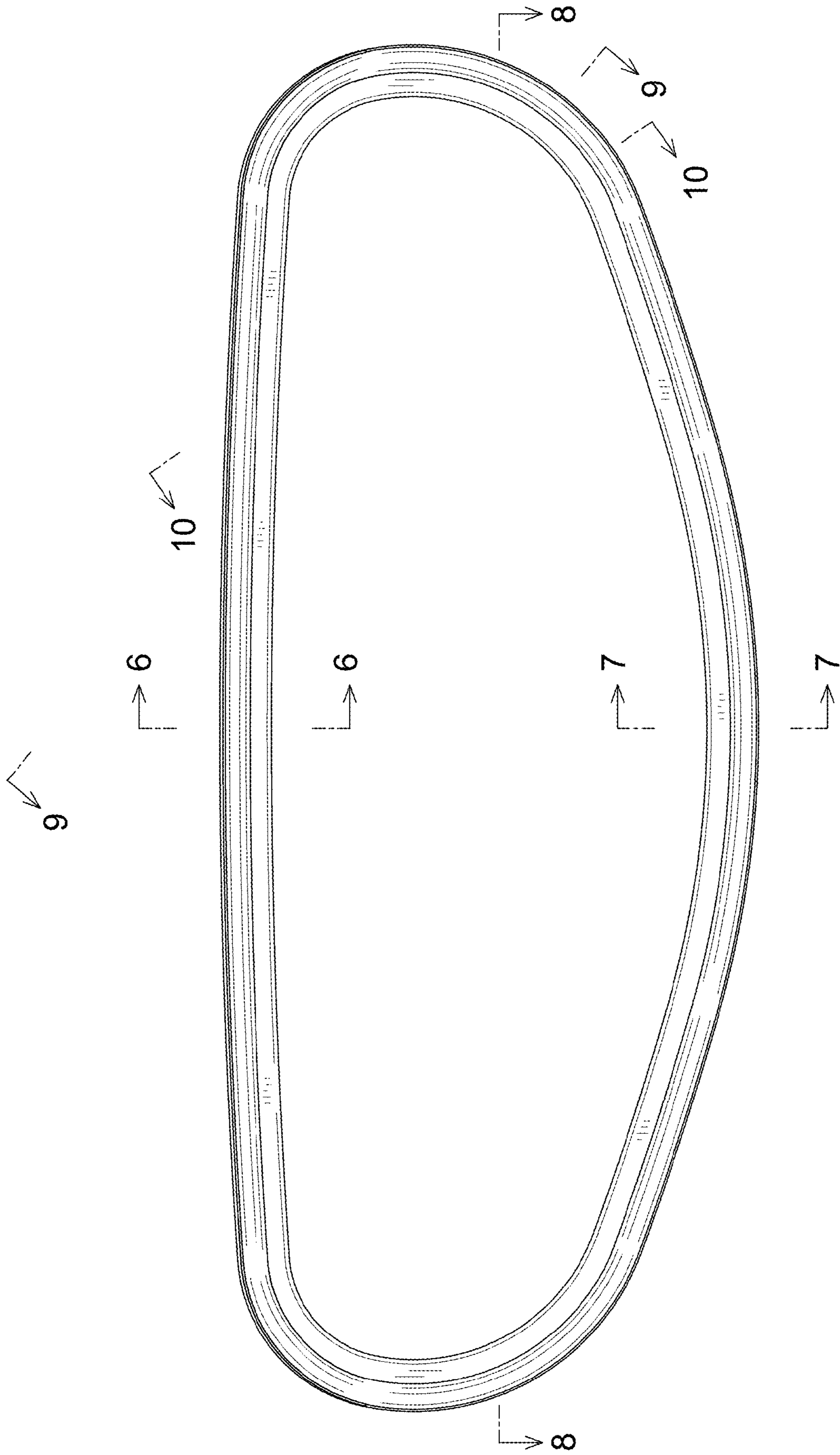


FIG.2

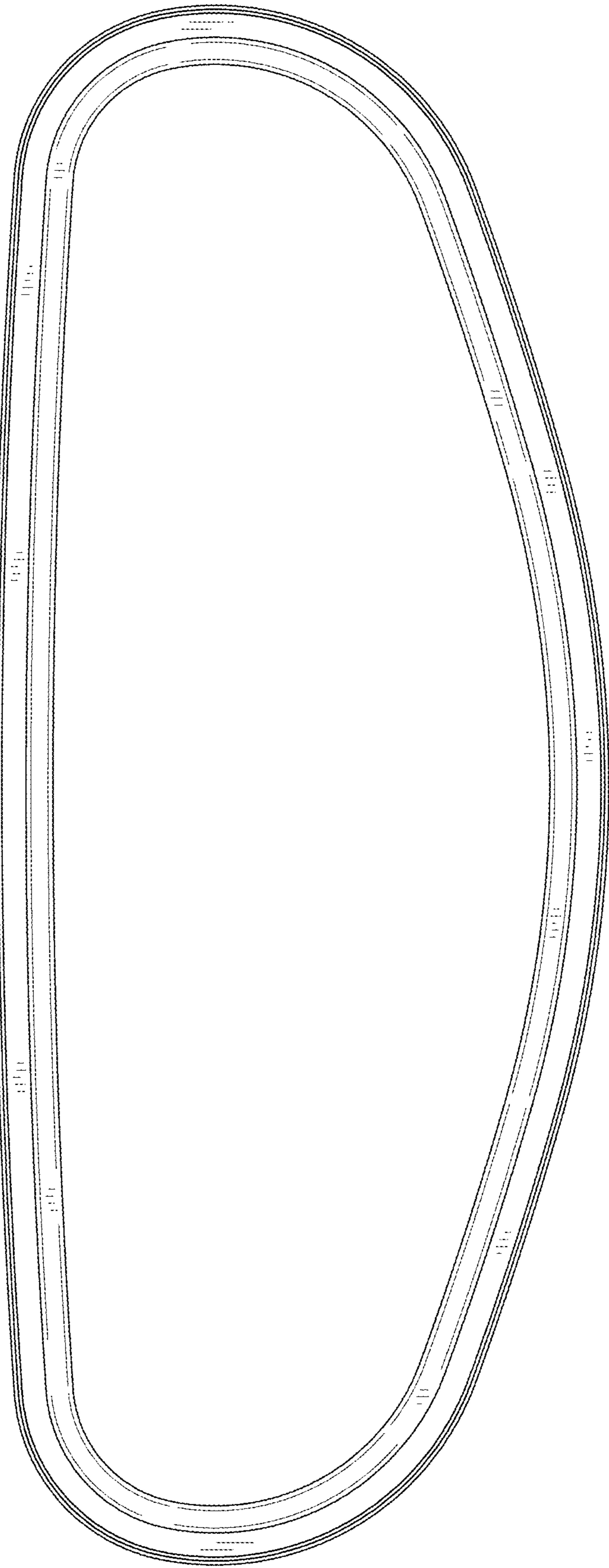


FIG.3

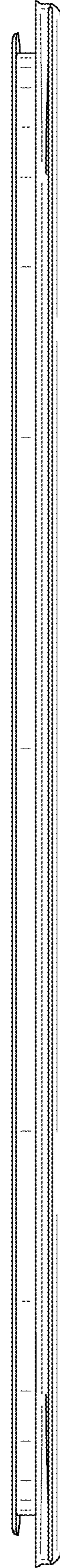
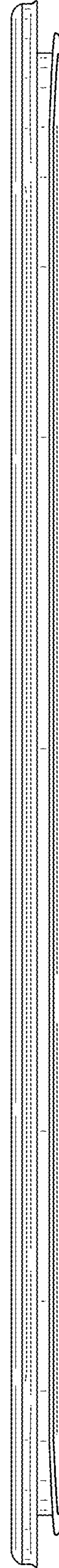


FIG.4



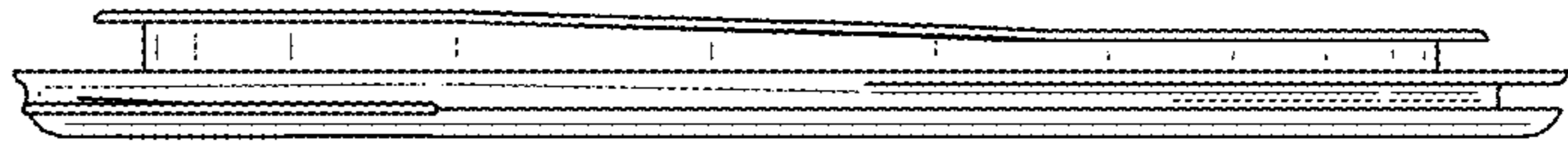


FIG.5

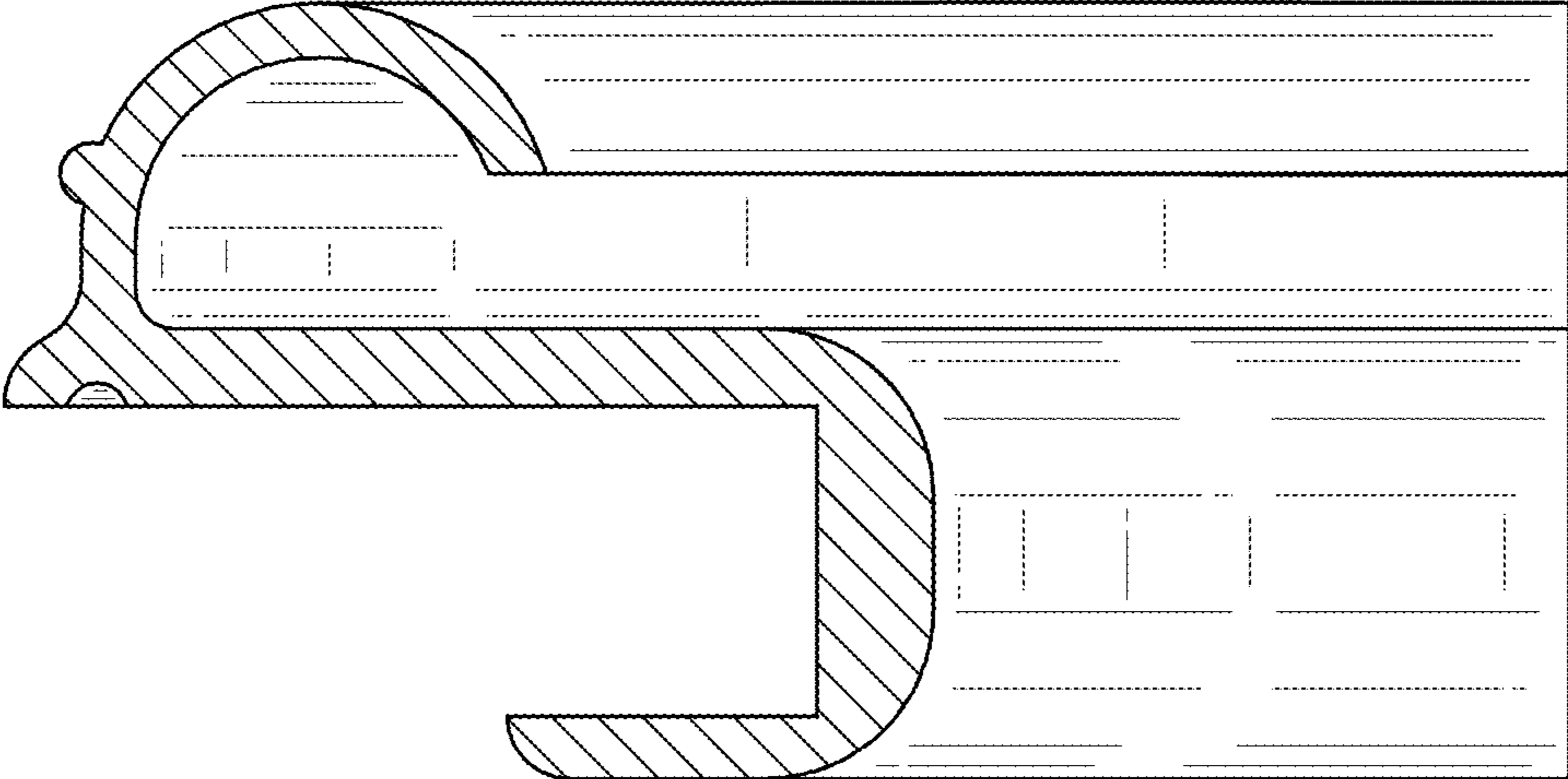


FIG.6

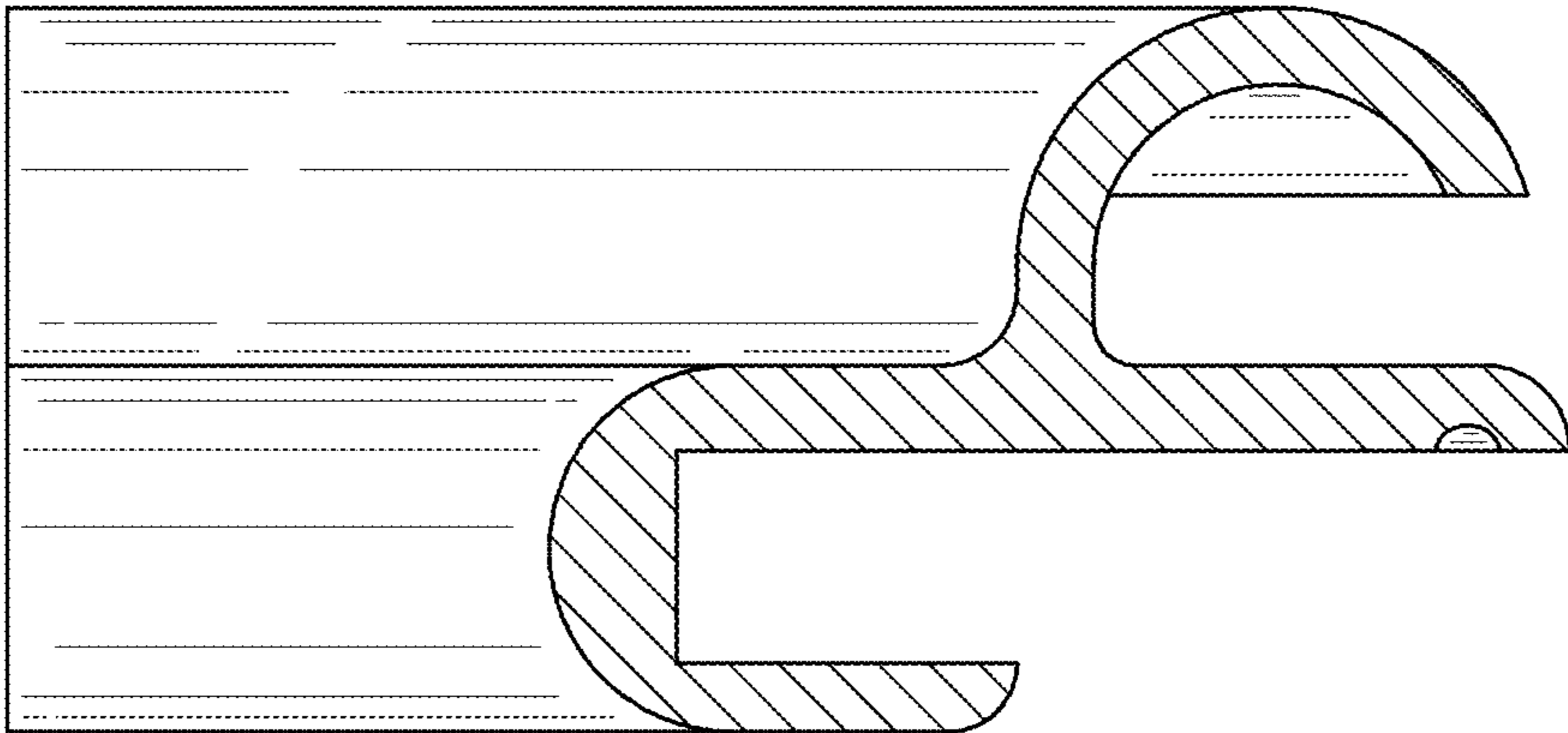
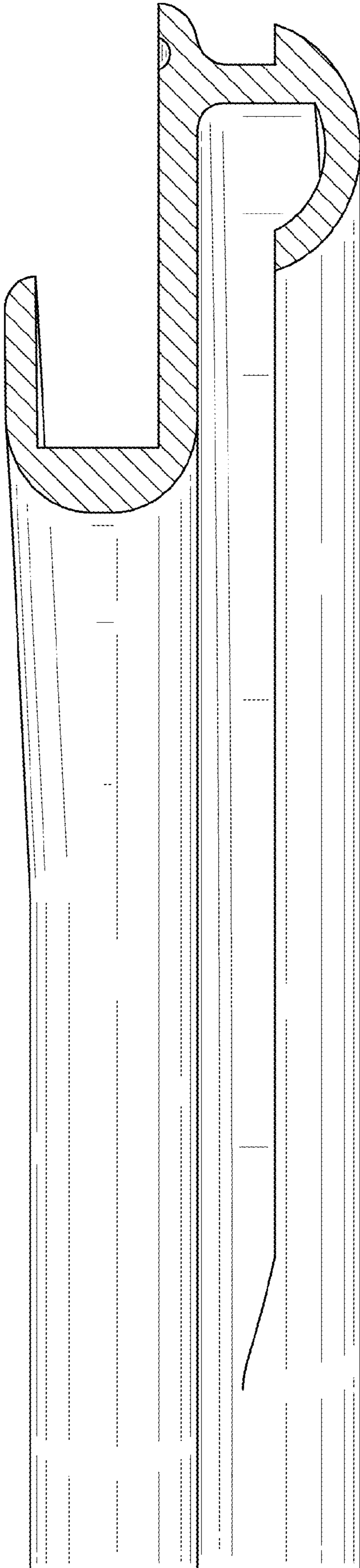


FIG.7

FIG. 8



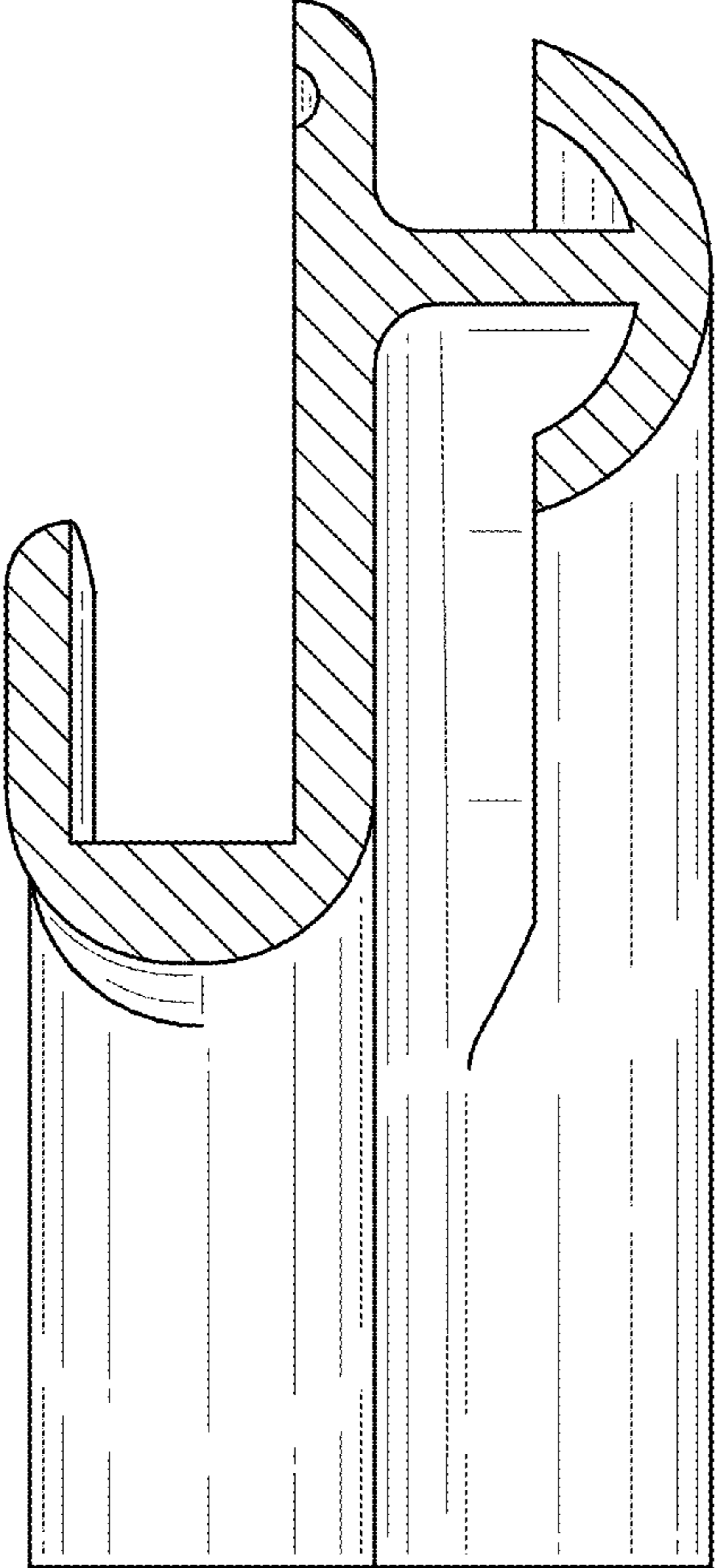


FIG.9

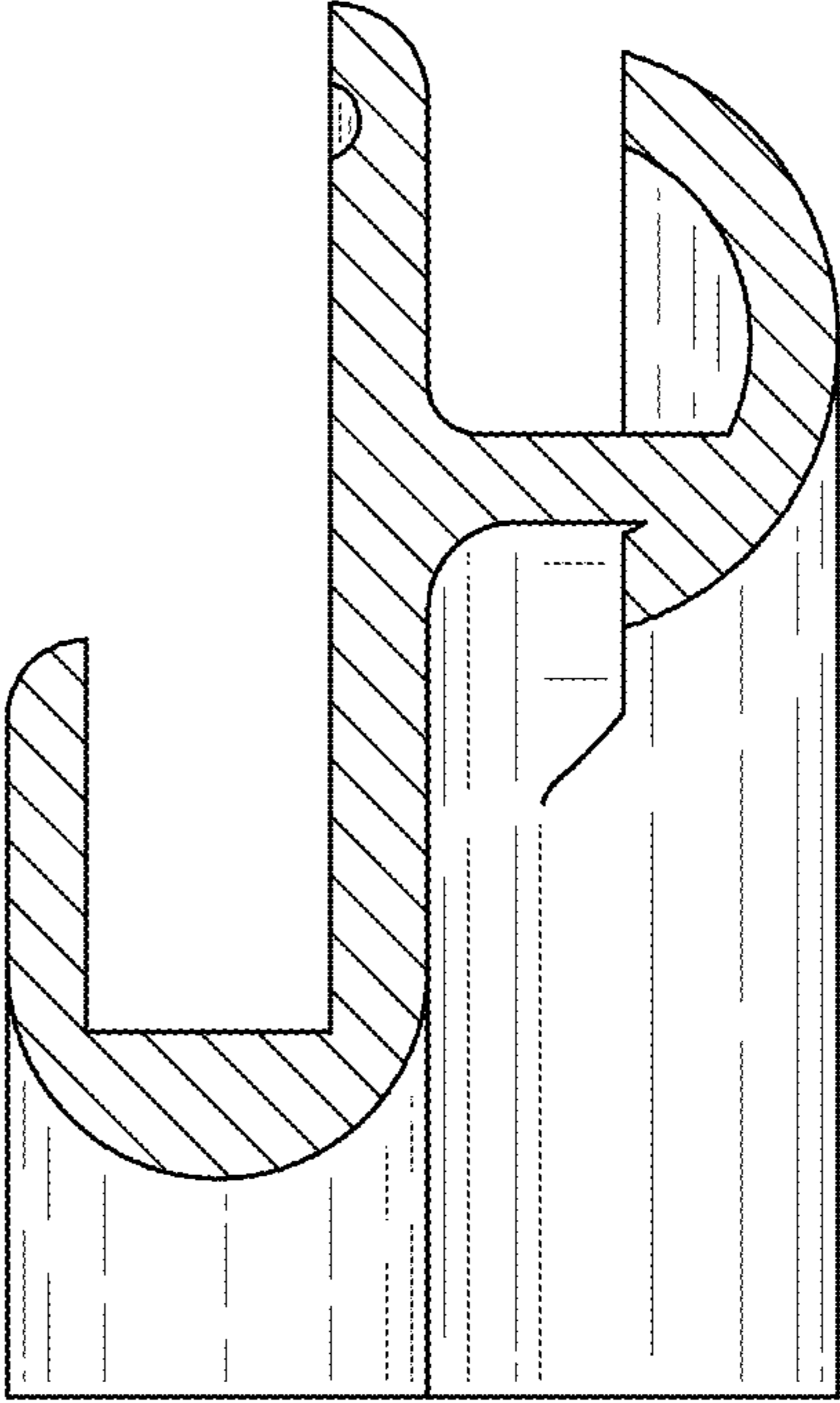


FIG.10