



US00D948793S

(12) **United States Design Patent**  
**Stang et al.**

(10) **Patent No.:** **US D948,793 S**  
(45) **Date of Patent:** **\*\* Apr. 12, 2022**

- (54) **HAND DRYER**
- (71) Applicant: **Bradley Corporation**, Menomonee Falls, WI (US)
- (72) Inventors: **Laura Beth Stang**, Mukwonago, WI (US); **Simon Holzmann**, Zorneding (DE); **Stefan Hillenmayer**, Munich (DE); **Ning Zhou**, Munich (DE)
- (73) Assignee: **Bradley Corporation**, Menomonee Falls, WI (US)
- (\*\*) Term: **15 Years**
- (21) Appl. No.: **29/708,035**
- (22) Filed: **Oct. 2, 2019**
- (51) **LOC (13) Cl.** ..... **28-03**
- (52) **U.S. Cl.**  
USPC ..... **D28/54.1**
- (58) **Field of Classification Search**  
USPC ..... D28/12, 54.1, 58; D23/357, 361, 385  
CPC ..... F26B 21/004; A45D 20/00; A47K 10/48;  
B05B 1/04  
See application file for complete search history.

(56) **References Cited**

**U.S. PATENT DOCUMENTS**

D530,555 S	10/2006	Karraker et al.	
D615,329 S	5/2010	Meyerhoffer	
D616,683 S	6/2010	Law et al.	
D624,340 S	9/2010	Benedetti	
D634,142 S	3/2011	Meyerhoffer	
D634,953 S	3/2011	Meyerhoffer	
D641,578 S	7/2011	Meyerhoffer	
D648,585 S	11/2011	Meyerhoffer	
D653,888 S	2/2012	Velazquez et al.	
D676,603 S *	2/2013	Ishikawa	D28/54.1
D687,653 S	8/2013	Giovannoni	
D703,463 S	4/2014	Giovannoni	

D726,443 S	4/2015	Giovannoni	
D726,444 S	4/2015	Giovannoni	
D726,445 S	4/2015	Giovannoni	
D758,019 S *	5/2016	Takiguchi	D28/54.1
D762,008 S *	7/2016	Pristatskiy	D28/54.1
D776,352 S *	1/2017	Gagnon	D28/54.1
D780,995 S *	3/2017	Ayre	D28/54.1
D790,873 S	7/2017	Ku et al.	
D796,866 S	9/2017	Johnson	
D796,867 S	9/2017	Johnson	
D796,868 S	9/2017	Johnson	
D809,819 S	2/2018	Johnson	
D811,120 S	2/2018	Johnson	
D830,636 S *	10/2018	Loong	D28/54.1
D840,171 S	2/2019	Buell et al.	

(Continued)

*Primary Examiner* — Zenia I Bennett

(74) *Attorney, Agent, or Firm* — Boyle Fredrickson, S.C.

(57) **CLAIM**

The ornamental design for a hand dryer, substantially as shown and described.

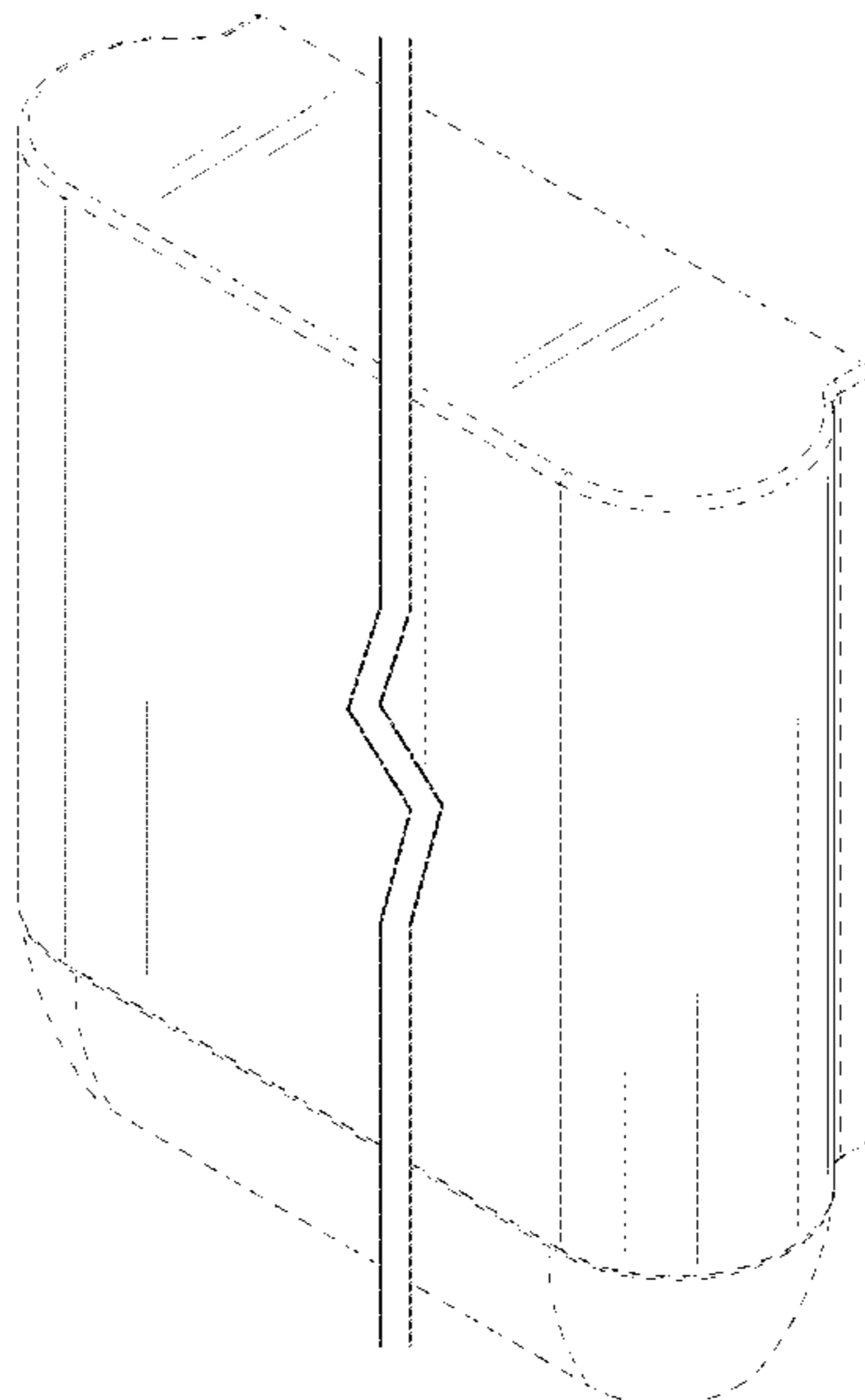
**DESCRIPTION**

FIG. 1 is a front, raised perspective view of a hand dryer according to a fourth embodiment of the invention; FIG. 2 is a front view of the hand dryer of FIG. 1; FIG. 3 is a rear view of the hand dryer of FIG. 1; FIG. 4 is a right side view of the hand dryer of FIG. 1; FIG. 5 is a left side view of the hand dryer of FIG. 1; FIG. 6 is a top view of the hand dryer of FIG. 1; FIG. 7 is a bottom view of the hand dryer of FIG. 1; and, FIG. 8 is a front, lowered perspective view of the hand dryer of FIG. 1.

The broken lines shown in the drawings form no part of the claimed design. All surfaces not shown form no part of the claimed design.

The broken away symbols in the drawings indicate the appearance of any portion of the hand dryer between the break lines form no part of the claimed design.

**1 Claim, 8 Drawing Sheets**



(56)

**References Cited**

U.S. PATENT DOCUMENTS

D840,712 S     2/2019   Buell et al.  
D840,713 S     2/2019   Buell et al.  
D855,348 S     8/2019   Buell et al.  
D869,193 S     12/2019   Peterson  
D871,672 S \* 12/2019   Hongfei ..... D28/54.1

\* cited by examiner

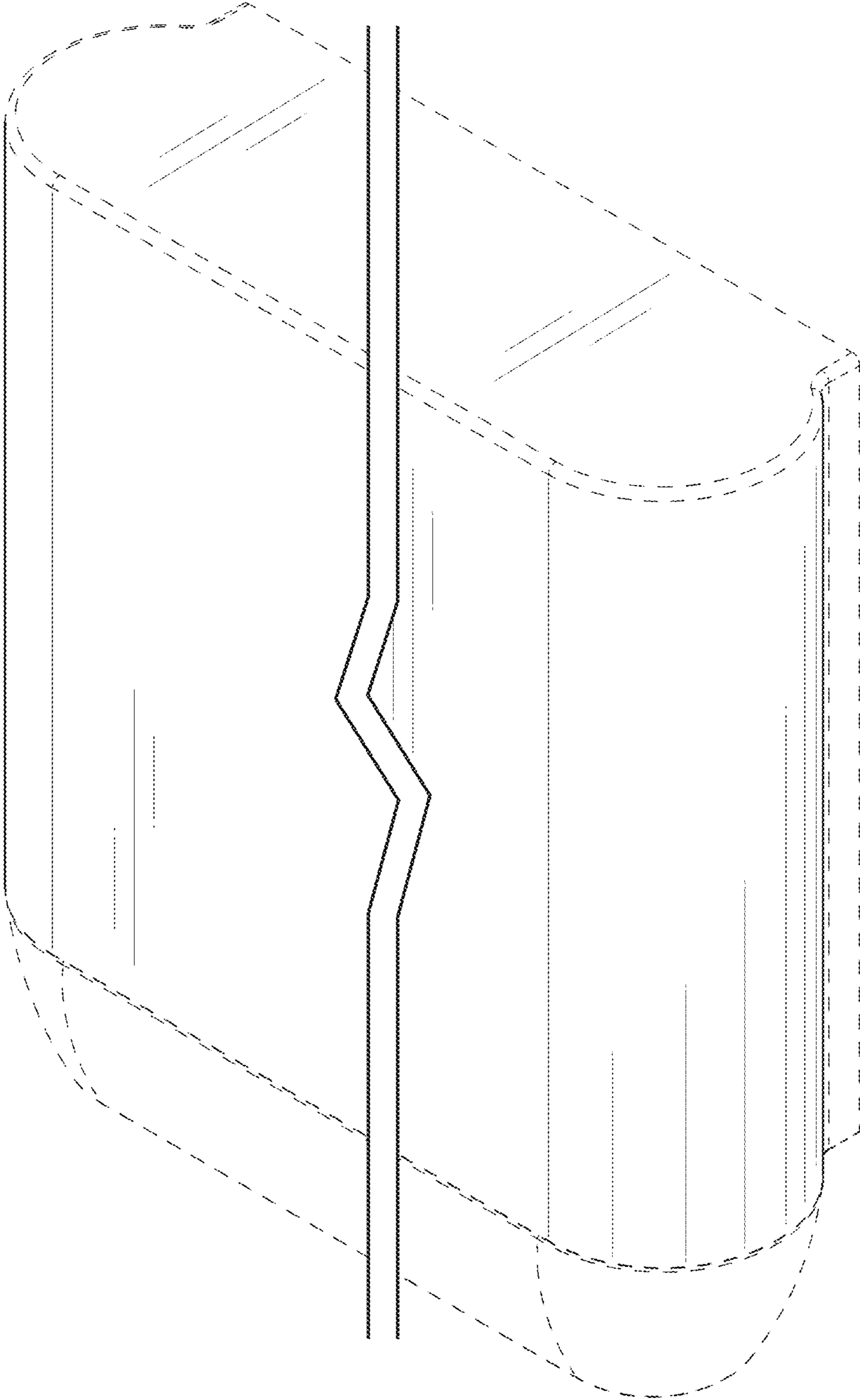


FIG. 1

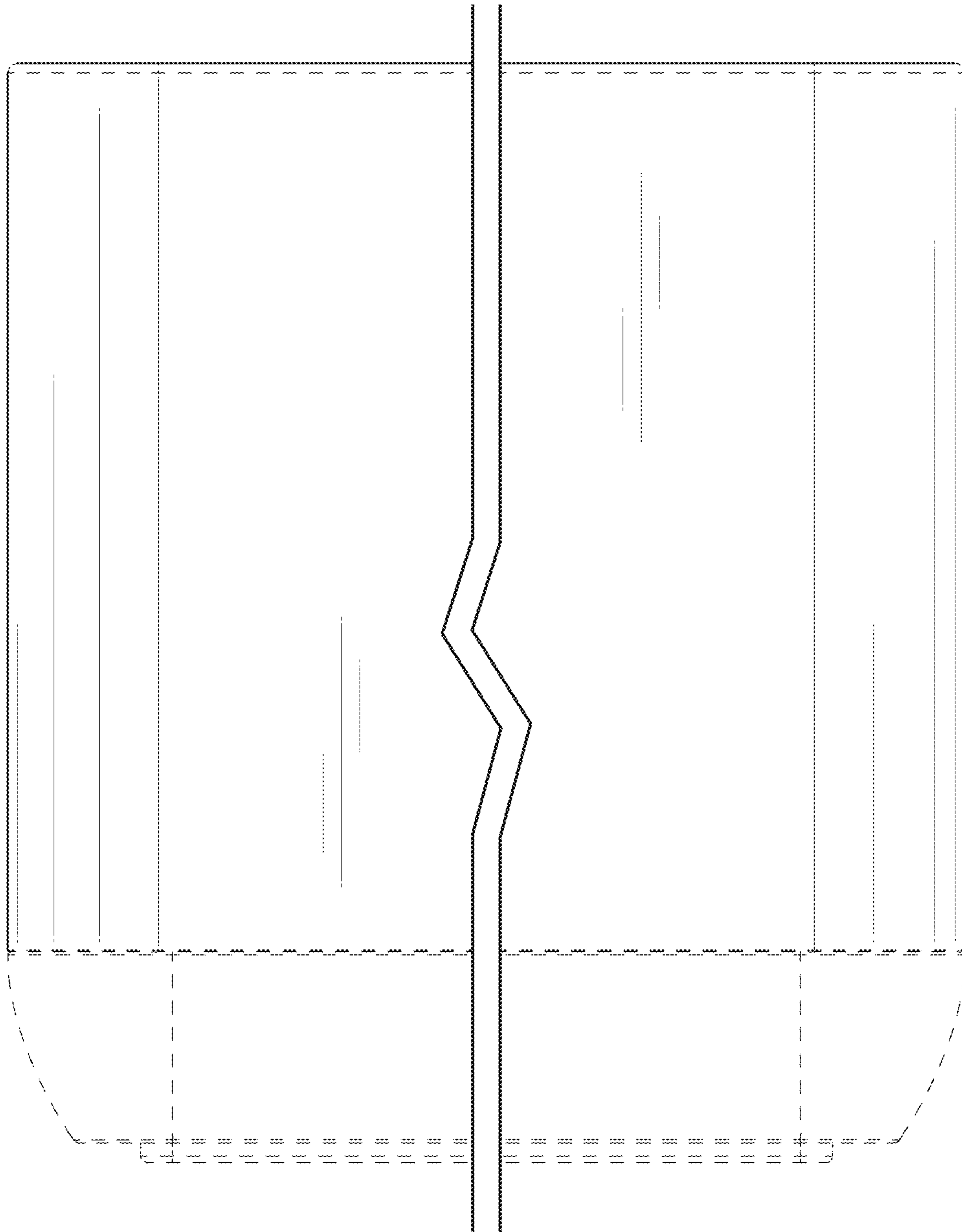


FIG. 2

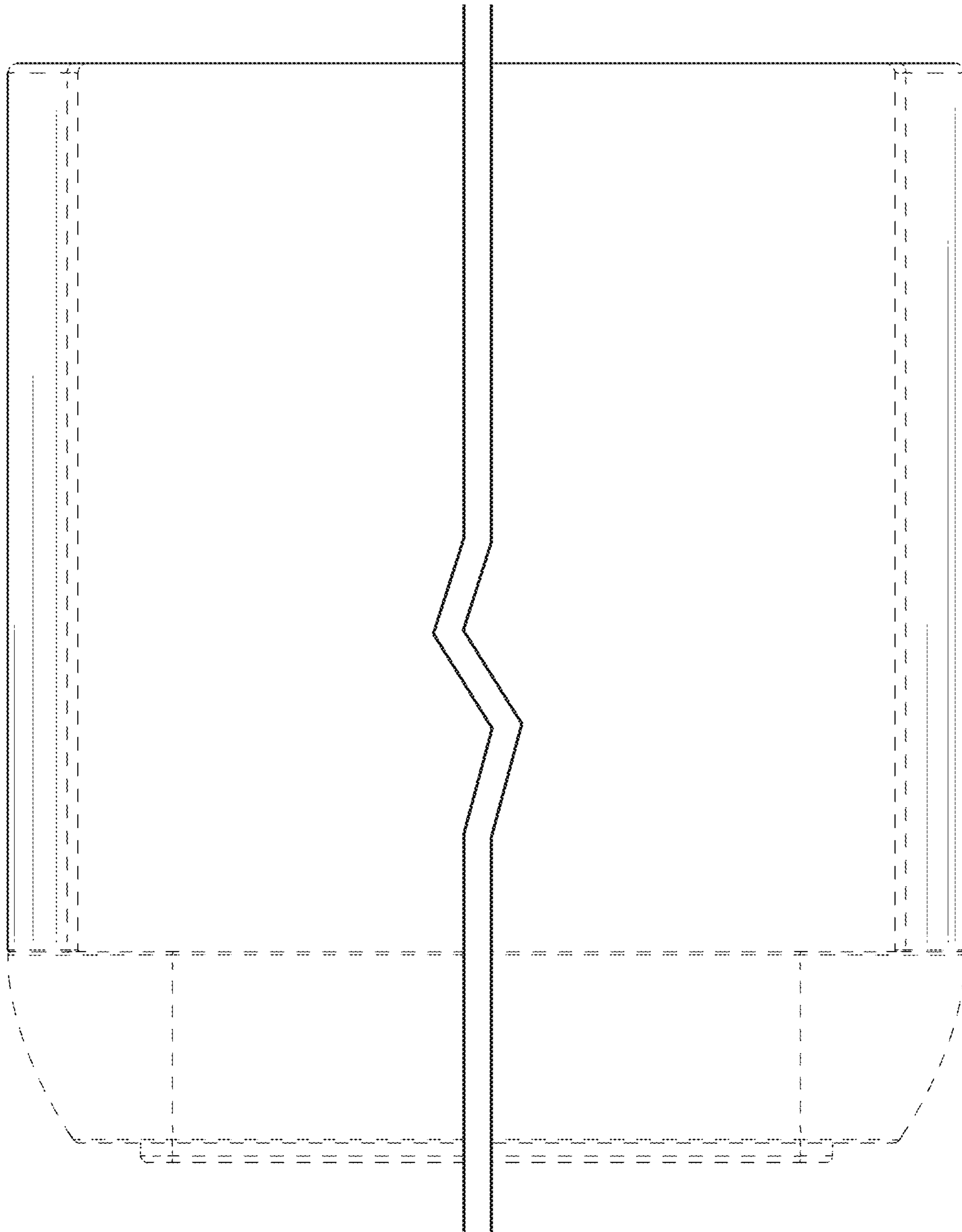


FIG. 3

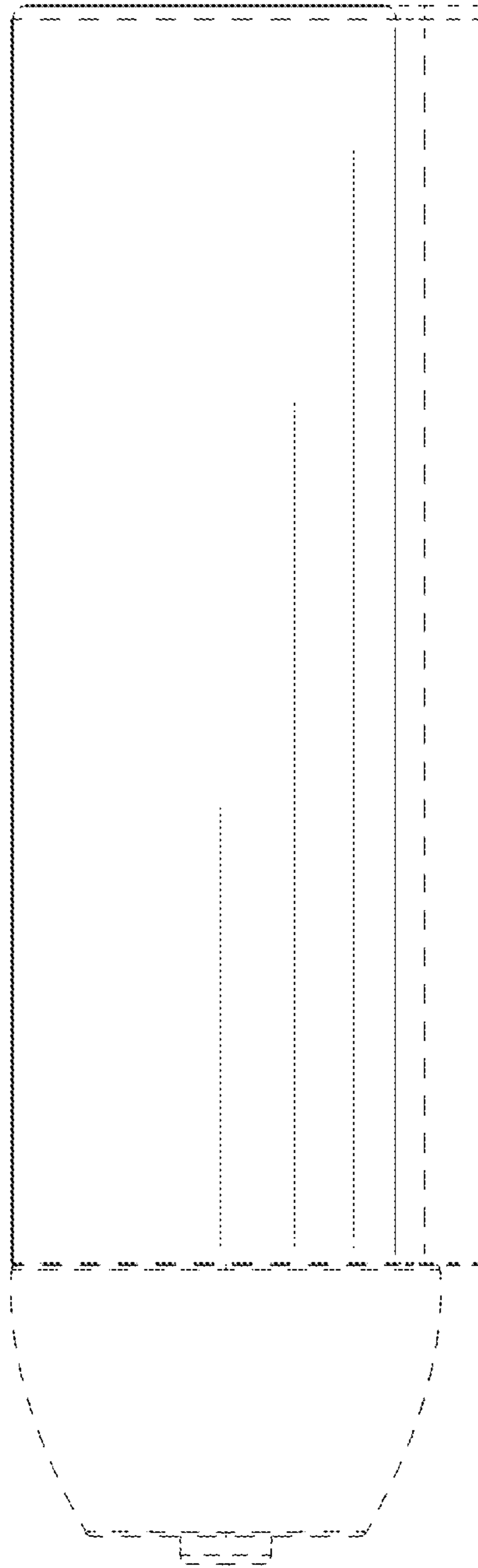


FIG. 4

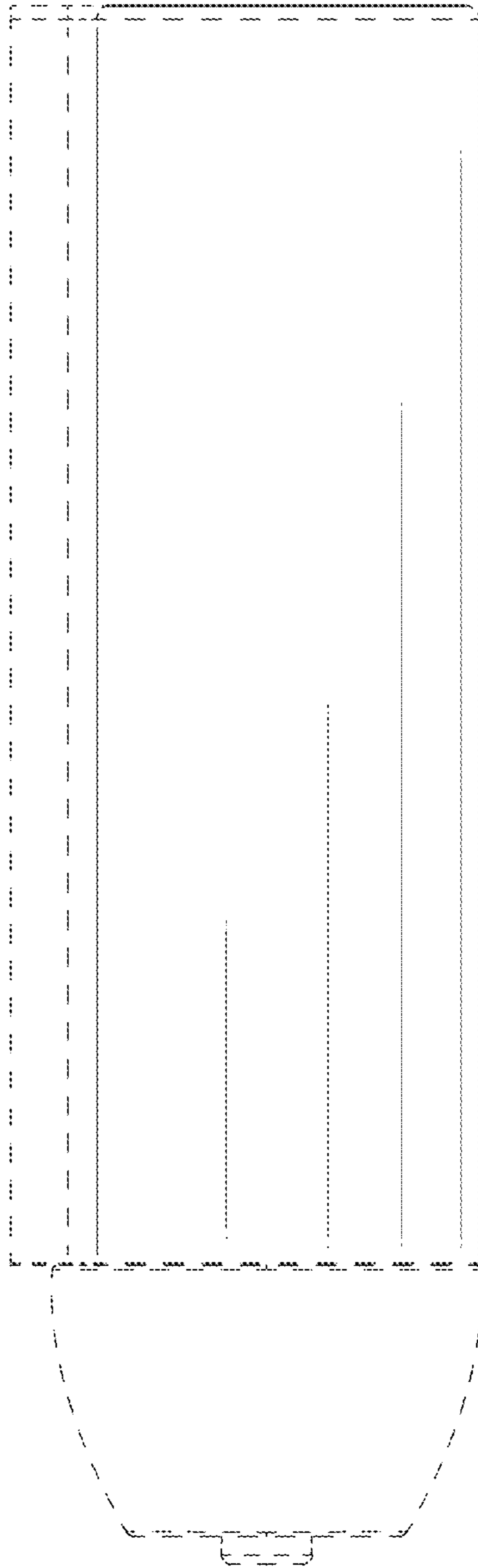


FIG. 5

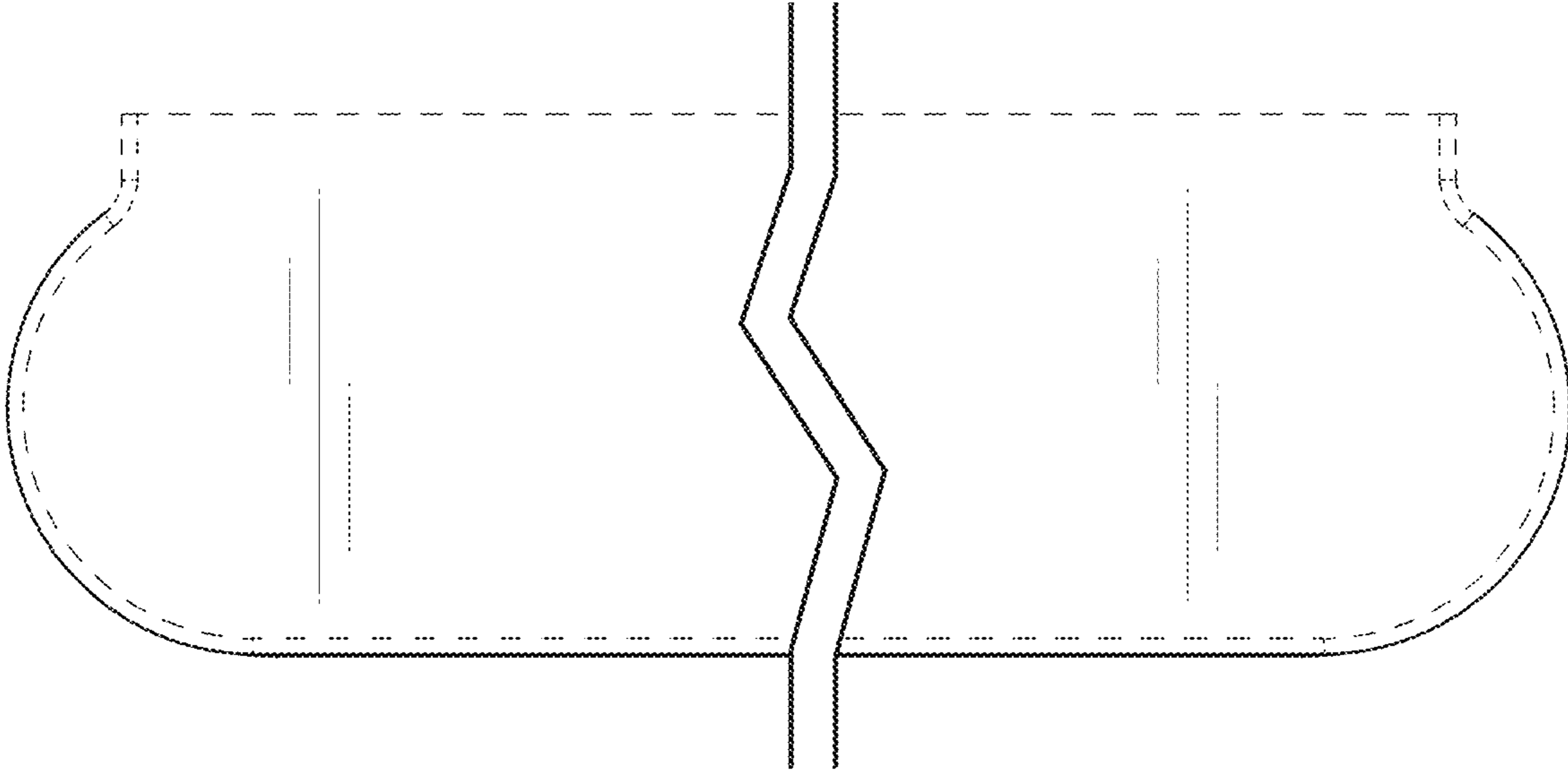


FIG. 6



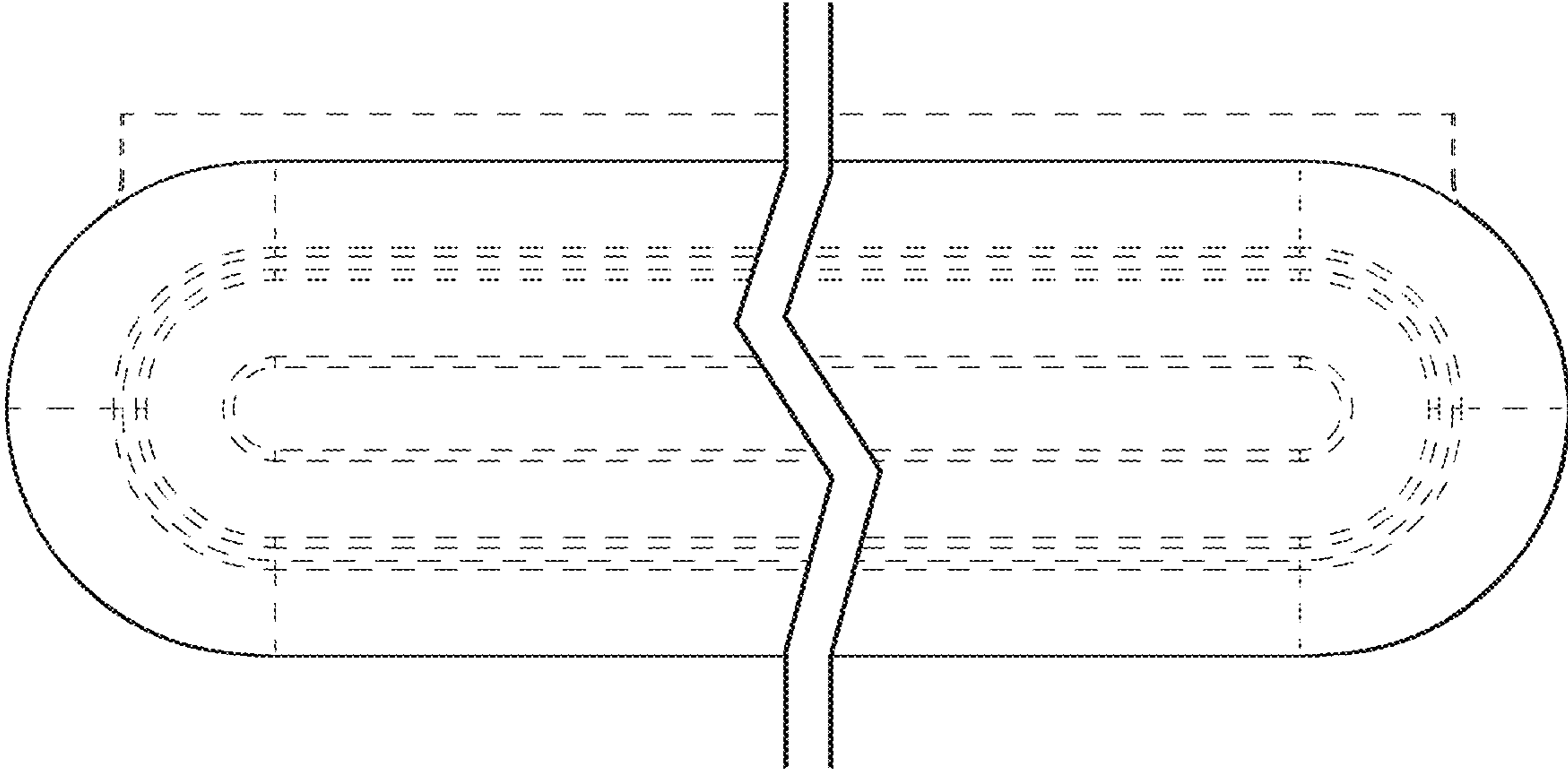


FIG. 7

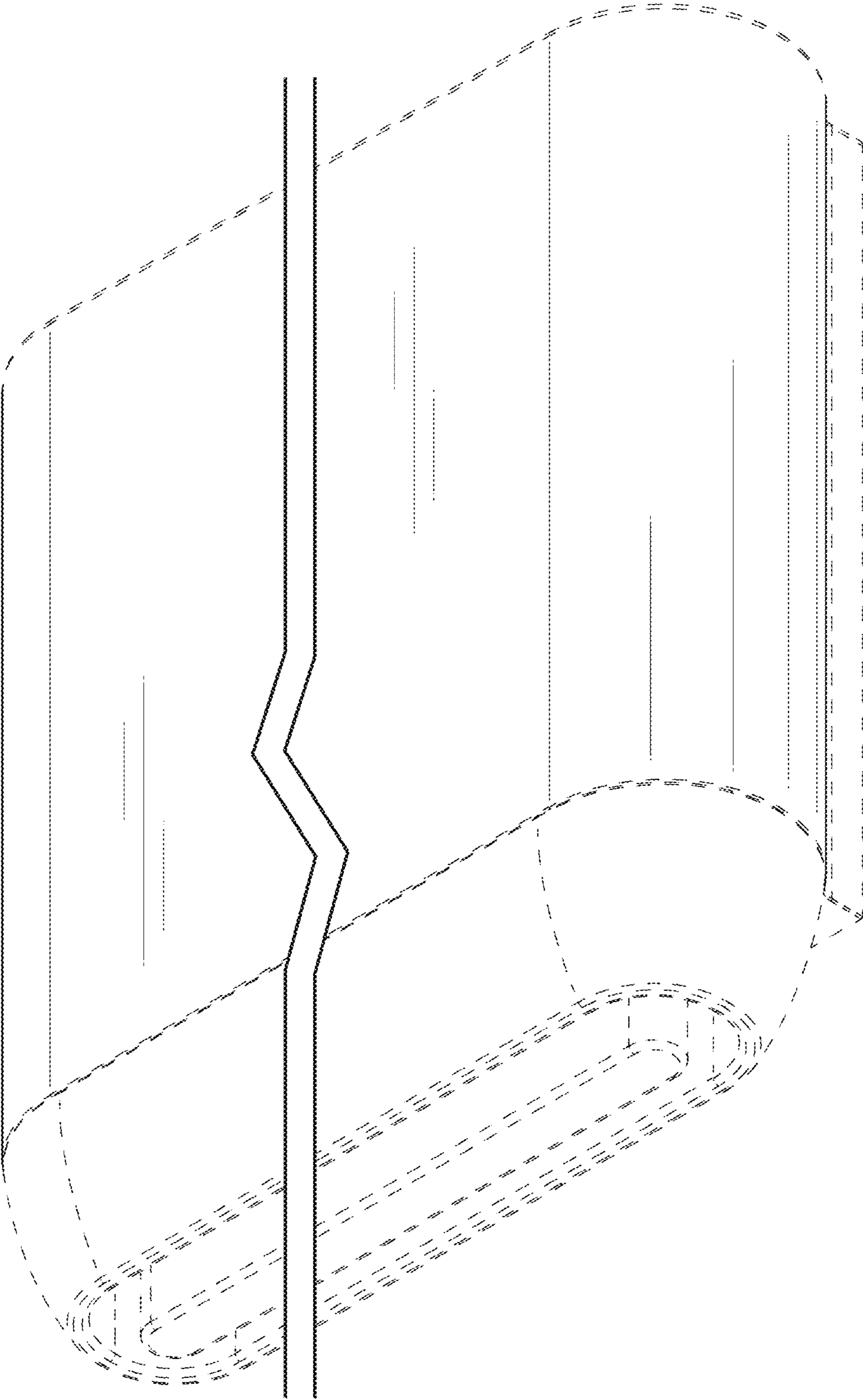


FIG. 8