



US00D948792S

(12) **United States Design Patent** (10) **Patent No.:** **US D948,792 S**  
**Riehle et al.** (45) **Date of Patent:** **\*\* Apr. 12, 2022**

- (54) **RAZOR HANDLE**
- (71) Applicant: **The Gillette Company LLC**, Boston, MA (US)
- (72) Inventors: **Jonathon Albert Riehle**, Brighton, MA (US); **Regan Marie Fiascone**, Boston, MA (US)
- (73) Assignee: **The Gillette Company LLC**, Boston, MA (US)
- (\*\*) Term: **15 Years**
- (21) Appl. No.: **29/732,634**
- (22) Filed: **Apr. 27, 2020**
- (51) **LOC (13) Cl.** ..... **28-03**
- (52) **U.S. Cl.**  
USPC ..... **D28/48**
- (58) **Field of Classification Search**  
USPC ..... D28/46-48  
CPC ... B26B 21/00; B26B 21/08; B26B 21/14-18;  
B26B 21/185-227; B26B 21/40; B26B 21/4062-4075; B26B 21/44-48; B26B 21/30-32; B26B 21/50-528  
See application file for complete search history.

D500,171 S *	12/2004	Lee	.....	D28/46
7,152,512 B1 *	12/2006	Prochaska	.....	B26B 21/225 83/13
D619,765 S *	7/2010	Rhoad	.....	D28/48
D670,029 S *	10/2012	Hasegawa	.....	D28/48
D703,377 S *	4/2014	Christie	.....	D28/48
D729,452 S *	5/2015	Griffin	.....	D28/48
D731,709 S *	6/2015	Provost	.....	D28/48
D739,605 S *	9/2015	Christie	.....	D28/48
D822,278 S *	7/2018	Ahn	.....	D28/48
D843,659 S *	3/2019	Go	.....	D28/48
D877,982 S *	3/2020	Bittencourt	.....	D28/46

\* cited by examiner

*Primary Examiner* — Jennifer Rivard

(74) *Attorney, Agent, or Firm* — Joanne N. Pappas; Kevin C. Johnson

(57) **CLAIM**

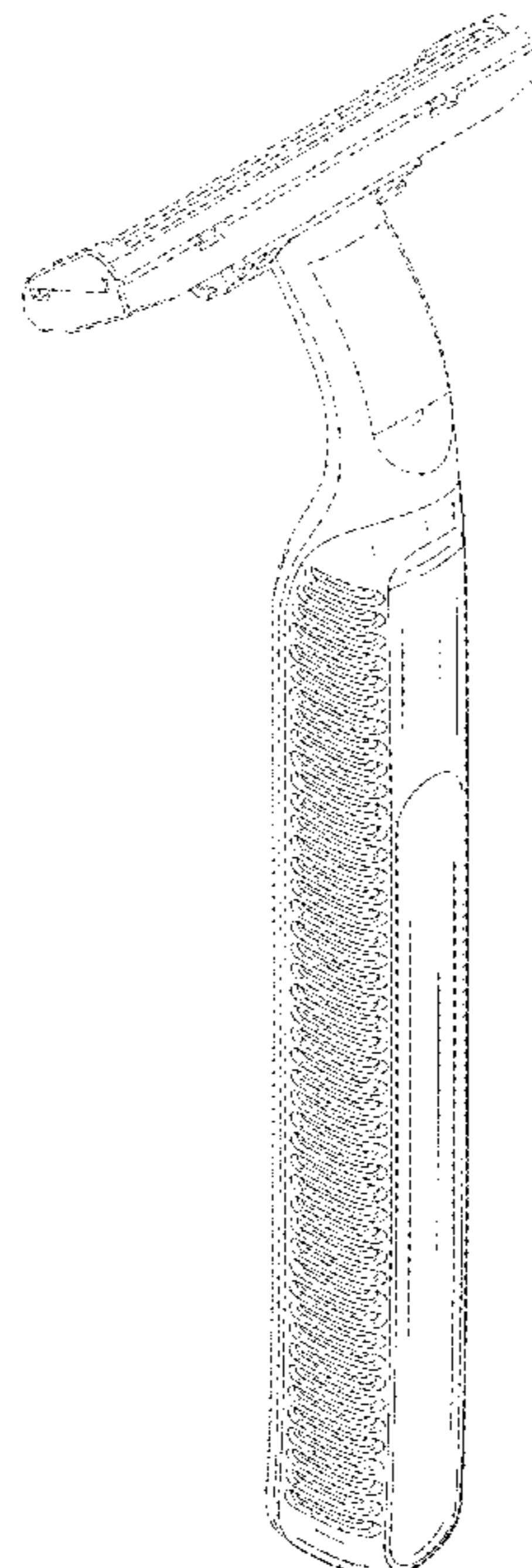
The ornamental design for a razor handle, as shown and described.

**DESCRIPTION**

FIG. 1 is a perspective view of a design of a razor handle of the present invention;  
 FIG. 2 is a front view thereof;  
 FIG. 3 is a back view thereof;  
 FIG. 4 is a right side view thereof;  
 FIG. 5 is a left side view thereof;  
 FIG. 6 is a top view thereof;  
 FIG. 7 is a bottom view thereof; and,  
 FIG. 8 is a rear perspective view thereof.

The broken lines disclosure of the cartridge illustrates the environment. The remaining broken lines illustrate portions of the razor handle. None of the broken lines form part of the claimed design.

**1 Claim, 6 Drawing Sheets**



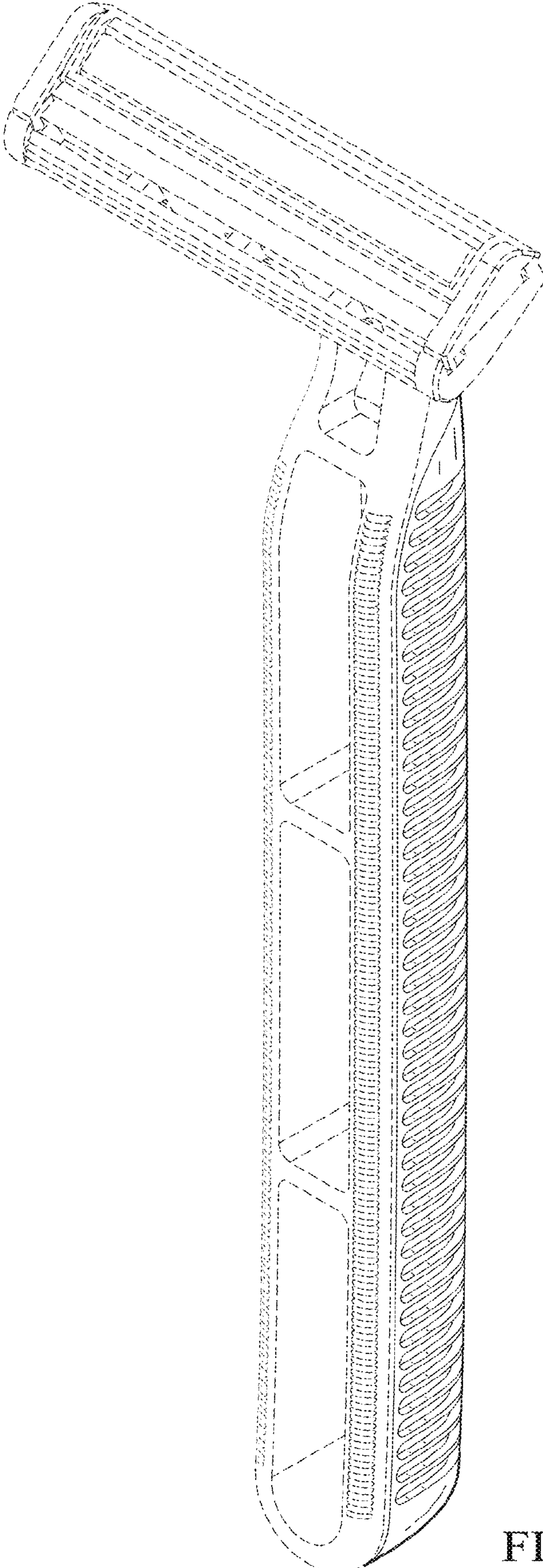


FIG. 1

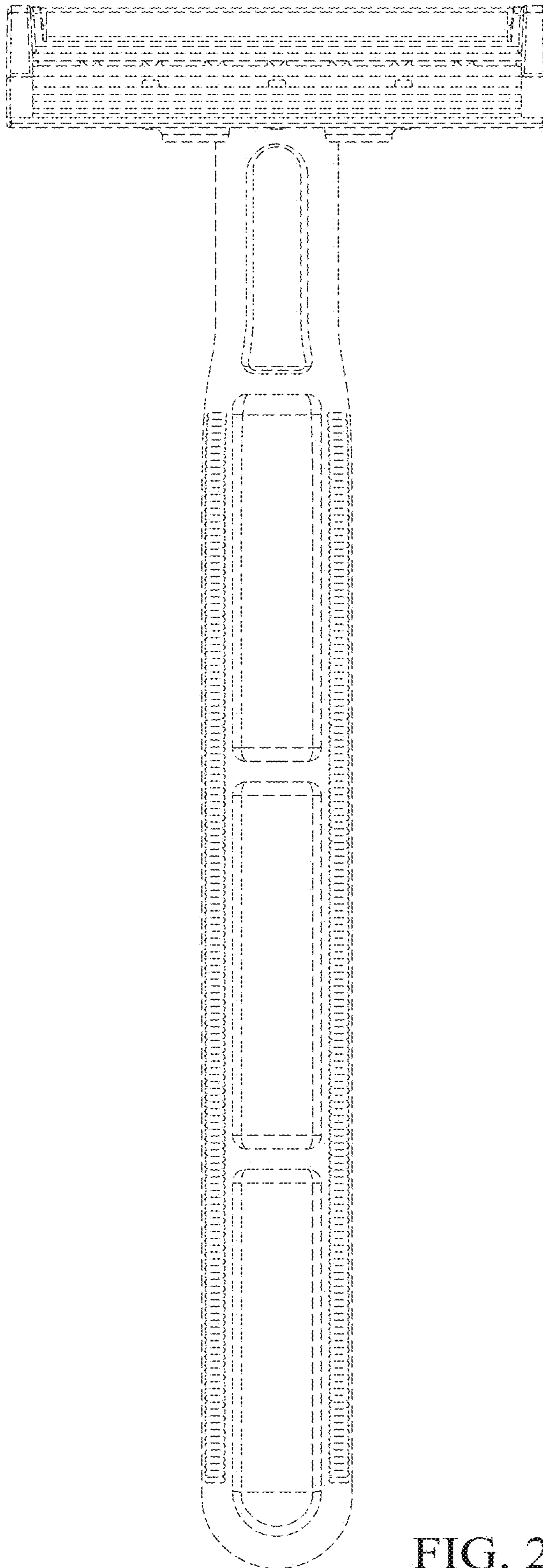


FIG. 2

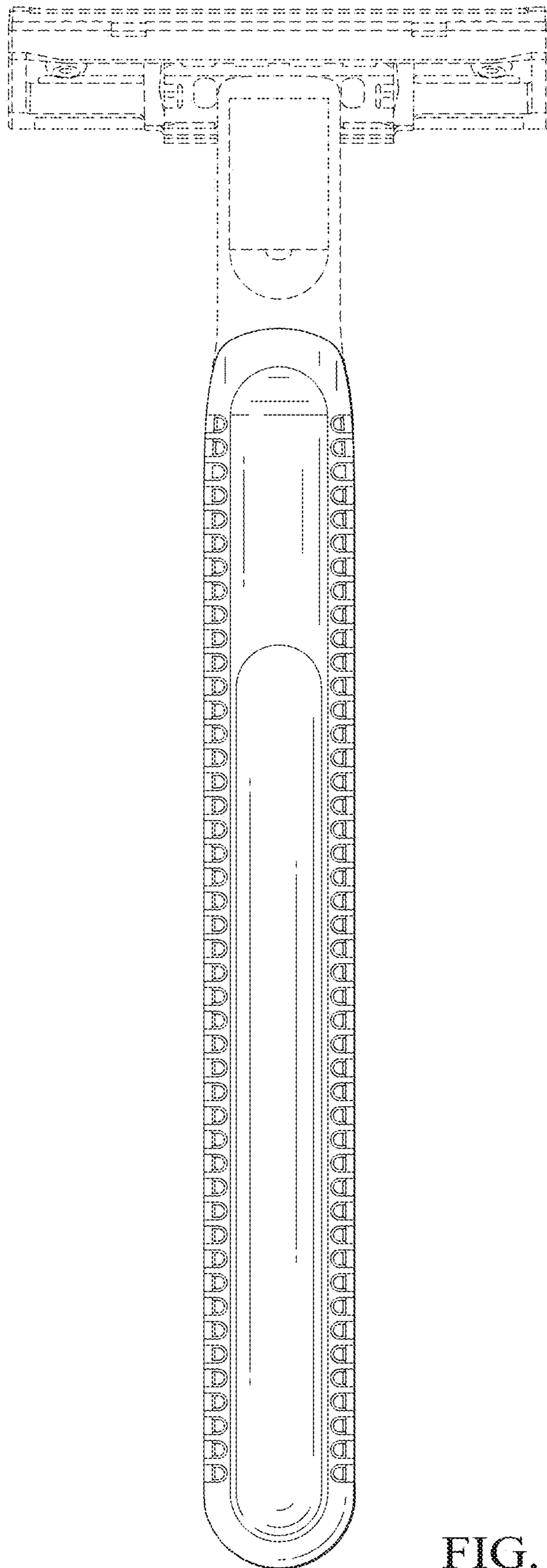


FIG. 3

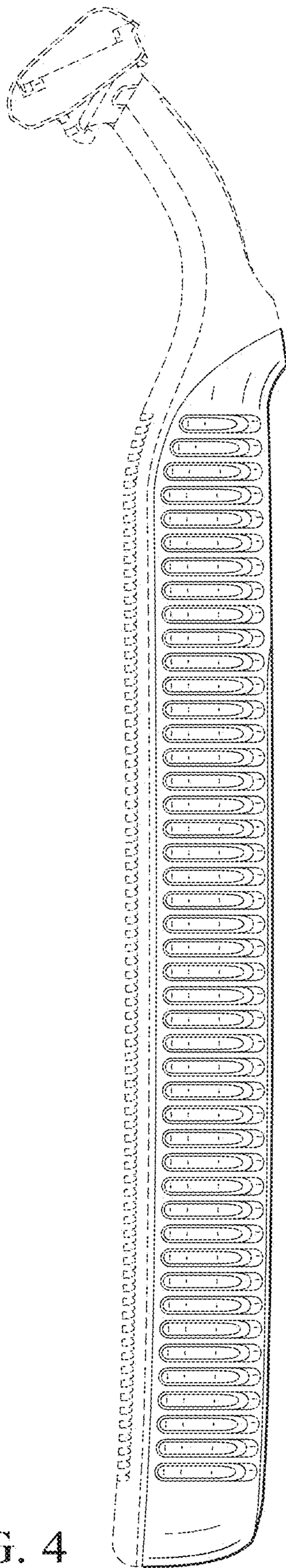


FIG. 4

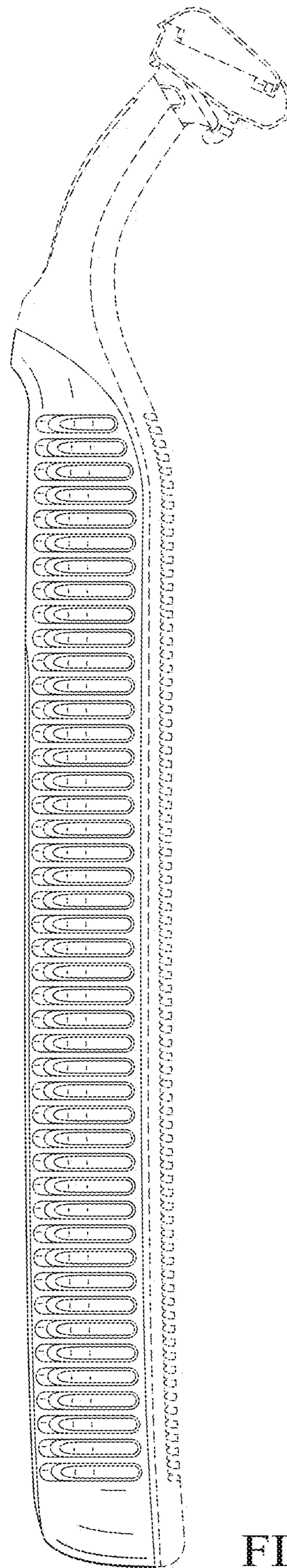


FIG. 5

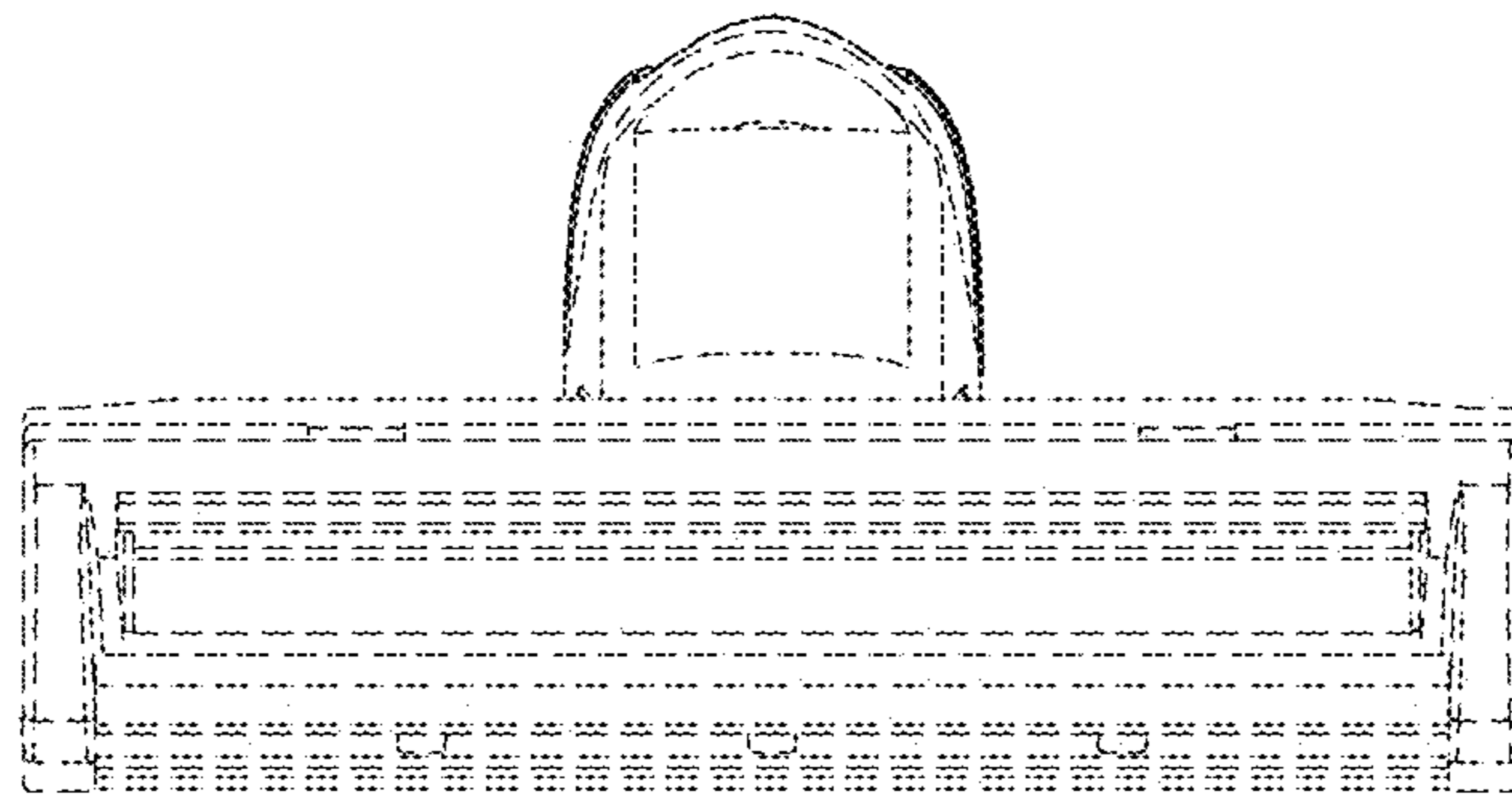


FIG. 6

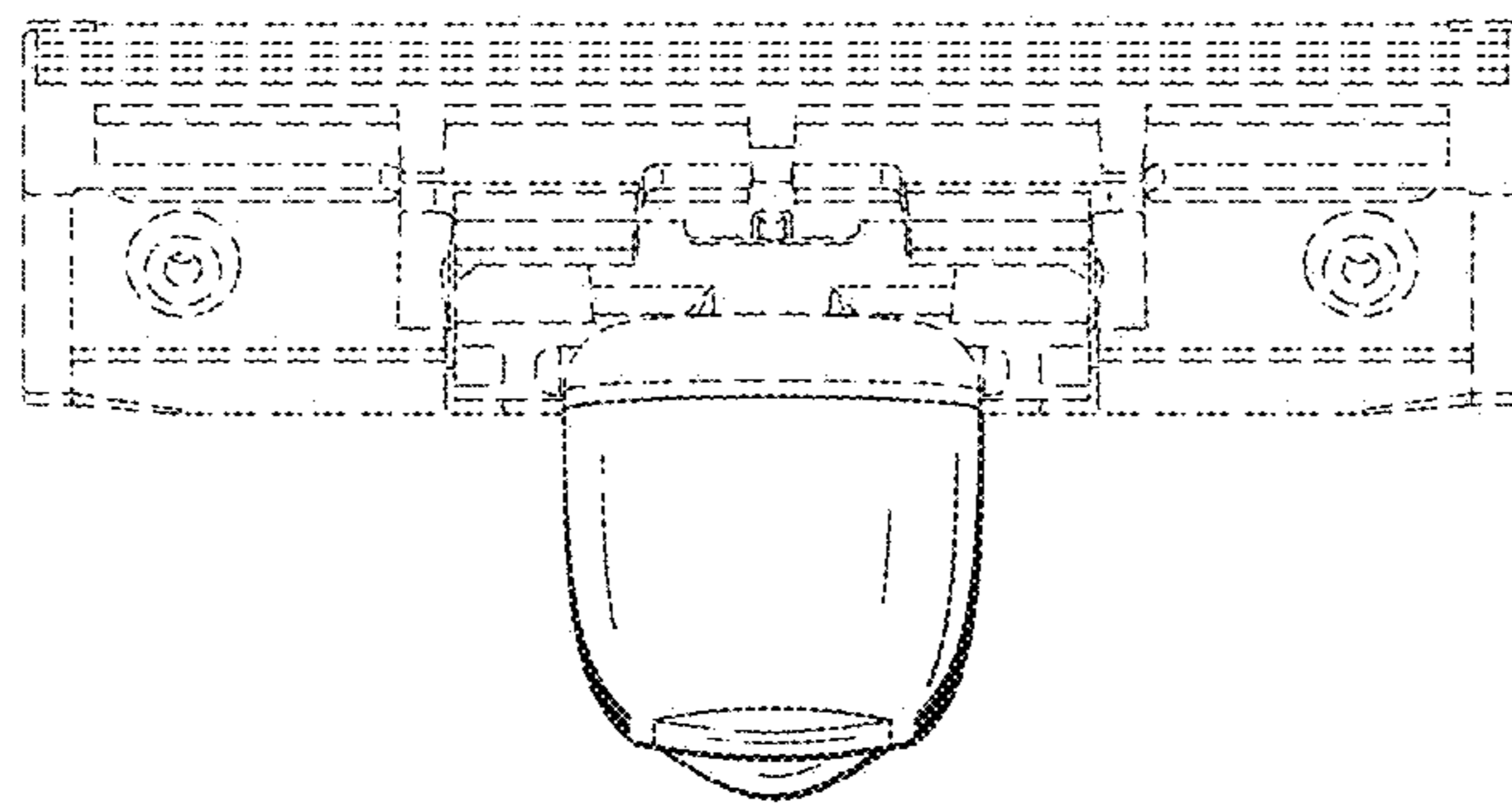


FIG. 7

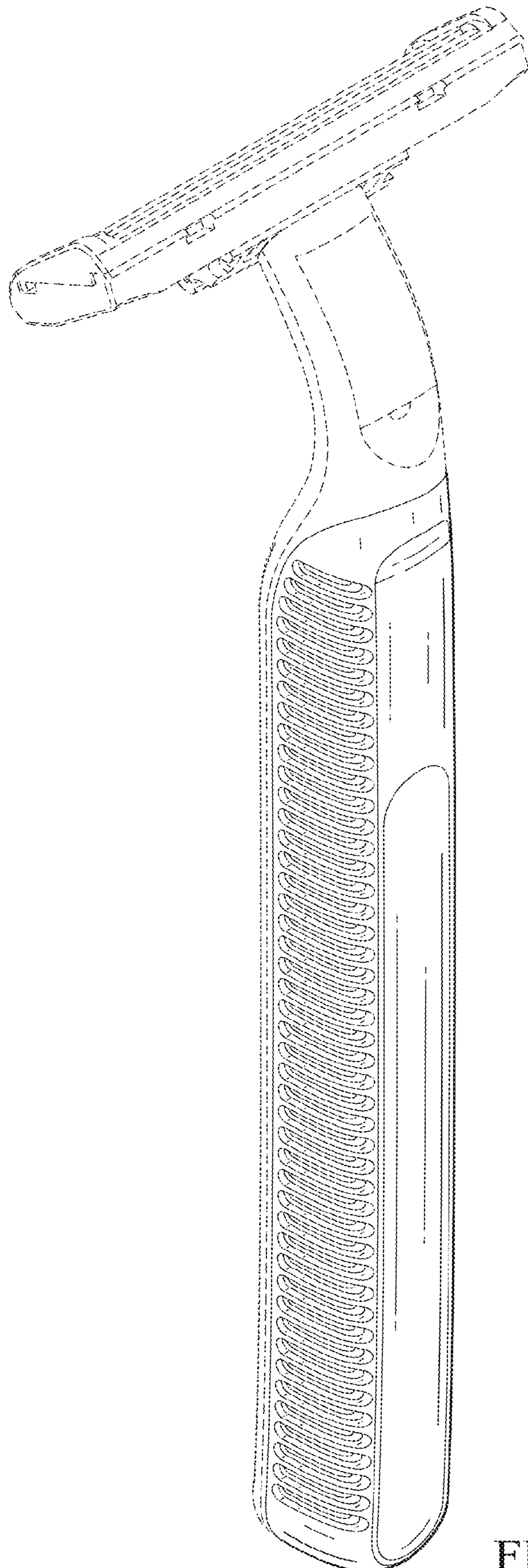


FIG. 8