



US00D948791S

(12) **United States Design Patent**  
**Sopuch**

(10) **Patent No.:** **US D948,791 S**

(45) **Date of Patent:** **\*\* Apr. 12, 2022**

- (54) **MODULAR RAZOR CARTRIDGE CLASP**
- (71) Applicant: **Michael Sopuch**, Missoula, MT (US)
- (72) Inventor: **Michael Sopuch**, Missoula, MT (US)
- (\*\*) Term: **15 Years**
- (21) Appl. No.: **29/742,086**
- (22) Filed: **Dec. 6, 2019**
- (51) **LOC (13) Cl.** ..... **28-03**
- (52) **U.S. Cl.**  
USPC ..... **D28/47**
- (58) **Field of Classification Search**  
USPC ..... D28/46-48  
CPC ... B26B 21/521; B26B 21/528; B26B 21/227;  
B26B 21/225; B26B 21/222  
See application file for complete search history.

8,793,880 B2 *	8/2014	Taub .....	B26B 21/521 30/50
D737,513 S *	8/2015	Lettenberger .....	D28/47
D741,008 S *	10/2015	Bruno .....	D28/47
D775,423 S *	12/2016	Bae .....	D28/47
D789,606 S *	6/2017	Lee .....	D28/47
D819,272 S *	5/2018	Evarts .....	D28/47
D827,200 S *	8/2018	Washington .....	D28/47
D863,681 S *	10/2019	Jin .....	D28/48
D917,783 S *	4/2021	Lee .....	D28/47

\* cited by examiner

*Primary Examiner* — Jennifer Rivard

(57) **CLAIM**

I claim the ornamental design for a modular razor cartridge clasp, as shown and described.

**DESCRIPTION**

FIG. 1 is a right side perspective view of the modular razor cartridge clasp, the left side perspective view being a mirror image thereof;

FIG. 2 is a bottom perspective view thereof;

FIG. 3 is a top perspective view thereof;

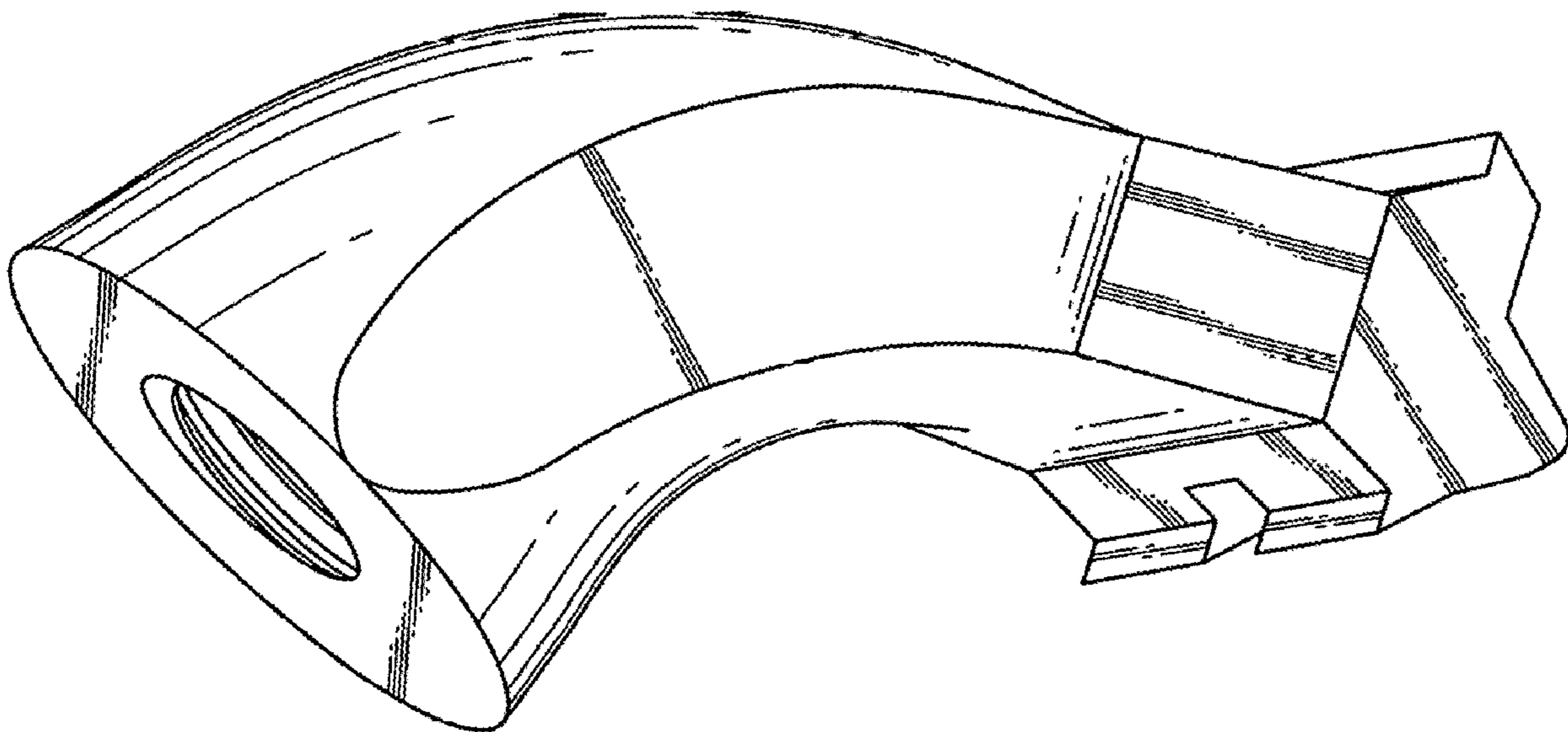
FIG. 4 is a left side elevational view thereof;

FIG. 5 is a rear elevational view thereof; and,

FIG. 6 is a top plan view thereof.

**1 Claim, 6 Drawing Sheets**

- (56) **References Cited**  
U.S. PATENT DOCUMENTS  
4,922,609 A \* 5/1990 Grange ..... B26B 21/521  
30/57  
D603,097 S \* 10/2009 Cataudella ..... D28/47  
D664,712 S \* 7/2012 Christie ..... D28/47  
D664,713 S \* 7/2012 Christie ..... D28/47



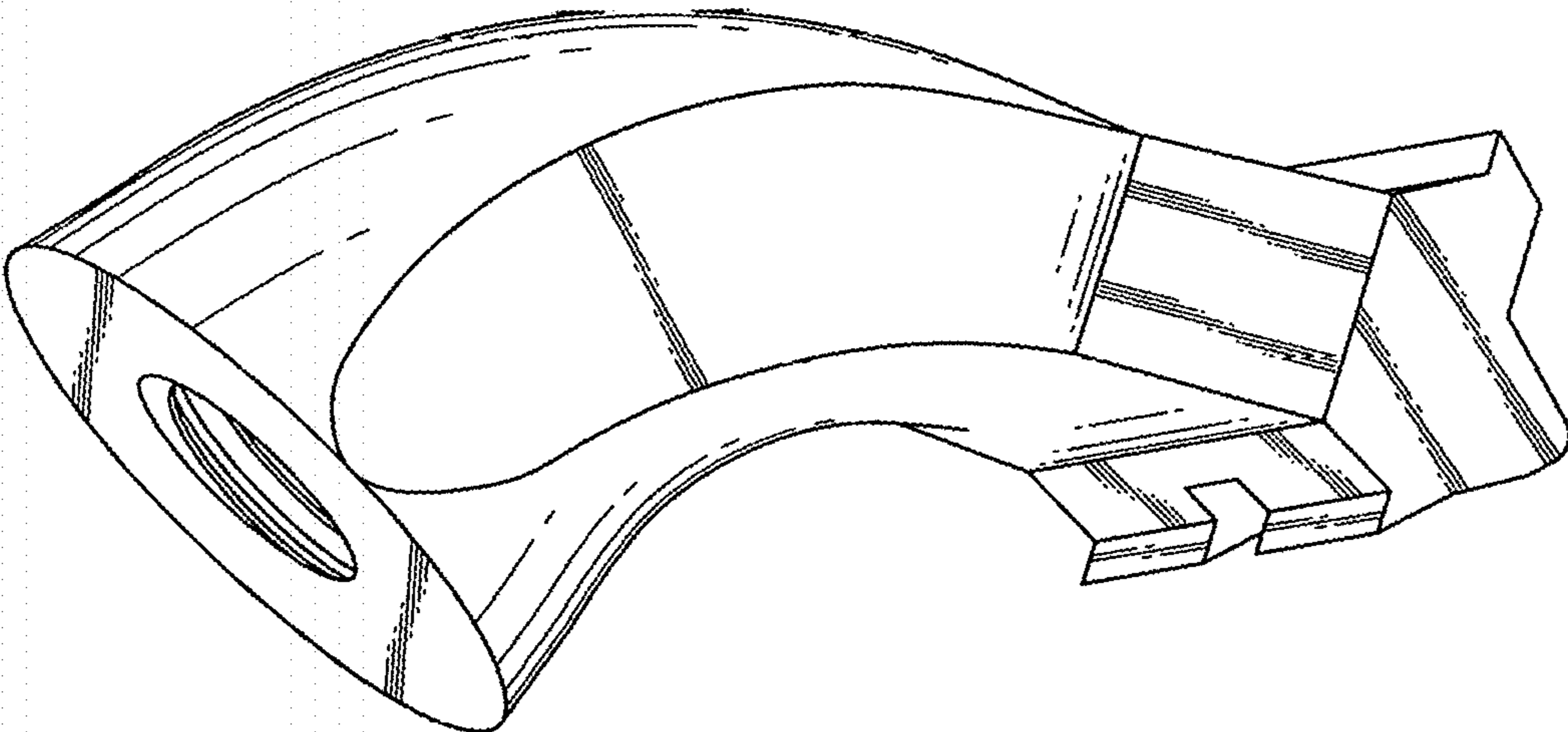


FIG. 1

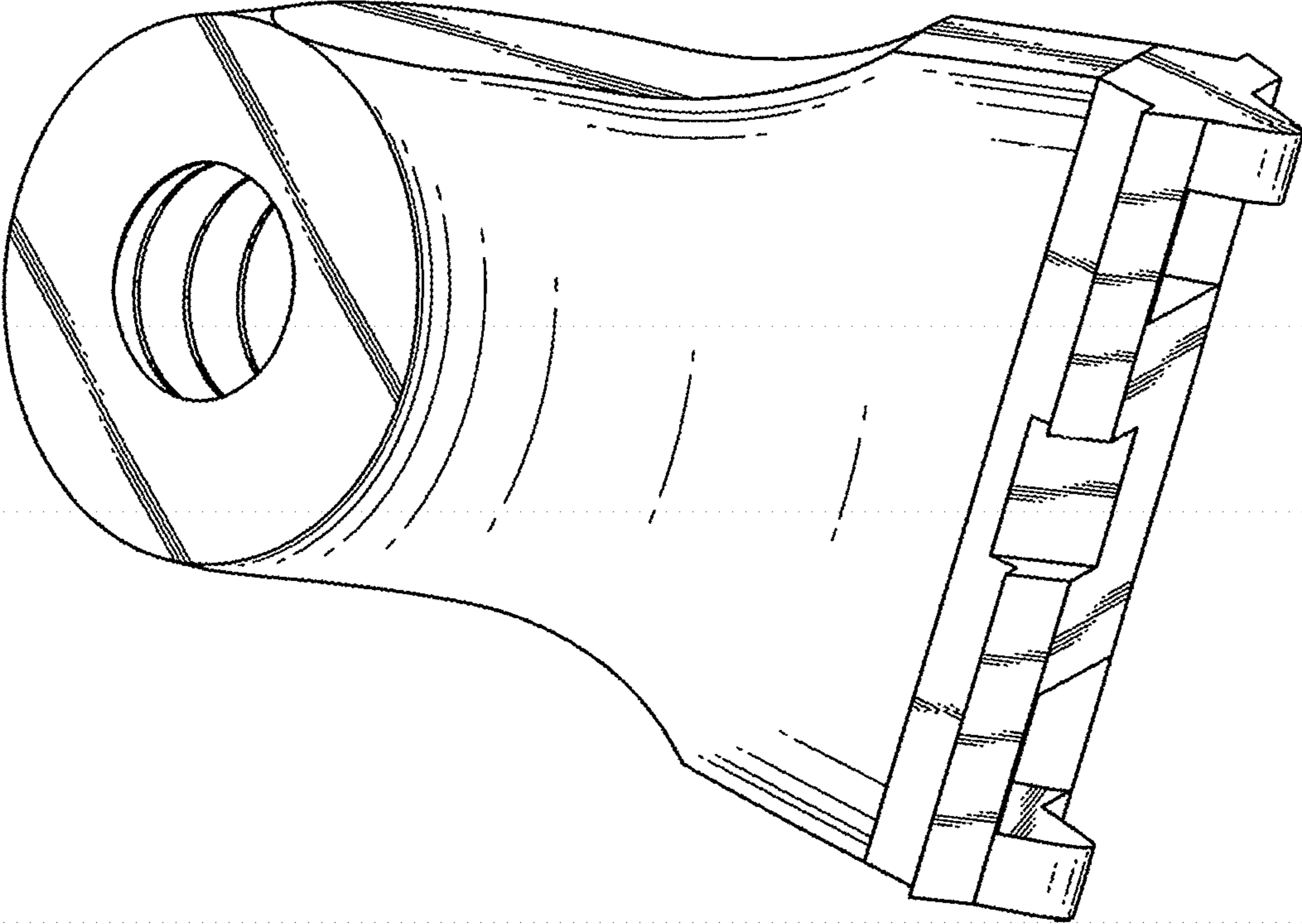


FIG. 2

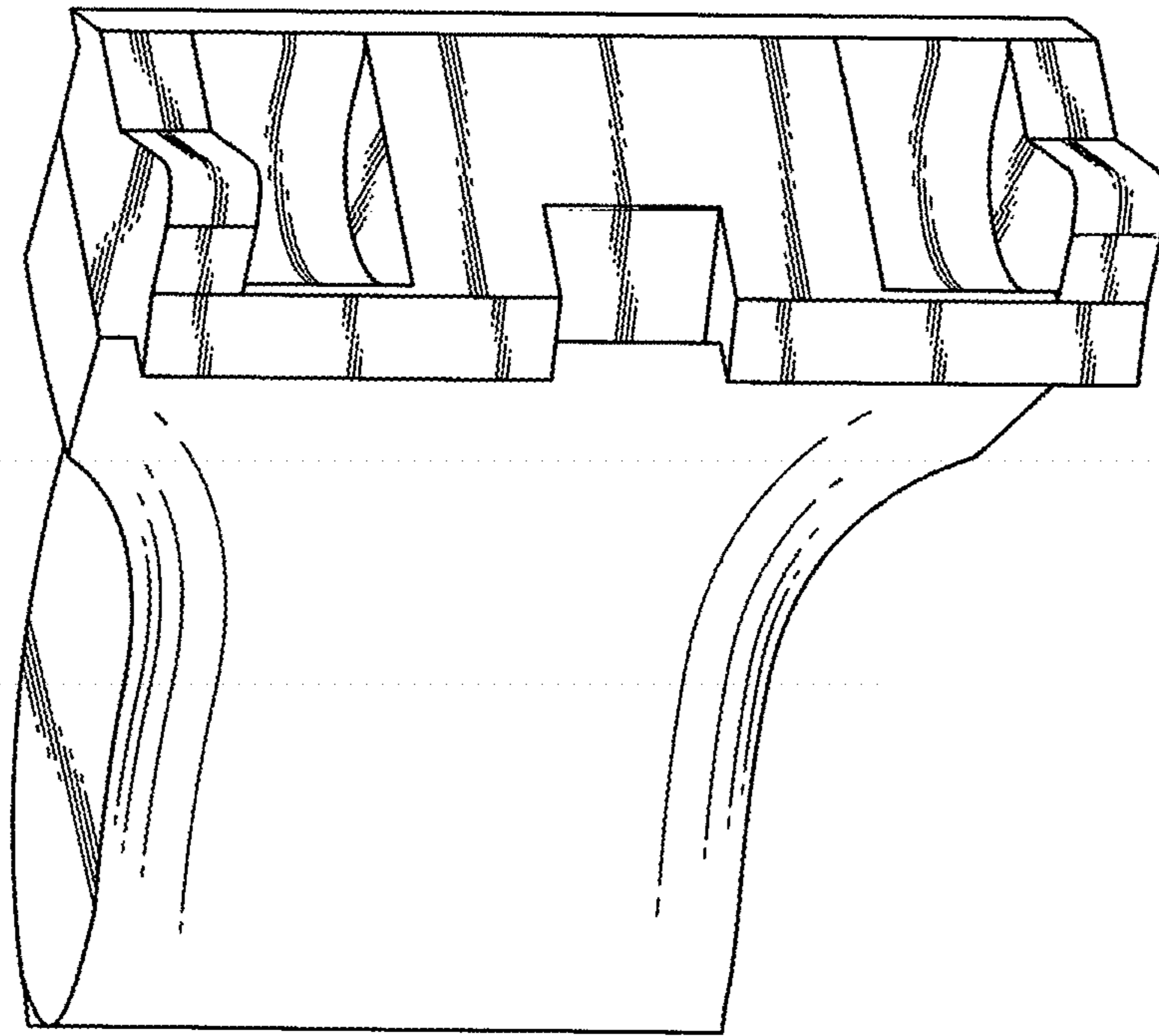


FIG. 3

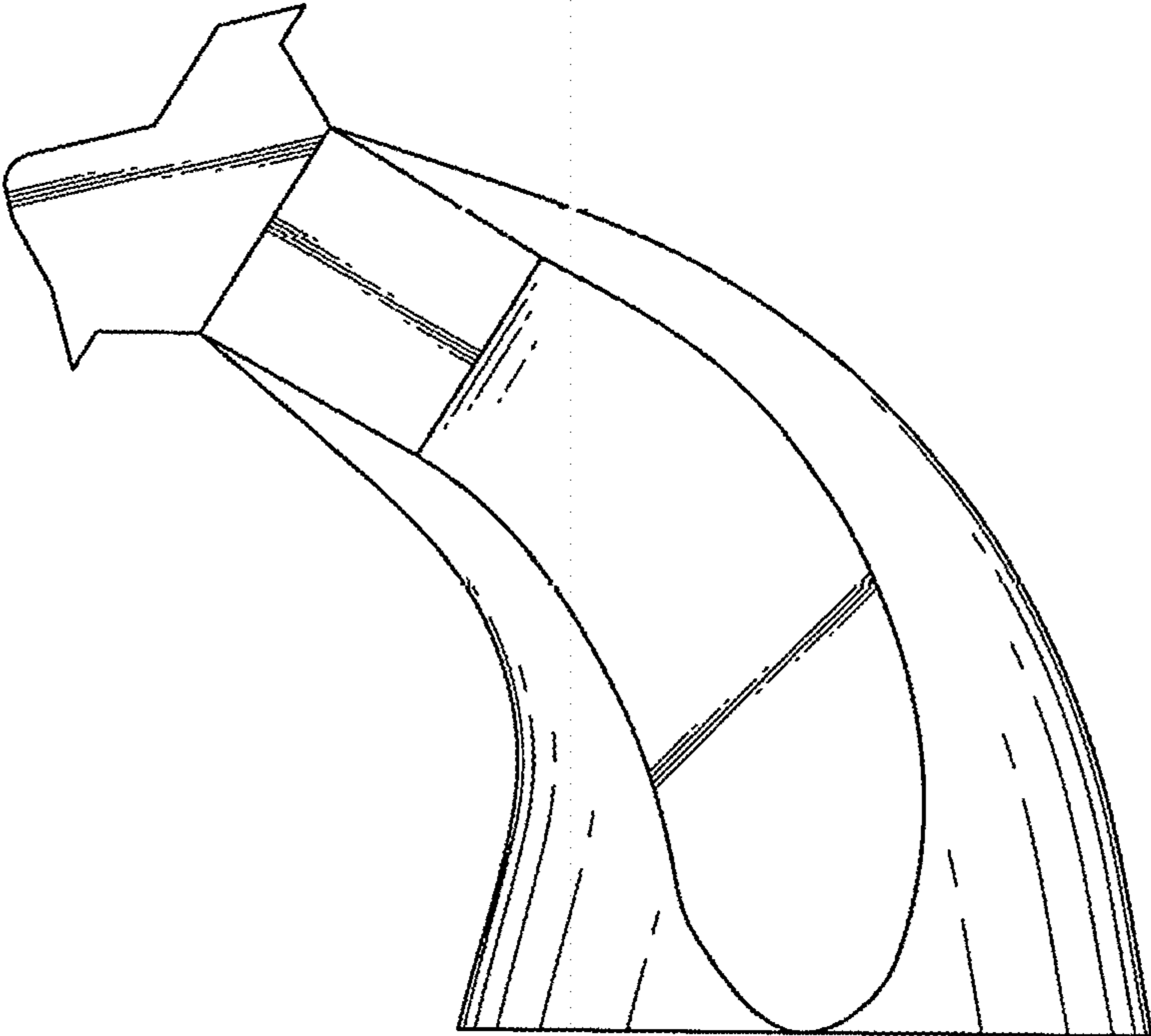


FIG. 4

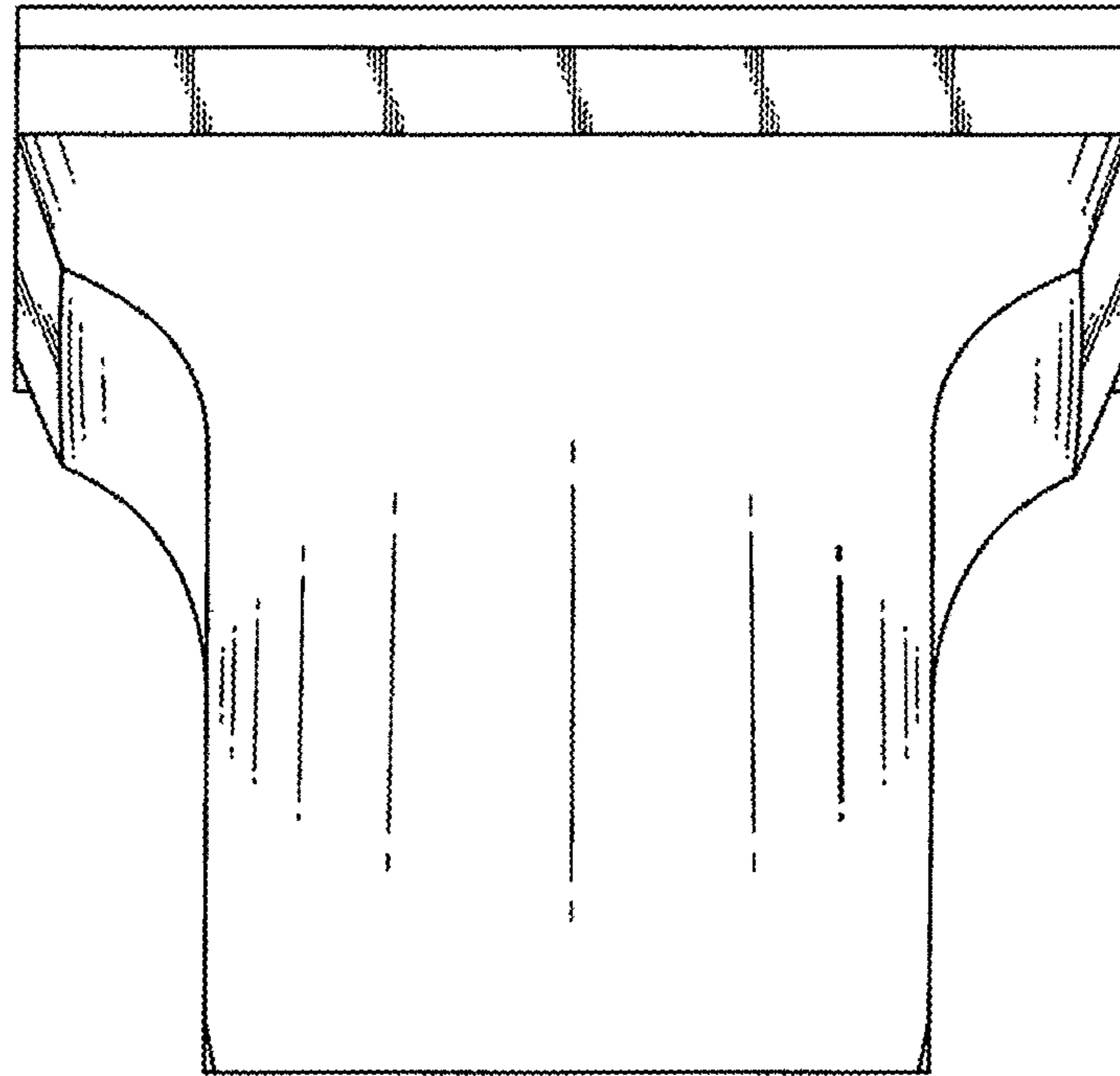


FIG. 5



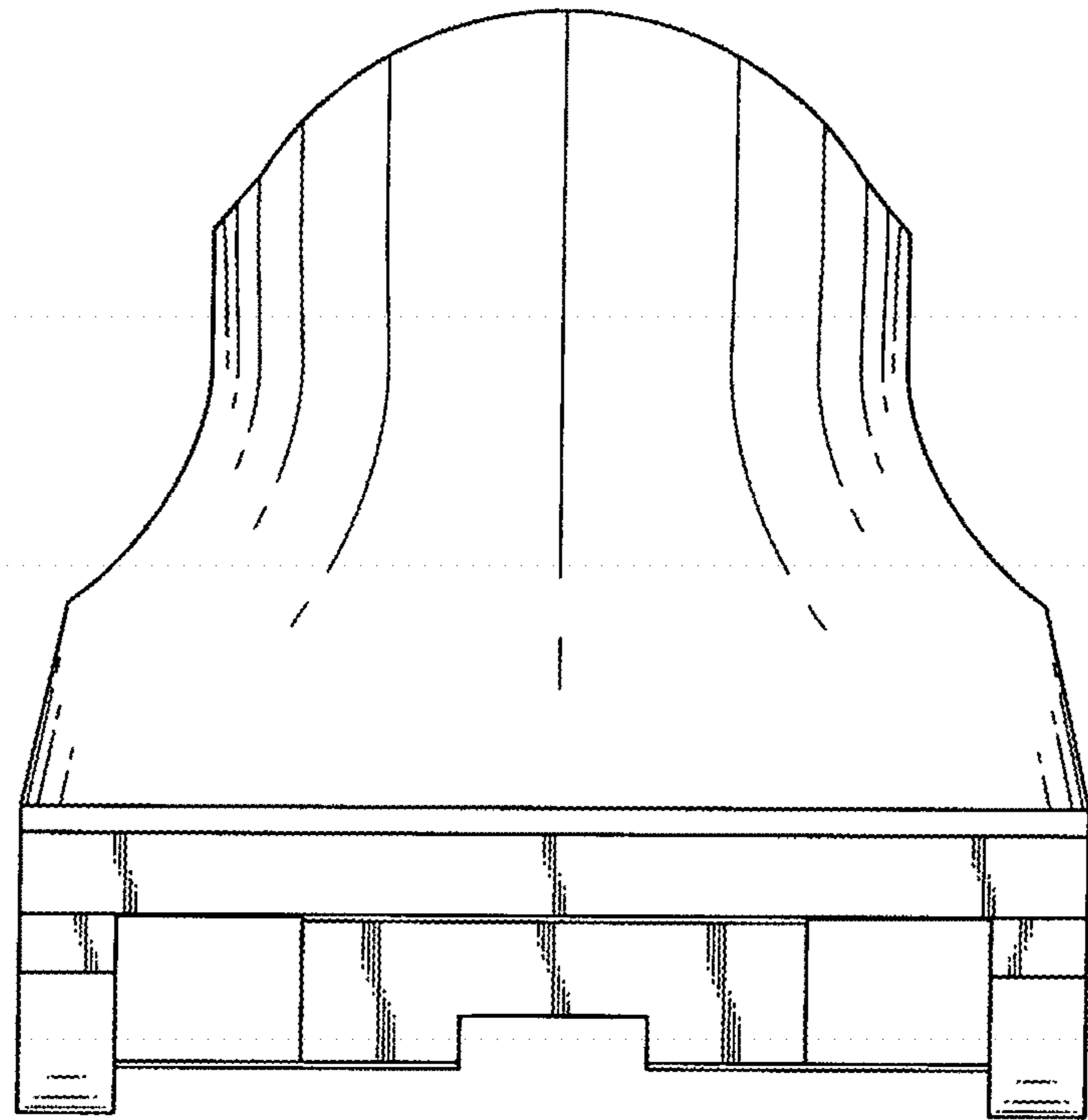


FIG. 6