



US00D948790S

(12) **United States Design Patent** (10) **Patent No.:** **US D948,790 S**
Fan et al. (45) **Date of Patent:** **** Apr. 12, 2022**

(54) **RAZOR** D250,849 S * 1/1979 Harshberger D28/46
D252,528 S * 7/1979 Harshberger D28/46
(71) Applicant: **Guangzhou Weidi Technology Co.,** D636,531 S * 4/2011 Wilson D28/46
Ltd., Guangdong (CN) D870,379 S * 12/2019 Lambert D28/46
D875,314 S * 2/2020 Makabi D28/48
(72) Inventors: **Rong Fan, Guangdong (CN); Zhijian** D875,315 S * 2/2020 Makabi D28/48
Huang, Guangdong (CN) 10,807,256 B2 * 10/2020 Nordstrom B26B 21/18
2016/0075040 A1 * 3/2016 Nordstrom B26B 21/18
(73) Assignee: **Guangzhou Weidi Technology Co.,** 2018/0065264 A1 * 3/2018 Gilor B26B 21/18
Ltd., Guangdong (TW)

(**) Term: **15 Years**

(21) Appl. No.: **29/749,290**

(22) Filed: **Sep. 3, 2020**

(30) **Foreign Application Priority Data**
Jun. 29, 2020 (CN) 202030339208.2

(51) **LOC (13) Cl.** **28-03**
(52) **U.S. Cl.**
USPC **D28/46**

(58) **Field of Classification Search**
USPC D28/45-51, 99; D24/146, 147
CPC B26B 21/00; B26B 21/08; B26B 21/14;
B26B 21/40; B26B 21/44; B26B 21/52;
B26B 21/528
See application file for complete search history.

(56) **References Cited**
U.S. PATENT DOCUMENTS
2,635,843 A * 4/1953 Floyd A45D 27/29
248/309.1
2,666,982 A * 1/1954 Schroder B26B 21/42
30/31

* cited by examiner

Primary Examiner — Jennifer Rivard
Assistant Examiner — Alison M Ofstun
(74) *Attorney, Agent, or Firm* — JCIP Global Inc.

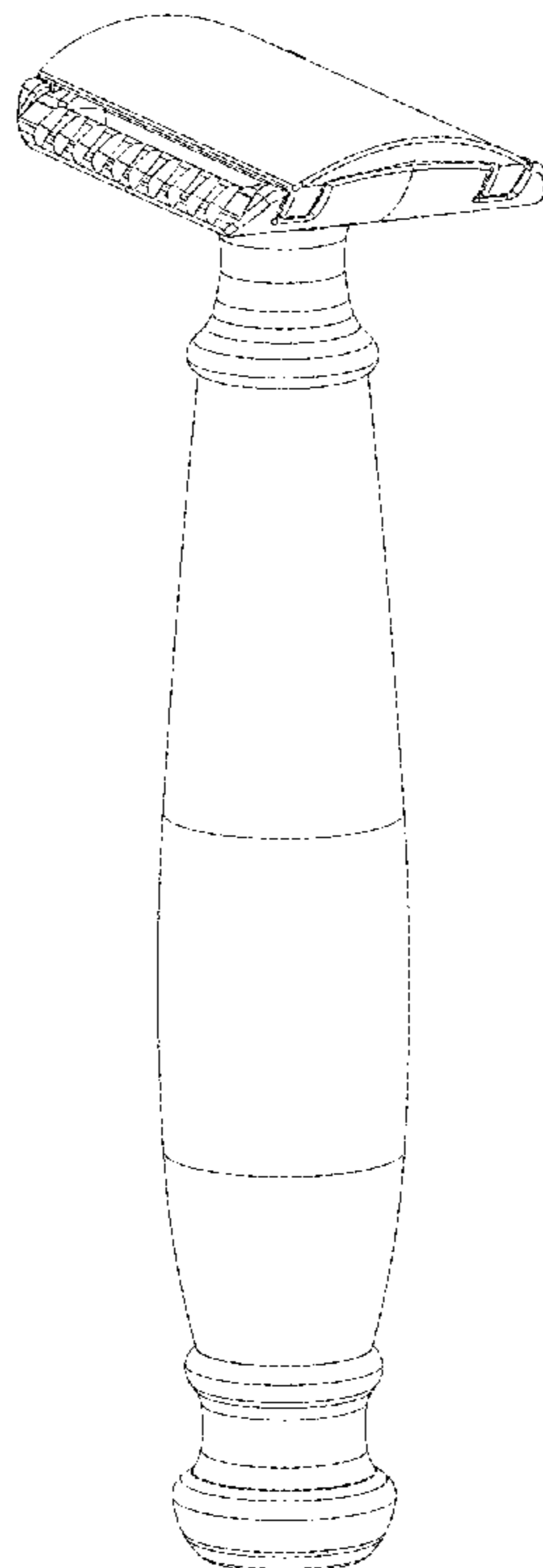
(57) **CLAIM**

The ornamental design for a razor, as shown.

DESCRIPTION

FIG. 1 is a top perspective view of a razor showing our new design;
FIG. 2 is a bottom perspective view thereof;
FIG. 3 is a front perspective view thereof;
FIG. 4 is another bottom perspective view thereof;
FIG. 5 is a front view thereof;
FIG. 6 is a rear view thereof;
FIG. 7 is a left side view thereof;
FIG. 8 is a right side view thereof;
FIG. 9 is an enlarged top view thereof; and,
FIG. 10 is an enlarged bottom view thereof.

1 Claim, 9 Drawing Sheets



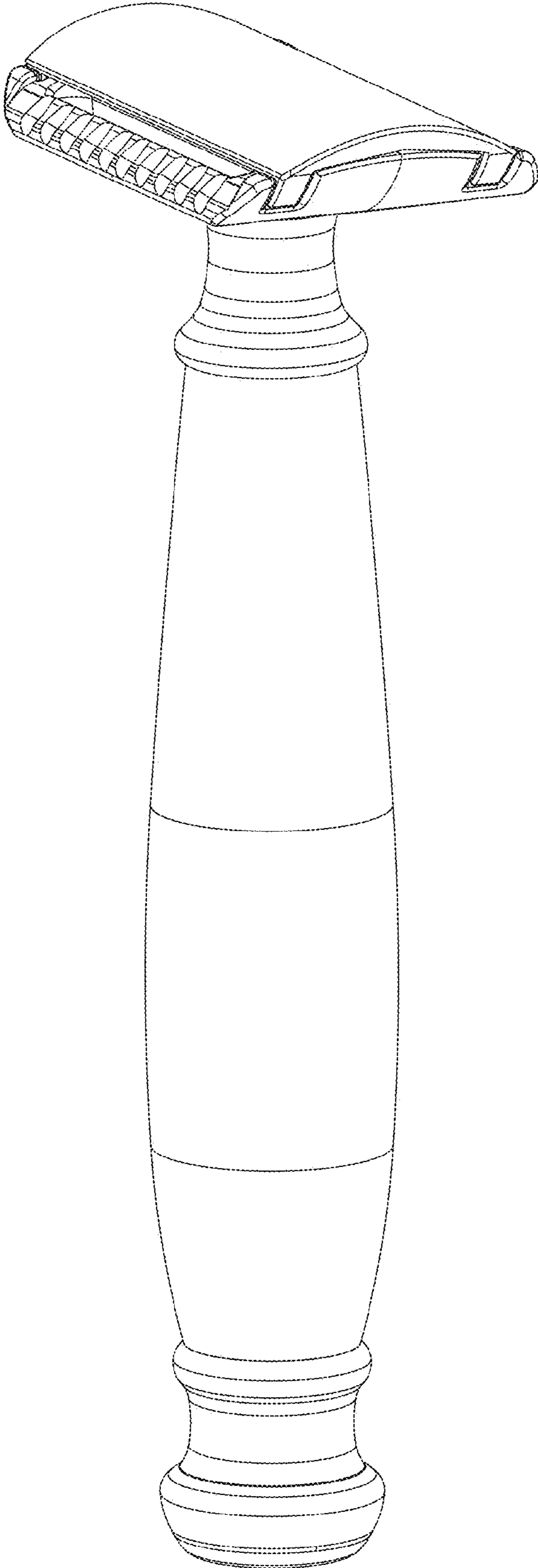


FIG. 1

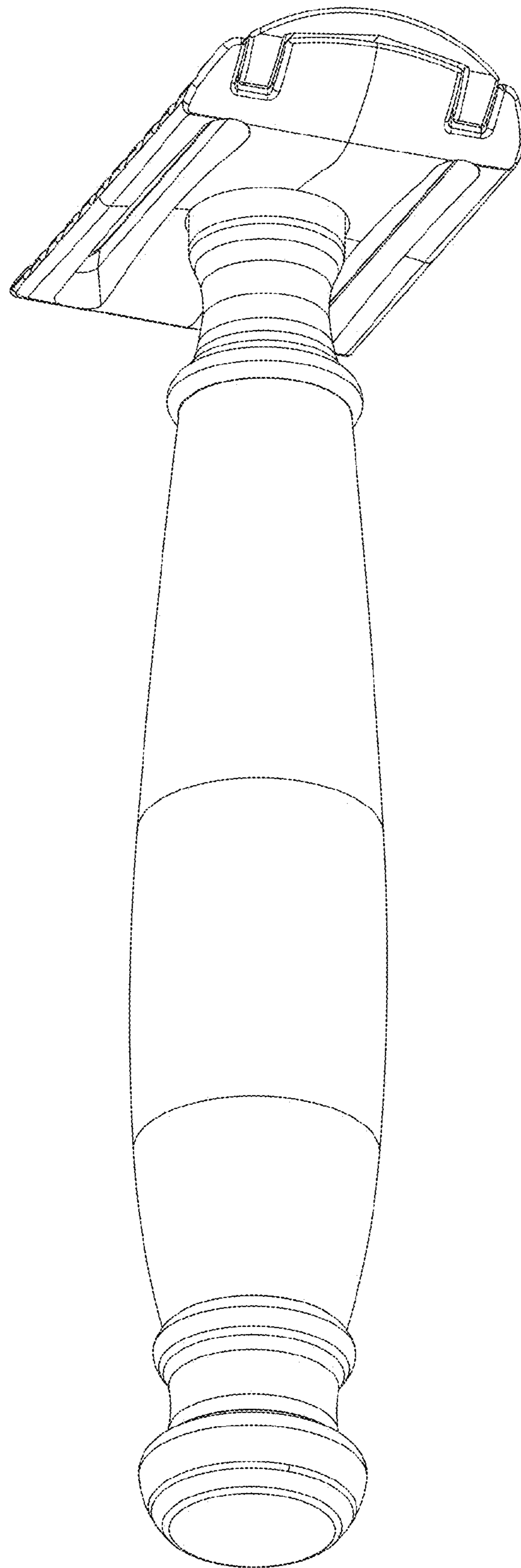


FIG. 2

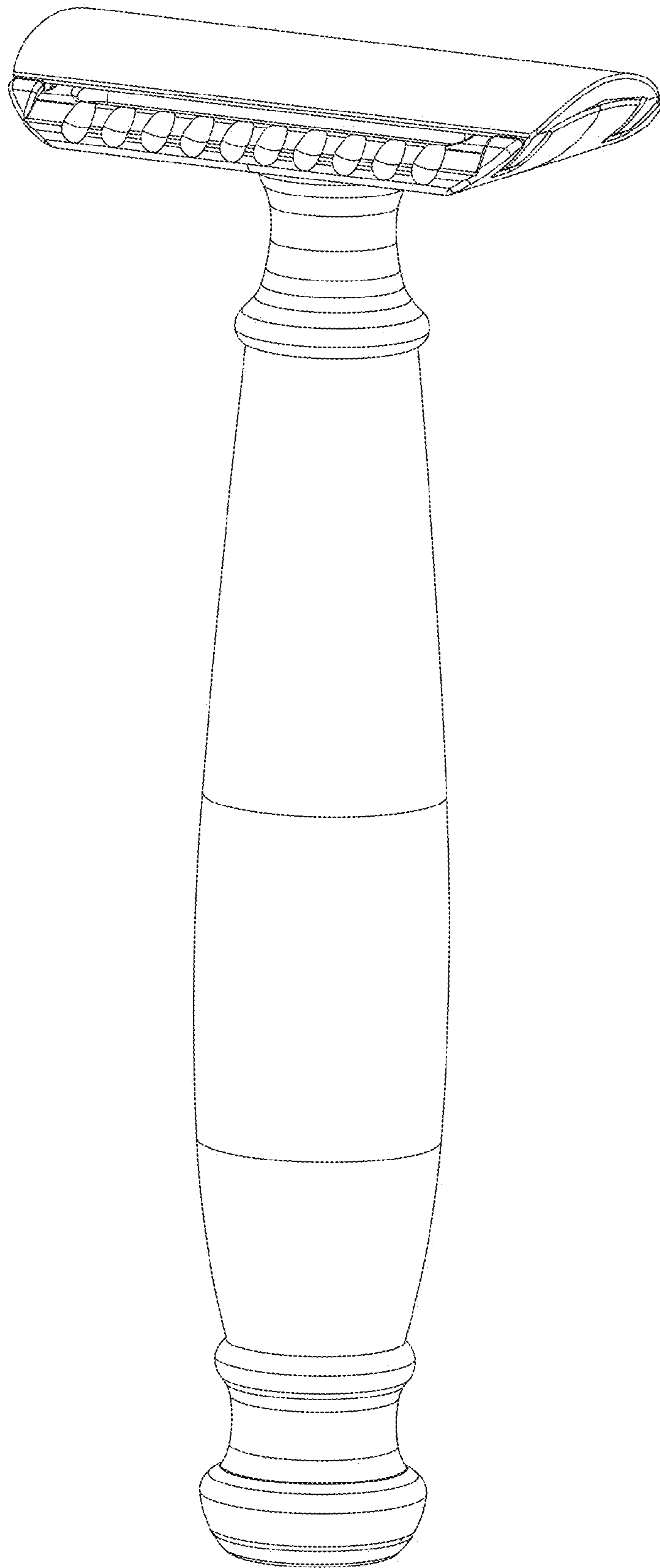


FIG. 3

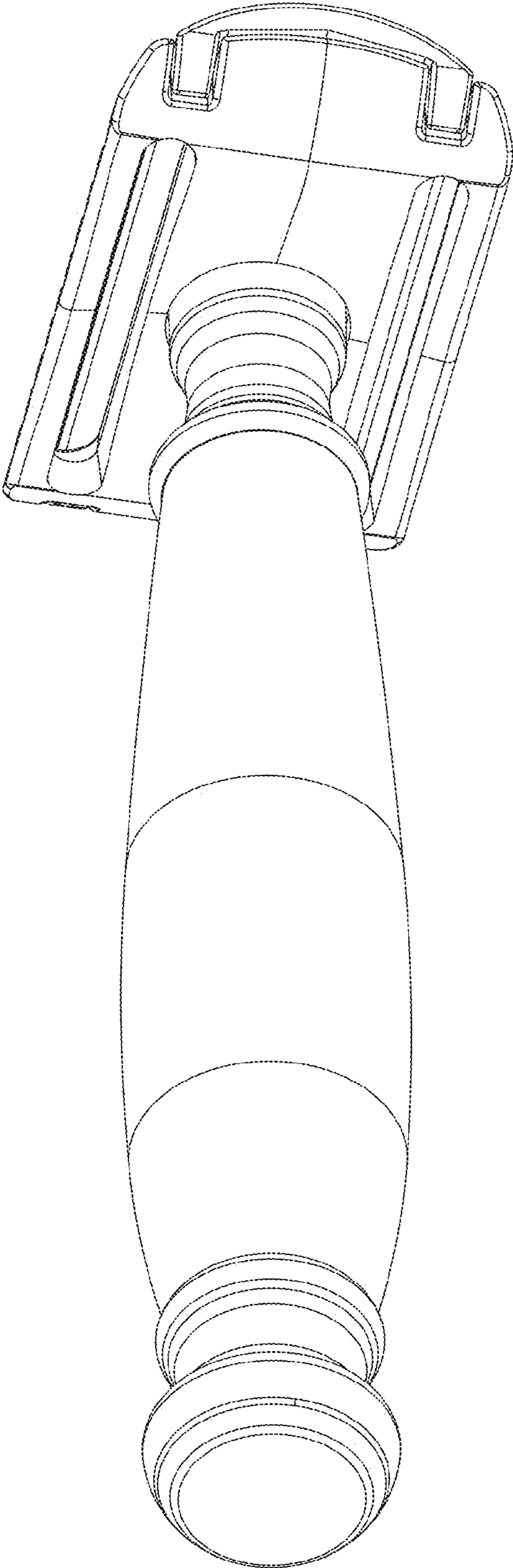


FIG. 4

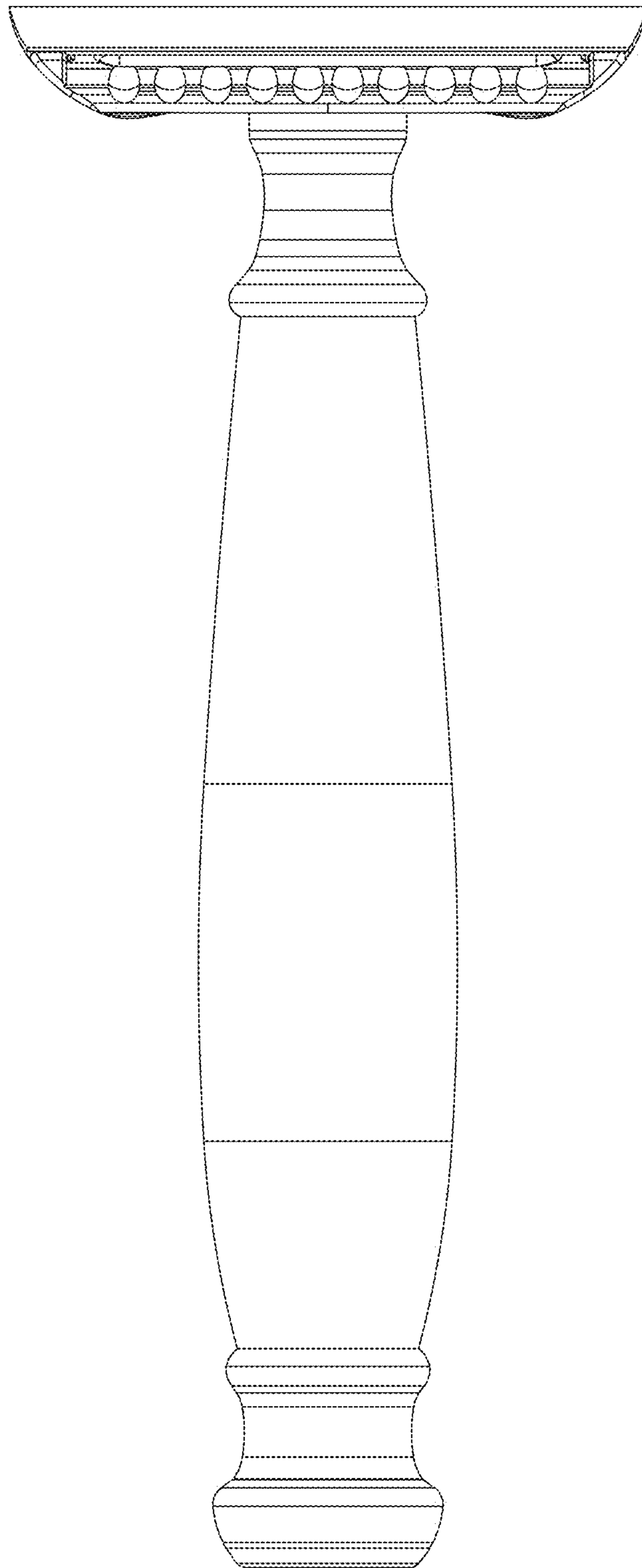


FIG. 5

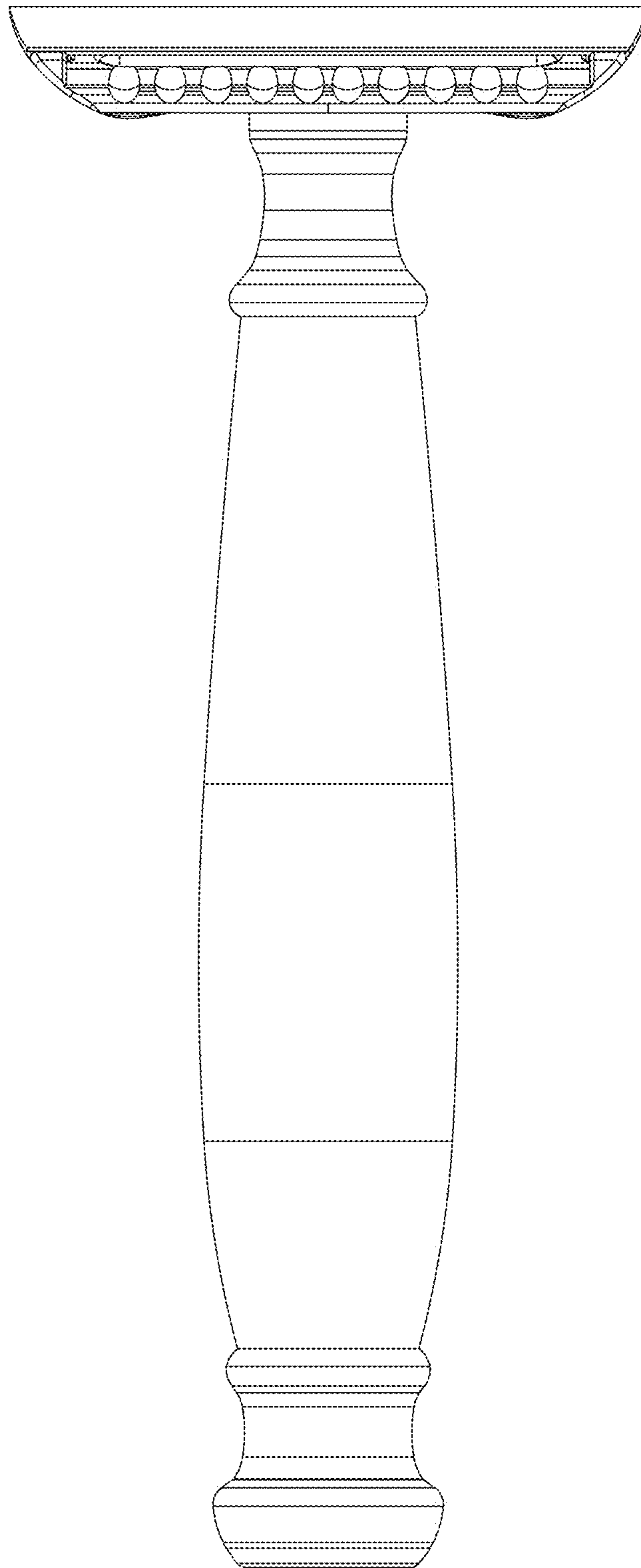


FIG. 6

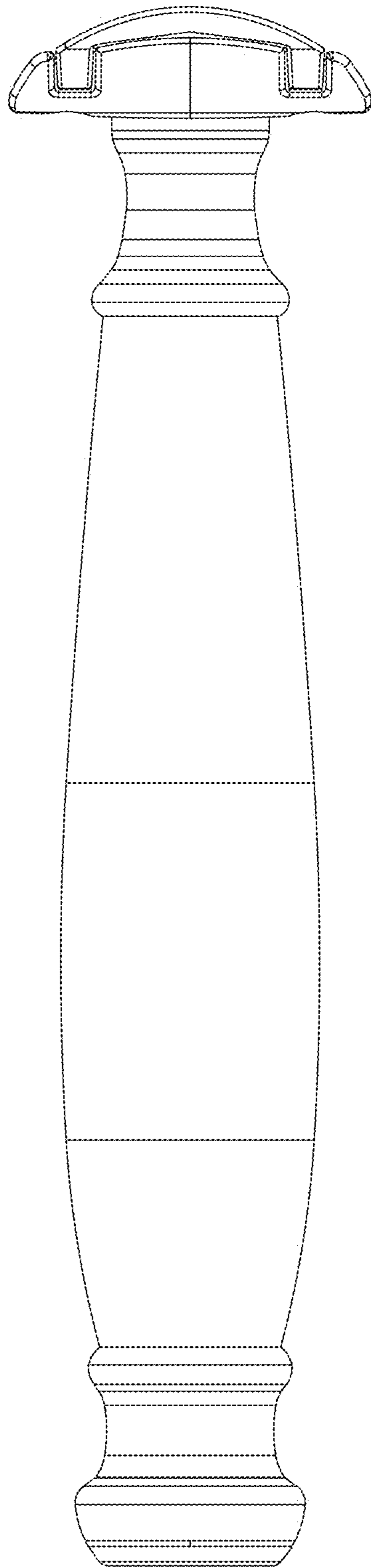


FIG. 7

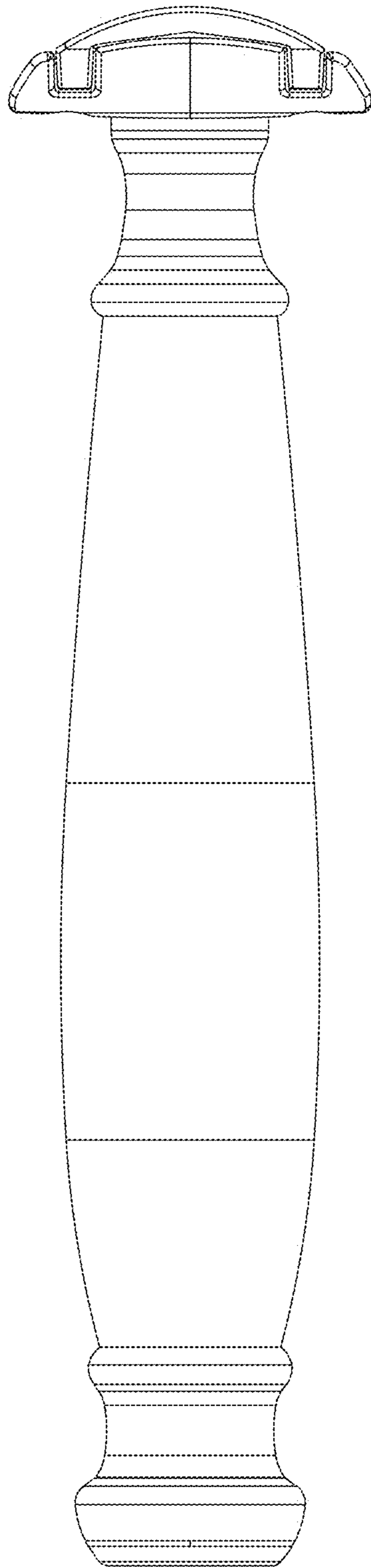


FIG. 8

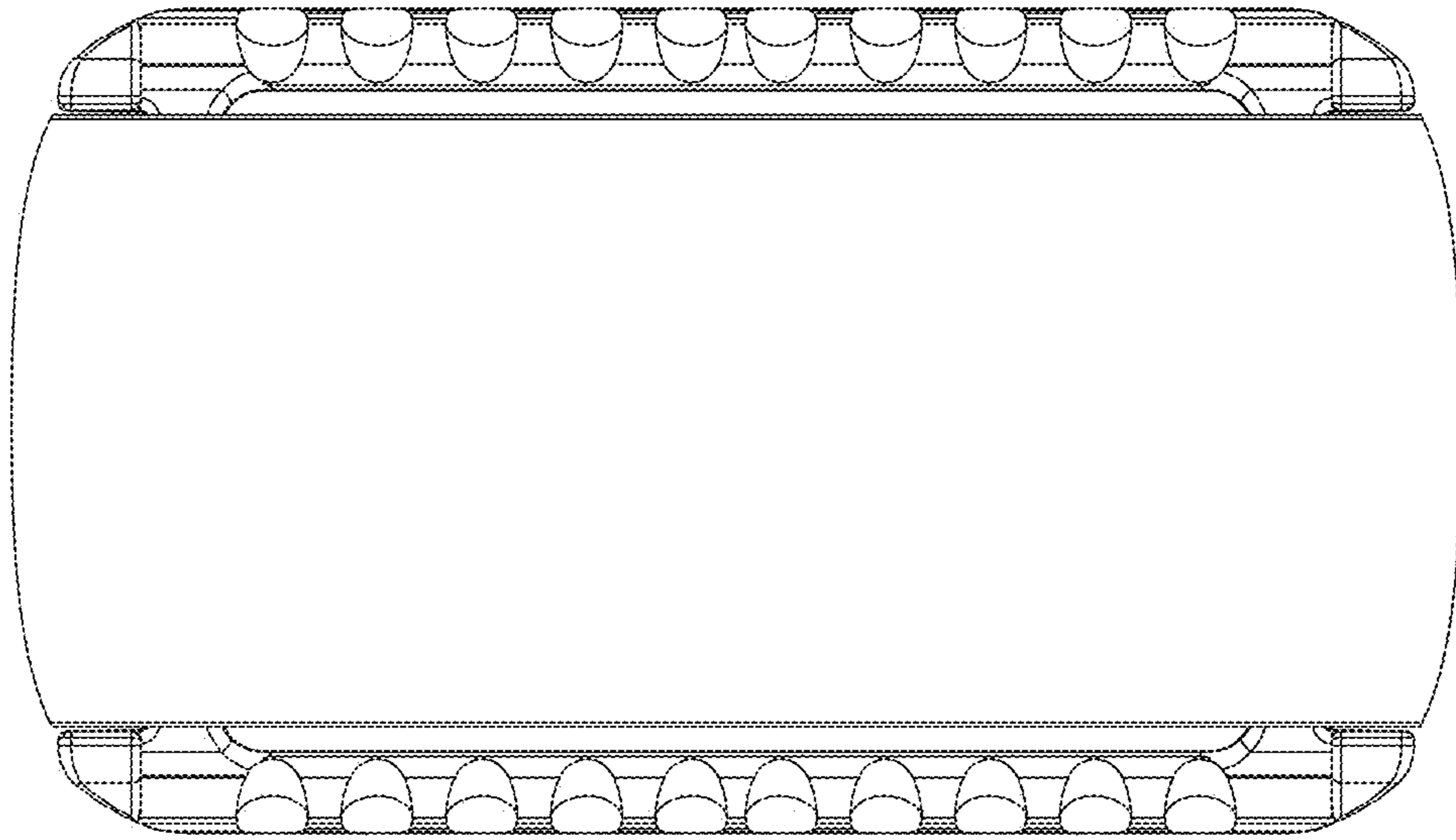


FIG. 9

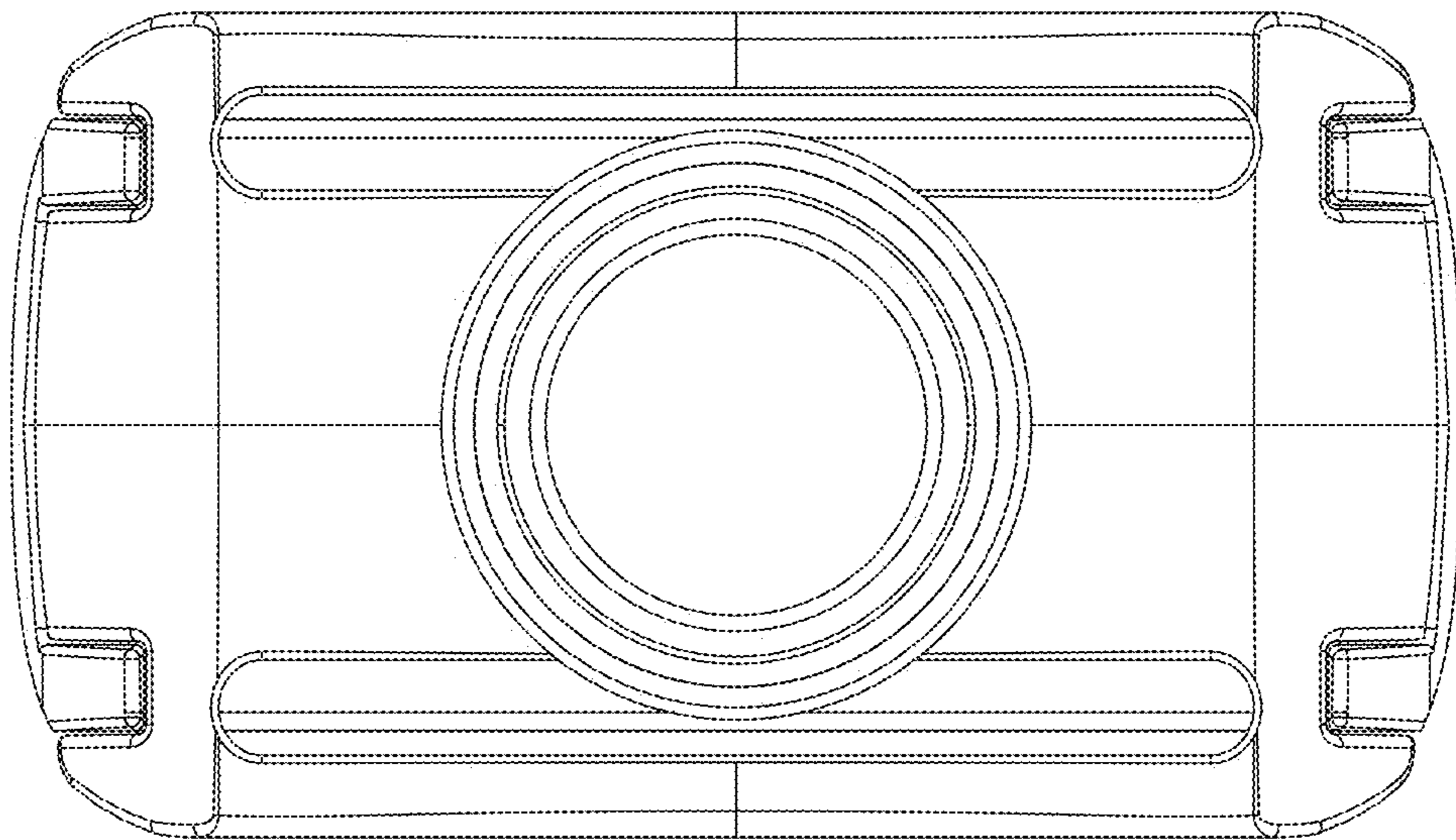


FIG. 10