



US00D948789S

(12) **United States Design Patent**  
**Huang**

(10) **Patent No.:** **US D948,789 S**

(45) **Date of Patent:** **\*\* Apr. 12, 2022**

(54) **EPILATOR**

(71) Applicant: **Shenzhen Meishi Meike Intelligent Electric Appliance Co., Ltd.,**  
Shenzhen (CN)

(72) Inventor: **Guoli Huang,** Fujian (CN)

(\*\*) Term: **15 Years**

(21) Appl. No.: **29/732,034**

(22) Filed: **Apr. 21, 2020**

(51) **LOC (13) Cl.** ..... **28-03**

(52) **U.S. Cl.**  
USPC ..... **D28/44.1; D24/209; D24/214**

(58) **Field of Classification Search**  
USPC ..... D28/9, 44, 44.1, 52-54; D24/133, 209,  
D24/214

CPC ..... B26B 19/00; B26B 19/10; B26B 19/12;  
B26B 19/02; B26B 19/04; B26B 19/38;  
A61B 2018/0047; A45D 26/00; A45D  
26/0004-0009; A45D 26/0057; A45D  
26/0071; A45D 2026/0095  
See application file for complete search history.

(56) **References Cited**

**U.S. PATENT DOCUMENTS**

D479,324 S *	9/2003	Greaney	.....	D24/111
D538,430 S *	3/2007	Ohta	.....	D24/146
D561,343 S *	2/2008	Liang	.....	D24/215
D568,473 S *	5/2008	Ashiwa	.....	D24/133
D609,361 S *	2/2010	McGarry	.....	D24/209
D652,523 S *	1/2012	Bradley	.....	D24/209
D659,843 S *	5/2012	Wang	.....	D24/200

D705,422 S *	5/2014	Burton	.....	D24/112
D708,440 S *	7/2014	Owen	.....	D4/102
D819,221 S *	5/2018	Lei	.....	D24/200
D844,161 S *	3/2019	De Klein	.....	D24/209
D857,911 S *	8/2019	Huang	.....	D24/215
D861,908 S *	10/2019	Gan	.....	D24/214
D888,264 S *	6/2020	Sherrill	.....	D24/215
D892,322 S *	8/2020	Yang	.....	D24/133
D894,411 S *	8/2020	Jin	.....	D24/200
D936,288 S *	11/2021	Zou	.....	D28/50

\* cited by examiner

*Primary Examiner* — Jennifer Rivard

*Assistant Examiner* — Alison M Ofstun

(74) *Attorney, Agent, or Firm* — Prakash Nama; Global IP Services, PLLC

(57) **CLAIM**

The ornamental design for an epilator, as shown and described.

**DESCRIPTION**

FIG. 1 is a front elevational view of an epilator showing my new design;

FIG. 2 is a rear elevational view thereof;

FIG. 3 is a left side view thereof;

FIG. 4 is a right side view thereof;

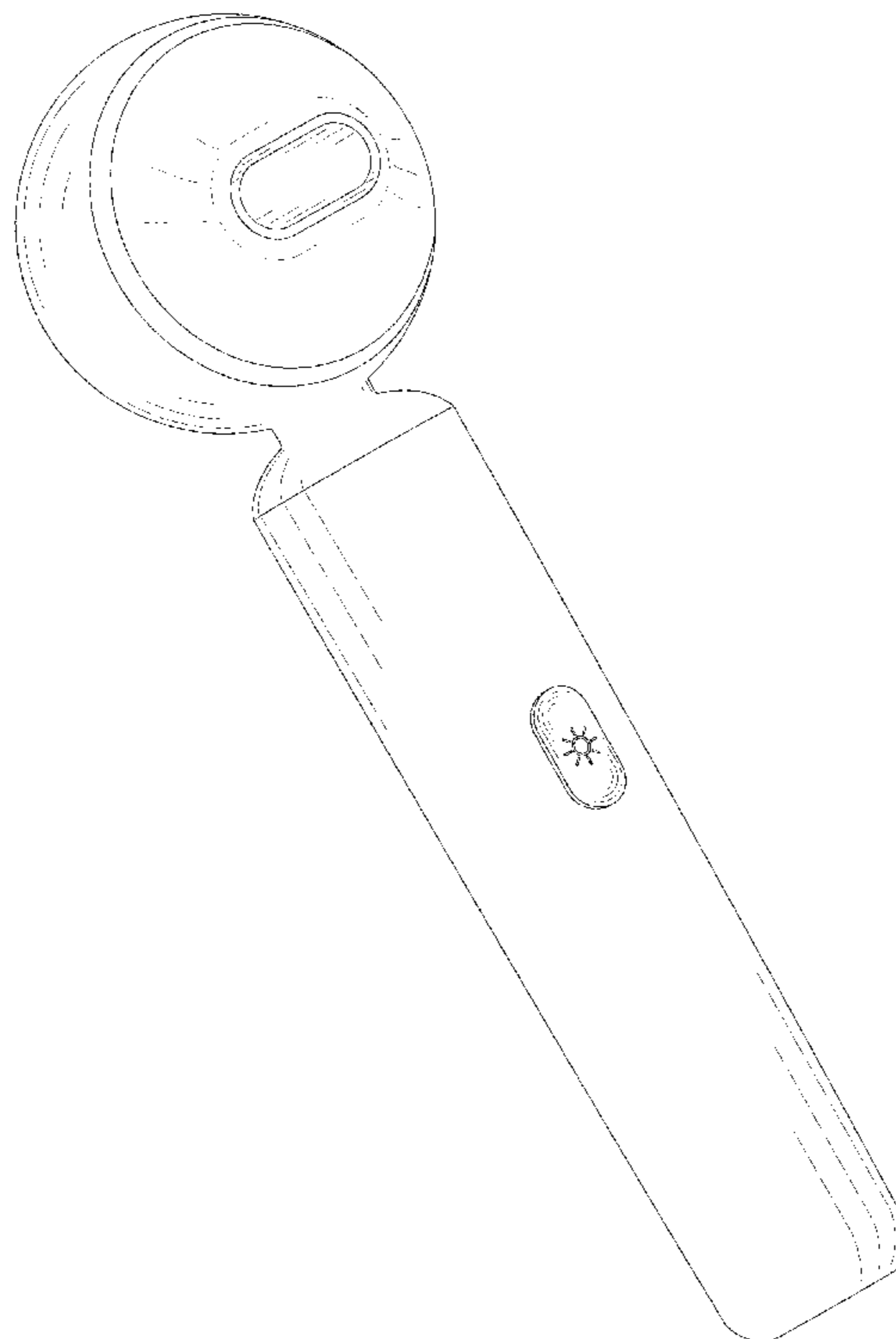
FIG. 5 is a top plan view thereof;

FIG. 6 is a bottom plan view thereof; and,

FIG. 7 is a perspective view thereof.

In the drawings, the broken lines illustrate portions of the epilator that form no part of the claimed design.

**1 Claim, 4 Drawing Sheets**



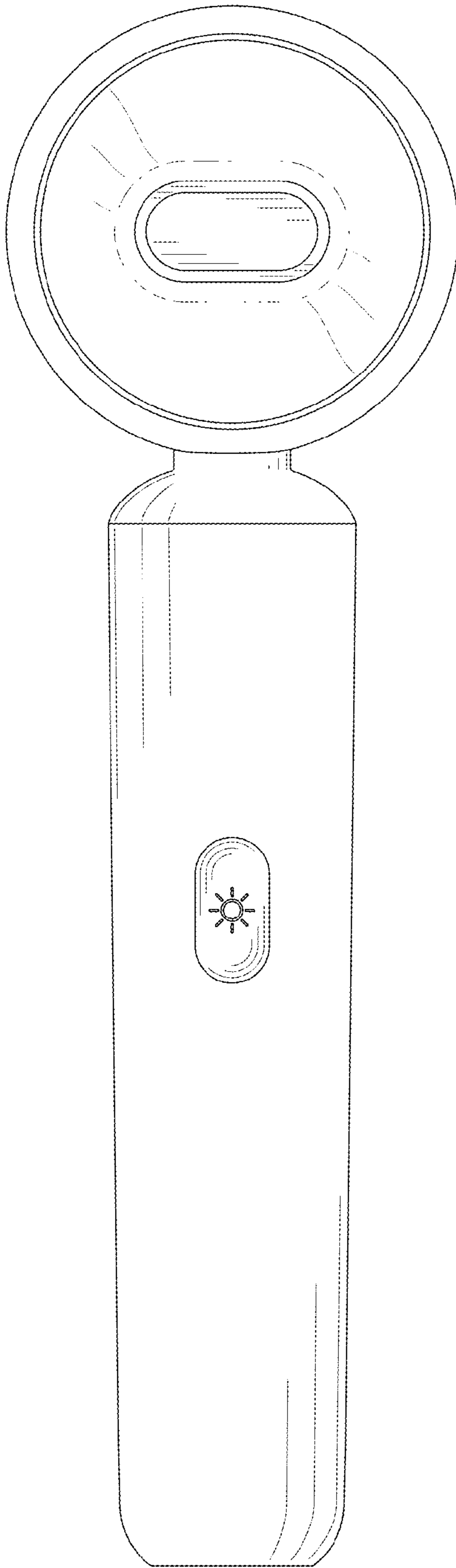


FIG. 1

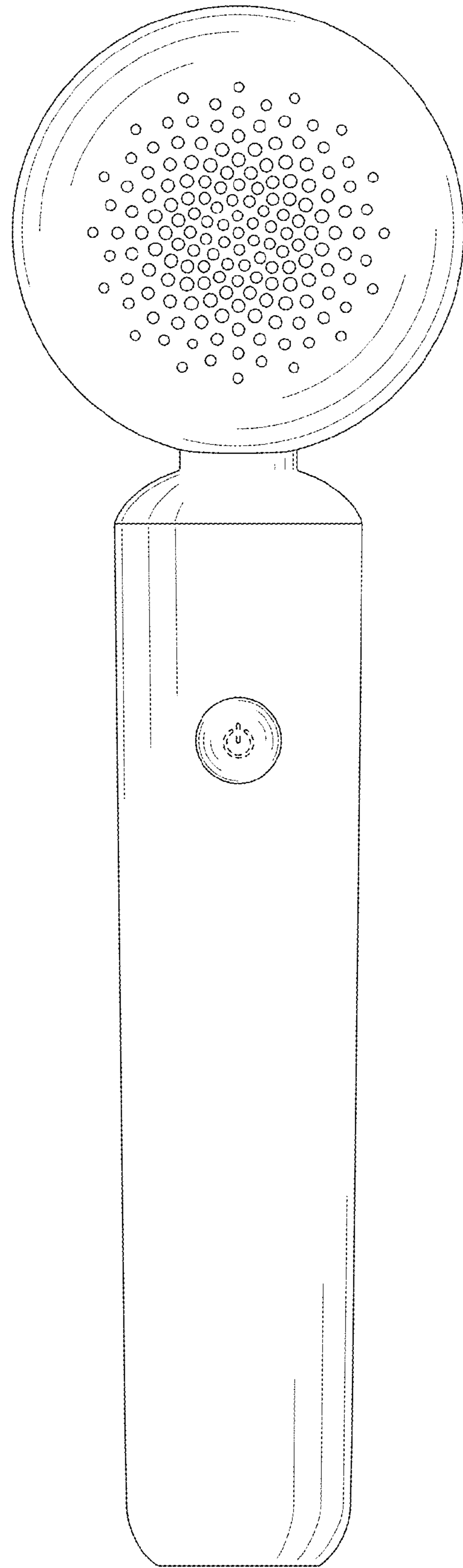


FIG. 2

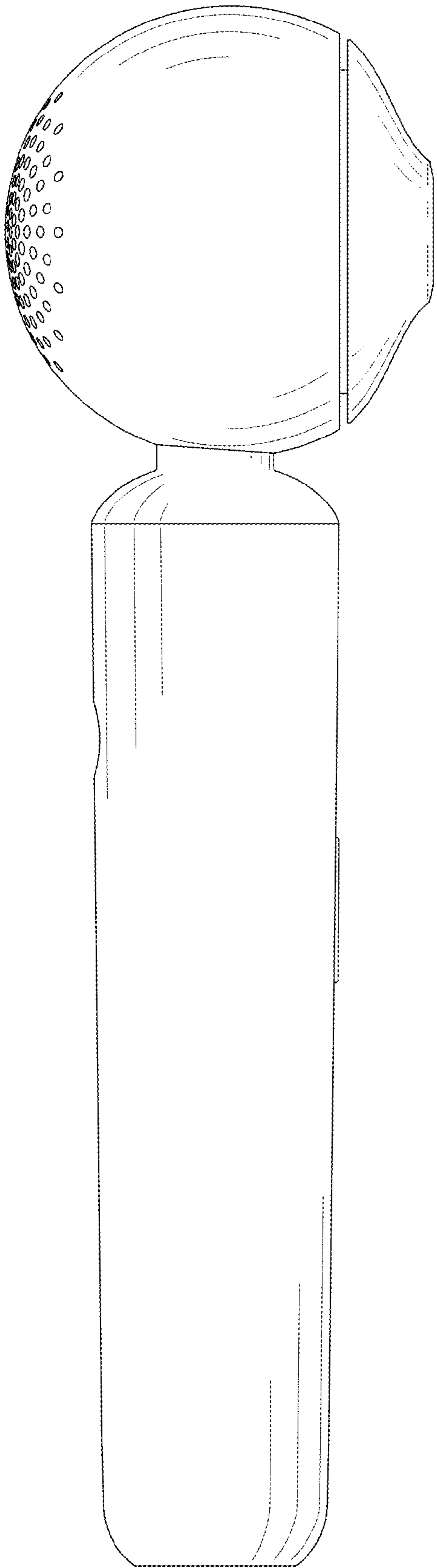


FIG. 3

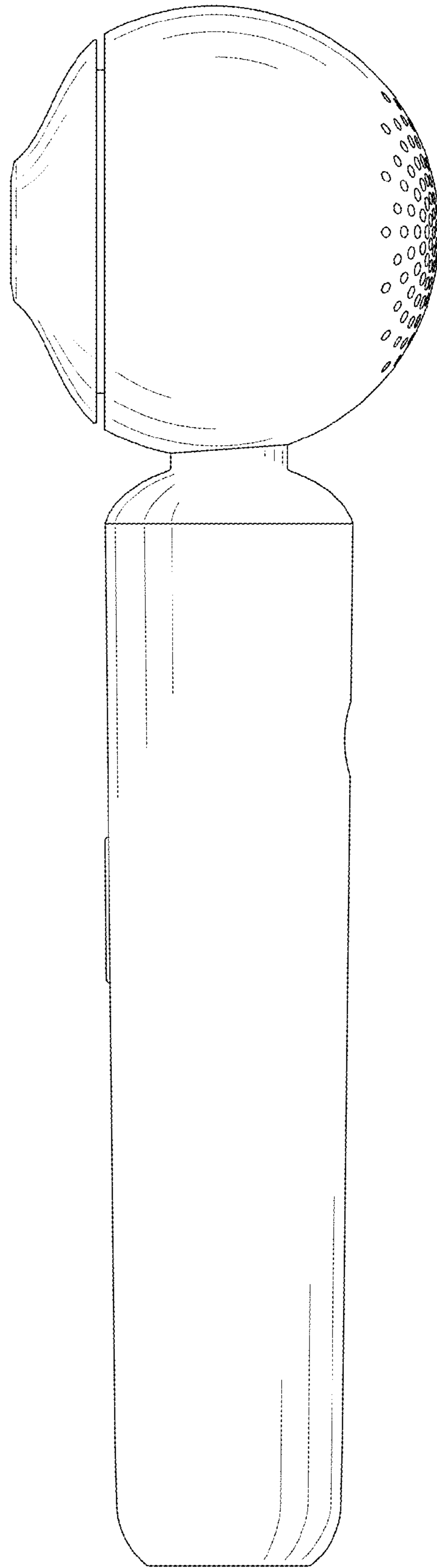


FIG. 4

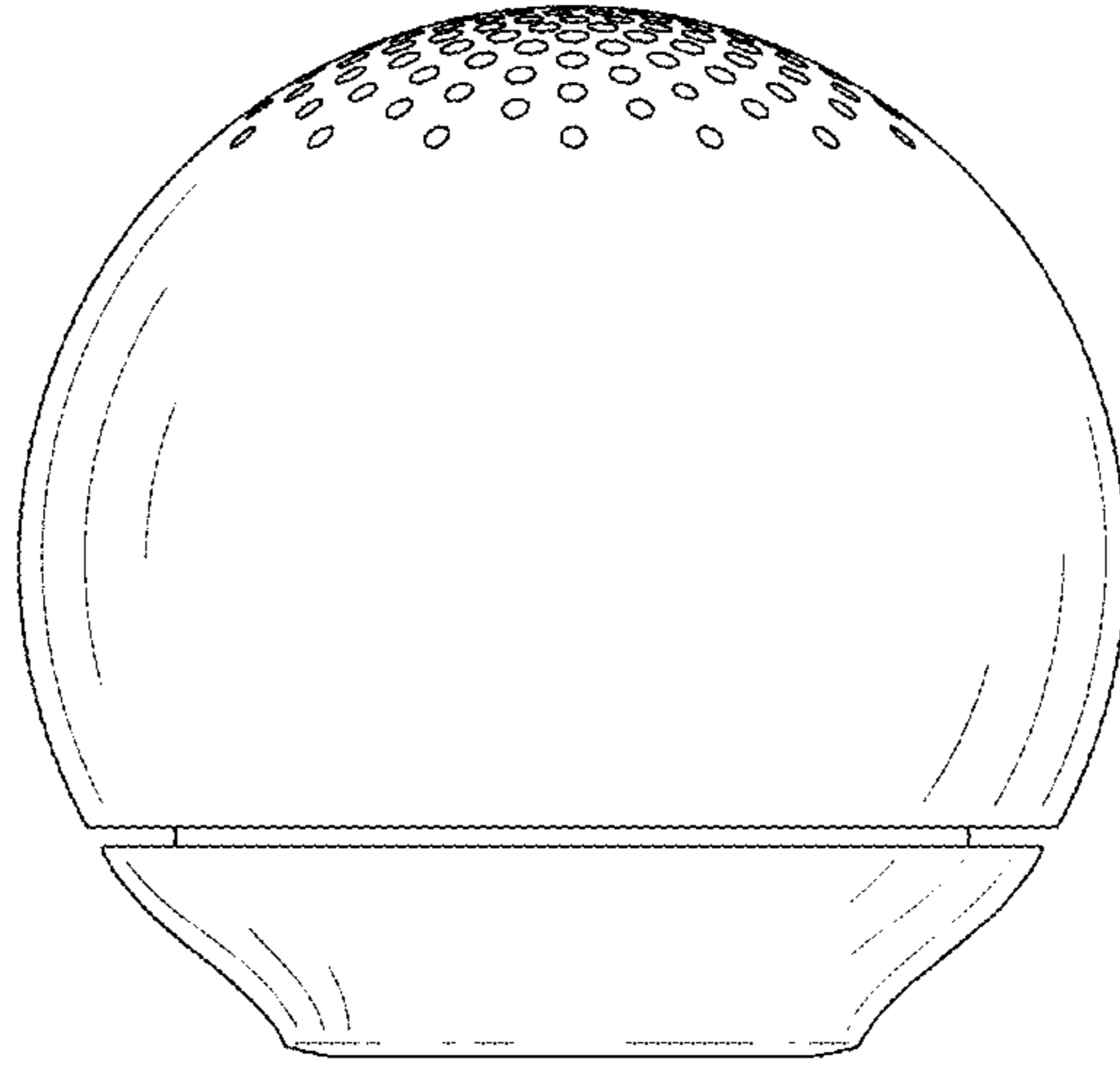


FIG. 5

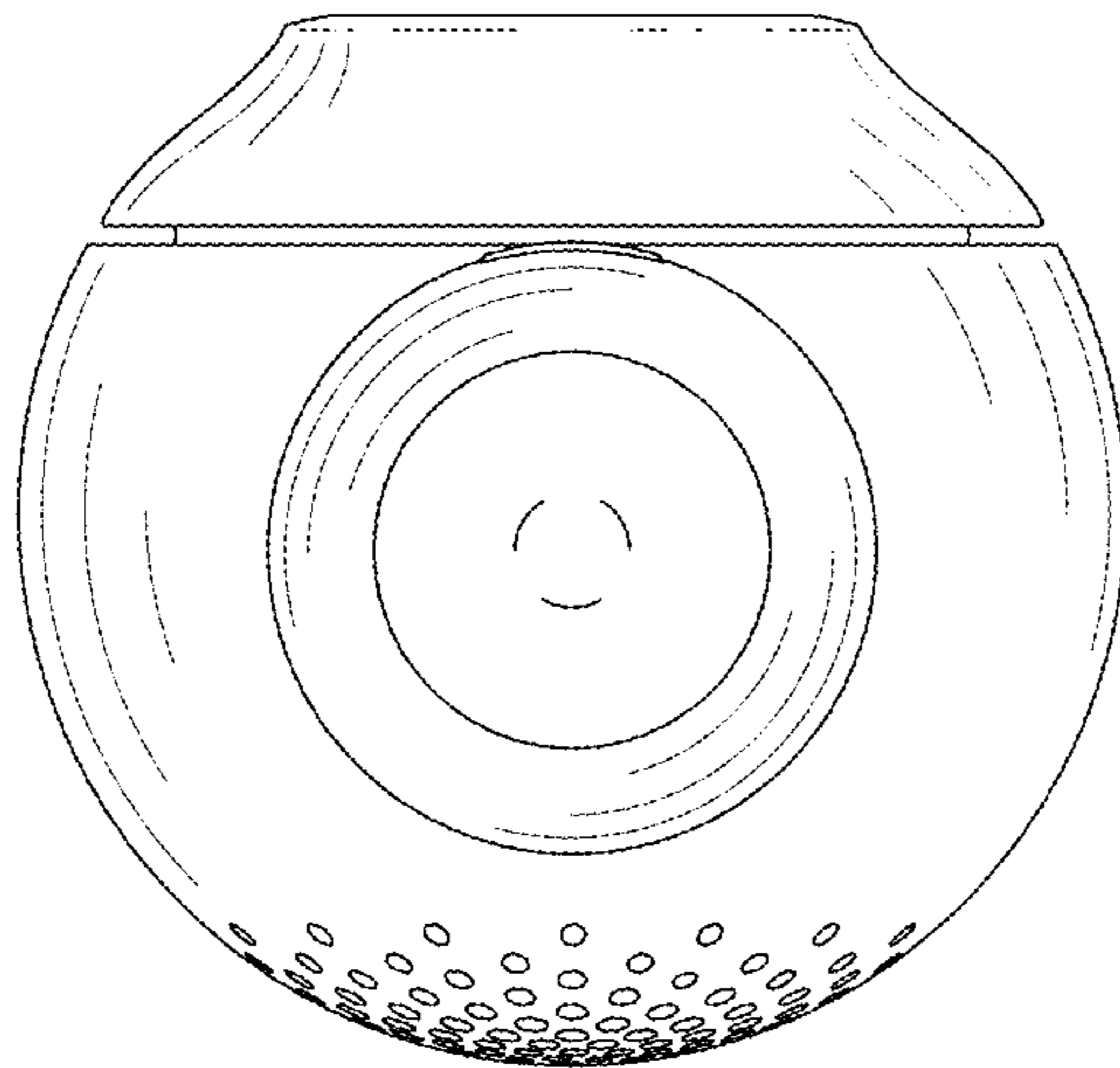


FIG. 6

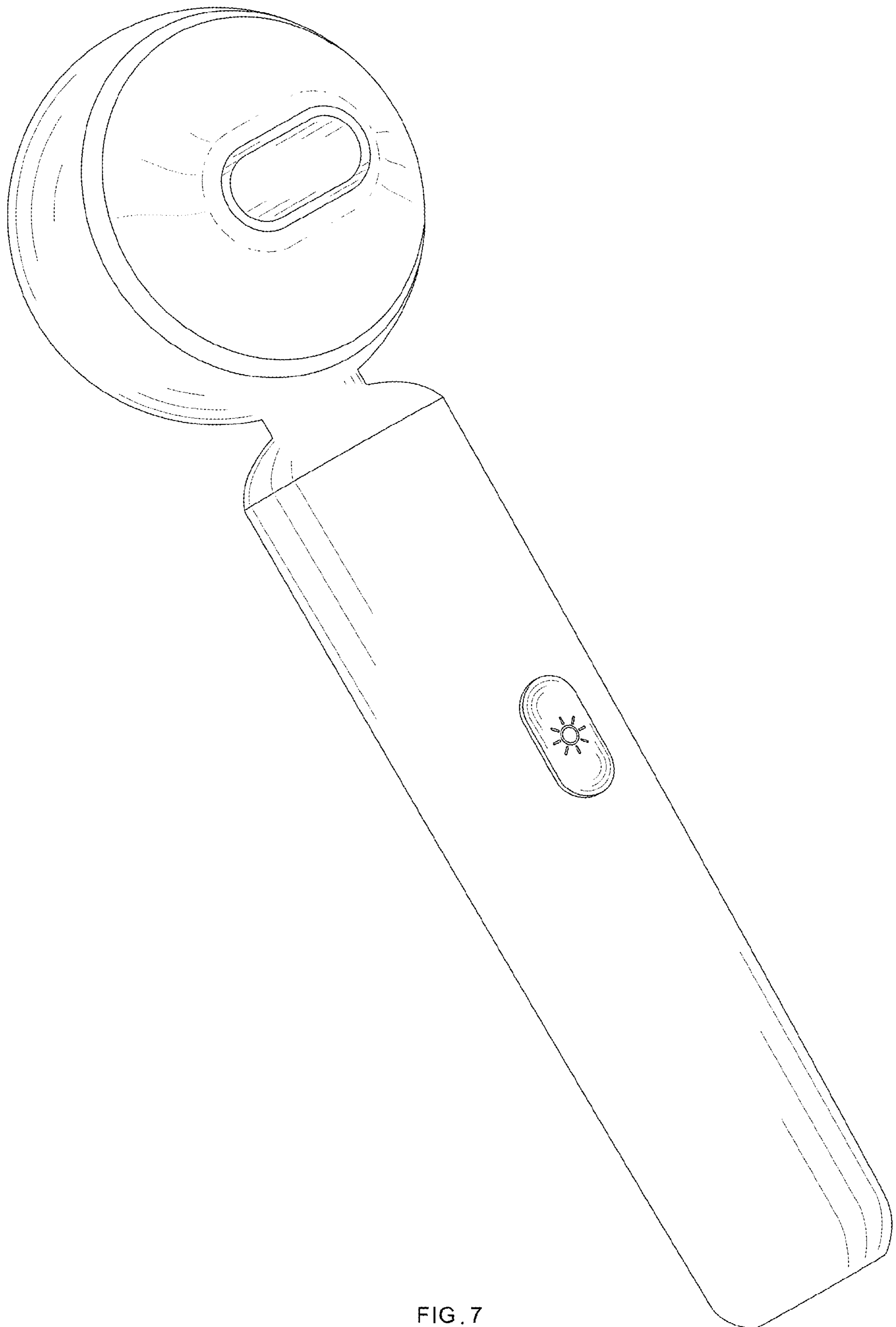


FIG. 7