



US00D948787S

(12) **United States Design Patent**  
**Xia**

(10) **Patent No.:** **US D948,787 S**

(45) **Date of Patent:** **\*\* Apr. 12, 2022**

(54) **HAIR CURLER**

D925,829 S \* 7/2021 Zeng ..... D28/35  
D934,500 S \* 10/2021 Yang ..... D28/35  
D936,286 S \* 11/2021 Zhu ..... D28/35

(71) Applicant: **Chengjiang Xia**, Meishan (CN)

(72) Inventor: **Chengjiang Xia**, Meishan (CN)

(\*\*) Term: **15 Years**

(21) Appl. No.: **29/782,310**

(22) Filed: **May 6, 2021**

(51) **LOC (13) Cl.** ..... **28-03**

(52) **U.S. Cl.**  
USPC ..... **D28/35**

(58) **Field of Classification Search**  
USPC ..... D28/35, 24, 18, 37; D4/100  
CPC .. A45D 24/007; A45D 2/00-002; A45D 1/00;  
A45D 1/04; A45D 1/06-14; A45D  
2/38-40; A45D 2001/004-008  
See application file for complete search history.

(56) **References Cited**

**U.S. PATENT DOCUMENTS**

D892,405 S \* 8/2020 Huang ..... D28/35  
D899,687 S \* 10/2020 Chen ..... D28/35  
D902,483 S \* 11/2020 Fan ..... D28/35  
D916,369 S \* 4/2021 Huang ..... D28/35  
D919,886 S \* 5/2021 Wang ..... D28/35  
D921,983 S \* 6/2021 Huang ..... D28/35

**OTHER PUBLICATIONS**

Automatic Curling Iron Laluztop Store, www.amazon.com, first available Sep. 25, 2021, 1 page (Year: 2021).\*

\* cited by examiner

*Primary Examiner* — Jennifer Rivard

(57) **CLAIM**

The ornamental design for a hair curler, as shown and described.

**DESCRIPTION**

FIG. 1 is a perspective view of a hair curler showing my new design;

FIG. 2 is another perspective view thereof;

FIG. 3 is a front elevational view thereof;

FIG. 4 is a rear elevational view thereof;

FIG. 5 is a left side elevational view thereof;

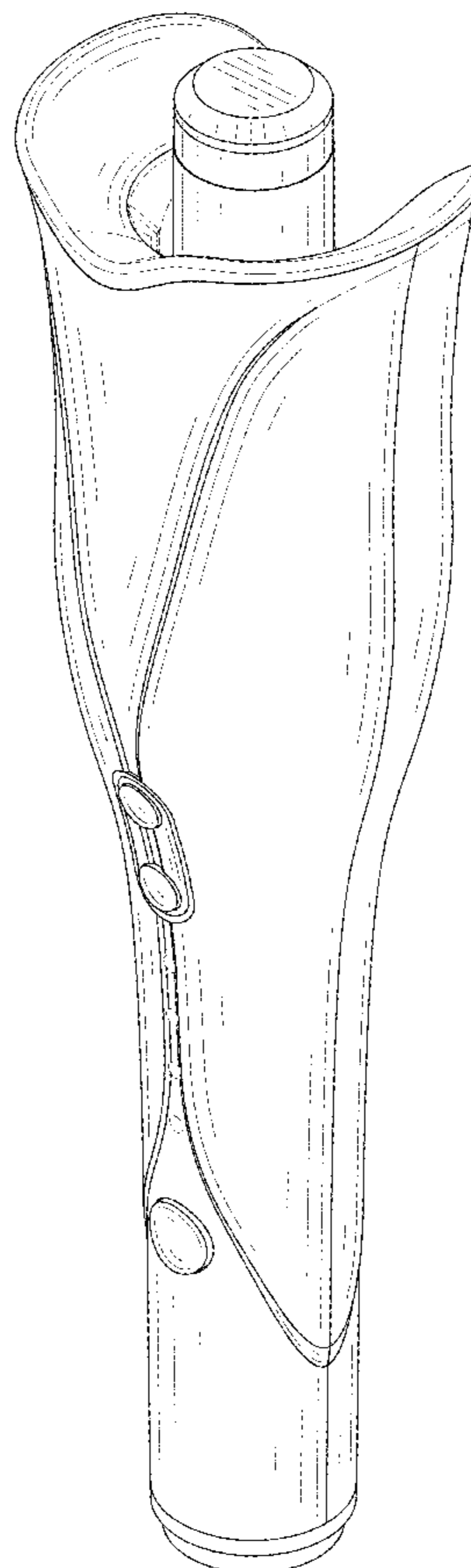
FIG. 6 is a right side elevational view thereof;

FIG. 7 is a top plan view thereof; and,

FIG. 8 is a bottom plan view thereof.

The broken lines in the drawings depict portions of the hair curler that form no part of the claimed design.

**1 Claim, 8 Drawing Sheets**



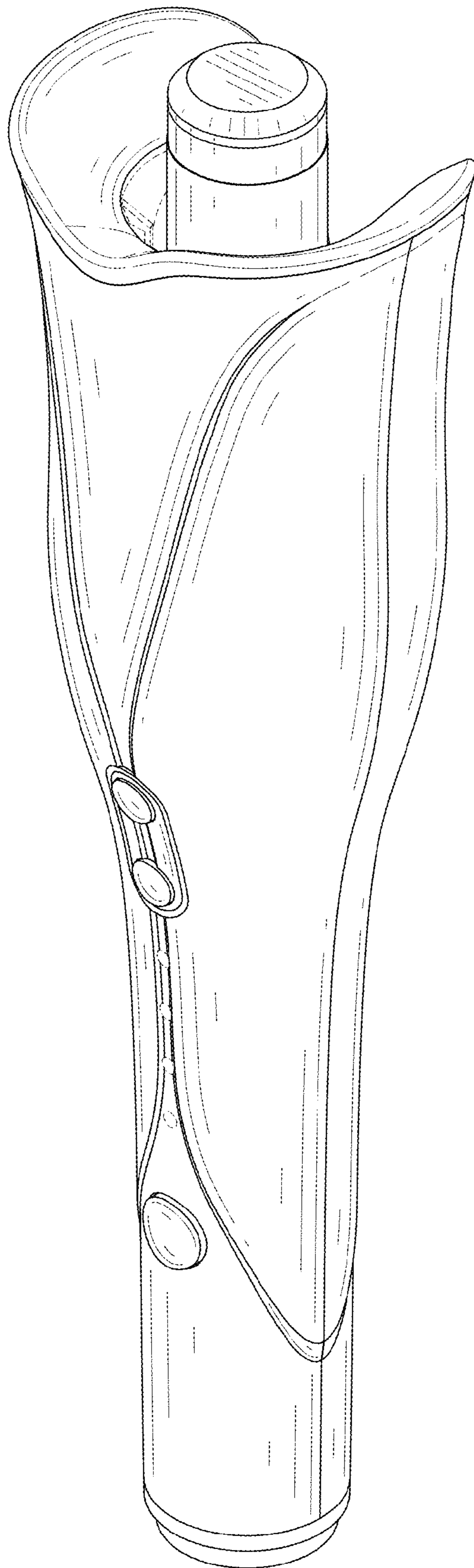


FIG. 1

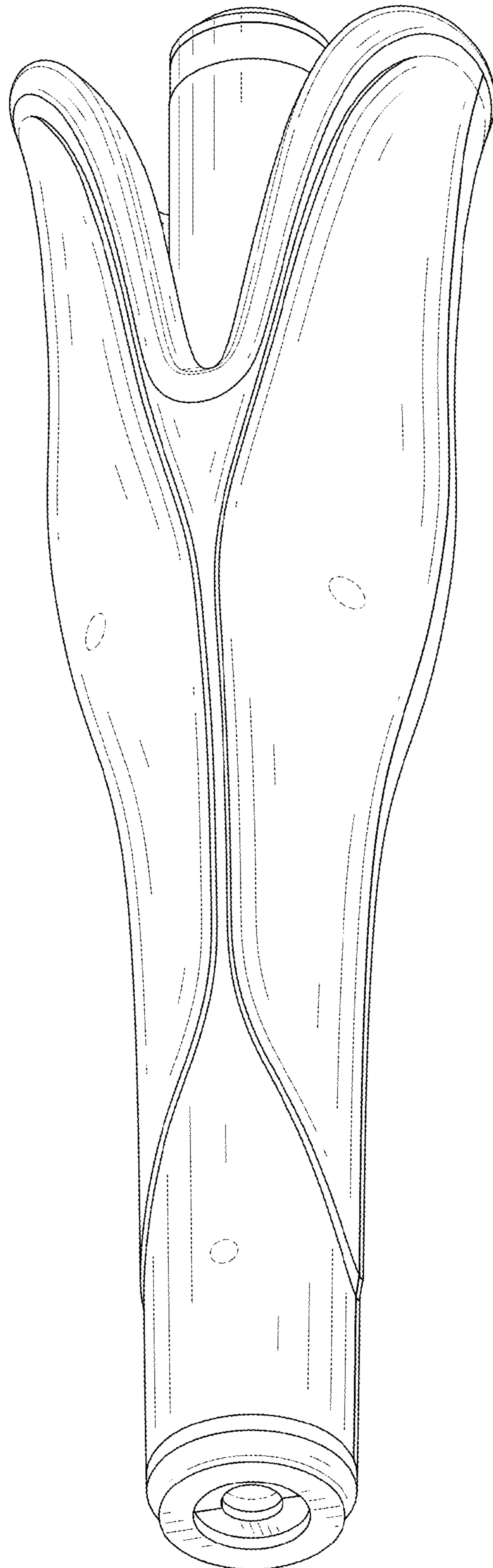


FIG. 2

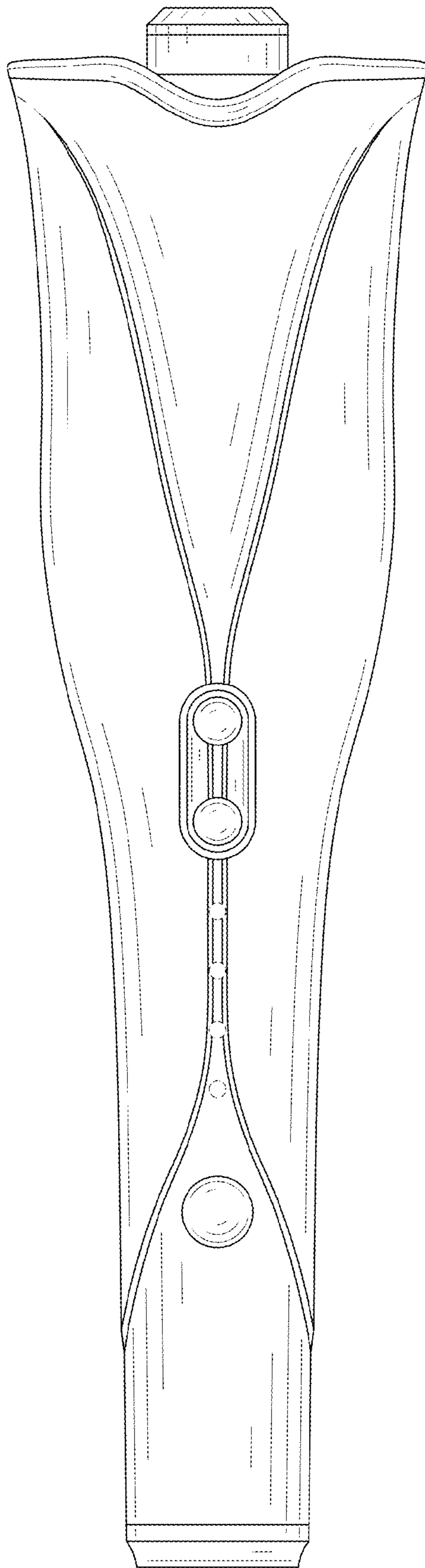


FIG. 3

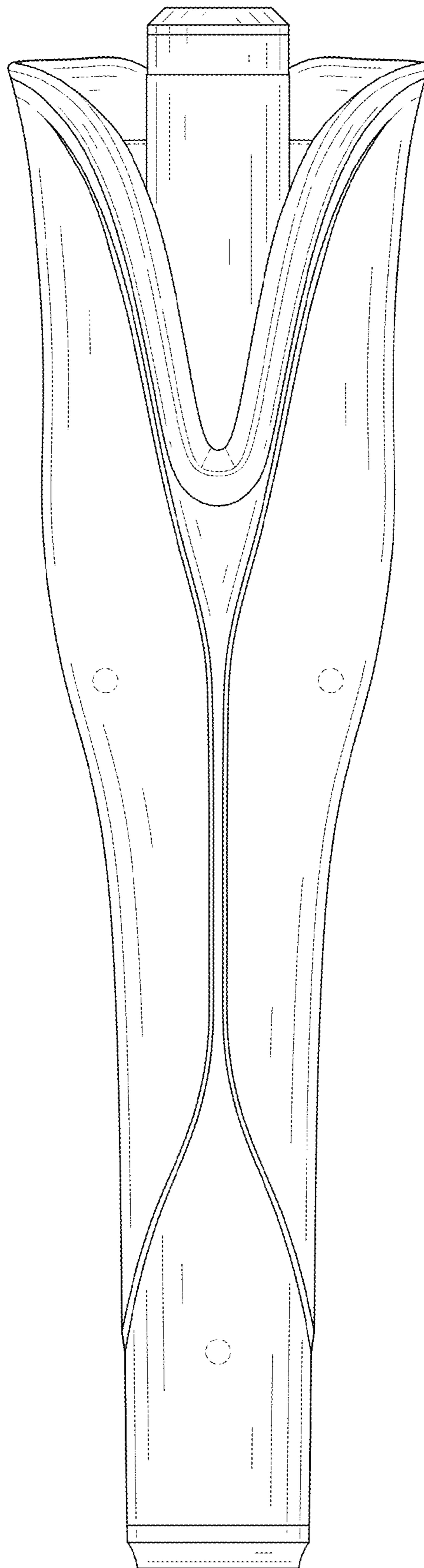


FIG. 4

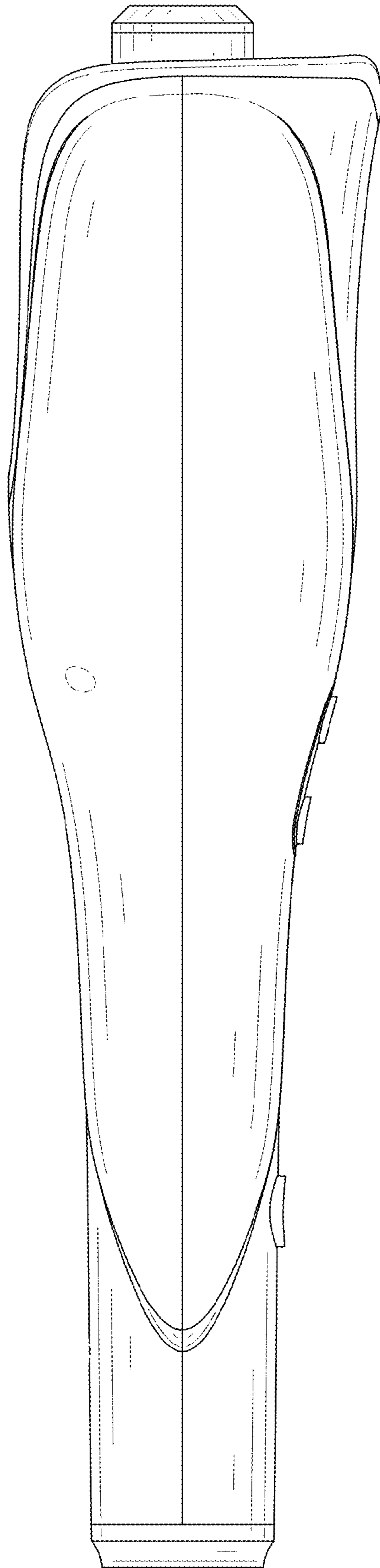


FIG. 5



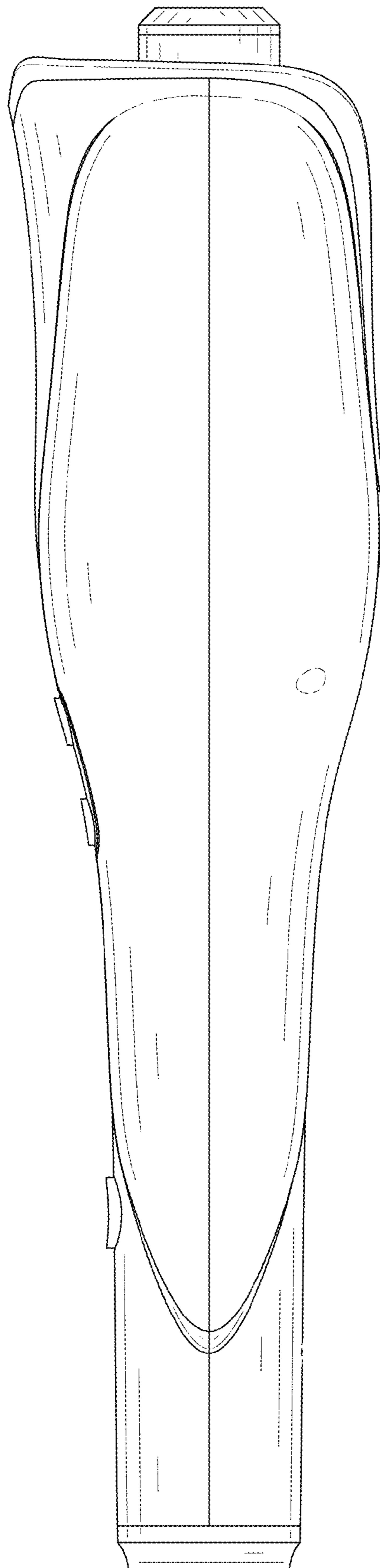


FIG. 6

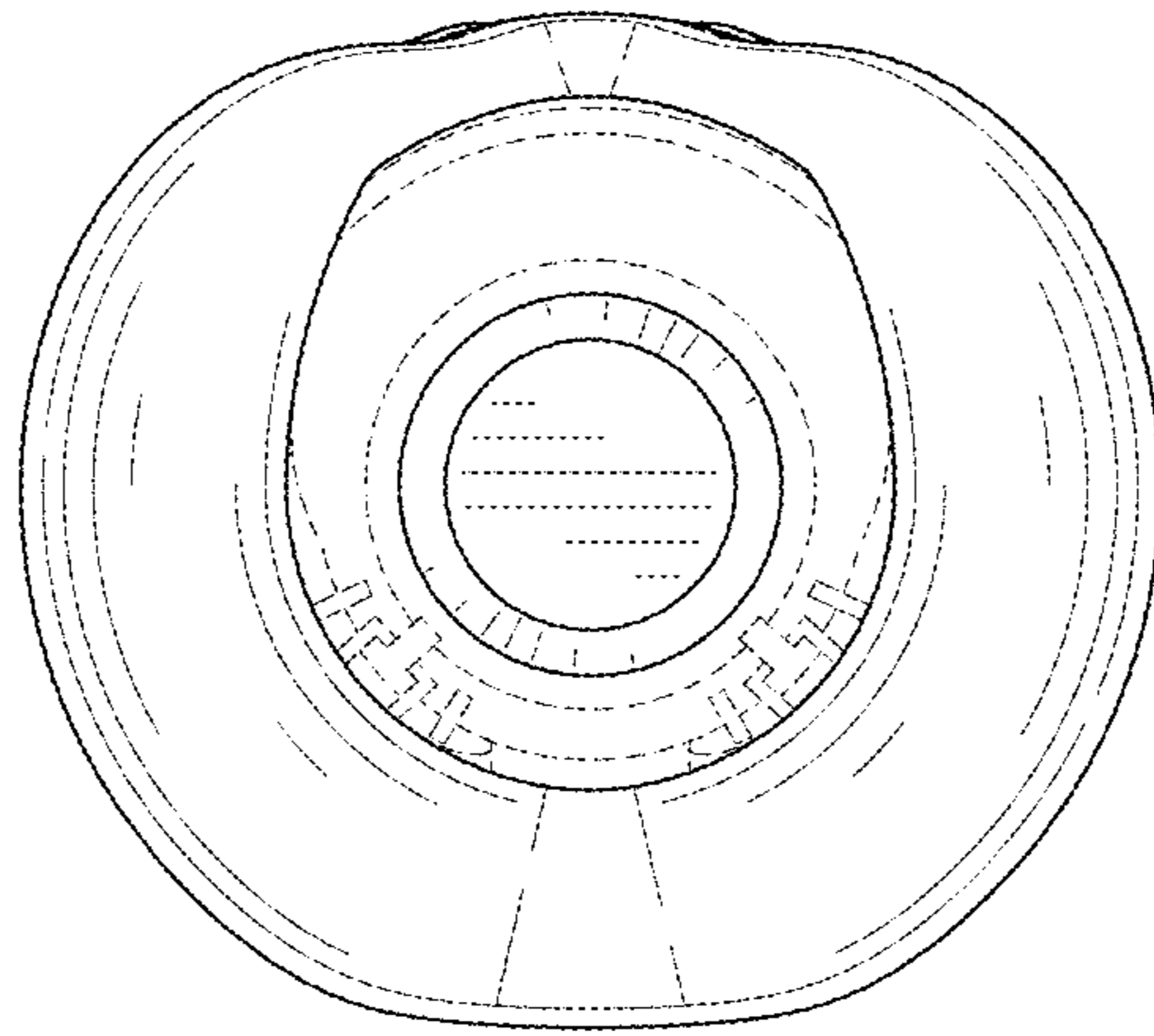


FIG. 7



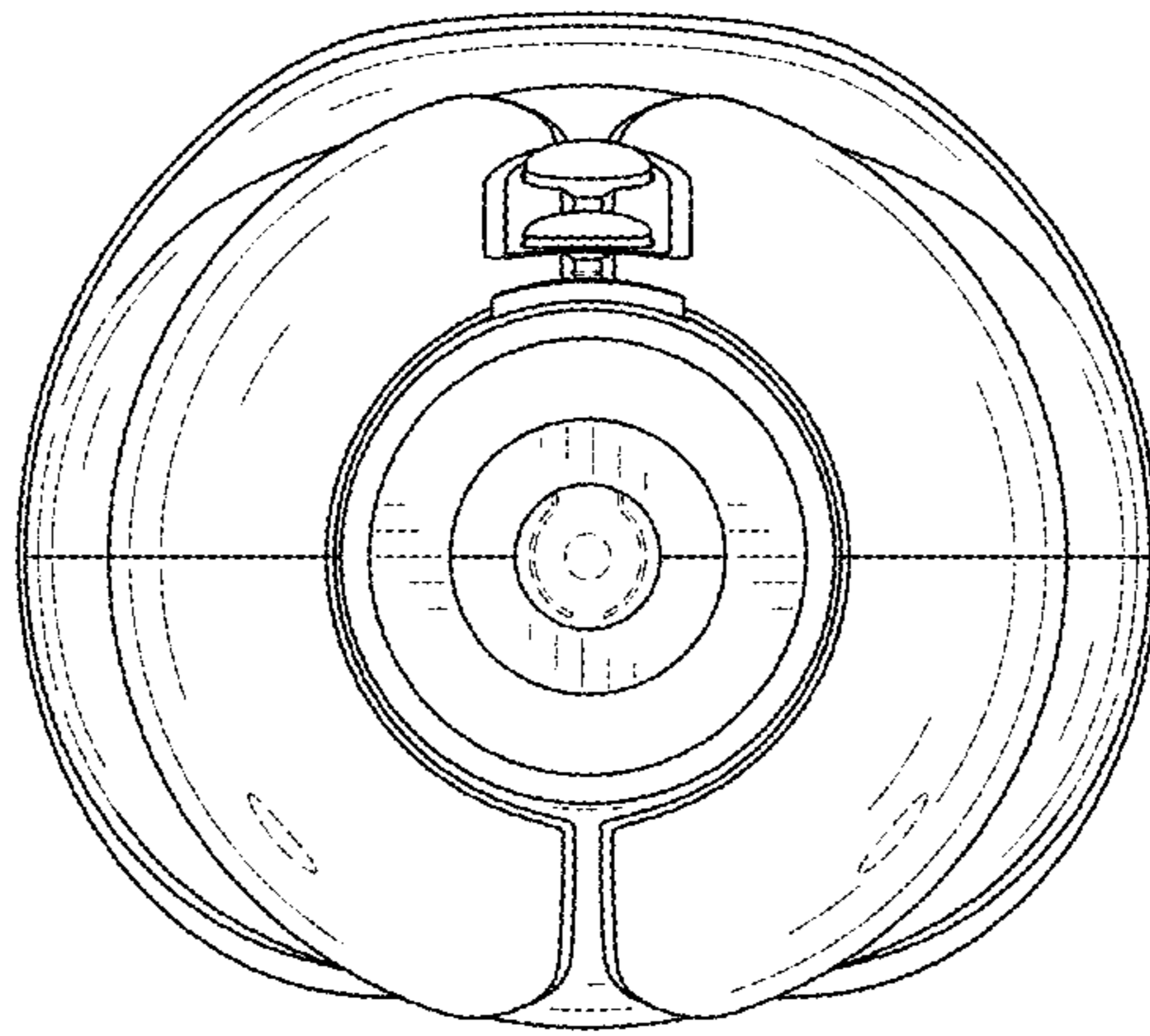


FIG. 8