



US00D948785S

(12) **United States Design Patent** (10) **Patent No.:** **US D948,785 S**
Denome et al. (45) **Date of Patent:** **** Apr. 12, 2022**

(54) **UNIT DOSE DETERGENT**
(71) Applicant: **The Procter & Gamble Company**,
Cincinnati, OH (US)
(72) Inventors: **Frank William Denome**, Cincinnati,
OH (US); **Ian Oliver Malott**, Hyde
Park, OH (US); **Michael Sean Pratt**,
Saint Bernard, OH (US); **Michael**
David Sanders, Cincinnati, OH (US);
Mark Robert Sivik, Mason, OH (US);
Brenda Delmar Torres-Cosme,
Cincinnati, OH (US)

(73) Assignee: **The Procter & Gamble Company**,
Cincinnati, OH (US)

(**) Term: **15 Years**

(21) Appl. No.: **29/734,007**

(22) Filed: **May 8, 2020**

(51) **LOC (13) Cl.** **28-02**

(52) **U.S. Cl.**
USPC **D28/8.1**

(58) **Field of Classification Search**
USPC D28/4, 5, 8.1, 8.2, 9, 73, 76, 99;
D1/100, 106, 120–122, 126–128, 130,
D1/199; D24/101–104; D9/425, 430,
D9/702–714, 732; D25/138, 157, 160,
D25/161; D5/7, 61; D32/29.1
CPC C11D 17/00; C11D 17/04; C11D 17/08;
C11D 17/041–047; C11D 17/0047; C11D
17/0086; C11D 17/0091; C11D 17/0095;
B65D 65/00; B65D 65/46

See application file for complete search history.

(56) **References Cited**

U.S. PATENT DOCUMENTS

D56,106 S * 8/1920 Russell D25/139
D82,657 S * 12/1930 Bolton D25/161
D117,288 S * 10/1939 Parker D25/161

D205,660 S * 9/1966 Goldman D25/160
D210,709 S * 4/1968 Livingston D28/8.1
D414,895 S * 10/1999 Olson D1/100
D419,262 S * 1/2000 Klaers D28/8.1
D426,020 S * 5/2000 Binstock D28/8.1
D607,163 S * 12/2009 Swiderski D32/29.1
2010/0167971 A1 * 7/2010 Glenn, Jr. A61K 8/25
510/101
2018/0223230 A1 * 8/2018 Tan C11D 3/3707
(Continued)

FOREIGN PATENT DOCUMENTS

WO WO-2017083988 A1 * 5/2017 C11D 1/825

OTHER PUBLICATIONS

Tile shapes and styles. Stone & Tile Shoppe, Inc, published Nov. 10,
2019, retrieved on May 4, 2021, retrieved from the Internet URL:
<https://stoneandtileshoppe.com/blogs/construction-renovation/tile-shapes>.*

Primary Examiner — Jennifer Rivard

Assistant Examiner — Alison M Ofstun

(74) *Attorney, Agent, or Firm* — Carrie Schwartz

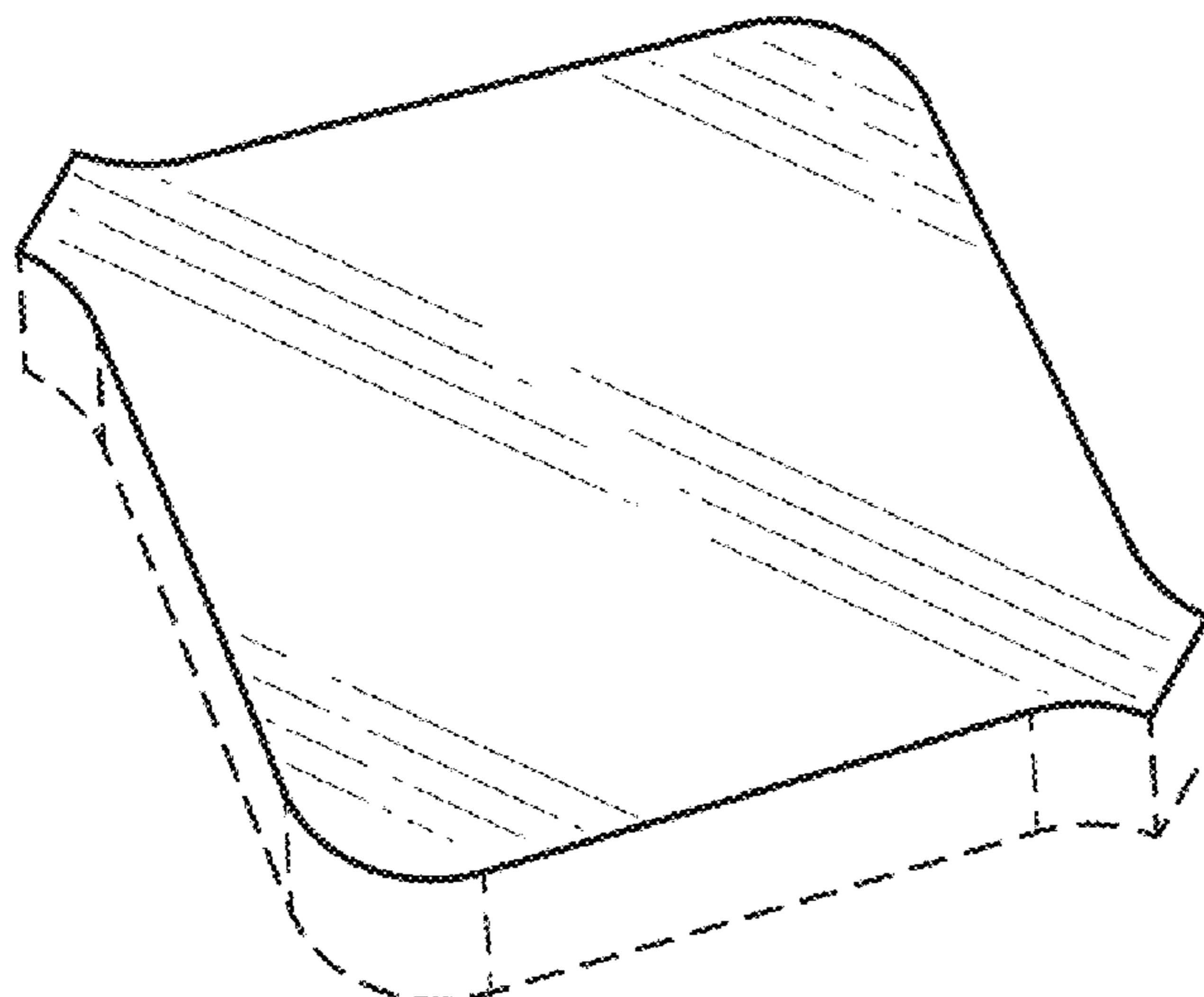
(57) **CLAIM**

The ornamental design for a unit dose detergent, as shown
and described.

DESCRIPTION

FIG. 1 is a perspective view of a unit dose detergent,
showing our new design;
FIG. 2 is a front view of the unit dose detergent;
FIG. 3 is a left view of the unit dose detergent;
FIG. 4 is a back view of the unit dose detergent;
FIG. 5 is a right view of the unit dose detergent;
FIG. 6 is a top view of the unit dose detergent; and,
FIG. 7 is a bottom view of the unit dose detergent.
The broken lines in the figures illustrate portions of the
article which form no part of the claimed design.

1 Claim, 1 Drawing Sheet



(56)

References Cited

U.S. PATENT DOCUMENTS

2019/0233780 A1* 8/2019 Huang C11D 17/06
2019/0233781 A1* 8/2019 Huang D06M 16/003

* cited by examiner

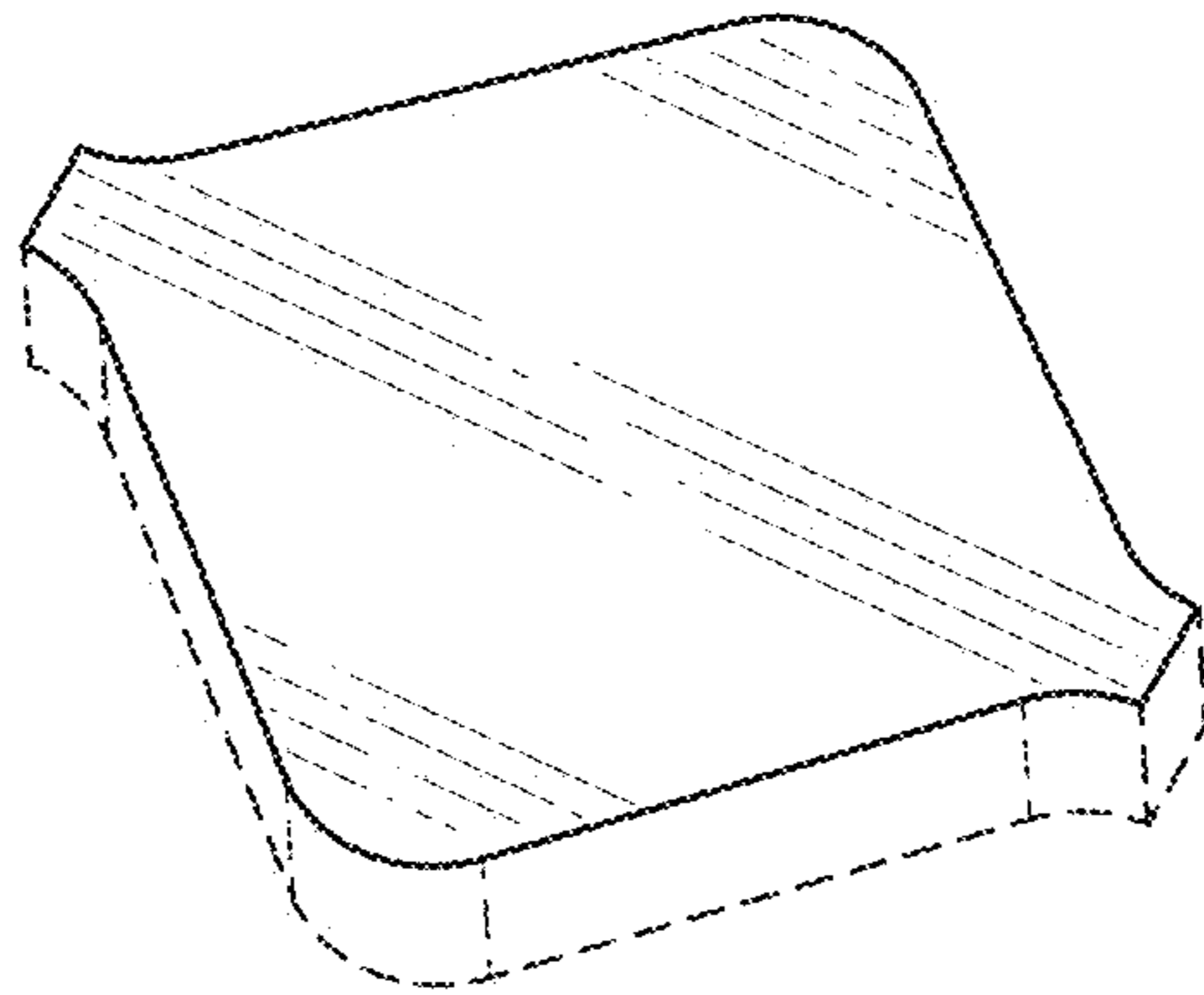


FIG. 1

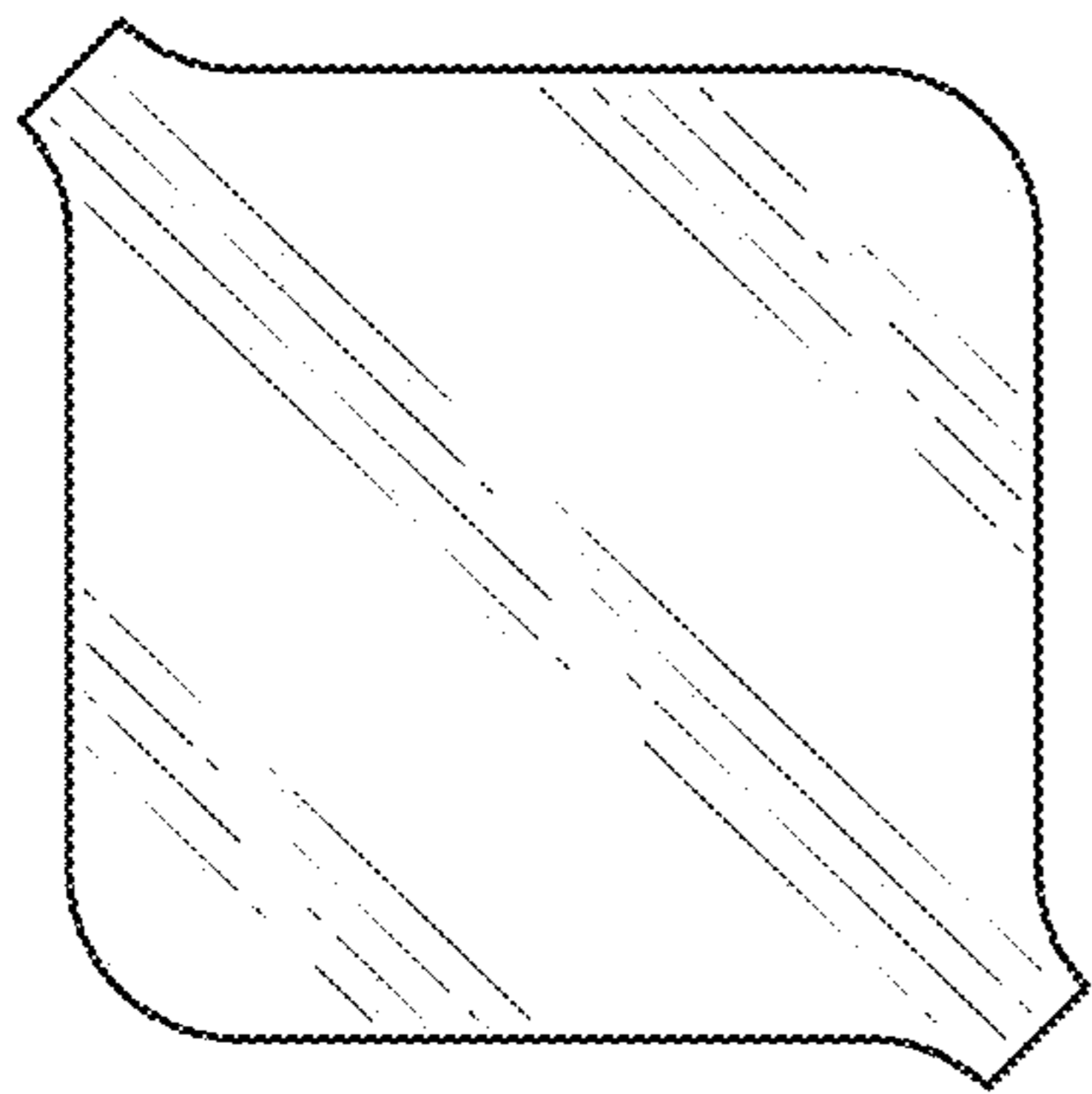


FIG. 2

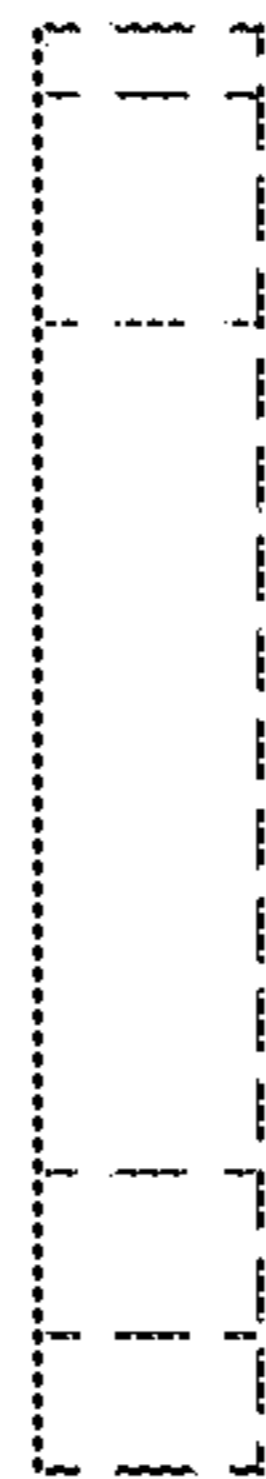


FIG. 3

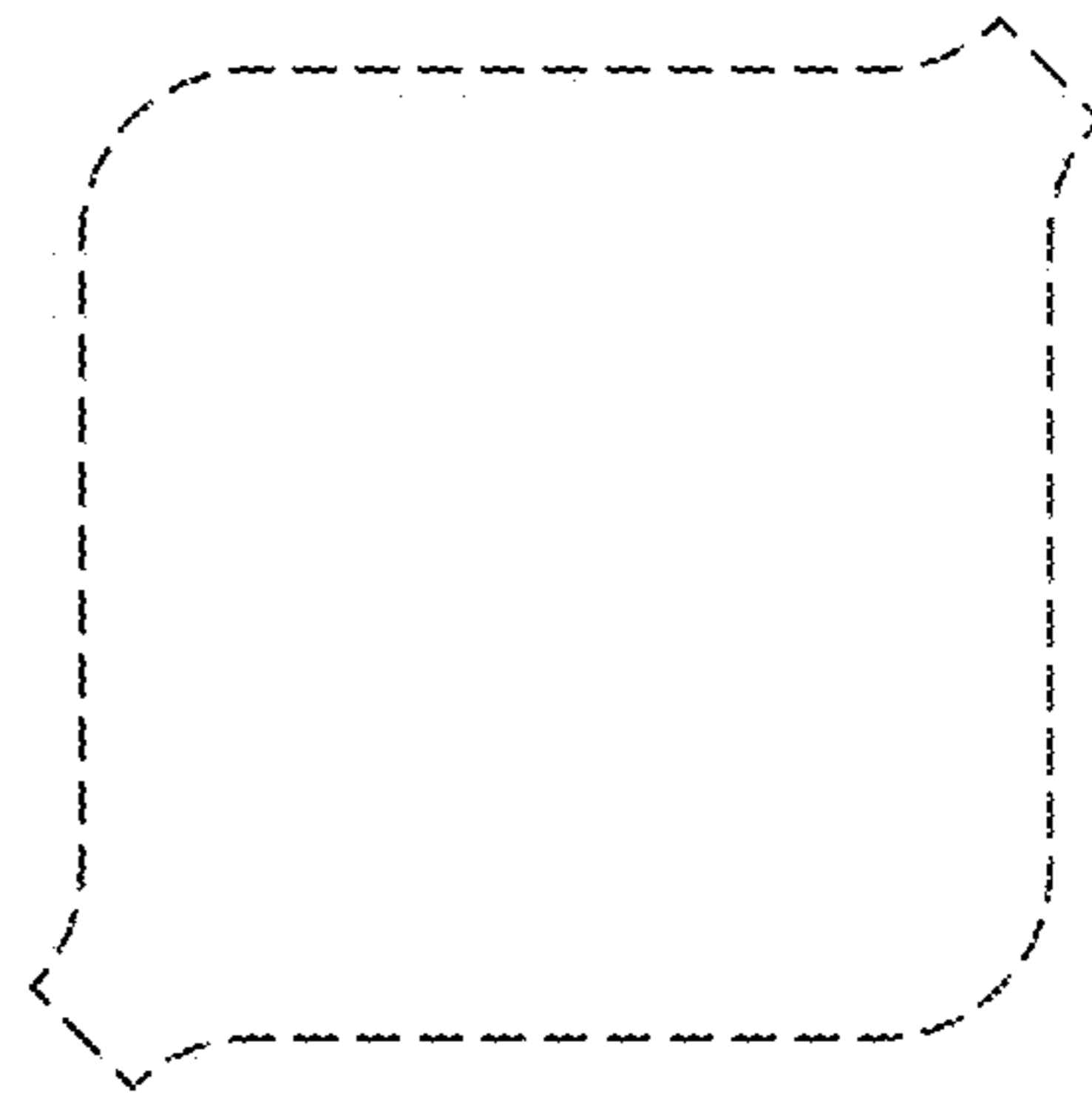


FIG. 4

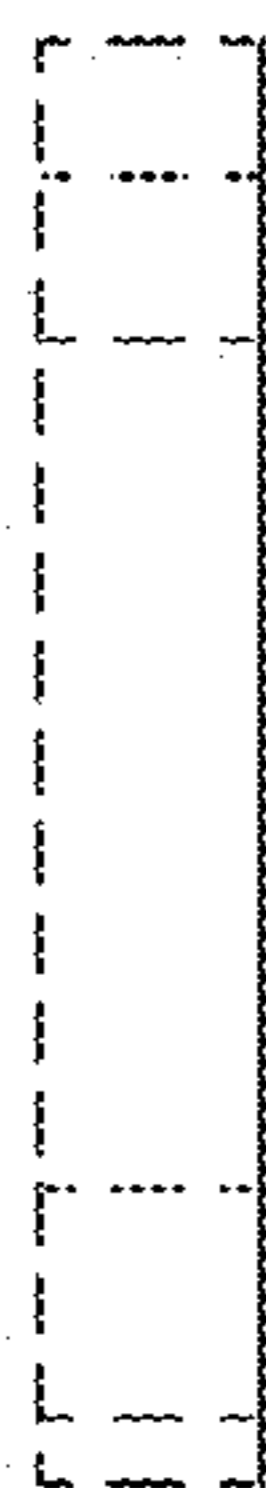


FIG. 5

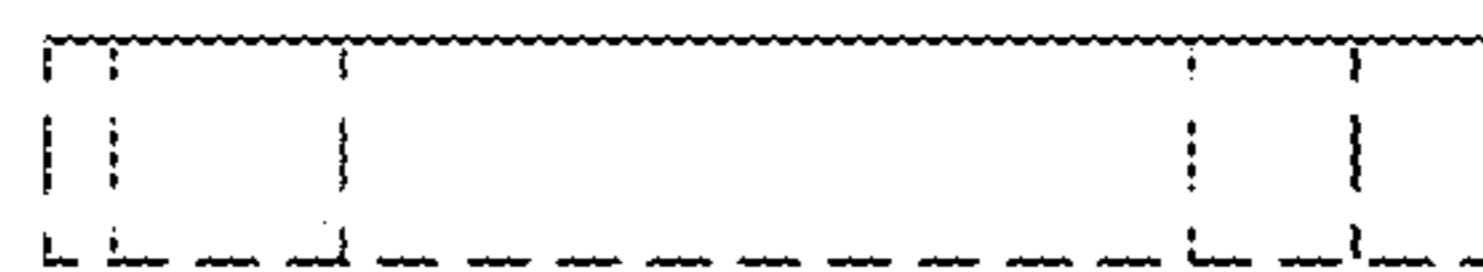


FIG. 6



FIG. 7