



US00D948784S

(12) **United States Design Patent**
Liu

(10) **Patent No.:** **US D948,784 S**
(45) **Date of Patent:** **** Apr. 12, 2022**

(54) **HEATING BOWL FOR ELECTRONIC HOOKAH**

(71) Applicant: **Shenzhen Eigate Technology Co., Ltd.**, Shenzhen (CN)

(72) Inventor: **Tuanfang Liu**, Shenzhen (CN)

(73) Assignee: **SHENZHEN EIGATE TECHNOLOGY CO., LTD.**, Shenzhen (CN)

(**) Term: **15 Years**

(21) Appl. No.: **29/751,029**

(22) Filed: **Sep. 17, 2020**

(30) **Foreign Application Priority Data**

May 9, 2020 (CN) 202030208007.9

(51) **LOC (13) Cl.** **27-02**

(52) **U.S. Cl.**
USPC **D27/169**

(58) **Field of Classification Search**
USPC D27/169, 100, 103, 162–165, 167, 168, D27/180, 183, 194; D23/360
CPC A24F 1/30; A24F 1/02; A24F 1/00; A24F 47/008; A24F 47/002; A61M 15/00
See application file for complete search history.

(56) **References Cited**

U.S. PATENT DOCUMENTS

D243,258 S *	2/1977	Segal	D27/163
D243,347 S *	2/1977	Segal	D27/163
D658,807 S *	5/2012	Aboushi	D27/169
D735,934 S *	8/2015	Saikaly	D27/169
D814,694 S *	4/2018	Watson	D27/194

D815,349 S *	4/2018	Watson	D27/194
D821,641 S *	6/2018	Watson	D27/194
10,010,914 B1 *	7/2018	Gilmore	A24F 3/00
D831,272 S *	10/2018	Qiu	D27/162
D844,227 S *	3/2019	Hoch	D27/162
D844,236 S *	3/2019	Tidnam	D27/169
D846,187 S *	4/2019	Hoch	D27/162
D874,717 S *	2/2020	Nhep	D27/162
D880,058 S *	3/2020	Young	D27/165
D907,845 S *	1/2021	Collins	D27/162
D914,961 S *	3/2021	Li	D27/162
D930,785 S *	9/2021	Hillyard	D23/207
2017/0055579 A1 *	3/2017	Kuna	A24F 40/42
2017/0361040 A1 *	12/2017	Trzeciecki	A61M 11/042

* cited by examiner

Primary Examiner — Marissa J Cash
Assistant Examiner — Rebecca Tsehaye
(74) *Attorney, Agent, or Firm* — Matthias Scholl P.C.;
Matthias Scholl

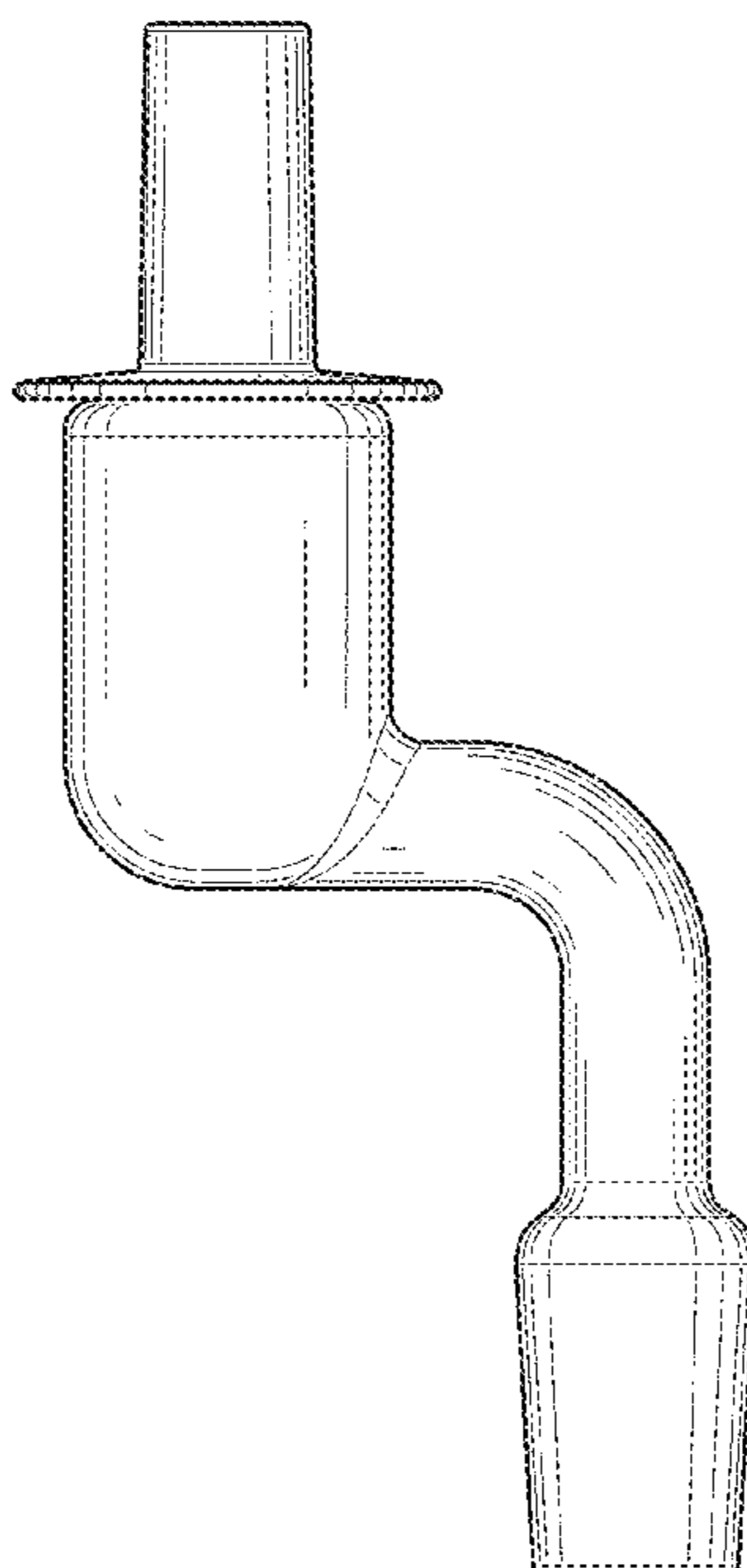
(57) **CLAIM**

The ornamental design for a heating bowl for electronic hookah, as shown and described.

DESCRIPTION

FIG. 1 is a front elevation view of a heating bowl for electronic hookah;
FIG. 2 is a rear elevation view thereof;
FIG. 3 is a left-side elevation view thereof;
FIG. 4 is a right-side elevation view thereof;
FIG. 5 is a top plan view thereof;
FIG. 6 is a bottom plan view thereof;
FIG. 7 is a perspective view thereof; and,
FIG. 8 is another perspective view thereof.
The broken lines depict portions of the heating bowl for electronic hookah that form no part of the claimed design.

1 Claim, 8 Drawing Sheets



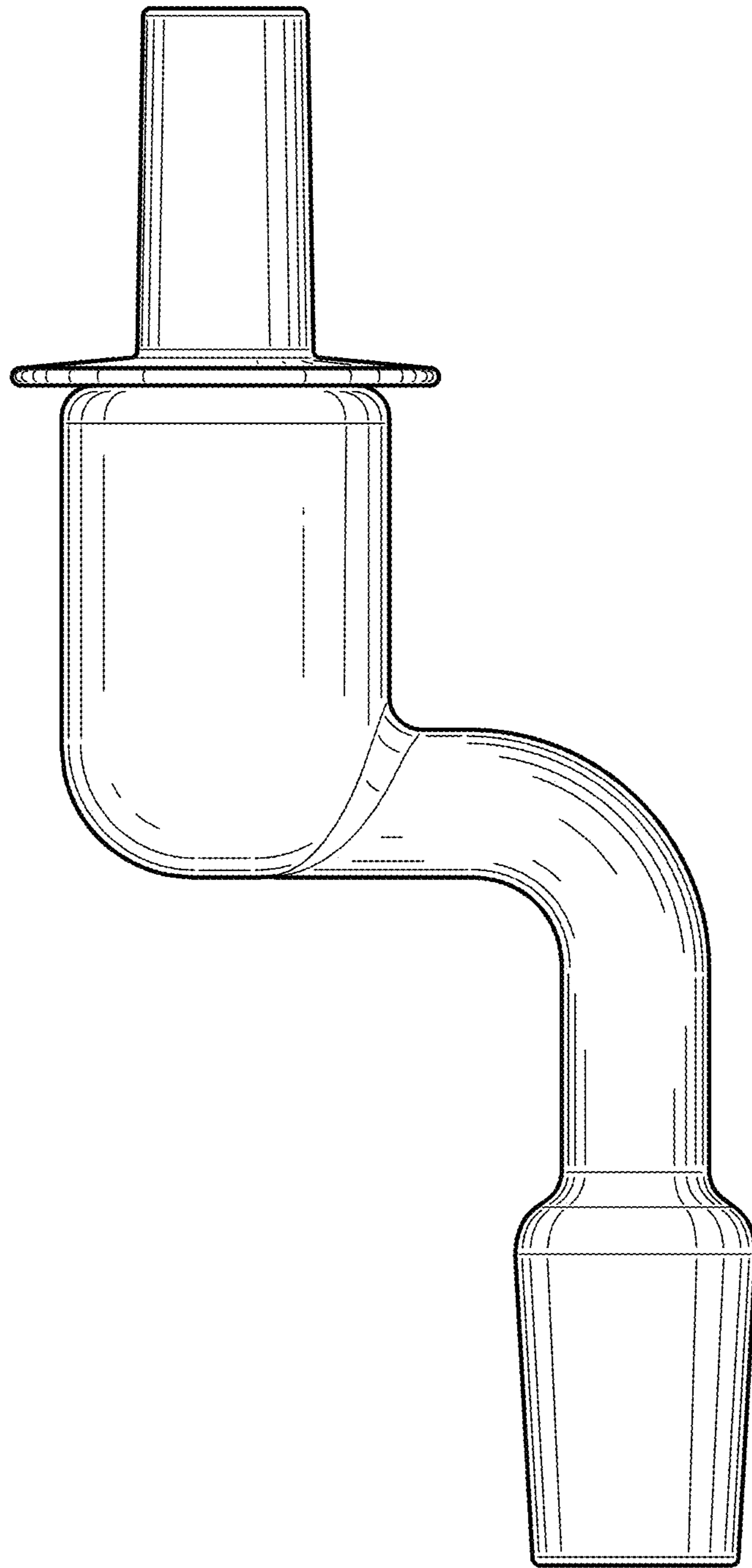


FIG. 1

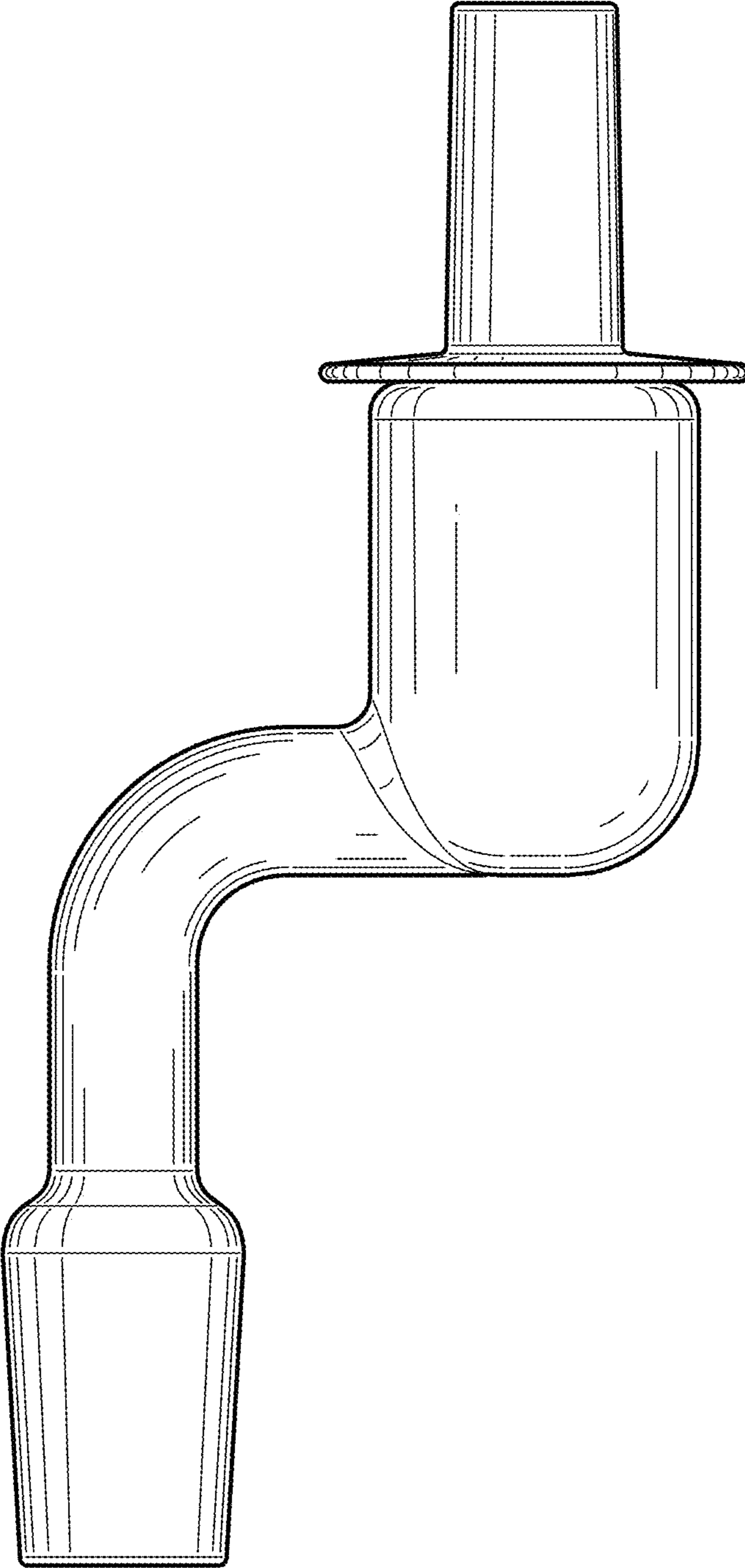


FIG. 2

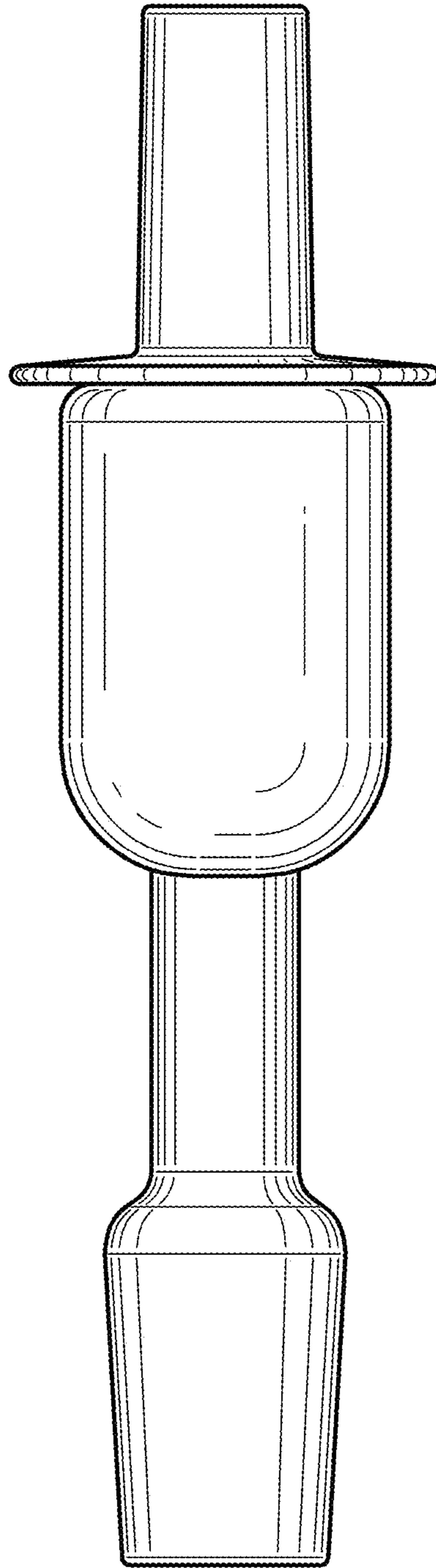


FIG. 3

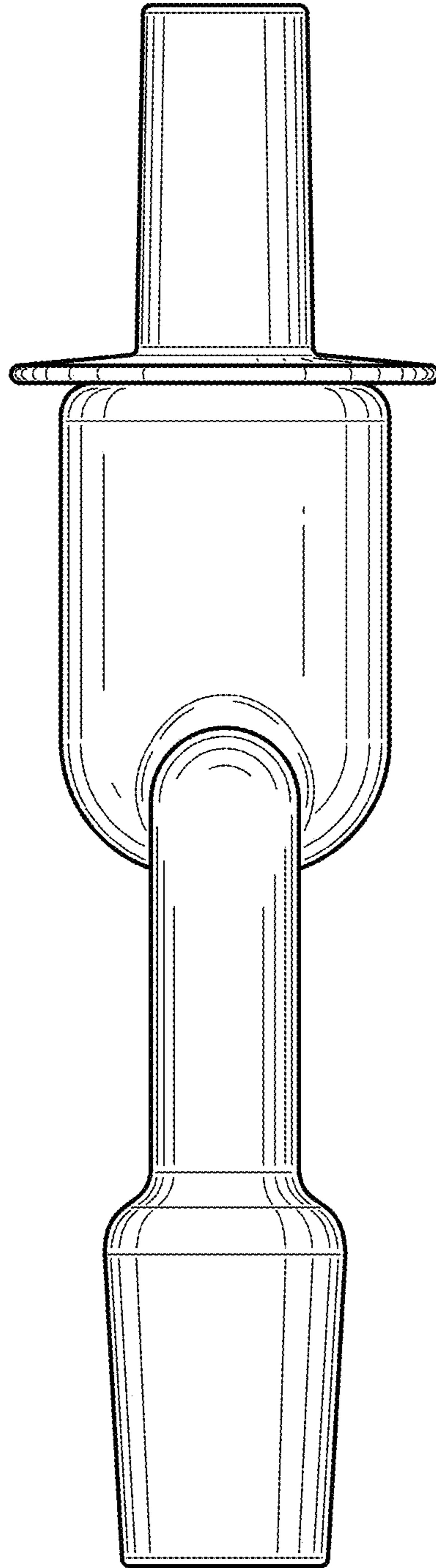


FIG. 4

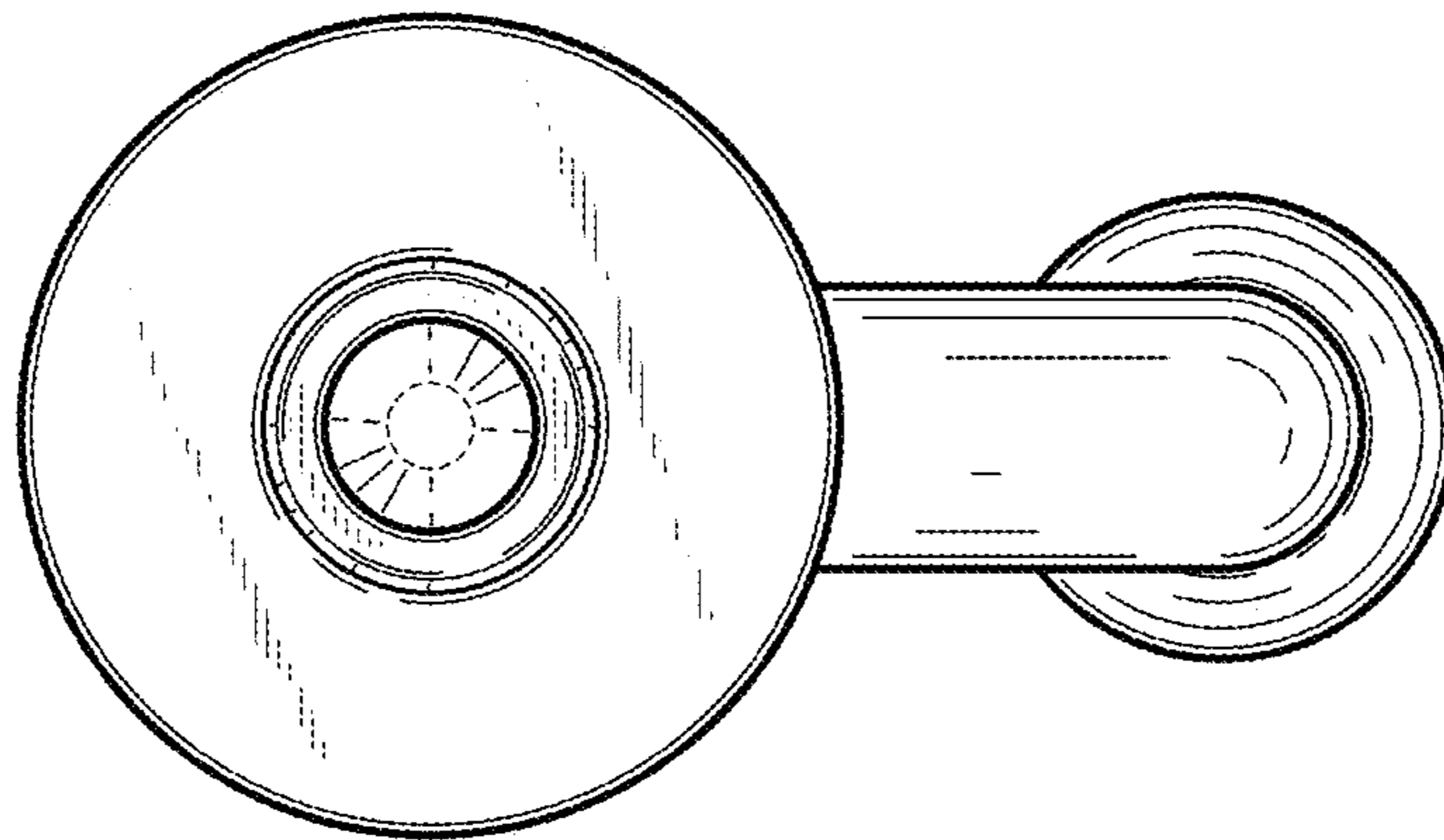


FIG. 5

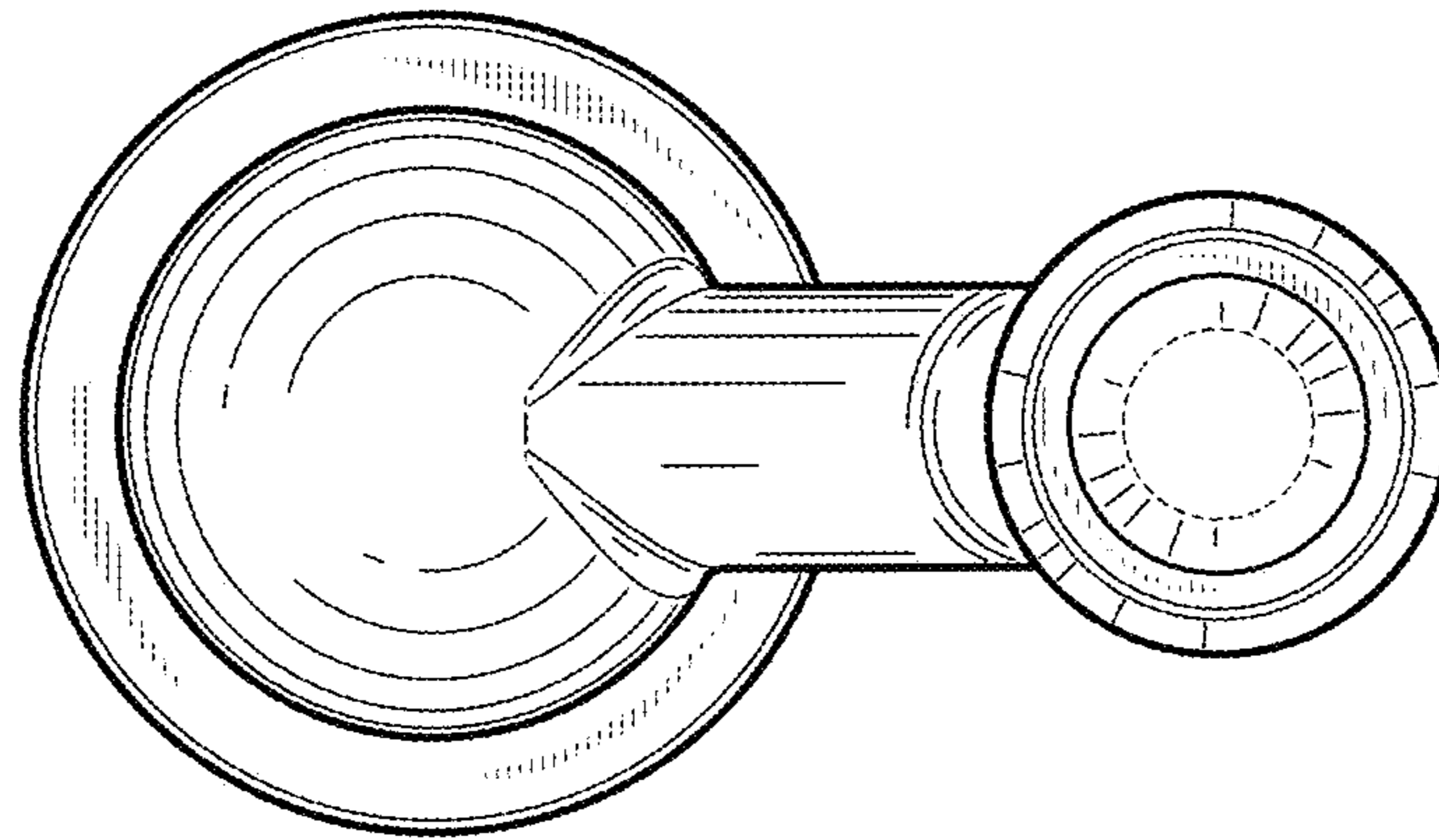


FIG. 6

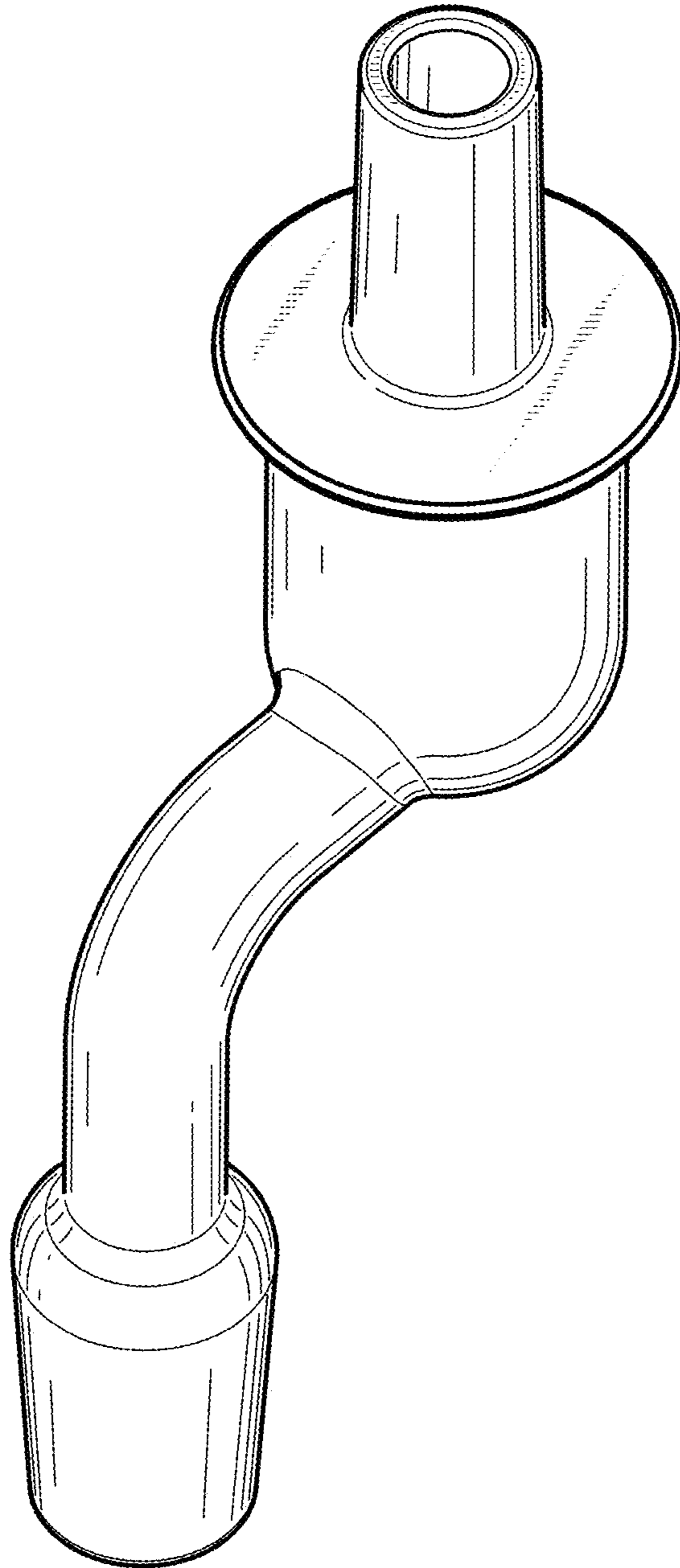


FIG. 7

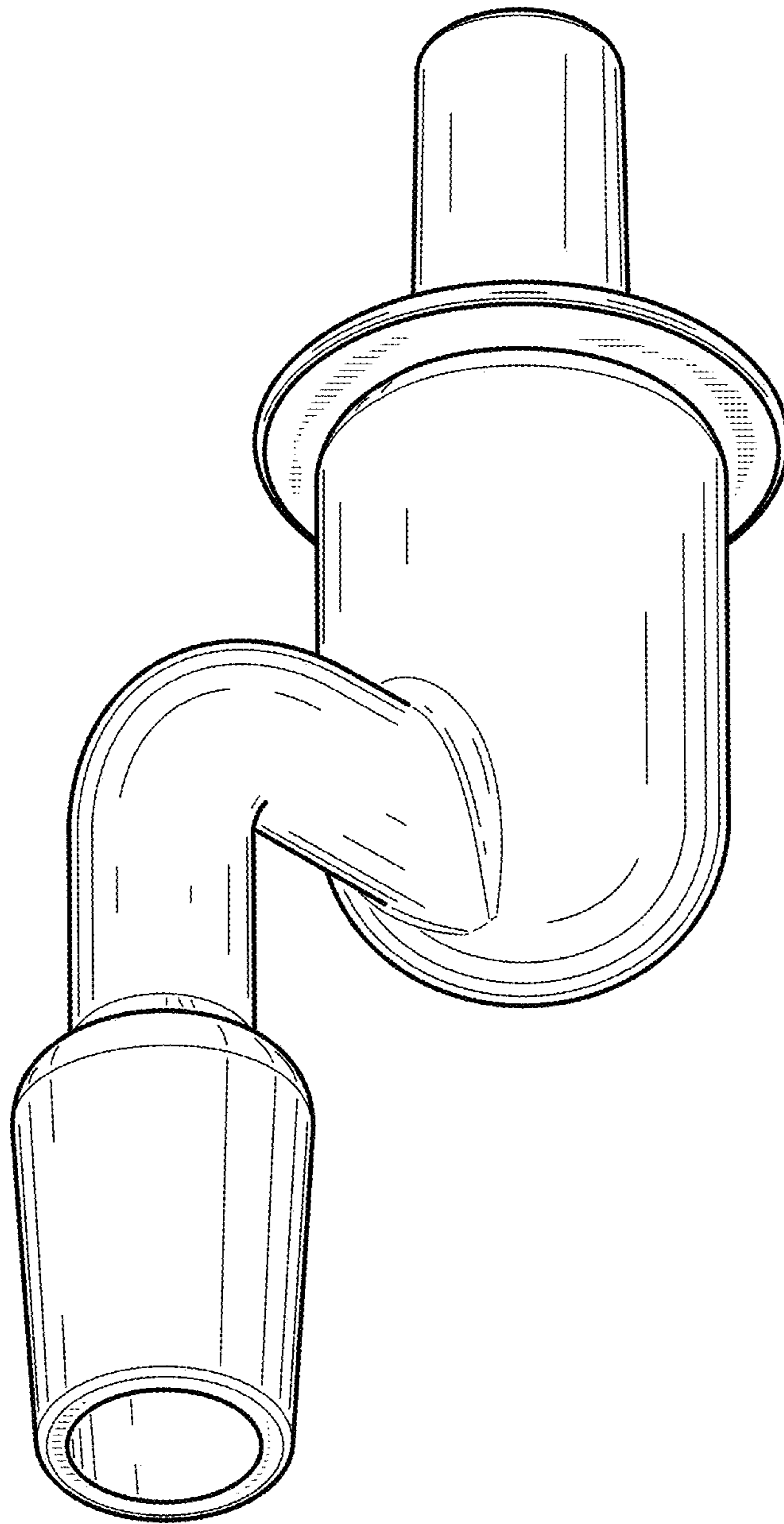


FIG. 8