



US00D948778S

(12) **United States Design Patent** (10) **Patent No.:** **US D948,778 S**
Liu (45) **Date of Patent:** **** Apr. 12, 2022**

(54) **ELECTRONIC CIGARETTE**

A61M 15/002; A61M 11/041; A61M 15/0001; A61M 15/0085; A61M

(71) Applicant: **Tuanfang Liu**, Shenzhen (CN)

(Continued)

(72) Inventor: **Tuanfang Liu**, Shenzhen (CN)

(56) **References Cited**

(**) Term: **15 Years**

U.S. PATENT DOCUMENTS

(21) Appl. No.: **29/724,131**

D729,440 S * 5/2015 Liu D27/101
D740,488 S * 10/2015 Leidel D27/167

(22) Filed: **Feb. 12, 2020**

(Continued)

(30) **Foreign Application Priority Data**

FOREIGN PATENT DOCUMENTS

Aug. 24, 2019 (CN) 201930462668.1

CN 201830428913 * 12/2018

(51) **LOC (13) Cl.** **27-02**

OTHER PUBLICATIONS

(52) **U.S. Cl.**

USPC **D27/162**

(58) **Field of Classification Search**

USPC D27/100, 101, 162, 163, 164, 165, 166,
D27/167, 168, 169, 170, 171, 172, 173,
D27/174, 175, 176, 177, 178, 179, 180,
D27/181, 182, 183, 184, 185, 186, 187,
D27/188, 189, 190, 191, 192, 193;
D28/91.1; D23/360, 362; D24/110,
D24/110.4, 110.5, 110.6, 113

Smok TFV8 Baby Beast. ByVaporAuthority.com. Dated Dec. 23, 2016. Found online [Mar. 1, 2021]. <https://www.youtube.com/watch?v=jMHaQlsk-fk> (Year: 2016).*

(Continued)

CPC A24F 40/10; A24F 40/40; A24F 40/46;
A24F 40/42; A24F 40/44; A24F 40/485;
A24F 40/50; A24F 40/60; A24F 40/90;
A24F 40/53; A24F 40/70; A24F 40/48;
A24F 40/51; A24F 40/57; A24F 40/05;
A24F 40/65; A24F 40/20; A24F 47/002;
A24F 40/30; A24F 7/00; A24F 47/00;
A24F 1/32; A24F 40/00; A24F 40/49;
A24F 40/85; A24F 40/95; A24F 7/04;
A24F 9/16; A24F 47/008; A24F 15/015;
A24F 40/465; A24F 42/60; A24F 1/02;
A24F 2700/03; A24F 47/006; A24F
13/00; A24F 13/14; A24F 15/01; A24F
15/12; A24F 15/14; A24F 15/18; A24F
42/00; A24F 42/10; A24F 7/02; A24F
47/004; A24F 1/00; A24F 42/20; A61M
11/042; A61M 15/06; A61M 2205/82;

Primary Examiner — Marissa J Cash
Assistant Examiner — William B Melliar

(74) *Attorney, Agent, or Firm* — Matthias Scholl P.C.;
Matthias Scholl

(57) **CLAIM**

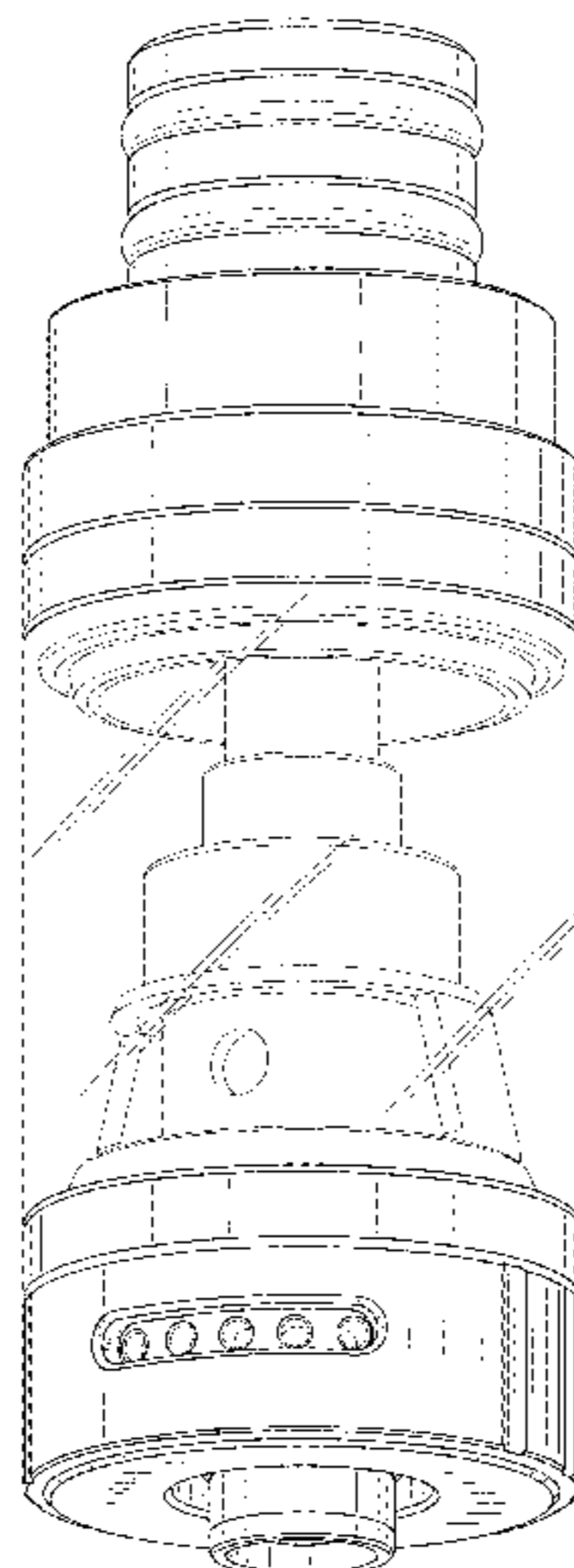
The ornamental design for an electronic cigarette, as shown and described.

DESCRIPTION

FIG. 1 is a front elevation view of an electronic cigarette;
FIG. 2 is a rear elevation view thereof;
FIG. 3 is a left-side elevation view thereof;
FIG. 4 is a right-side elevation view thereof;
FIG. 5 is a top plan view thereof;
FIG. 6 is a bottom plan view thereof; and,
FIG. 7 is a perspective view thereof.

The broken lines in the drawings depict portions of the electronic cigarette that form no part of the claimed design.

1 Claim, 7 Drawing Sheets



(58) **Field of Classification Search**

CPC ... 11/001; A61M 11/04; A61M 11/044; A61M 15/0015; A61M 15/0021; A61M 15/0028; A61M 15/0091; A61M 15/0095; A61M 16/0808; A61M 2205/0211; A61M 2205/0238; A61M 2205/0272; A61M 2205/123; A61M 2205/3334; A61M 2205/58; A61M 2205/7536; A61M 2205/3653; A61M 2205/18; A61M 2205/3317; A61M 2205/50; A61M 2205/52; A61M 2205/3368; A24B 15/167

See application file for complete search history.

D811,652 S *	2/2018	Liu	D27/167
D836,243 S *	12/2018	Liu	D27/167
D861,978 S *	10/2019	Lai	D27/167
D869,752 S *	12/2019	Dong	D27/162
D881,456 S *	4/2020	Chen	D27/162
D883,567 S *	5/2020	Liu	D27/162
D900,387 S *	10/2020	Liu	D27/162
D921,285 S *	6/2021	Liu	D27/167
D932,097 S *	9/2021	Liu	D27/162
2017/0049153 A1 *	2/2017	Guo	A61M 15/06
2017/0112193 A1 *	4/2017	Chen	A24F 47/008
2019/0134320 A1 *	5/2019	Fornarelli	H05B 3/44
2019/0357594 A1 *	11/2019	Liu	A24F 40/60
2020/0113236 A1 *	4/2020	Qiu	A24F 40/49

(56)

References Cited

U.S. PATENT DOCUMENTS

D771,219 S *	11/2016	Gilbarte	D22/117
D771,307 S *	11/2016	Wu	D27/101
D795,495 S *	8/2017	Li	D27/100

OTHER PUBLICATIONS

Hellvape Destiny RTA. By Mike Vapes. Dated Feb. 4, 2020. Found online [Mar. 2, 2021]. <https://www.youtube.com/watch?v=3icAKLI8rNs> (Year: 2020).*

* cited by examiner

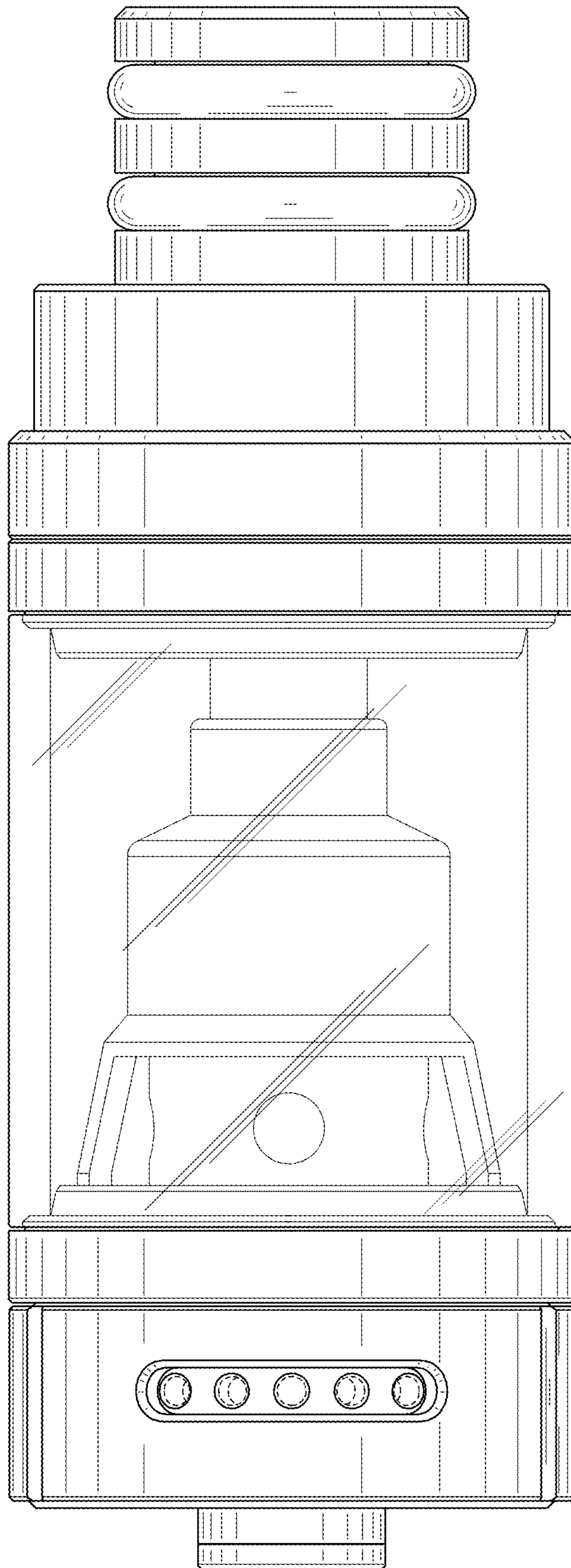


FIG. 1

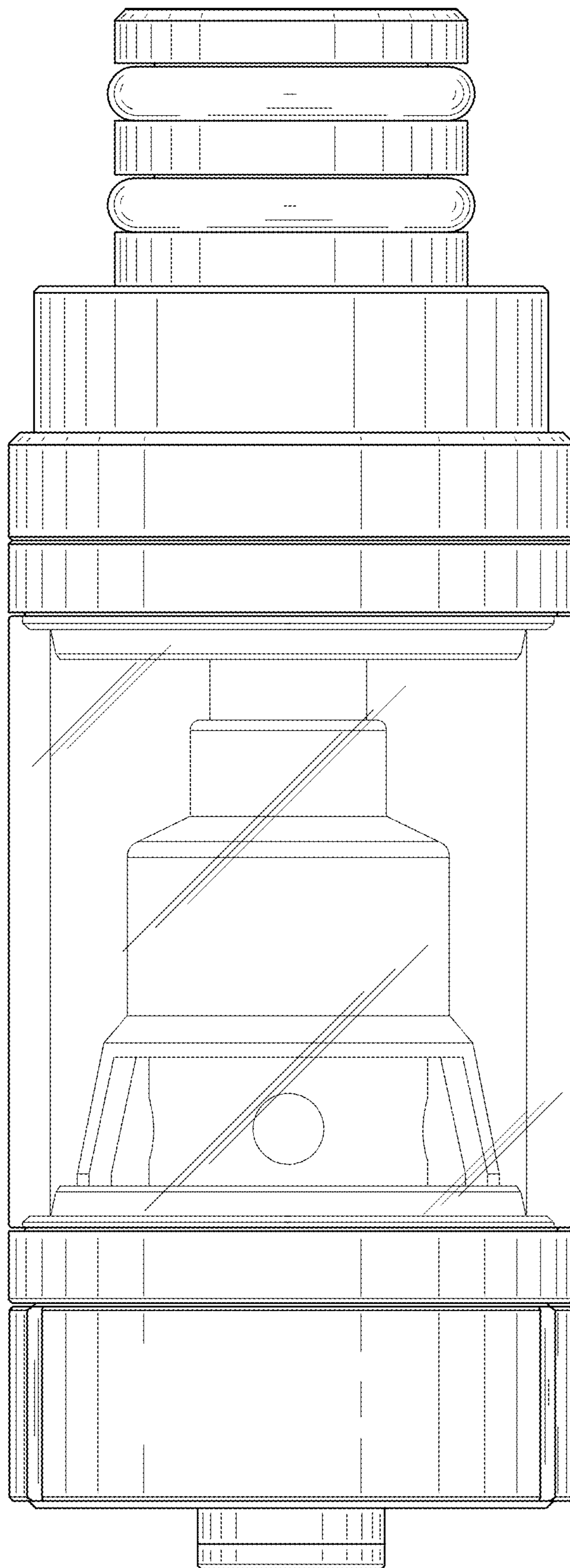


FIG. 2

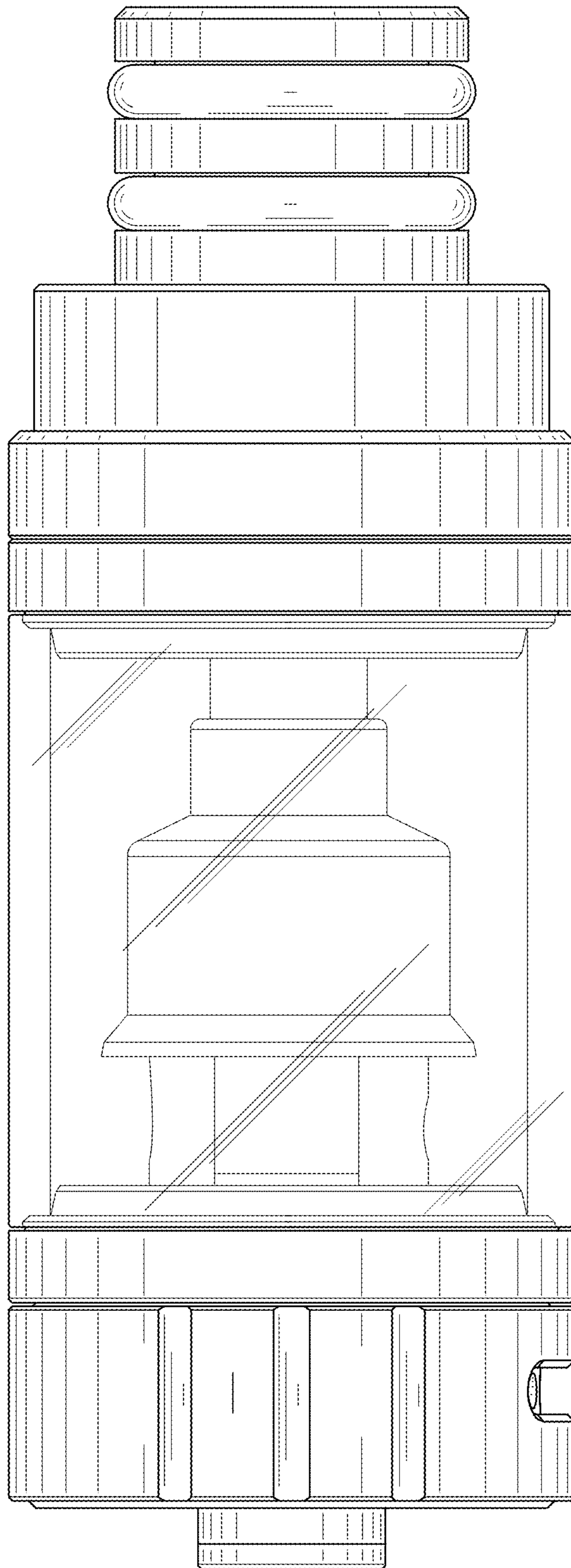


FIG. 3

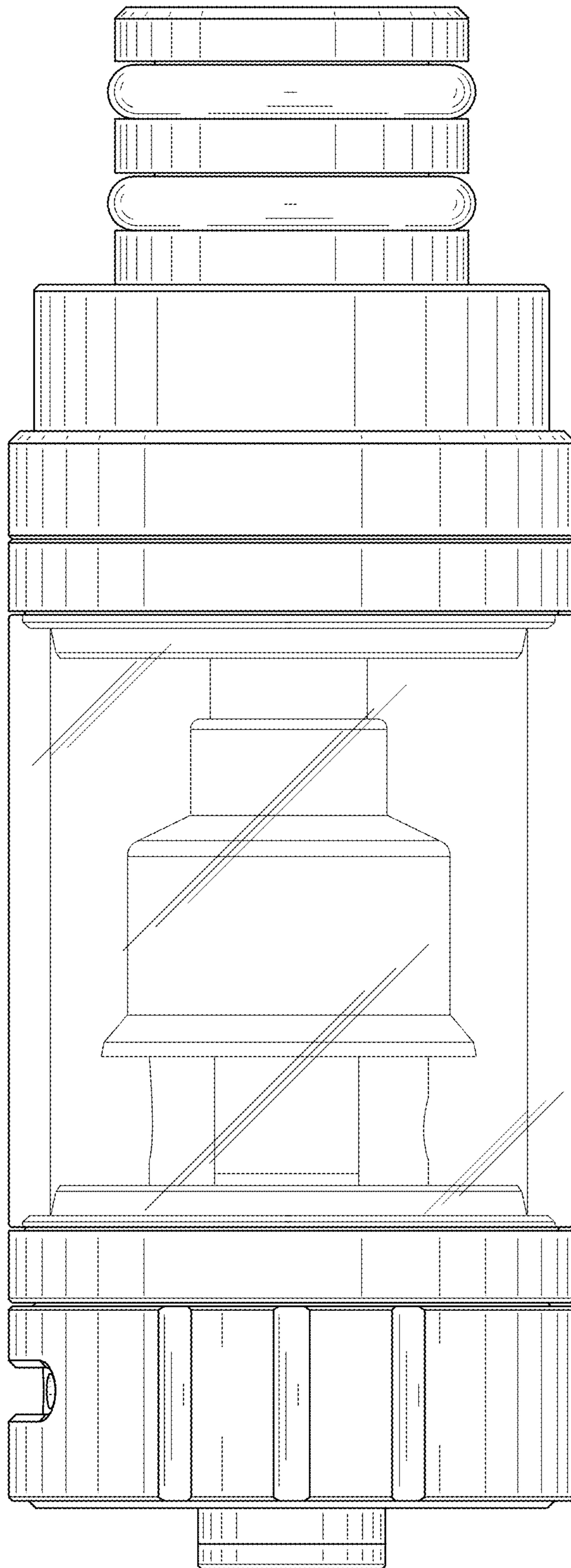


FIG. 4

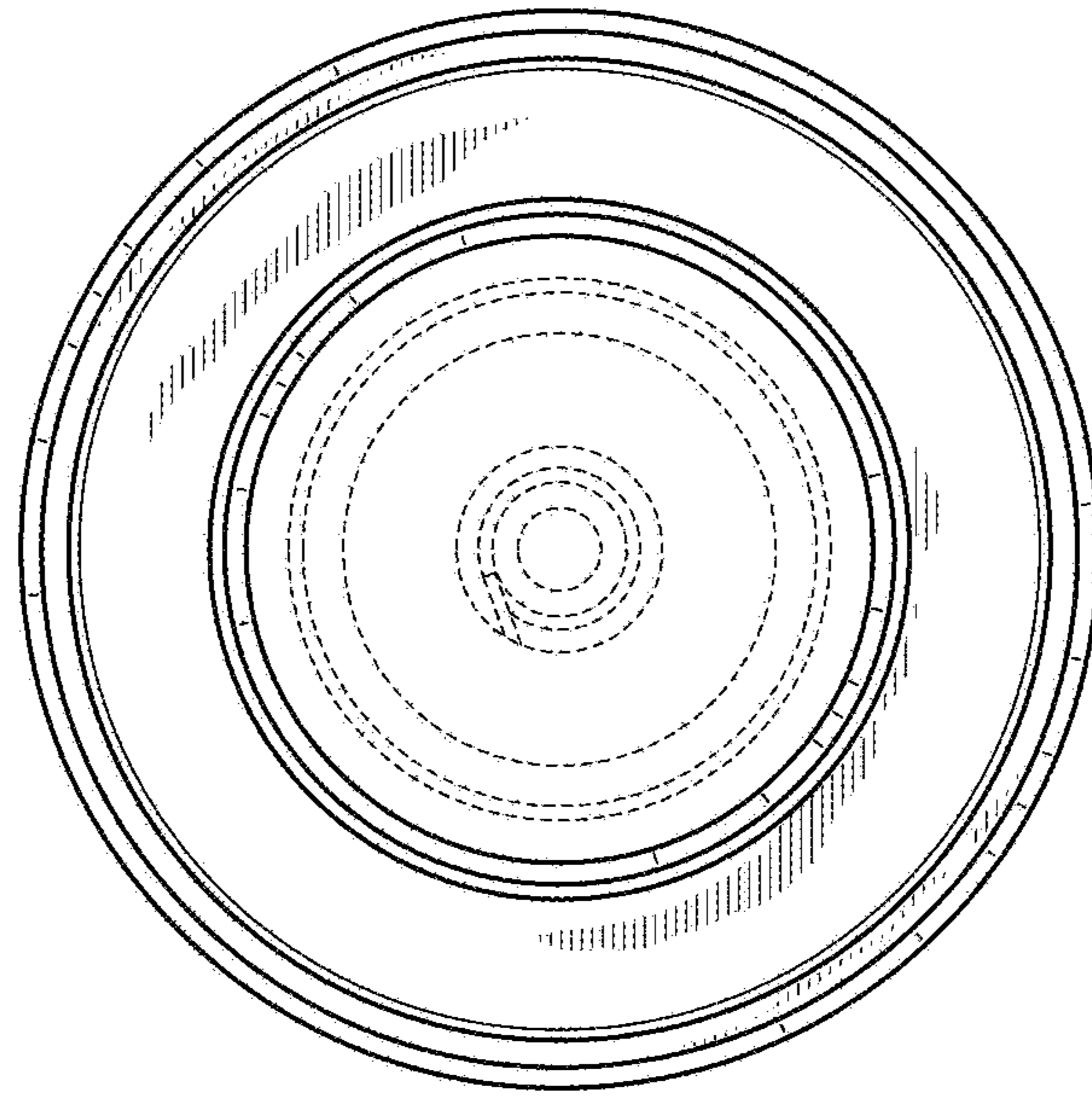


FIG. 5

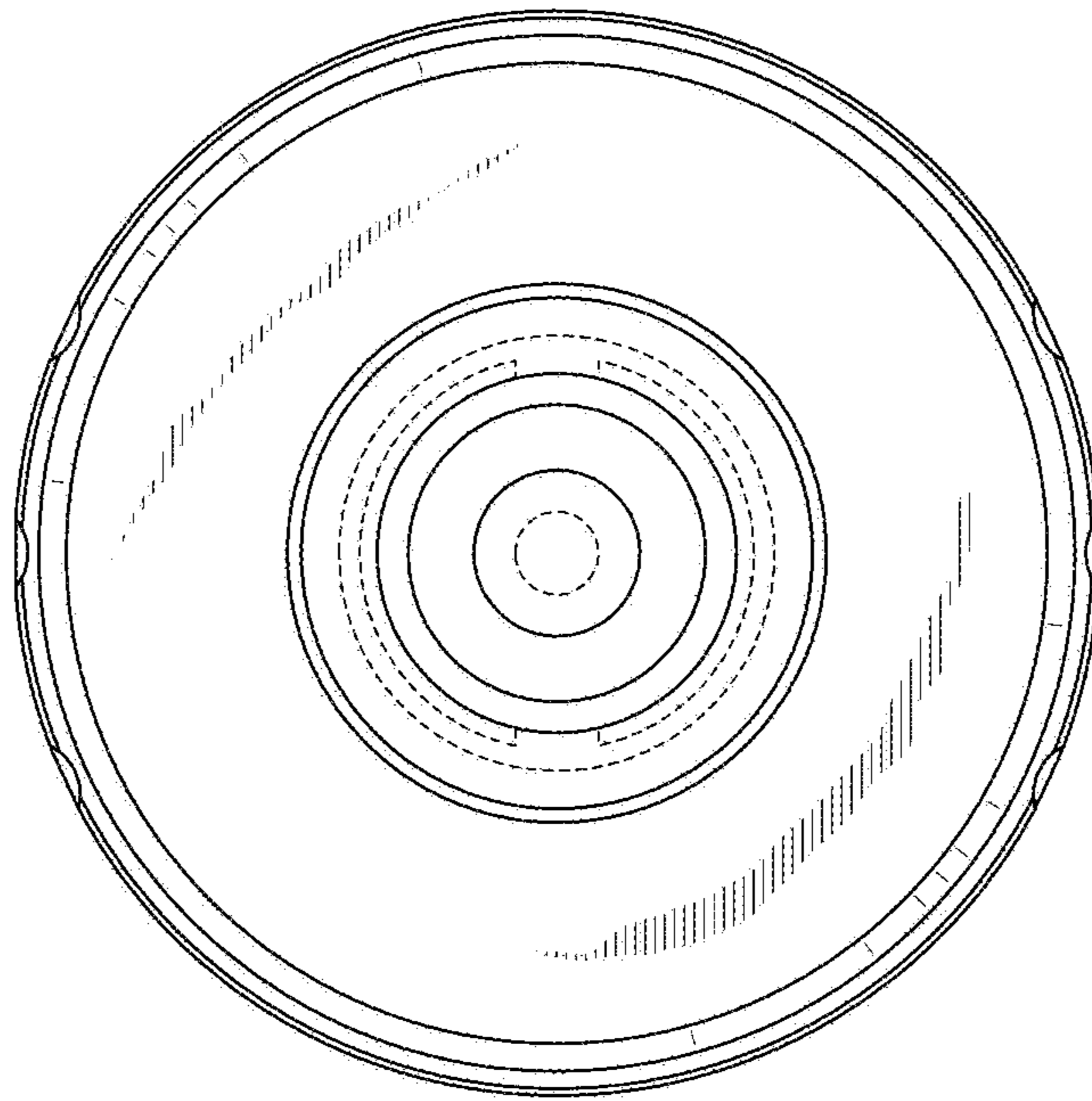


FIG. 6

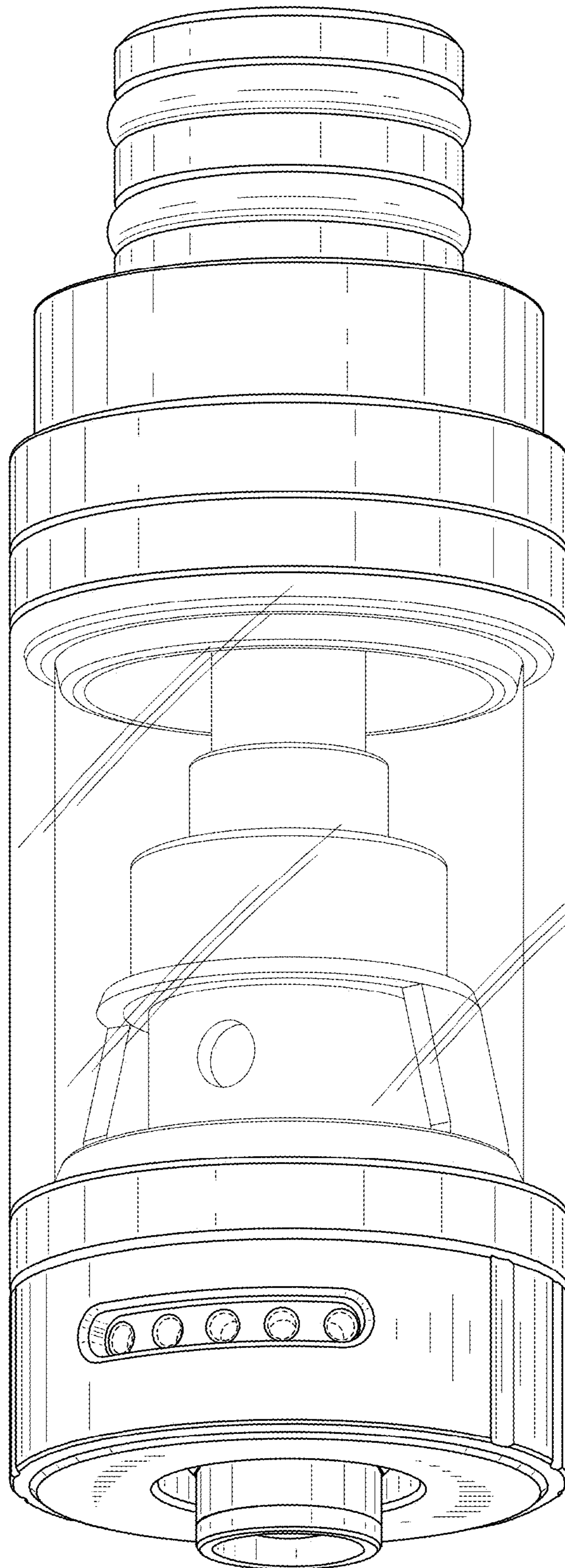


FIG. 7