



US00D948777S

(12) **United States Design Patent** (10) **Patent No.:** **US D948,777 S**
Sieczkowski (45) **Date of Patent:** **** Apr. 12, 2022**

(54) **LIGHTING FIXTURE**

(71) Applicant: **ABL IP Holding LLC**, Atlanta, GA
(US)

(72) Inventor: **Phillip Sieczkowski**, Lawrenceville, GA
(US)

(73) Assignee: **ABL IP Holding LLC**, Atlanta, GA
(US)

(**) Term: **15 Years**

(21) Appl. No.: **29/656,716**

(22) Filed: **Jul. 16, 2018**

(51) **LOC (13) Cl.** **26-05**

(52) **U.S. Cl.**
USPC **D26/138**

(58) **Field of Classification Search**
USPC D26/72, 74, 76, 78-83, 85, 86, 88, 90,
D26/93, 111, 113, 118, 119, 120, 121,
D26/122, 138, 139, 140, 141, 142, 152
CPC F21S 2/00; F21S 4/00; F21S 4/003; F21S
4/005; F21S 4/006; F21S 4/007; F21S
4/008; F21S 6/00; F21S 8/00; F21S
8/024; F21S 8/026; F21S 8/031; F21S
8/033; F21S 8/035-037; F21S 8/04; F21S
8/043; F21S 8/063

See application file for complete search history.

(56) **References Cited**

U.S. PATENT DOCUMENTS

7,309,152	B2	12/2007	Huang	
8,096,671	B1	1/2012	Cronk et al.	
D667,989	S *	9/2012	May	D26/139
D668,380	S *	10/2012	May	D26/139
D698,983	S *	2/2014	Rampolla	D26/90
D768,905	S *	10/2016	Sonneman	D26/88
D797,982	S *	9/2017	Sonneman	D26/90
D806,929	S *	1/2018	Clark	F21V 21/005 D26/88

D808,565	S *	1/2018	Ambrozus	D26/74
D809,699	S *	2/2018	Meise	D26/90
D812,283	S *	3/2018	Arndt	D26/88

(Continued)

OTHER PUBLICATIONS

CA184,666, "Office Action," dated Oct. 16, 2019, 3 pages.
CA184,667, "Office Action," dated Oct. 8, 2019, 3 pages.

Primary Examiner — Natasha Vujcic

(74) *Attorney, Agent, or Firm* — Kilpatrick Townsend &
Stockton LLP

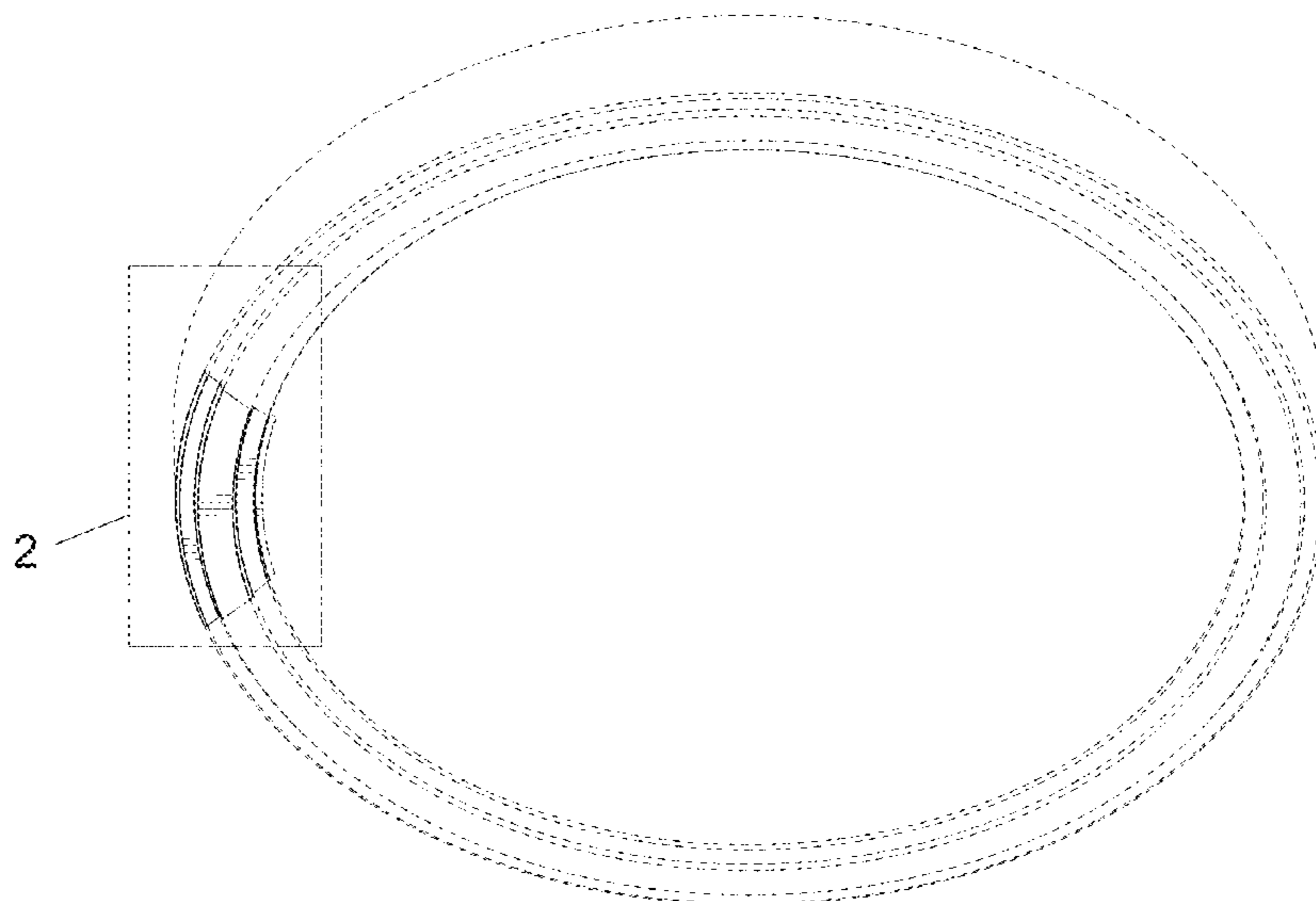
(57) **CLAIM**

The ornamental design for a lighting fixture, as shown and described.

DESCRIPTION

FIG. 1 is an isometric view of a lighting fixture.
FIG. 2 is an enlarged view of a portion of the lighting fixture as shown in FIG. 1.
FIG. 3 is a bottom view of the lighting fixture of FIG. 1.
FIG. 4 is an enlarged view of a portion of the lighting fixture as shown in FIG. 3.
FIG. 5 is a side view of the lighting fixture of FIG. 1.
FIG. 6 is an enlarged view of a portion of the lighting fixture as shown in FIG. 5.
FIG. 7 is another side view of the lighting fixture of FIG. 1.
FIG. 8 is another side view of the lighting fixture of FIG. 1.
FIG. 9 is another side view of the lighting fixture of FIG. 1.
FIG. 10 is a top view of the lighting fixture of FIG. 1.
FIG. 11 is a cross-section view of the lighting fixture along the line 11-11 in FIG. 3; and,
FIG. 12 is an enlarged view of a portion of the cross section of the lighting fixture as shown in FIG. 11.
The broken lines in the drawings denote structure that is not part of the claimed design.

1 Claim, 9 Drawing Sheets



(56)

References Cited

U.S. PATENT DOCUMENTS

D824,575	S	*	7/2018	Boulanger	D26/89
D825,820	S	*	8/2018	Sonneman	D26/90
D835,328	S	*	12/2018	Silver	D26/90
D851,293	S	*	6/2019	Anderson	D26/10
D866,044	S	*	11/2019	Anastassiades	D26/88
D880,045	S	*	3/2020	Clarkson	D26/79
D890,978	S	*	7/2020	Birchler	D26/88
D898,979	S	*	10/2020	Silver	D26/88
D899,107	S	*	10/2020	Luo	D6/309
D903,924	S	*	12/2020	Mei	D26/74
2012/0320627	A1		12/2012	Araki et al.		
2013/0044512	A1		2/2013	Araki et al.		

* cited by examiner

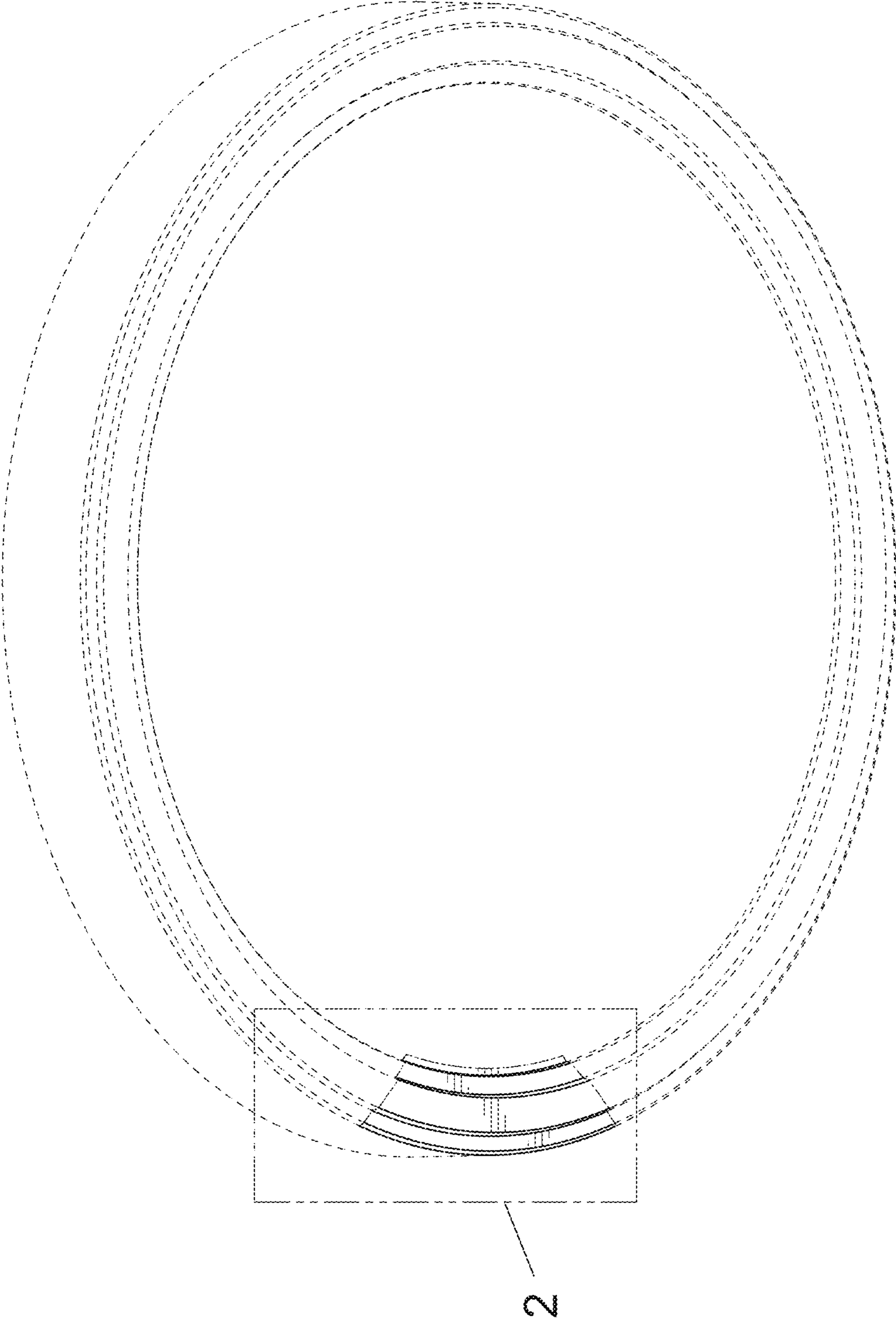


FIG. 1

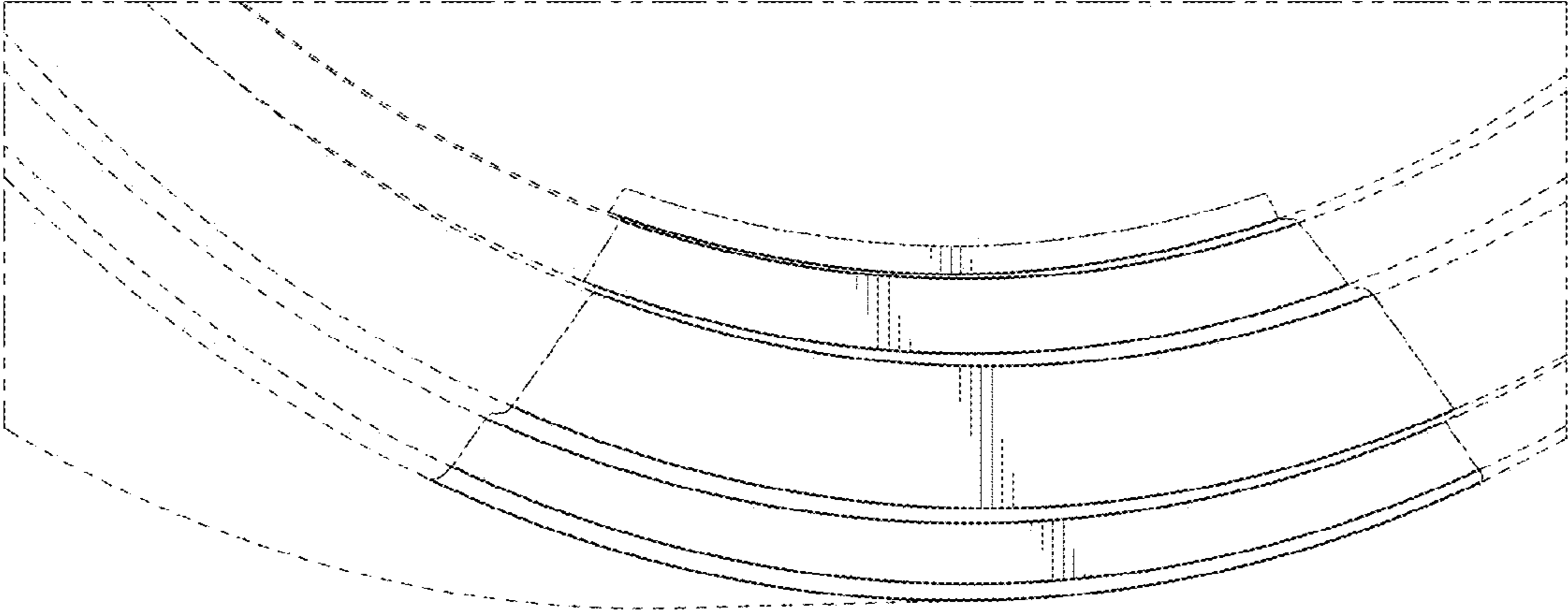


FIG. 2

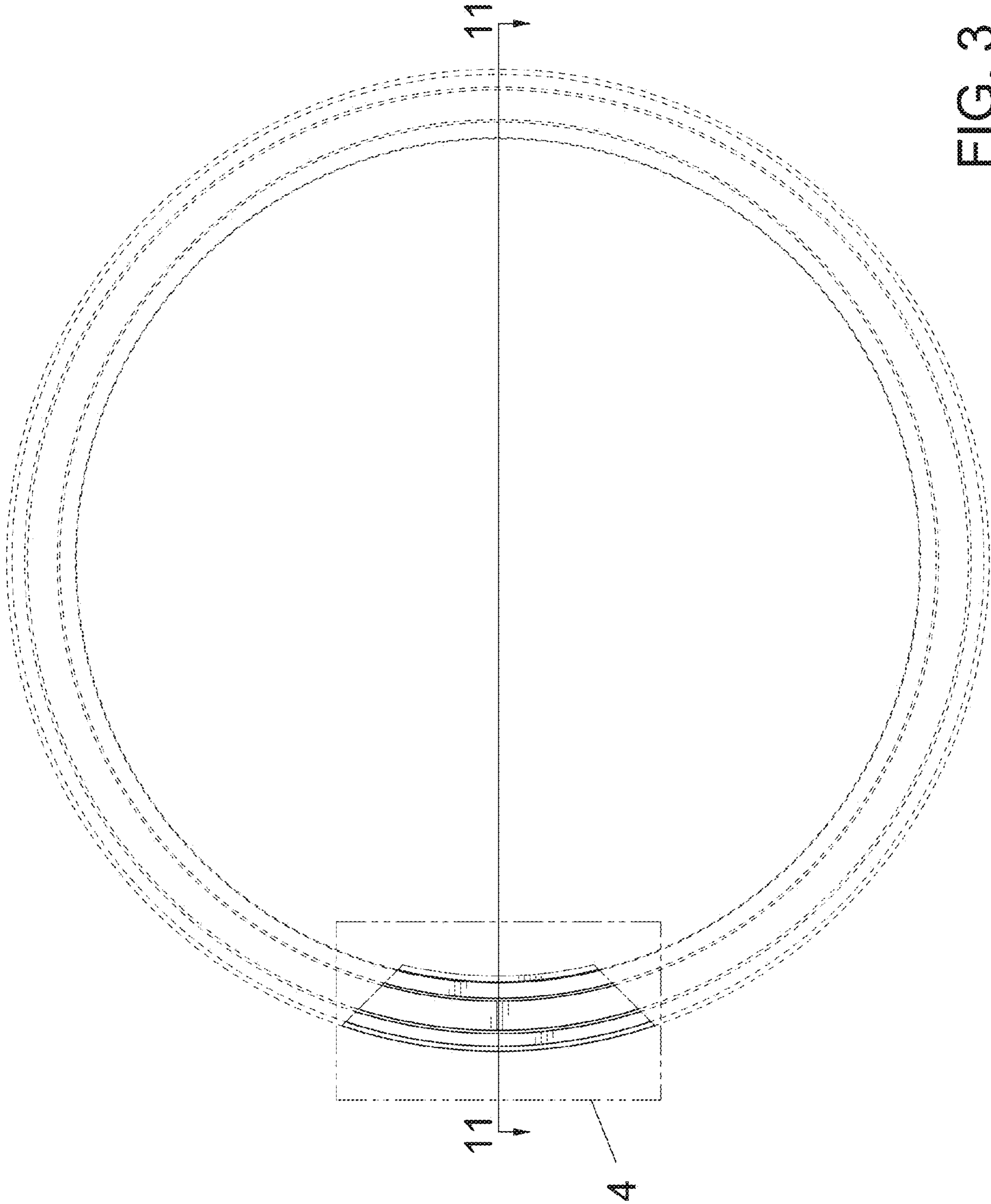


FIG. 3

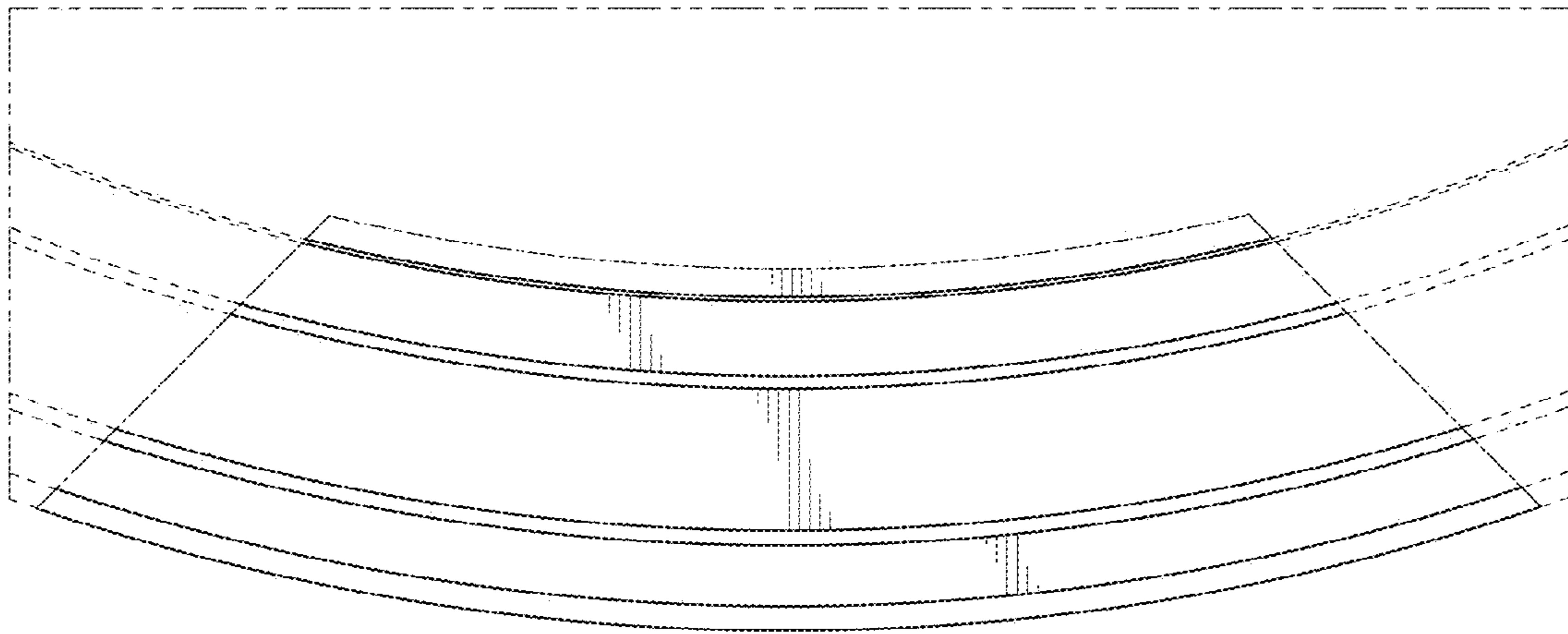


FIG. 4

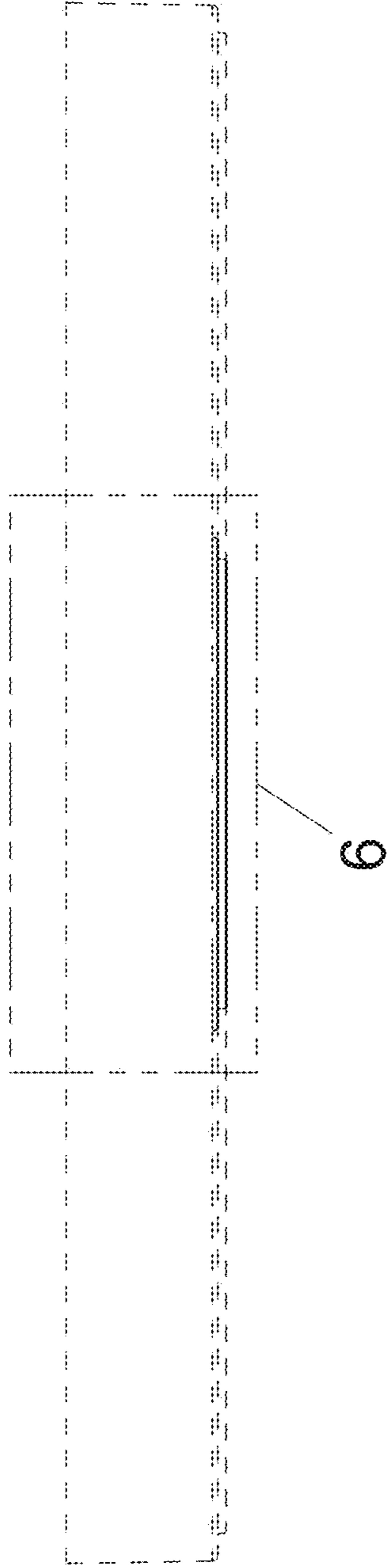


FIG. 5

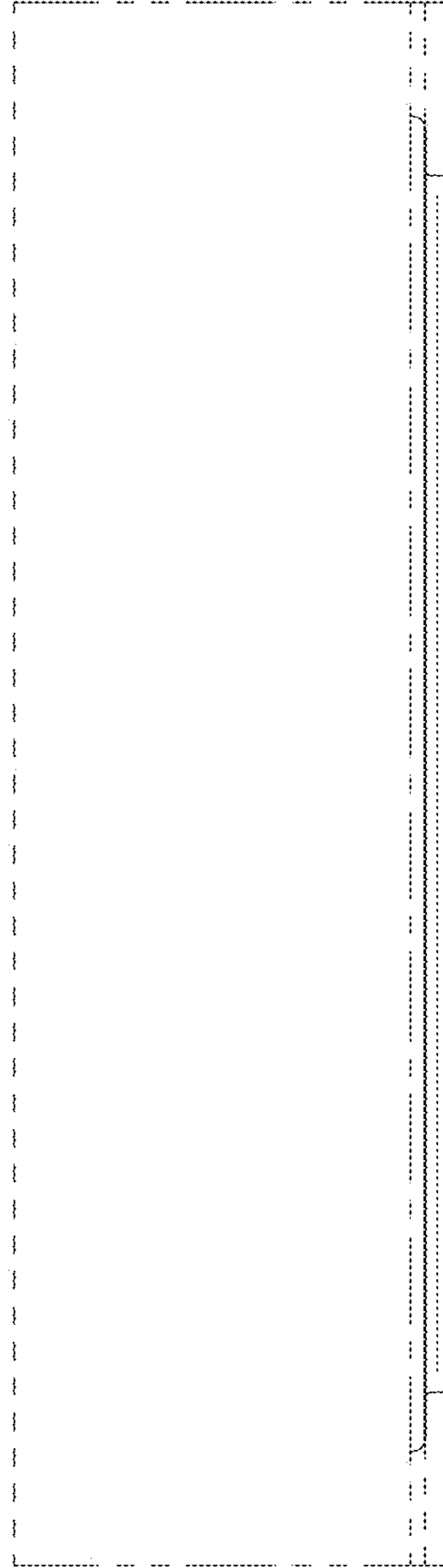


FIG. 6



FIG. 7

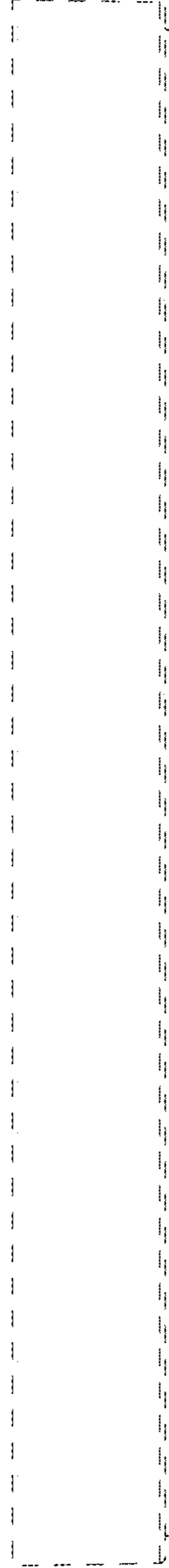


FIG. 8



FIG. 9

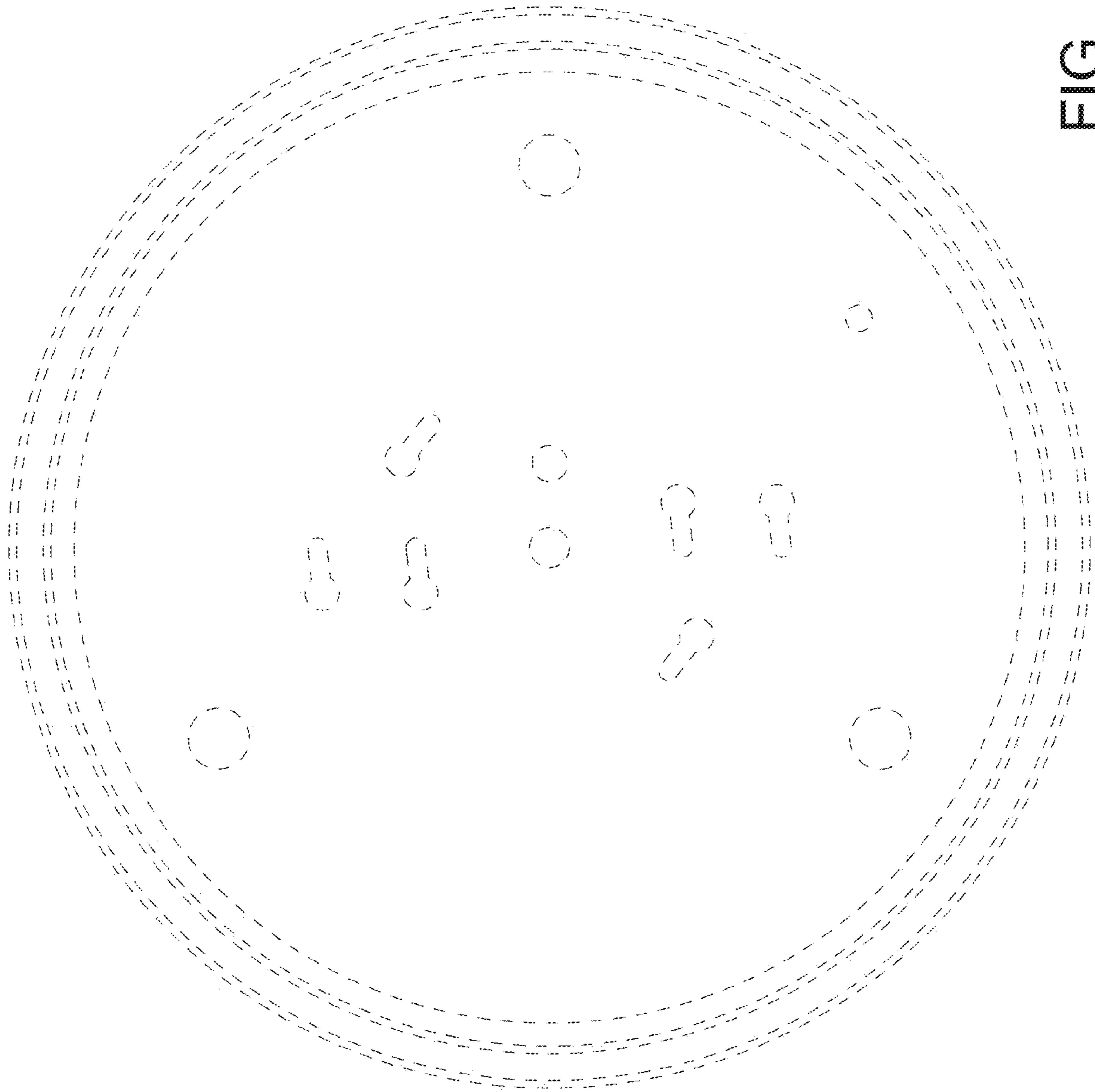


FIG. 10

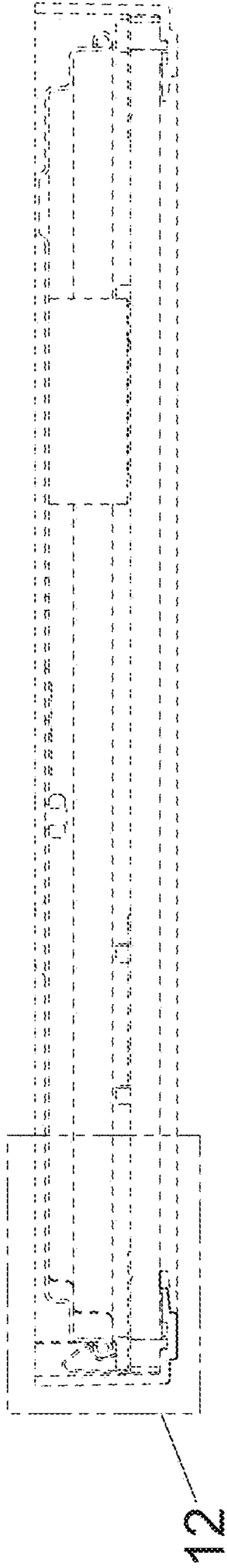


FIG. 11

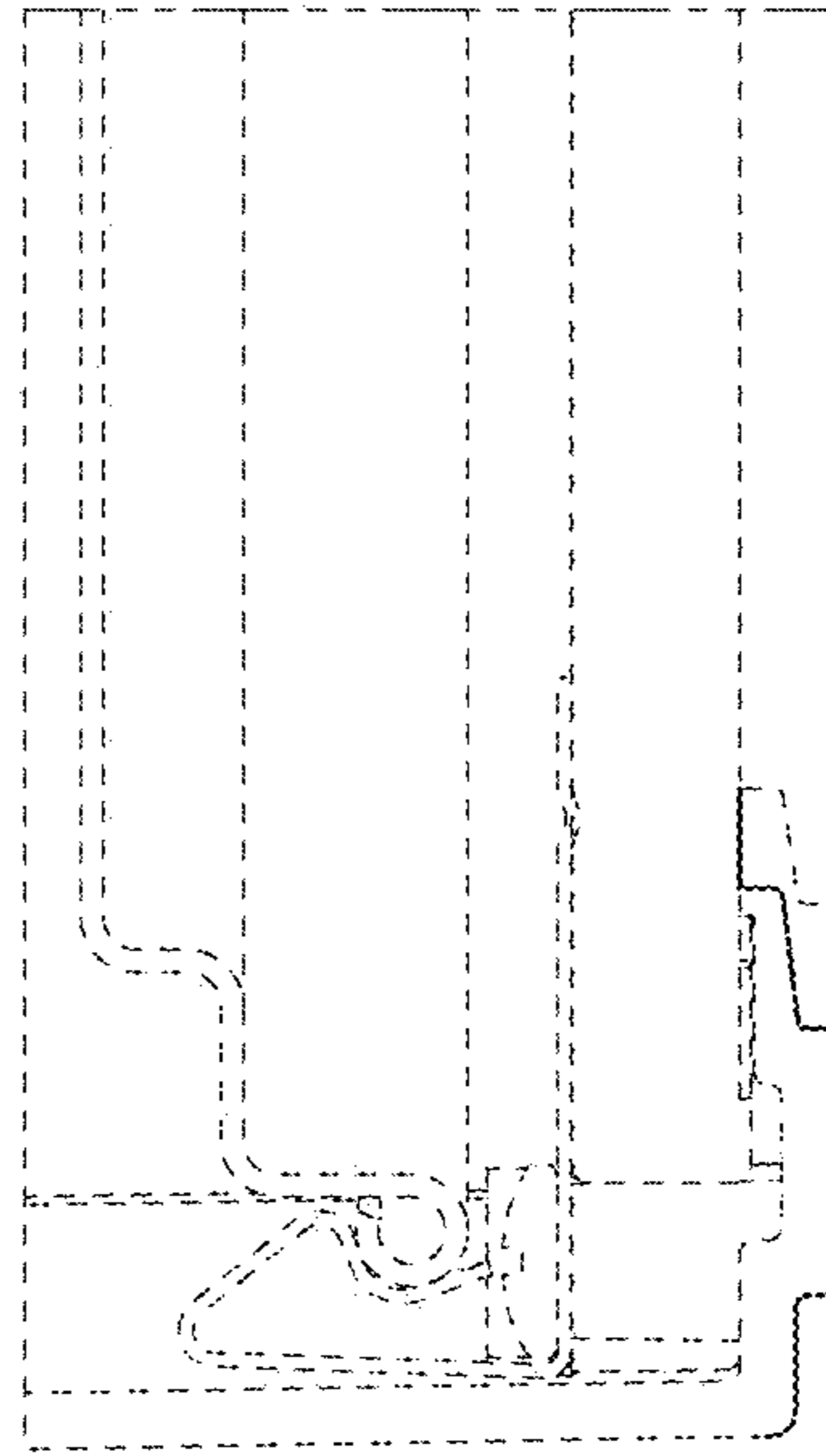


FIG. 12