

US00D948776S

(12) **United States Design Patent**  
**Dai**

(10) **Patent No.:** **US D948,776 S**  
(45) **Date of Patent:** **\*\* Apr. 12, 2022**

(54) **PROJECTION LAMP**

(71) Applicant: **SHENZHEN HUIAN PHOTOELECTRIC CO., LTD.**,  
Shenzhen (CN)

(72) Inventor: **Liangqi Dai**, Fuzhou (CN)

(73) Assignee: **SHENZHEN HUIAN PHOTOELECTRIC CO., LTD.**,  
Shenzhen (CN)

(\*\*) Term: **15 Years**

(21) Appl. No.: **29/783,674**

(22) Filed: **May 14, 2021**

(51) **LOC (13) Cl.** ..... **26-05**

(52) **U.S. Cl.**  
USPC ..... **D26/110**

(58) **Field of Classification Search**  
USPC ..... D26/24, 93, 94, 97, 102, 106, 110  
CPC .... F21W 2121/008; F21S 6/002; F21S 6/004;  
F21S 6/035; F21S 9/00; F21S 9/02; F21S  
8/03; F21S 8/033; F21L 2/00; F21L 4/00;  
F21L 4/02; F21L 4/025; F21L 4/027;  
F21L 14/00

See application file for complete search history.

(56) **References Cited**

**U.S. PATENT DOCUMENTS**

D561,925 S *	2/2008	Levine	.....	D26/72
D891,682 S	7/2020	Wei	.....	
D898,271 S *	10/2020	Zheng	.....	D26/110
D914,957 S	3/2021	Zeng	.....	
D914,958 S *	3/2021	Zheng	.....	D26/110
D919,146 S *	5/2021	Li	.....	D26/51
D919,875 S *	5/2021	Peng	.....	D26/110
D919,876 S *	5/2021	Ouyang	.....	D26/110
D922,664 S *	6/2021	Li	.....	D26/106

D927,043 S *	8/2021	Tian	.....	D26/93
D927,751 S *	8/2021	Zheng	.....	D26/51
D927,767 S *	8/2021	Zheng	.....	D26/110
D930,222 S *	9/2021	Song	.....	D26/106
D933,282 S *	10/2021	Ji	.....	F21S 10/00
				D26/93
2021/0164628 A1 *	6/2021	Zheng	.....	F21S 10/00

**FOREIGN PATENT DOCUMENTS**

GB 6175006 \* 11/2021

**OTHER PUBLICATIONS**

Amazon, "Galaxy Projector", first available Jun. 6, 20220. (<https://www.amazon.com/dp/B089R9Z4XC/>) (Year: 2020).\*

(Continued)

*Primary Examiner* — Lauren D McVey  
*Assistant Examiner* — Justin A Johnson

(57) **CLAIM**

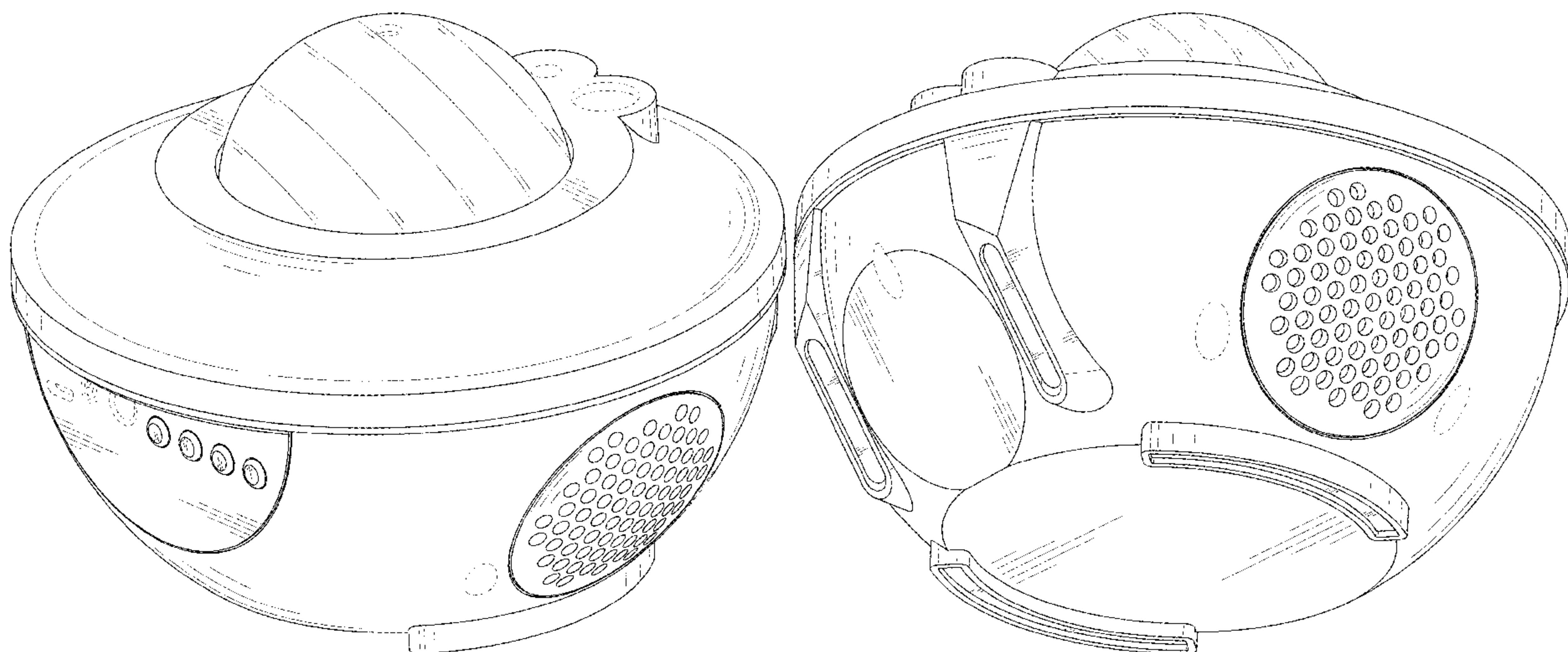
The ornamental design for a projection lamp, as shown and described.

**DESCRIPTION**

FIG. 1 is a perspective view of a projection lamp showing my new design;  
FIG. 2 is another perspective view thereof;  
FIG. 3 is a front elevational view thereof;  
FIG. 4 is a rear elevational view thereof;  
FIG. 5 is a left side elevational view thereof;  
FIG. 6 is a right side elevational view thereof;  
FIG. 7 is a top plan view thereof; and,  
FIG. 8 is a bottom plan view thereof.

The broken lines immediately adjacent to the shaded areas depict the bounds of the claimed design, while all other broken lines are directed to environment. The broken lines form no part of the claimed design.

**1 Claim, 8 Drawing Sheets**



(56)

**References Cited**

OTHER PUBLICATIONS

Amazon, "Galaxy Projector Star Projector Night Light", first available Aug. 15, 2020. (<https://www.amazon.com/Galaxy-Projector-Bluetooth-Speaker-Bedroom/dp/B08D3RV3YS/>) (Year: 2020).\*

Amazon, "Galaxy Projector Galaxy Light Projector", first available Jun. 8, 2021. (<https://www.amazon.com/dp/B09326DH98/>) (Year: 2021).\*

Amazon, "Lupantte Galaxy Star Projector", first available Mar. 1, 2021. (<https://www.amazon.com/dp/B08V94T9VW/>) (Year: 2021).\*

\* cited by examiner

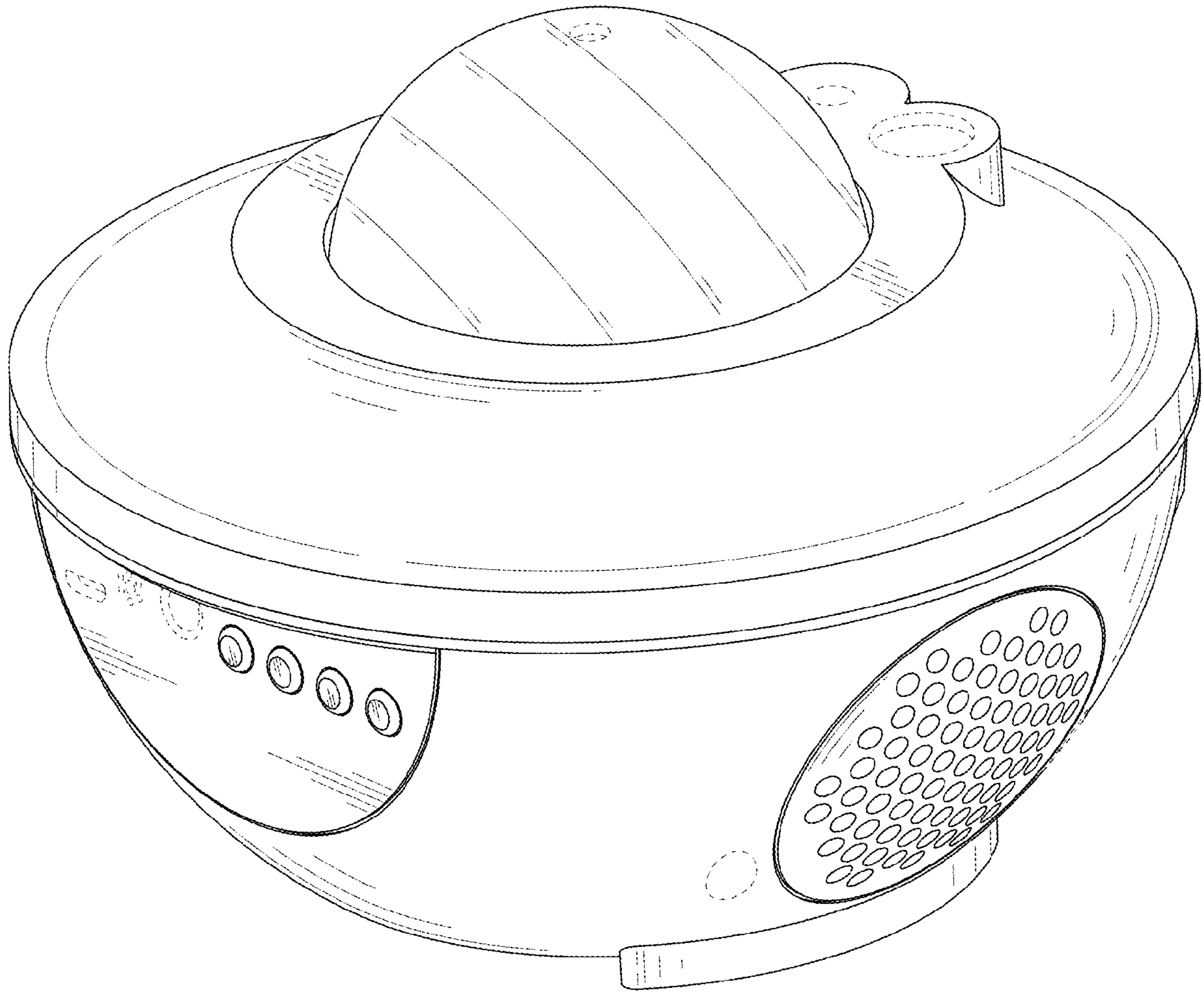


FIG. 1



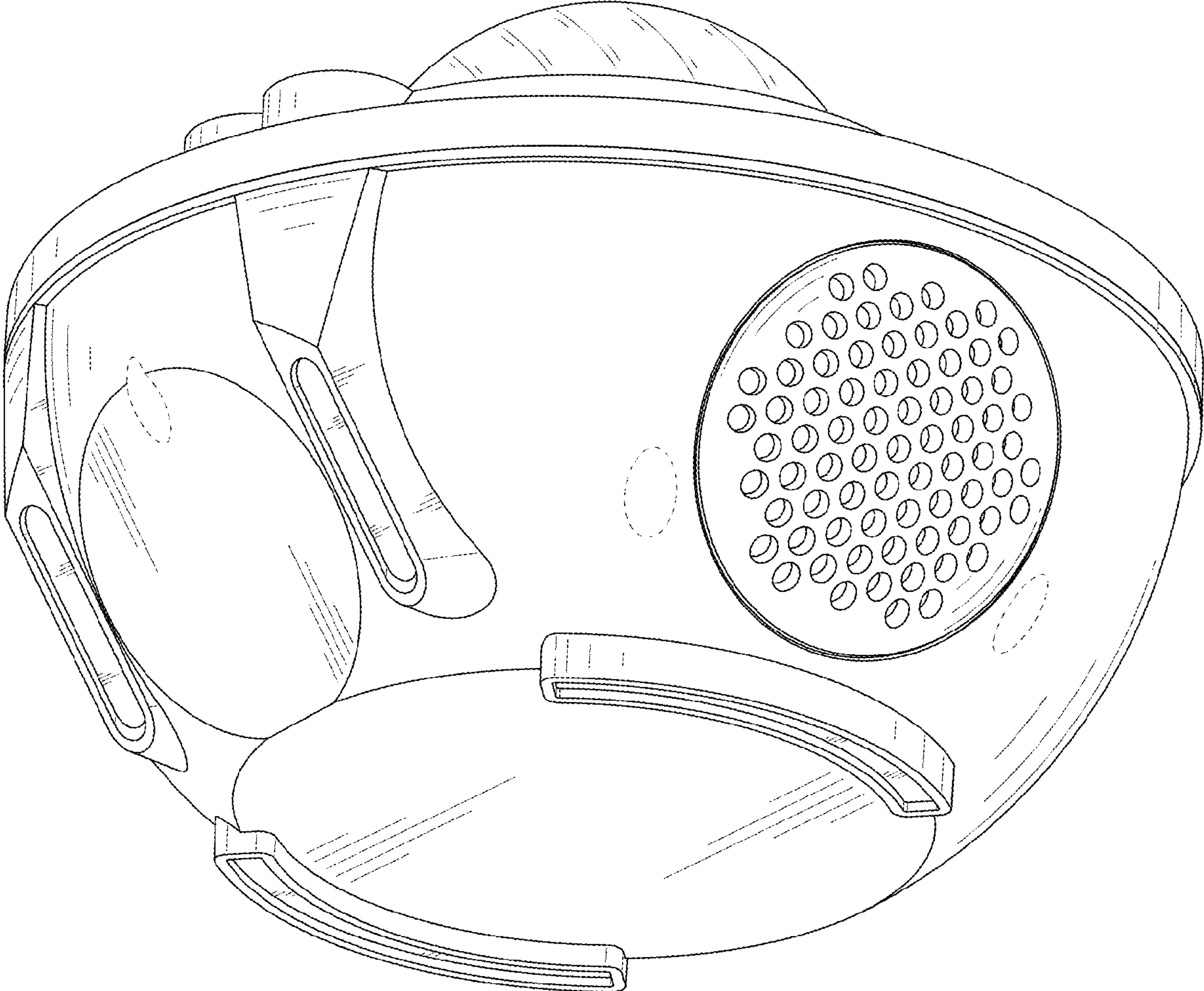


FIG. 2

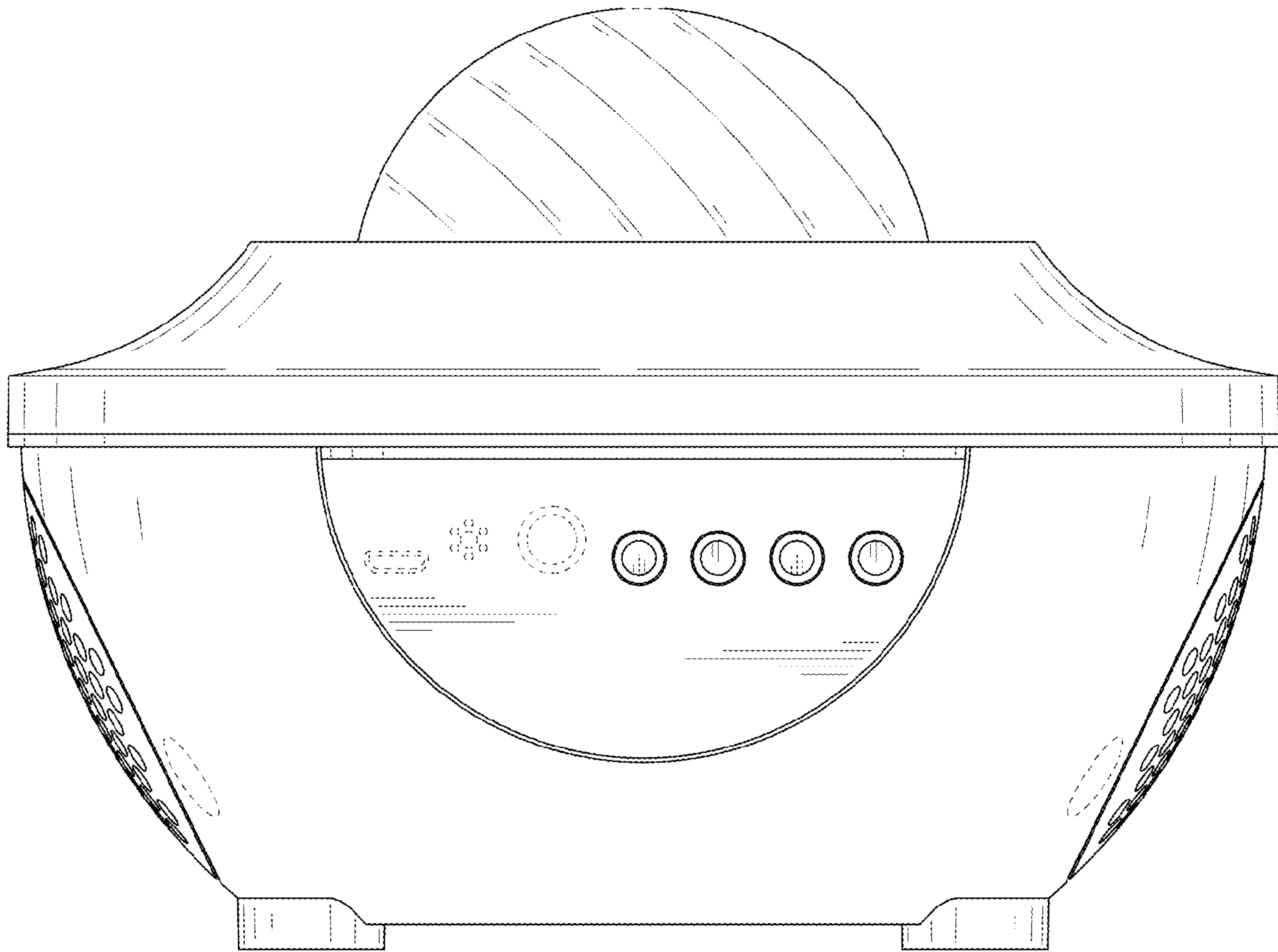


FIG. 3

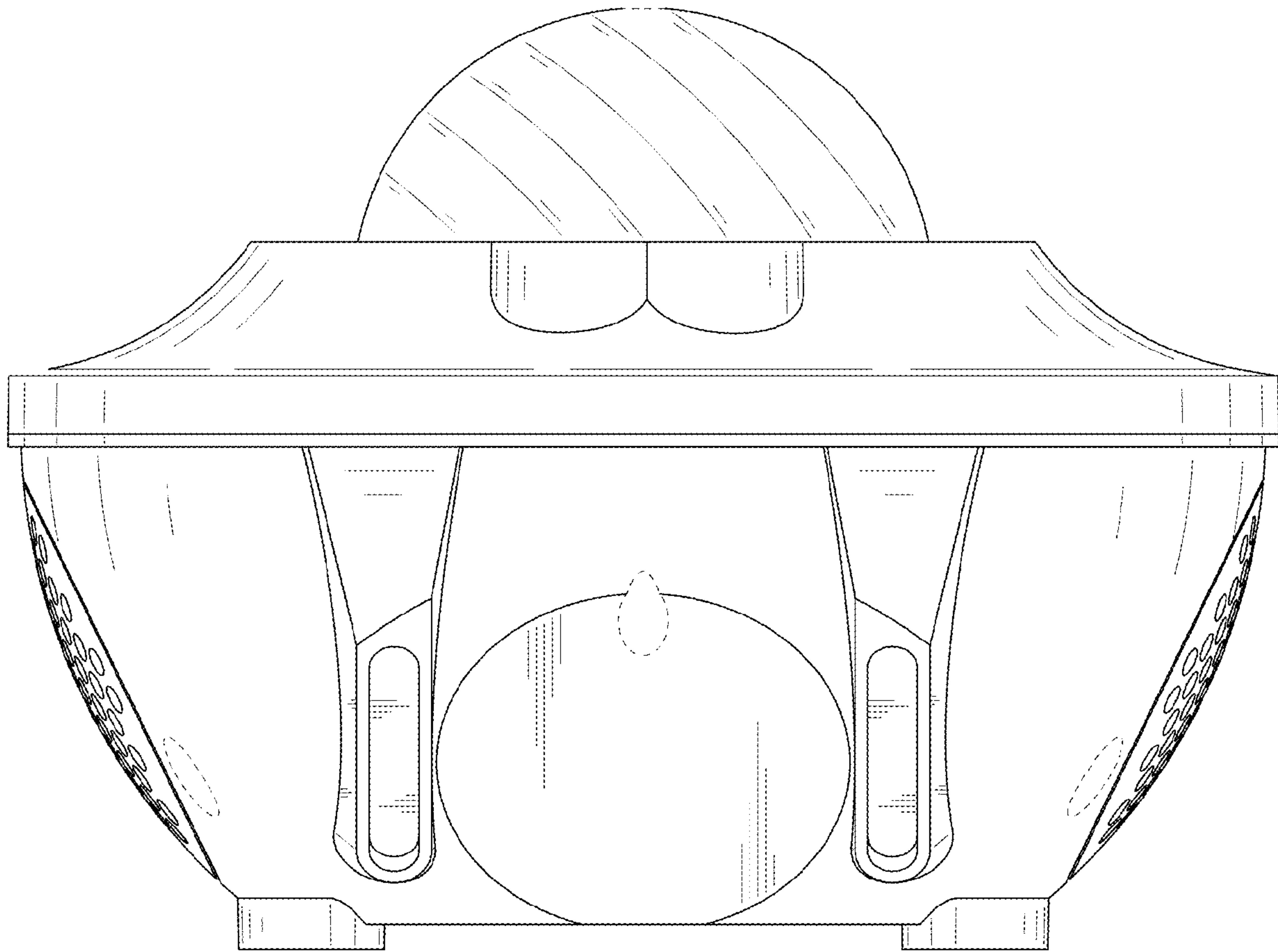


FIG. 4

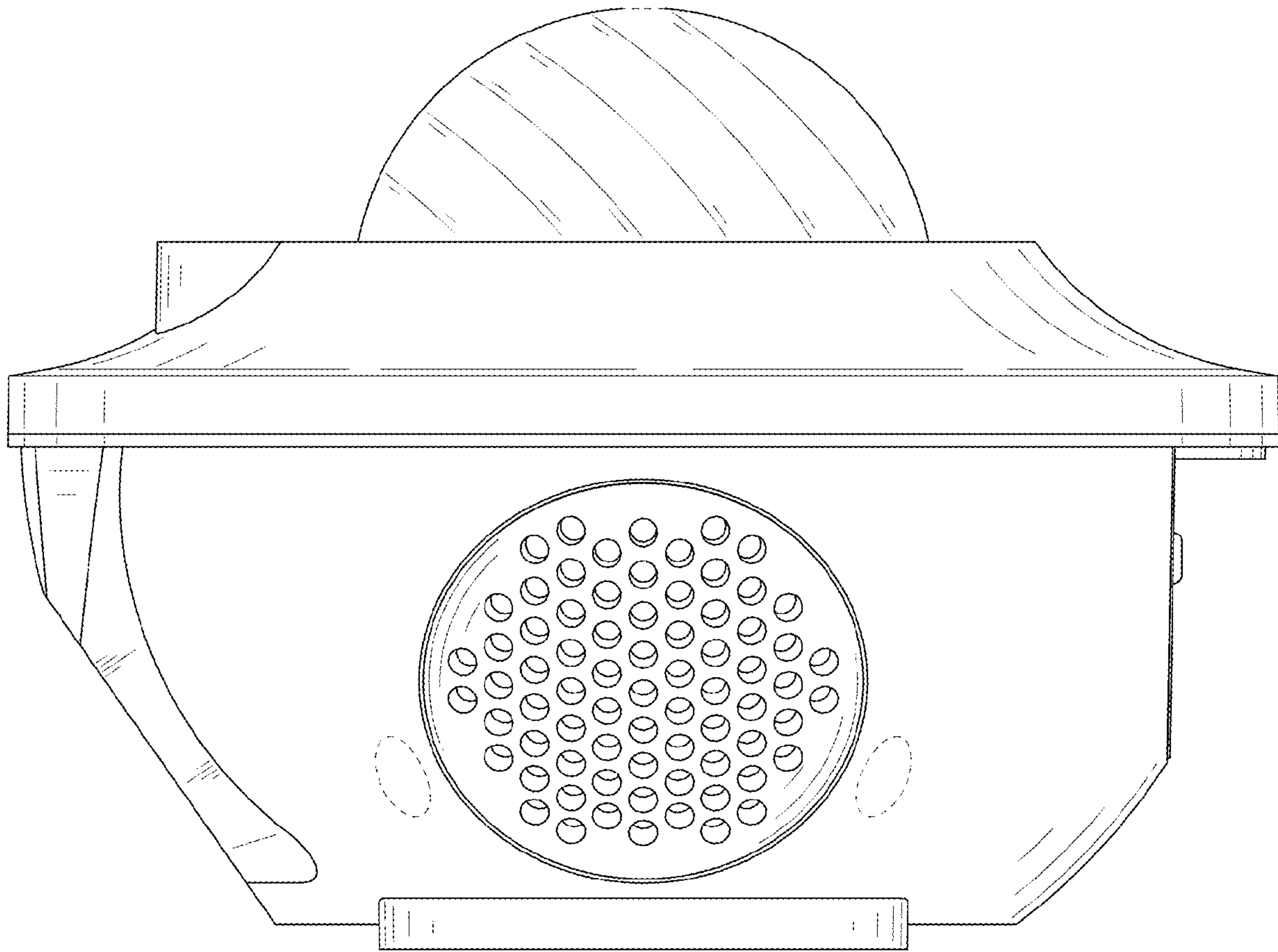


FIG. 5

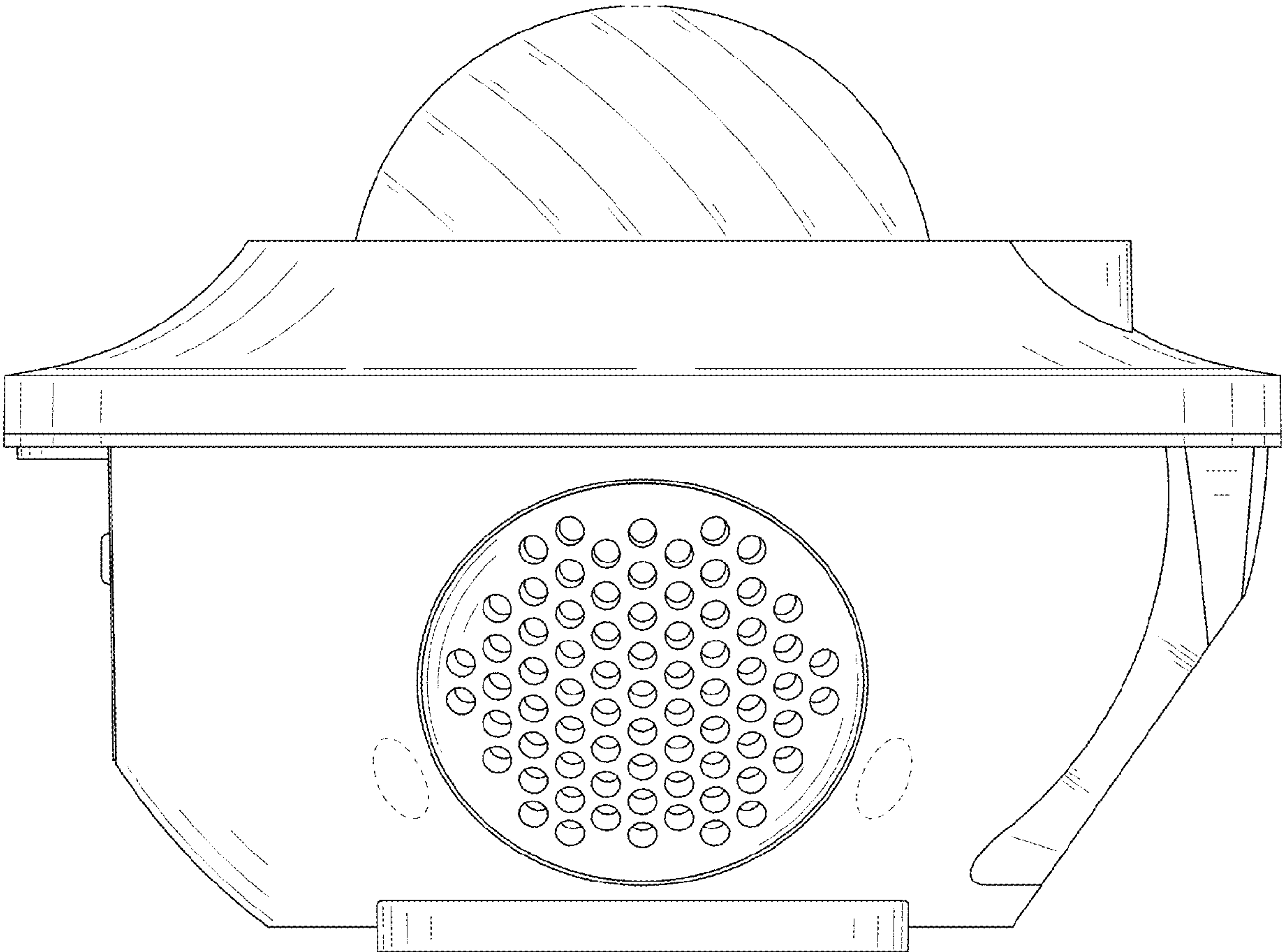


FIG. 6



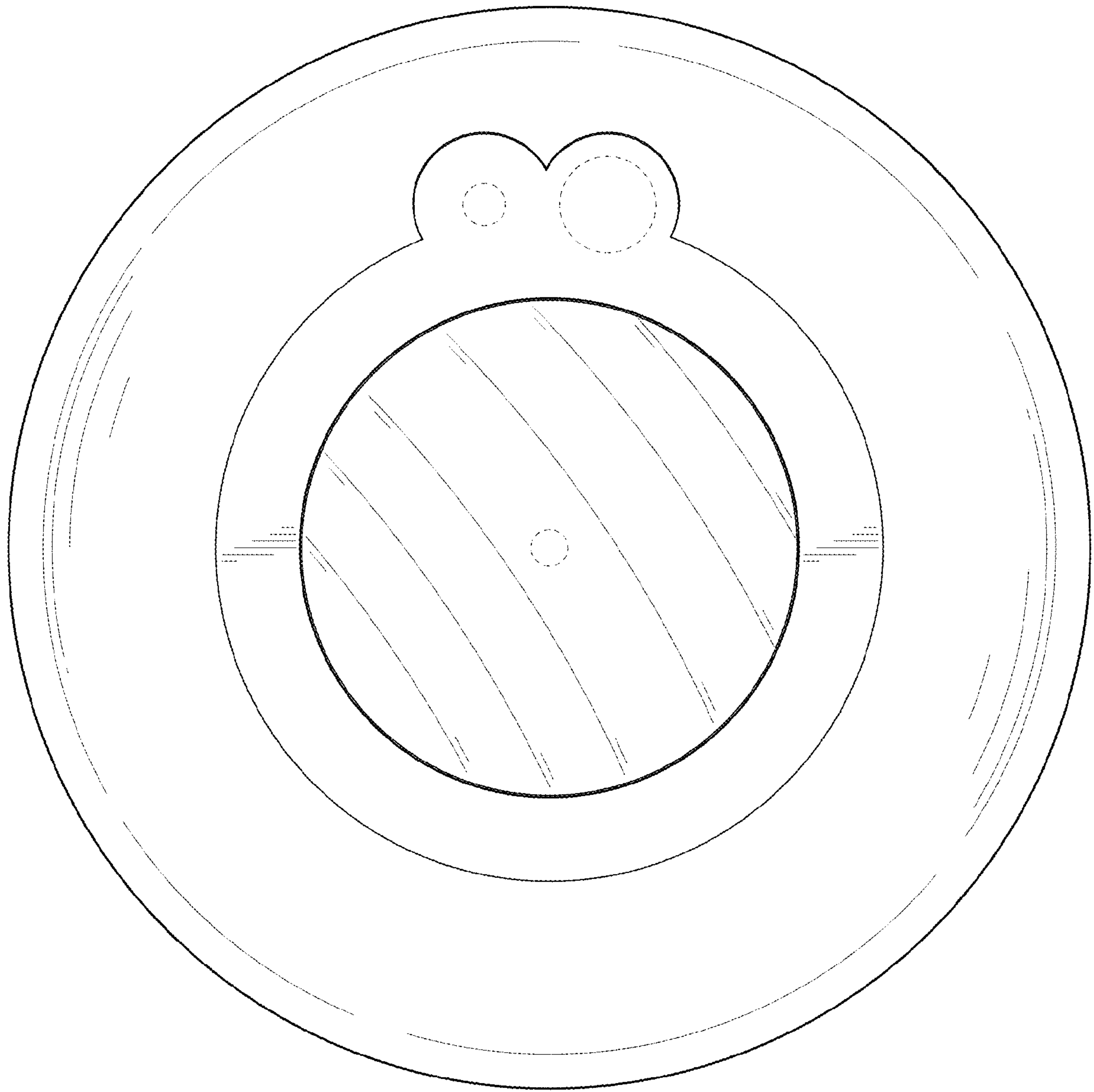


FIG. 7

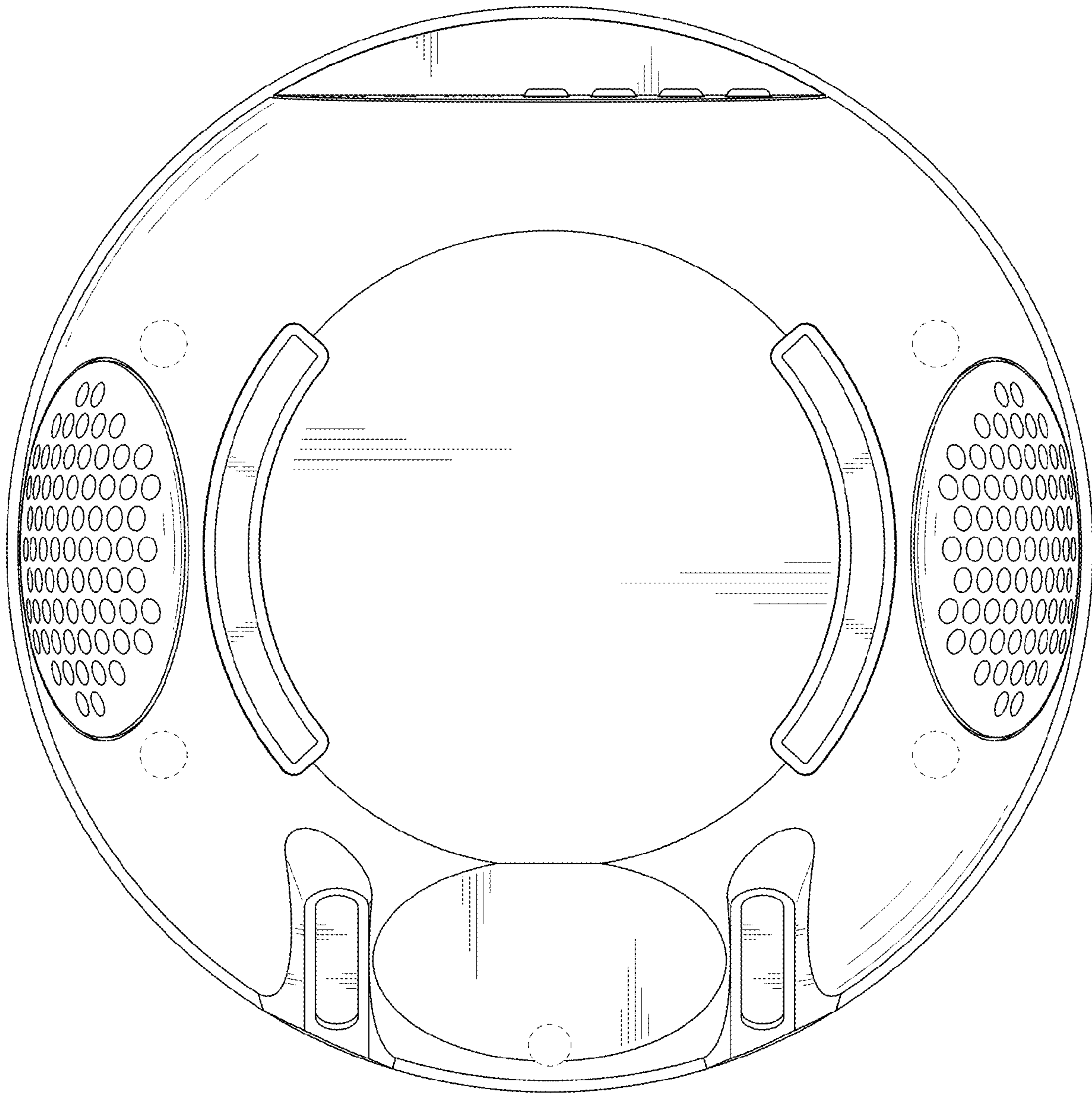


FIG. 8