



US00D948774S

(12) **United States Design Patent**
Shen

(10) **Patent No.:** **US D948,774 S**

(45) **Date of Patent:** **** Apr. 12, 2022**

(54) **SENSOR LIGHT**

(71) Applicant: **Xiaolong Shen**, Suizhou (CN)

(72) Inventor: **Xiaolong Shen**, Suizhou (CN)

(**) Term: **15 Years**

(21) Appl. No.: **29/773,872**

(22) Filed: **Mar. 12, 2021**

(51) **LOC (13) Cl.** **26-03**

(52) **U.S. Cl.**
USPC **D26/89**

(58) **Field of Classification Search**
USPC D26/24, 72, 80, 84, 85, 89, 118;
D10/106.6, 106.8

See application file for complete search history.

(56) **References Cited**

U.S. PATENT DOCUMENTS

D431,307 S *	9/2000	Zelina, Jr.	D26/24
D567,987 S *	4/2008	Khubani	D26/85
D840,582 S *	2/2019	Liu	D26/104
D841,222 S *	2/2019	Johnson	D26/80
D866,815 S	11/2019	Wang	
D866,816 S	11/2019	Wang	
D867,626 S *	11/2019	Song	D26/24
D891,675 S *	7/2020	Liu	D26/85
D904,667 S *	12/2020	Johnson	D26/89
D936,272 S *	11/2021	Johnson	D26/89
2009/0097238 A1 *	4/2009	Cousaine	F21S 9/02 362/191
2011/0128723 A1 *	6/2011	Coleman	F21V 21/096 362/183

OTHER PUBLICATIONS

Wobane Rechargeable Motion Sensor Light, ASIN: B07DGVRTSQ. Available from amazon.com Jun. 21, 2018. (Year: 2018).*

ICEKO-KN Under Cabinet Light, ASIN: B08SL77DHX. Available from amazon.com Jan. 10, 2021. (Year: 2021).*

Momo Lifestyle Luzinha LED Automatic Motion Activated Night Light, ASIN: B08LRN1LPJ. Available from amazon.com Apr. 15, 2021. (Year: 2021).*

* cited by examiner

Primary Examiner — Clare E Heflin

(57) **CLAIM**

The ornamental design for a sensor light, as shown and described.

DESCRIPTION

FIG. 1 is a perspective view of a sensor light showing my new design;

FIG. 2 is another perspective view thereof;

FIG. 3 is a front elevational view thereof;

FIG. 4 is a rear elevational view thereof;

FIG. 5 is a left side elevational view thereof;

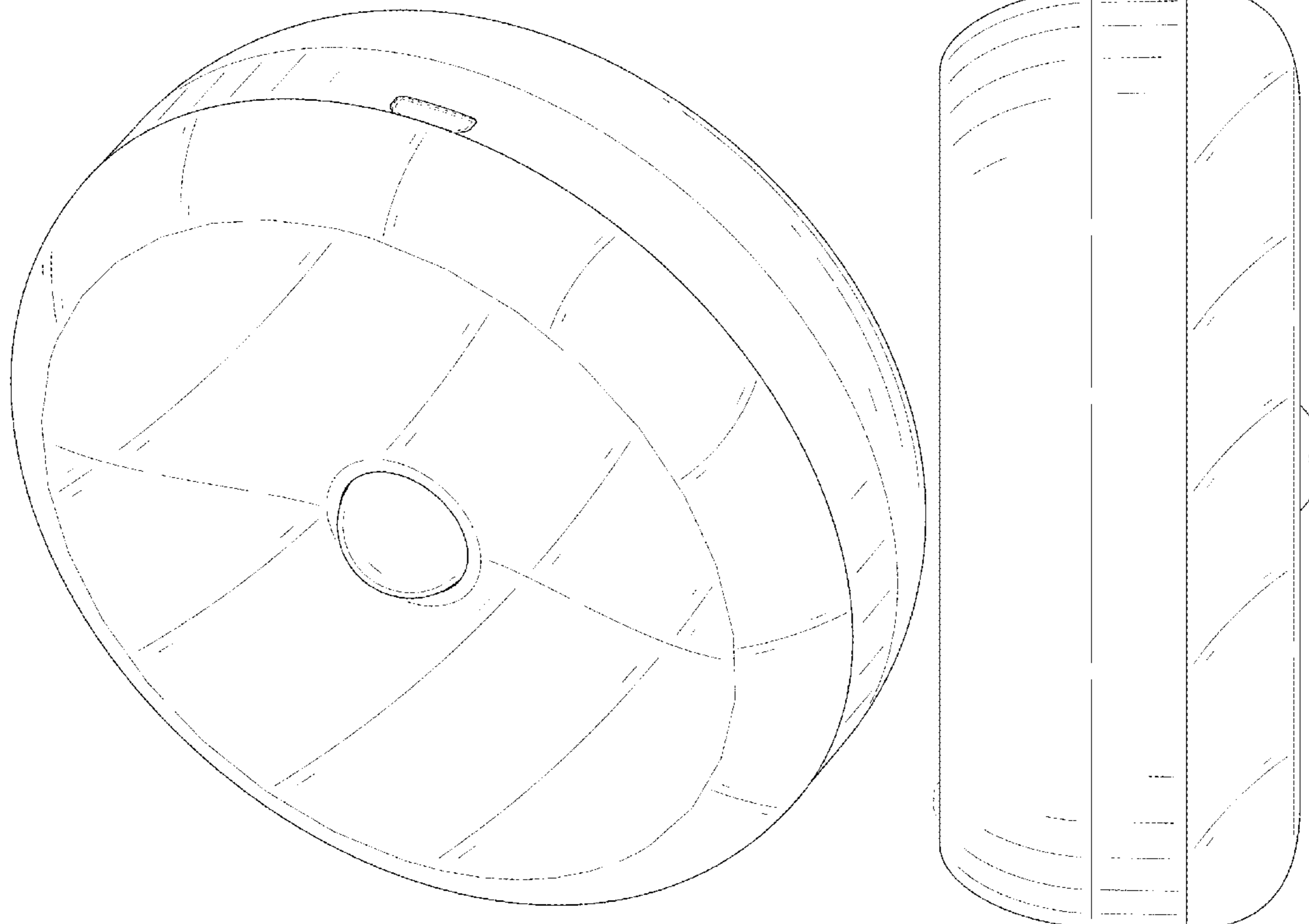
FIG. 6 is a right side elevational view thereof;

FIG. 7 is a top plan view thereof; and,

FIG. 8 is a bottom plan view thereof.

The broken lines in the drawings depict portions of the sensor light that form no part of the claimed design.

1 Claim, 8 Drawing Sheets



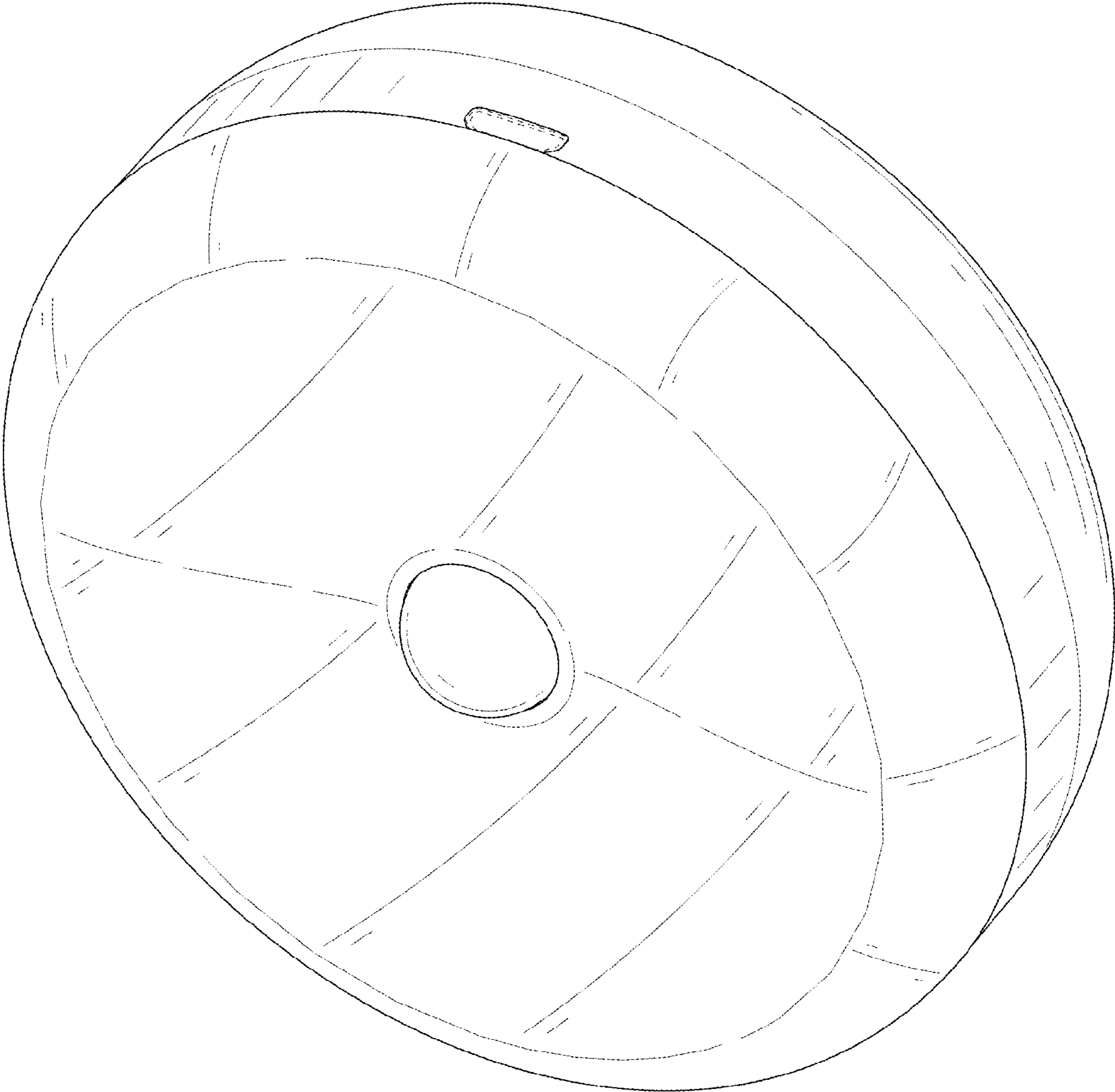


FIG. 1

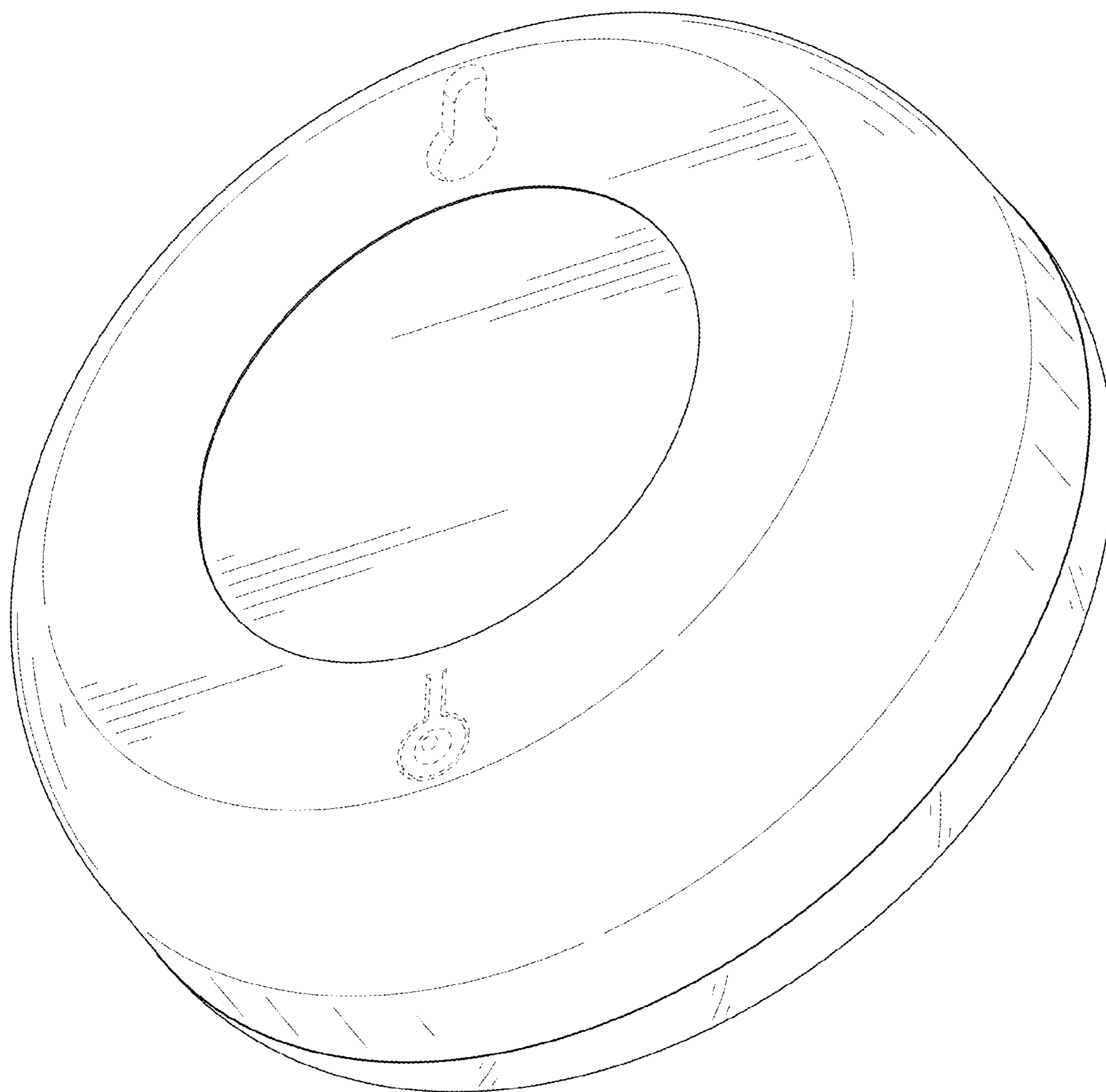


FIG. 2

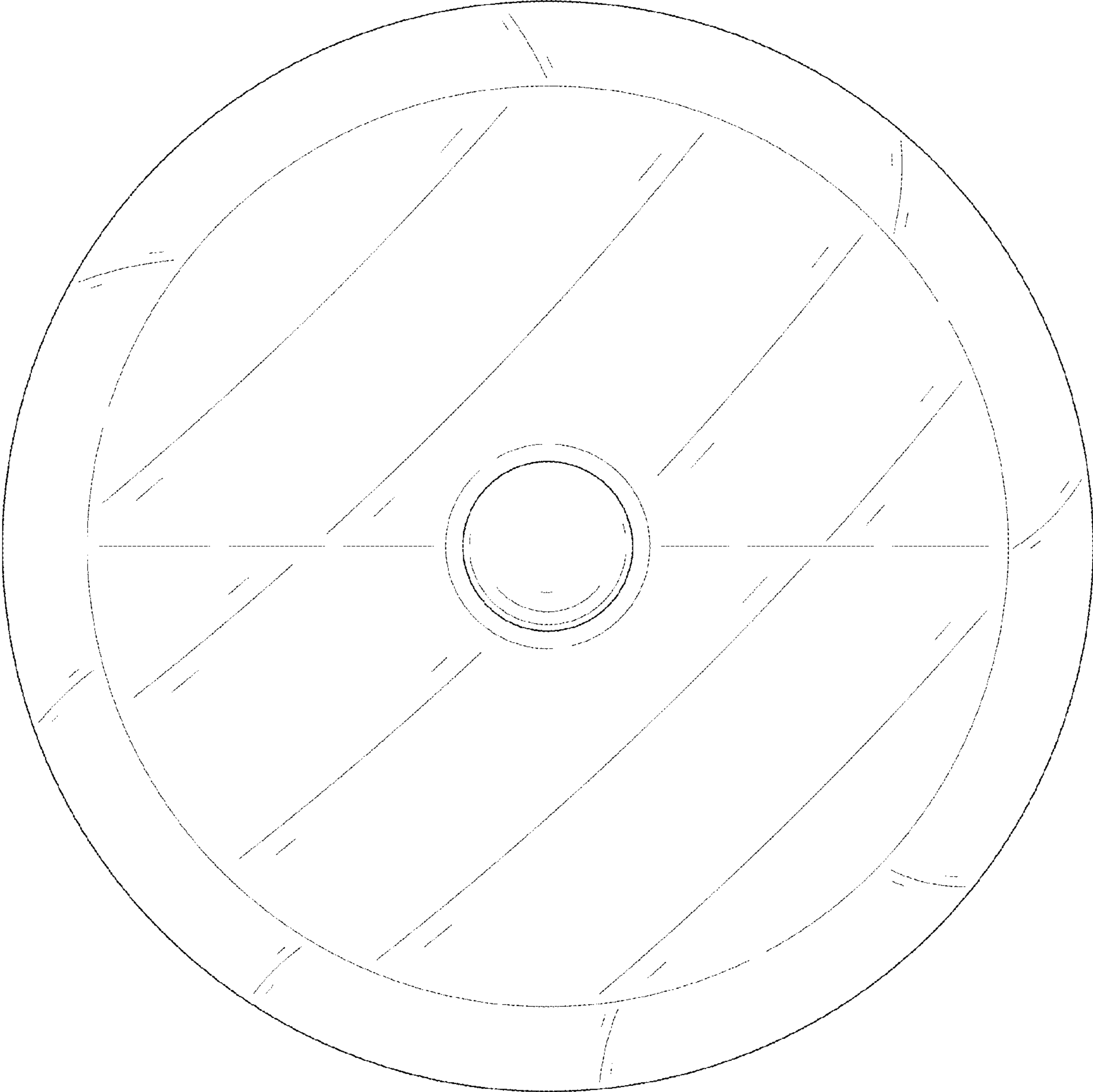


FIG. 3

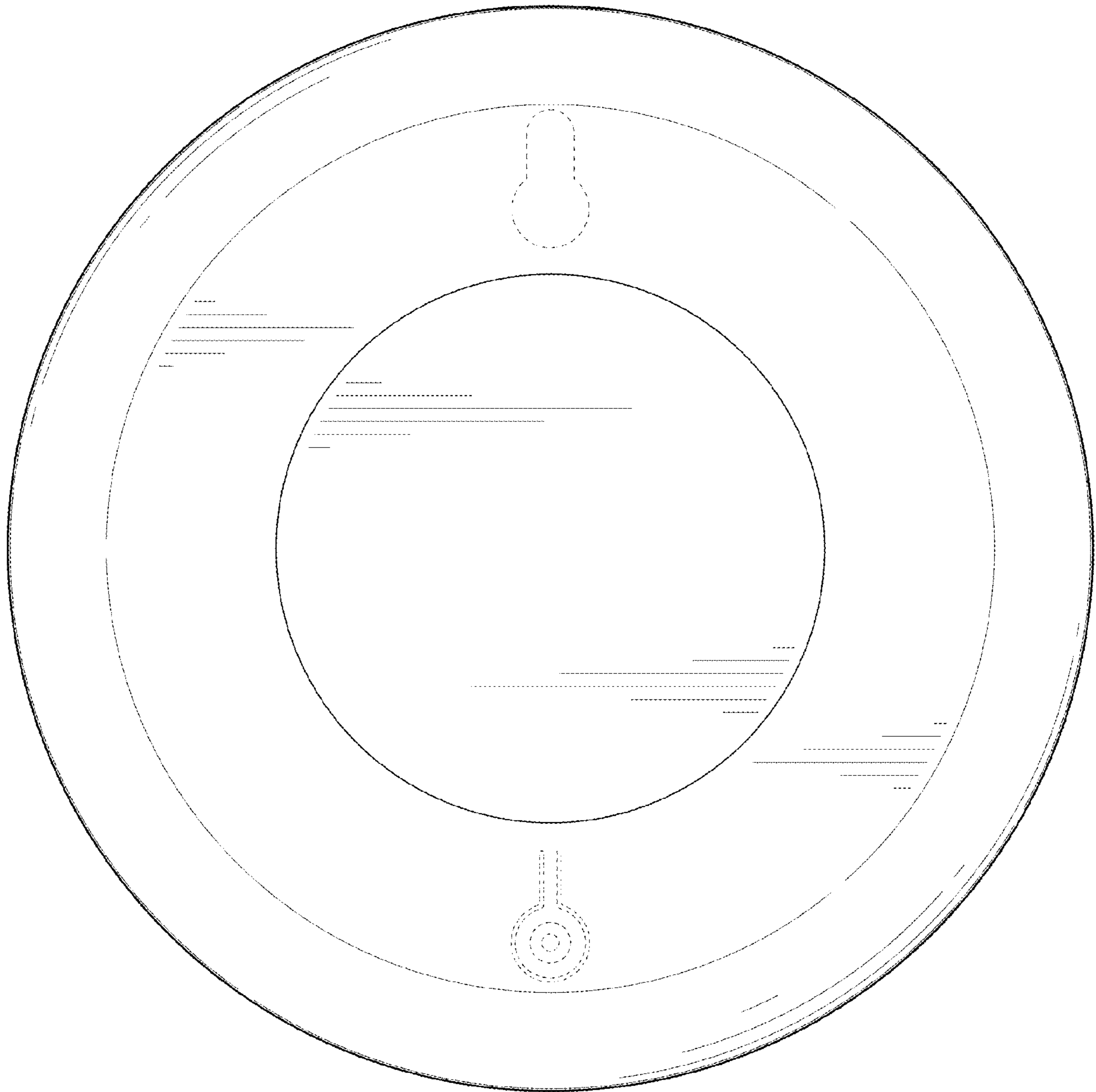


FIG. 4

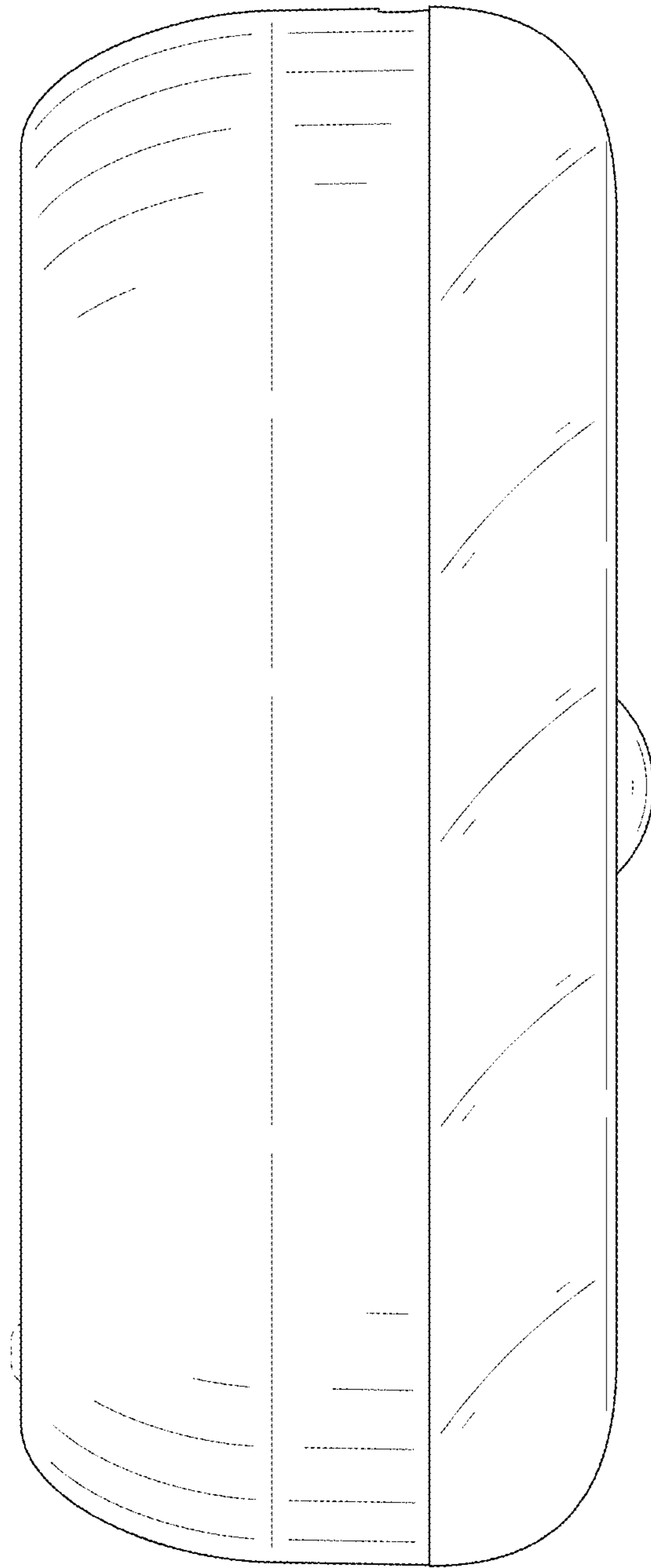


FIG. 5

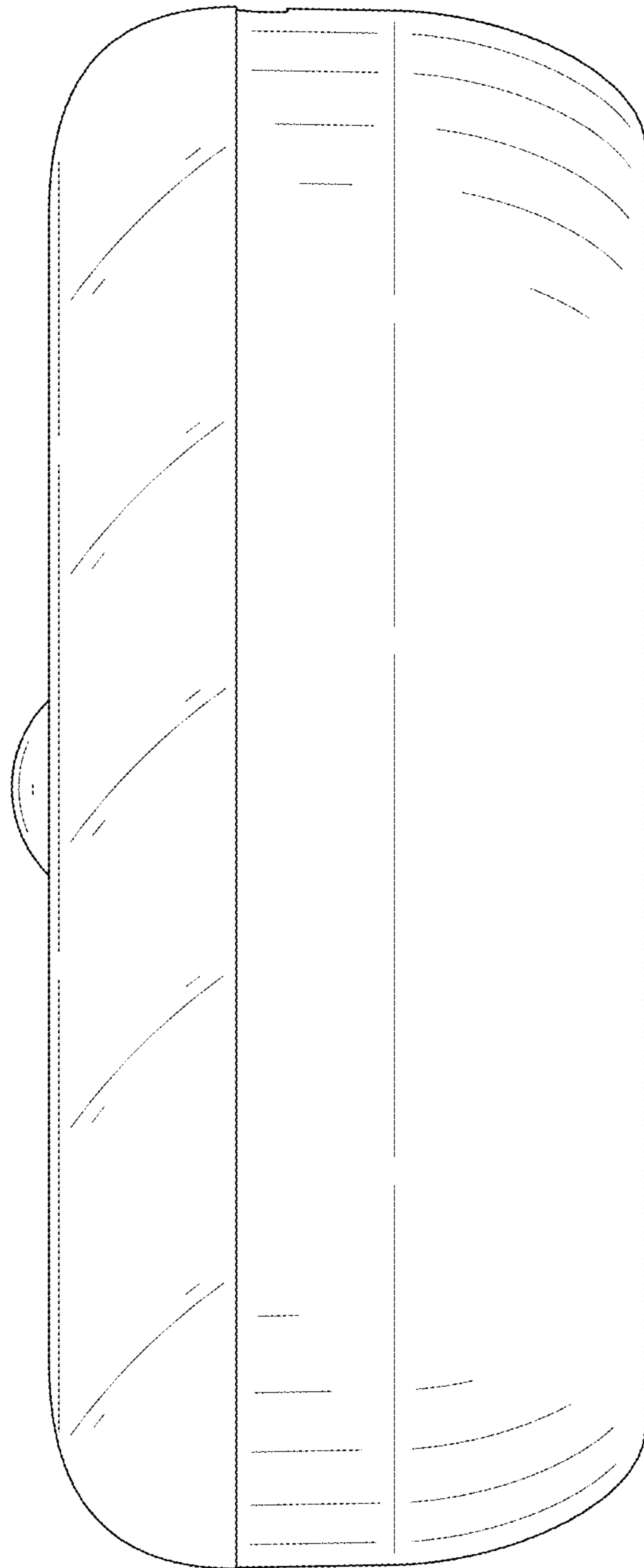


FIG. 6

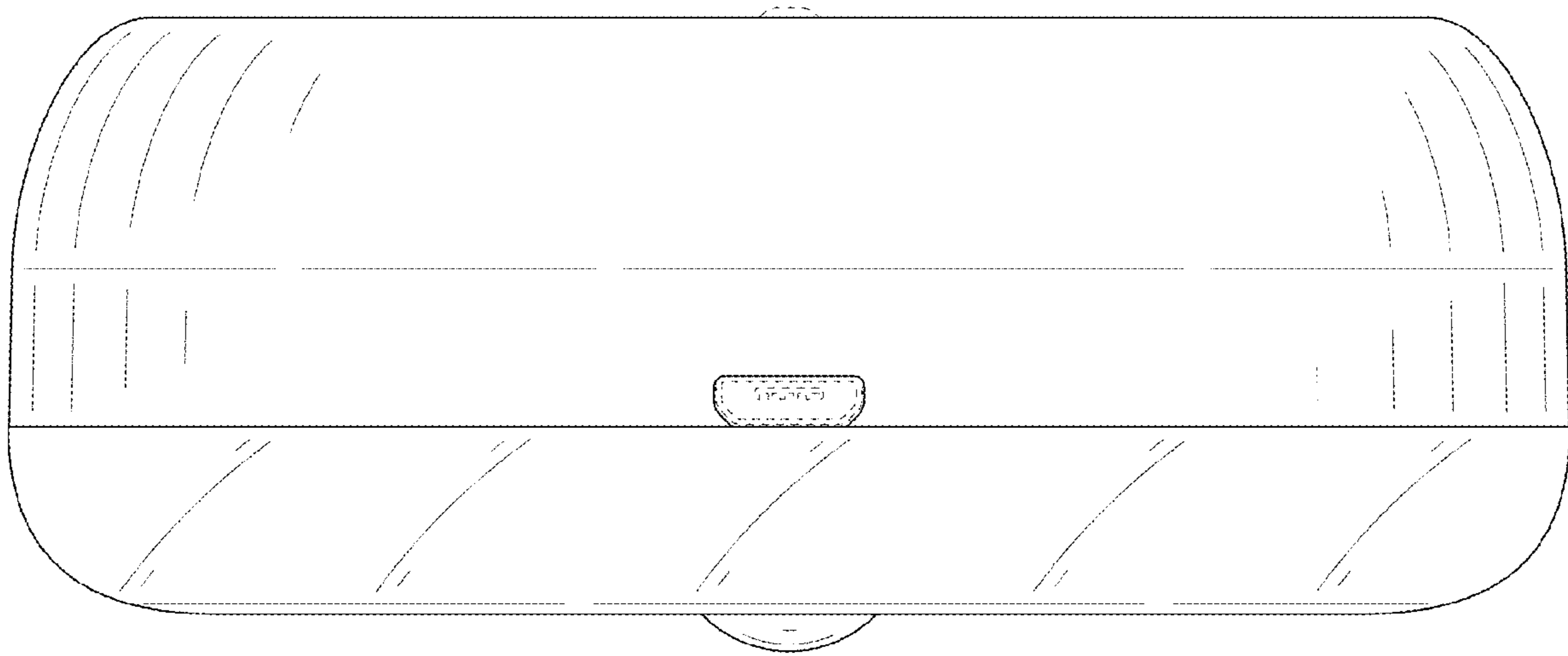


FIG. 7

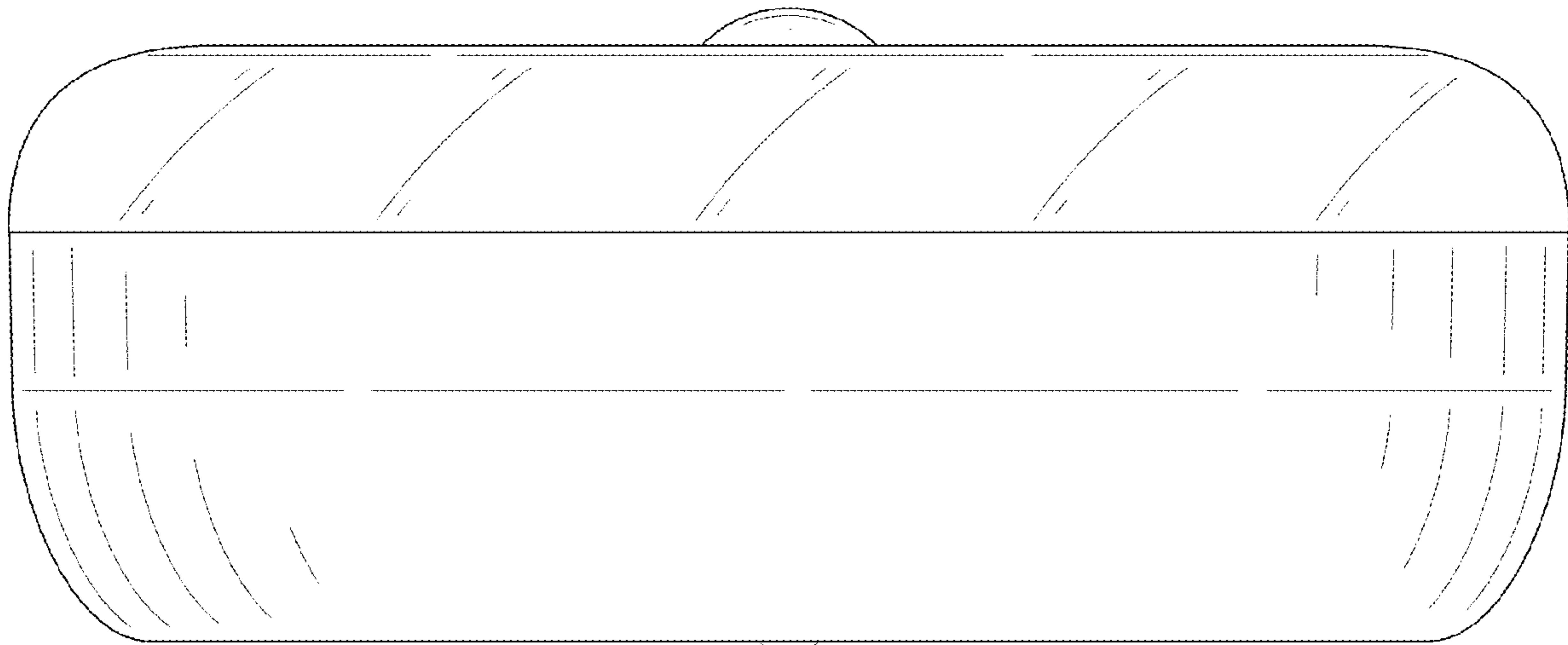


FIG. 8