



US00D948773S

(12) **United States Design Patent**  
**Lu**

(10) **Patent No.:** **US D948,773 S**  
(45) **Date of Patent:** **\*\* Apr. 12, 2022**

(54) **LED CEILING LIGHT**

(71) Applicant: **JIAXING SUPER LIGHTING  
ELECTRIC APPLIANCE CO., LTD,**  
Jiaxing (CN)

(72) Inventor: **Jian Lu,** Jiaxing (CN)

(73) Assignee: **JIAXING SUPER LIGHTING  
ELECTRIC APPLIANCE CO., LTD,**  
Zhejiang (CN)

(\*\*) Term: **15 Years**

(21) Appl. No.: **29/733,635**

(22) Filed: **May 5, 2020**

(30) **Foreign Application Priority Data**

Nov. 26, 2019 (CN) ..... 201930653748.5

(51) **LOC (13) Cl.** ..... **26-05**

(52) **U.S. Cl.**  
USPC ..... **D26/89**

(58) **Field of Classification Search**  
USPC ... D26/1, 24, 72, 74, 80, 83, 85, 86, 89, 91,  
D26/118, 120, 124, 128, 131, 135  
CPC .... F21S 8/03; F21S 8/033; F21S 8/036; F21S  
8/04; F21S 8/043; F21S 8/046; F21S  
8/06; F21S 8/061; F21S 8/063; F21S  
8/065

See application file for complete search history.

(56) **References Cited**

**U.S. PATENT DOCUMENTS**

D509,617 S \* 9/2005 Benghozi ..... D26/74  
D571,034 S \* 6/2008 Goetz-Schaefer ..... D26/85  
D583,967 S \* 12/2008 Leunis ..... D26/24  
D607,600 S \* 1/2010 Keith ..... D26/85  
D656,264 S \* 3/2012 Janssen ..... D26/85  
D694,463 S \* 11/2013 Sieczkowski ..... D26/124

D871,645 S \* 12/2019 Zhao ..... D26/74  
D888,313 S \* 6/2020 Xie ..... D26/74  
10,955,108 B2 \* 3/2021 Li ..... F21S 8/04  
11,041,613 B1 \* 6/2021 Huang ..... F21S 8/04  
D925,806 S \* 7/2021 Xia ..... D26/85

**OTHER PUBLICATIONS**

Lithonia LED Low Profile Round Light: First Available Mar. 2013. Visited Nov. 16, 2021. [https://lithonia.acuitybrands.com/products/detail/251929/lithonia-lighting/led-low-profile-round/decorative-indoor-flush---semi-flush] (Year: 2013).\*  
Dianolite CFLED-A1622 Signature LED 16 inch Flush Mount Ceiling Light: Date Available Unknown. Visited Nov. 15, 2021. [https://www.dainolite.lightingnewyork.com/product/dainolite-signature-flush-mount-cfled-a1622.html#general] (Year: 2021).\*  
Levine Shallow Flushmount 19" Wide White LED Ceiling Light: Date Available Unknown. Visited Nov. 12, 2021. [https://www.lampsplus.com/products/levine-shallow-flushmount-19-inch-wide-white-led-ceiling-light\_1c032.html] (Year: 2021).\*

(Continued)

*Primary Examiner* — Samantha Q Lawrence

*Assistant Examiner* — Melissa Adriane Santos

(74) *Attorney, Agent, or Firm* — Andrew M. Calderon;  
Roberts Calderon Safran & Cole, P.C.

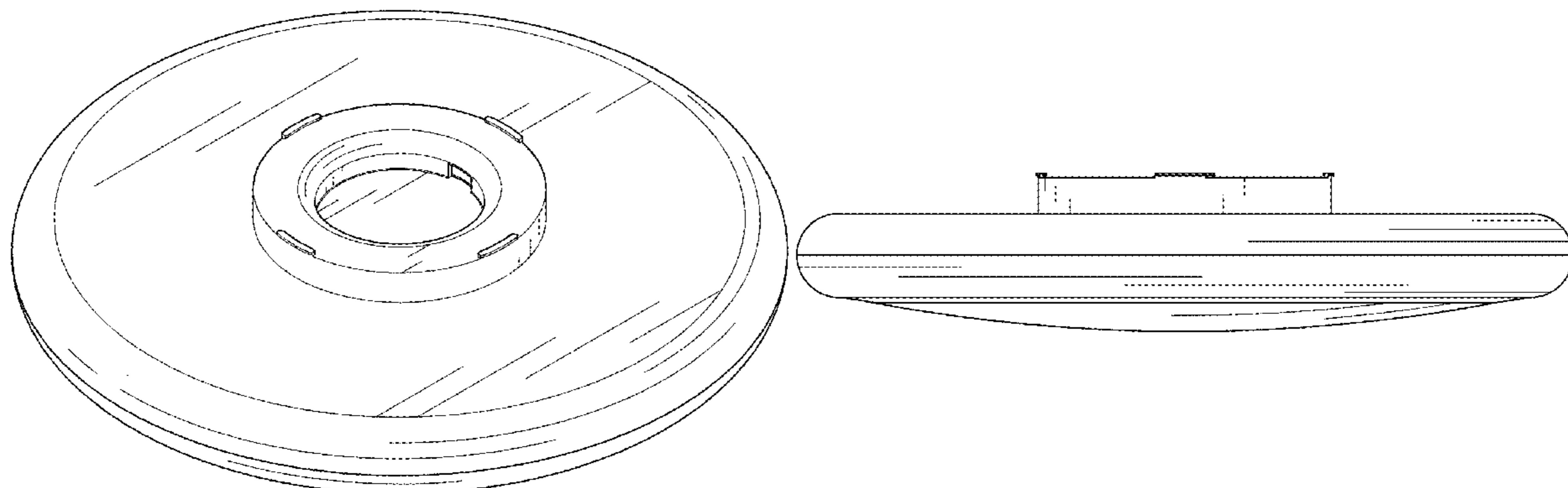
(57) **CLAIM**

The ornamental design for an LED ceiling light, as shown and described.

**DESCRIPTION**

FIG. 1 is a perspective view of an LED ceiling light showing my new design;  
FIG. 2 is a front elevational view of FIG. 1;  
FIG. 3 is a rear elevational view of FIG. 1;  
FIG. 4 is a left side elevational view of FIG. 1;  
FIG. 5 is a right side elevational view of FIG. 1;  
FIG. 6 is a top elevational view of FIG. 1; and,  
FIG. 7 is a bottom elevational view of FIG. 1.

**1 Claim, 5 Drawing Sheets**



(56)

**References Cited**

OTHER PUBLICATIONS

LED 3 to 6 Inch Surface Dome Light: LED Lighting Wholesale Inc.  
Date Available Unknown. Visited Nov. 12, 2021. [<https://www.ledlightingwholesaleinc.com/BRK-LED36-DL-14W-27K-ECO-p/brk-led36-dl-14w-27k-eco.htm>] (Year: 2021).\*

\* cited by examiner

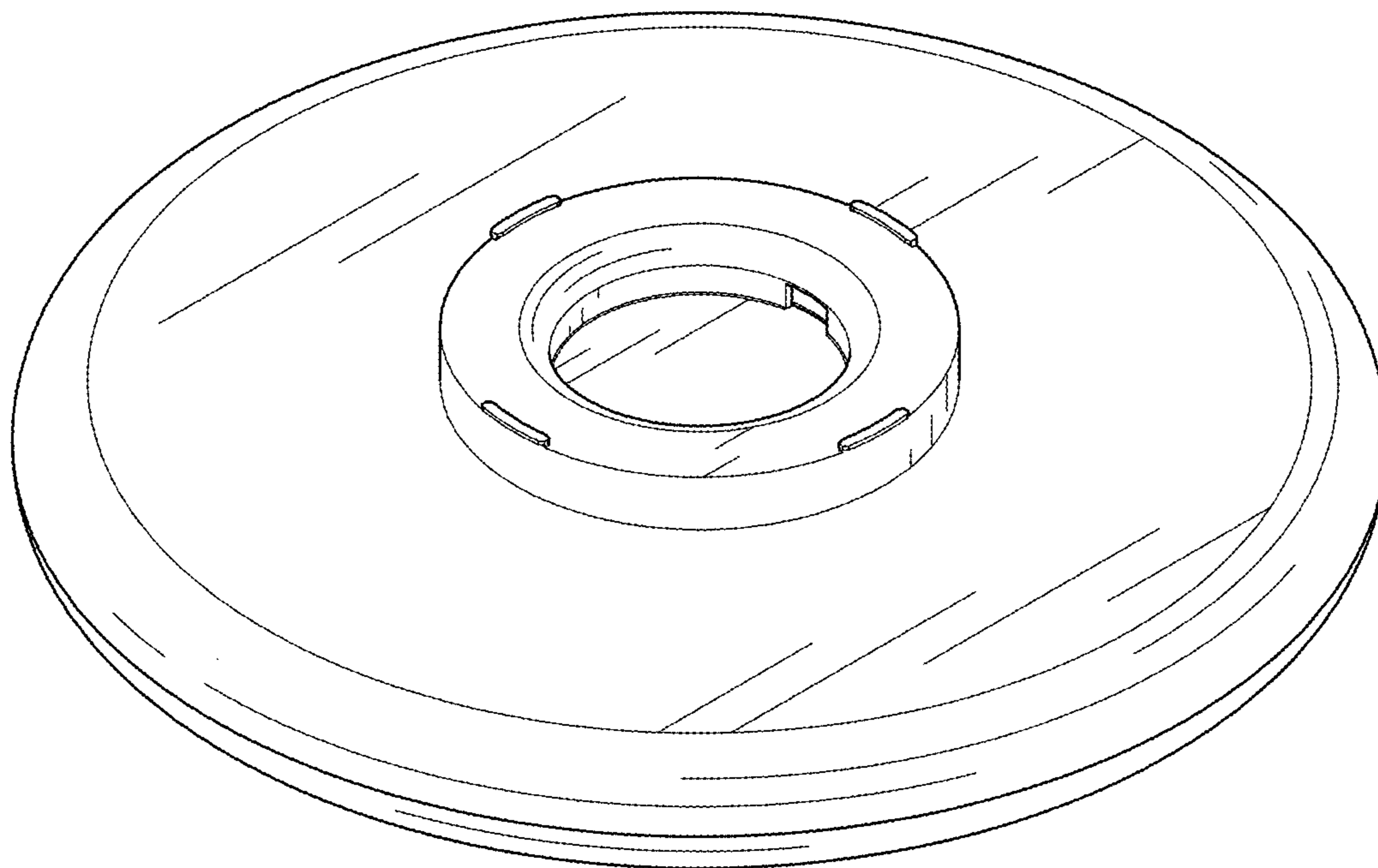


FIG. 1

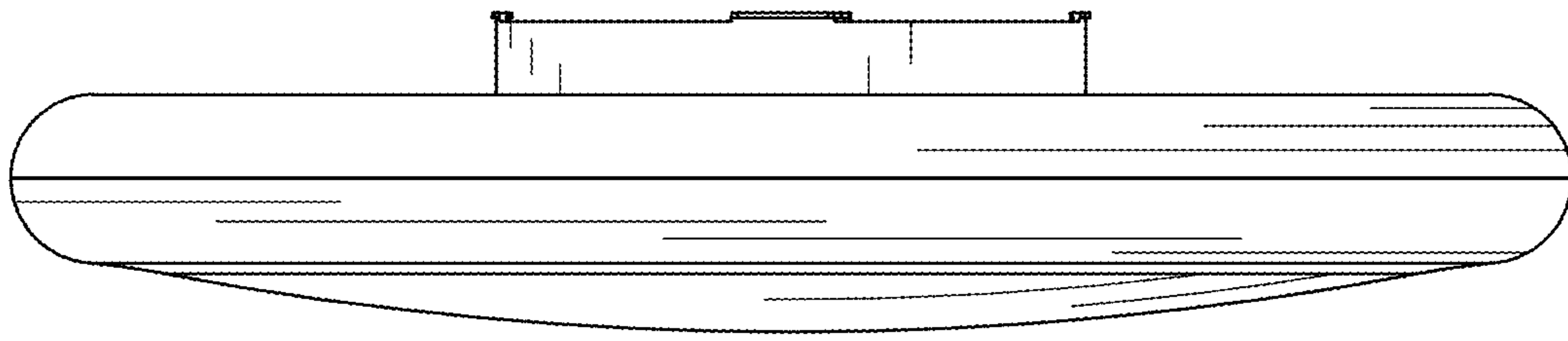


FIG. 2

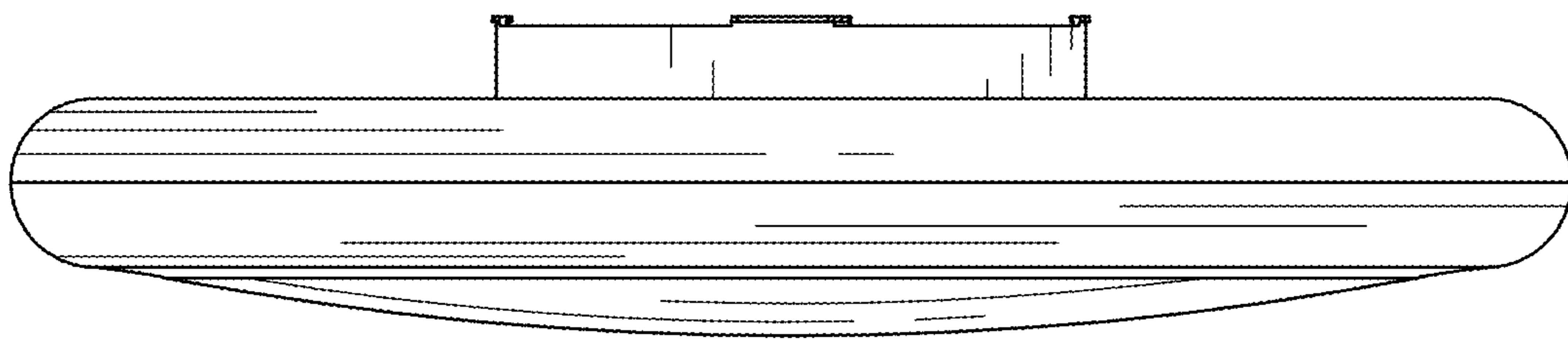


FIG. 3

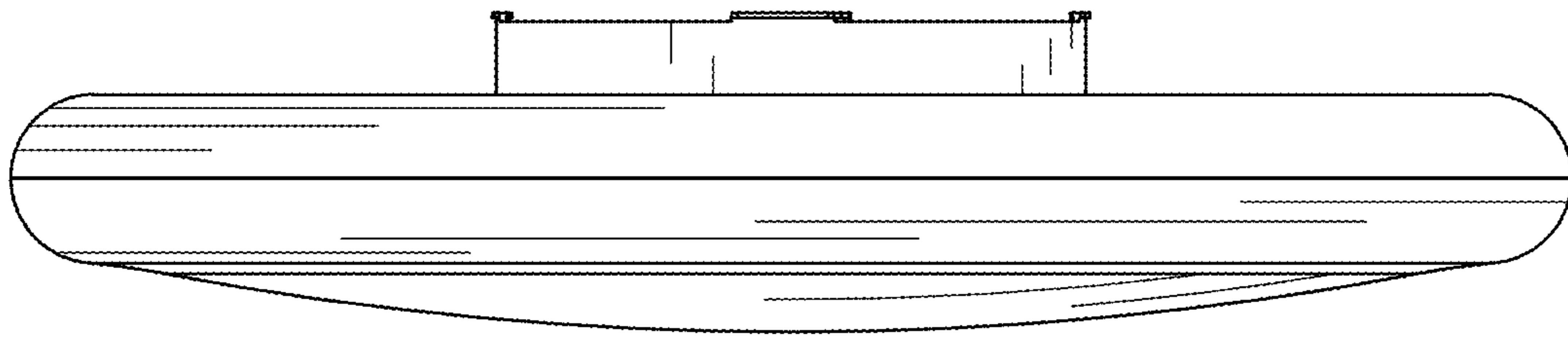


FIG. 4

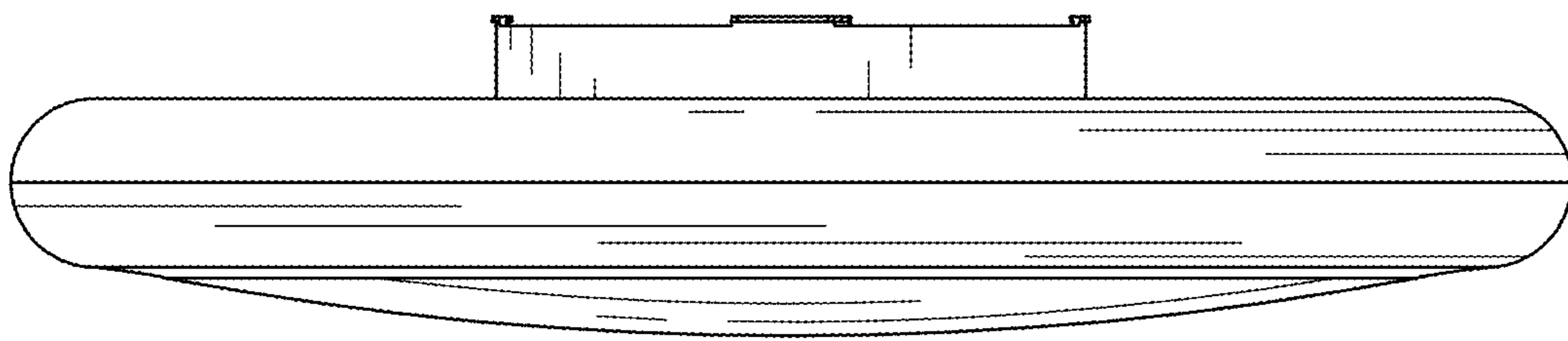


FIG. 5

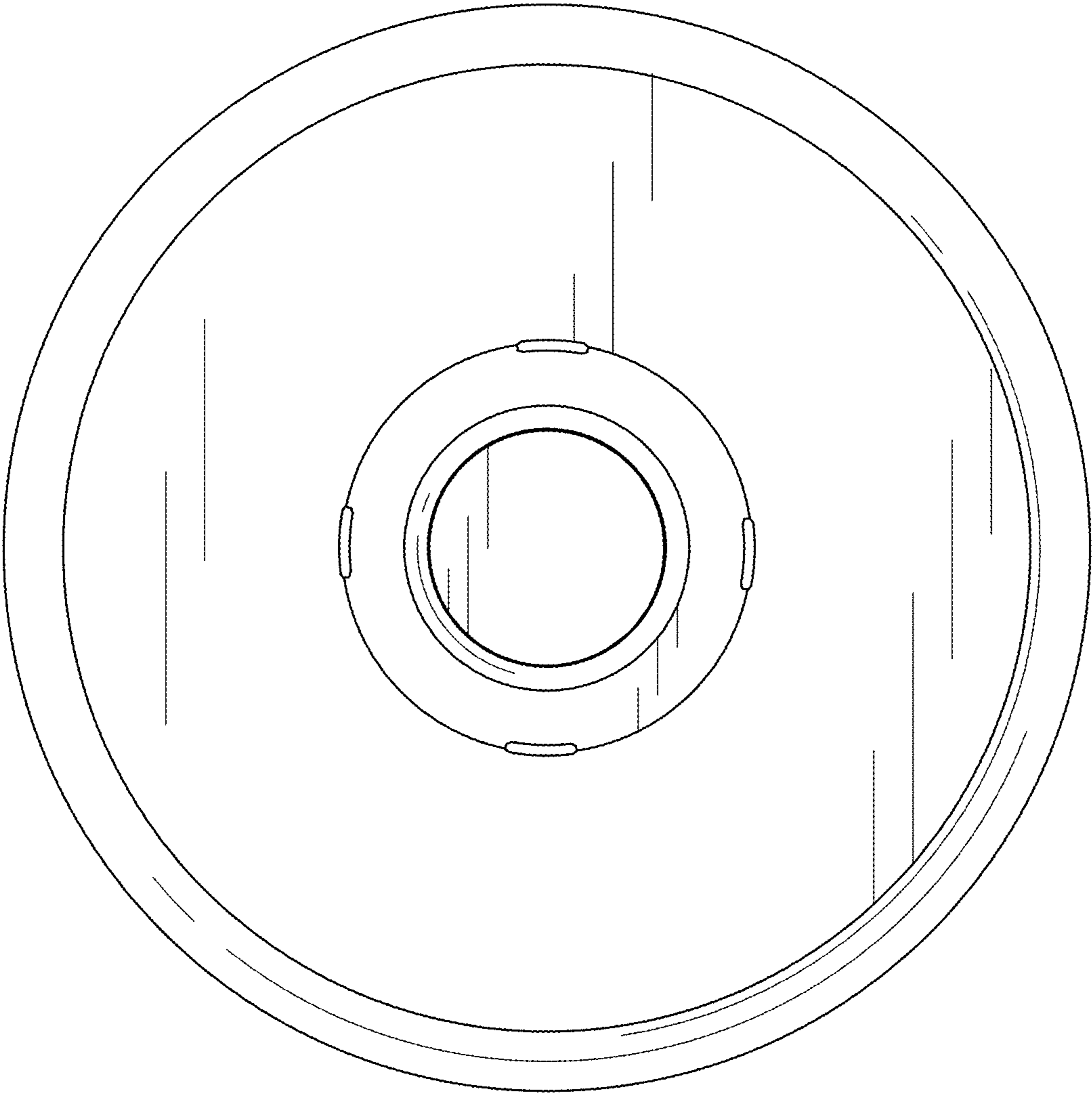


FIG. 6

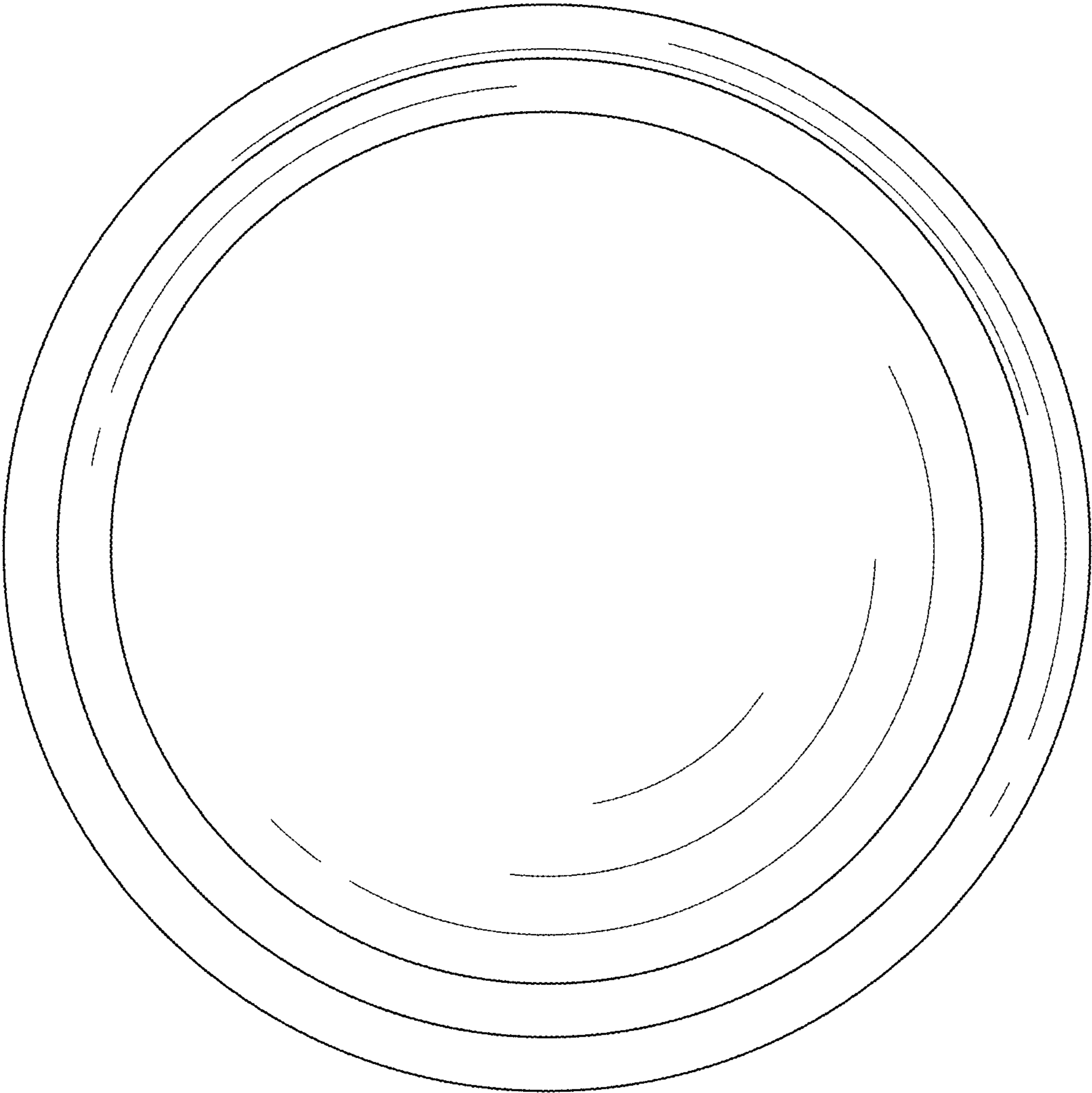


FIG. 7