



US00D948772S

(12) **United States Design Patent**
Jordan

(10) **Patent No.:** **US D948,772 S**
(45) **Date of Patent:** **** Apr. 12, 2022**

- (54) **LIGHTING FIXTURE**
 - (71) Applicant: **Boyd Lighting Fixture Company**,
Sausalito, CA (US)
 - (72) Inventor: **Deirdre C. Jordan**, Evanston, IL (US)
 - (73) Assignee: **BOYD LIGHTING FIXTURE**
COMPANY, Sausalito, CA (US)
 - (**) Term: **15 Years**
 - (21) Appl. No.: **29/749,204**
 - (22) Filed: **Sep. 3, 2020**
 - (51) **LOC (13) Cl.** **26-03**
 - (52) **U.S. Cl.**
USPC **D26/85; D26/90**
 - (58) **Field of Classification Search**
USPC **D26/72, 80, 85, 87, 67, 90**
CPC **F21S 8/03; F21S 8/033; F21S 8/032; F21S**
8/024; F21S 8/022; F21S 9/037; F21W
2111/027; F21W 2121/004; F21W
2131/107
- See application file for complete search history.

(56) **References Cited**

U.S. PATENT DOCUMENTS

D394,726 S	5/1998	Crosby	
D402,074 S	12/1998	Crosby	
D403,796 S	1/1999	Crosby	
D441,119 S	4/2001	Crosby	
D454,971 S	3/2002	Crosby	
D455,223 S	4/2002	Crosby	
D456,550 S	4/2002	Clodagh	
D456,932 S	5/2002	Crosby	
D459,525 S	6/2002	Barry	
D468,474 S *	1/2003	Poulton	D26/90
D532,146 S	11/2006	Crosby	

(Continued)

OTHER PUBLICATIONS

George Kovacs Floating Oval LED Wall Sconce, UPC Code:
844349020271, Spec Sheet dated Dec. 31, 2015. (Year: 2015).*

(Continued)

Primary Examiner — Clare E Heflin
(74) *Attorney, Agent, or Firm* — Heslin Rothenberg
Farley & Mesiti P.C.

(57) **CLAIM**

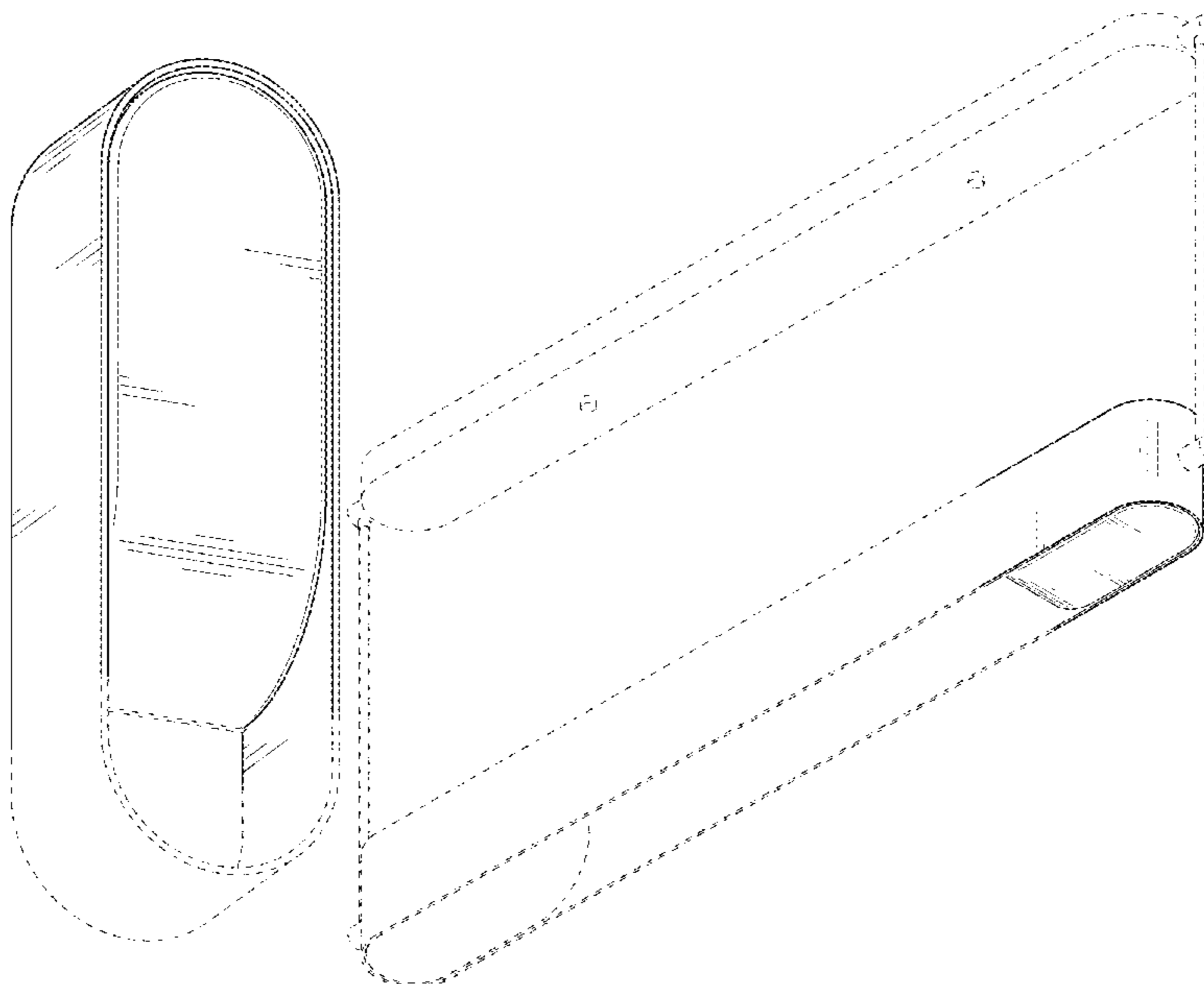
The ornamental design for a lighting fixture, as shown and described.

DESCRIPTION

FIG. 1 is a left perspective view of a lighting fixture according to the new design;
 FIG. 2 is a right perspective view thereof;
 FIG. 3 is a front elevational view thereof;
 FIG. 4 is a left side elevational view thereof;
 FIG. 5 is a right side elevational view thereof;
 FIG. 6 is a top view thereof;
 FIG. 7 is a bottom view thereof;
 FIG. 8 is another left perspective view of the lighting fixture;
 FIG. 9 is a right perspective view thereof;
 FIG. 10 is a front elevational view thereof;
 FIG. 11 is a left side elevational view thereof;
 FIG. 12 is a right side elevational view thereof;
 FIG. 13 is a top view thereof;
 FIG. 14 is a bottom view thereof;
 FIG. 15 is a front perspective view of the lighting fixture;
 FIG. 16 is a rear perspective view thereof;
 FIG. 17 is a front elevational view thereof;
 FIG. 18 is a left side elevational view thereof;
 FIG. 19 is a right side elevational view thereof;
 FIG. 20 is a rear view thereof; and,
 FIG. 21 is a bottom view thereof.

The broken lines in the figures illustrate portions of the lighting fixture, which forms no part of the claimed design.

1 Claim, 18 Drawing Sheets



(56)

References Cited

U.S. PATENT DOCUMENTS

D532,147 S 11/2006 Crosby
D536,468 S 2/2007 Crosby
D536,820 S 2/2007 Crosby
D558,912 S 1/2008 Crosby
D578,240 S * 10/2008 Montalbano D26/85
D580,585 S 11/2008 Otero
D584,849 S 1/2009 Otero
D632,003 S 2/2011 Jordan
D646,424 S 10/2011 Ho
D646,425 S 10/2011 Crosby
D646,426 S 10/2011 Wolk
D664,282 S * 7/2012 Santoro D26/90
D674,952 S 1/2013 Crosby
D691,318 S * 10/2013 Wilcox D26/85
D712,083 S 8/2014 Crosby
D742,054 S * 10/2015 Fisher D26/85
D757,982 S * 5/2016 Breedlove, Sr. D26/85
D826,456 S * 8/2018 Sonneman D26/85

D831,258 S * 10/2018 Wiedemer D26/85
D840,083 S 2/2019 Crosby
D840,084 S 2/2019 Crosby
D840,576 S 2/2019 Gaynor
D841,216 S 2/2019 Gaynor
10,344,957 B2 7/2019 Crosby
D855,859 S 8/2019 Crosby
D870,356 S * 12/2019 Meise D26/90
D884,958 S 5/2020 Crosby
D891,674 S * 7/2020 Amato D26/85
2021/0332959 A1 * 10/2021 Li F21V 17/16

OTHER PUBLICATIONS

Costaluz 3091 Series Outdoor Wall Sconce By Besa Lighting, Product ID: BSLY10699, available from ylighting.com as early as Feb. 16, 2019. (Year: 2019).*
Louis Bronze Oval Wall Sconce SKU: 541229, available from crateandbarrel.com as early a Feb. 16, 2020. (Year: 2020).*

* cited by examiner

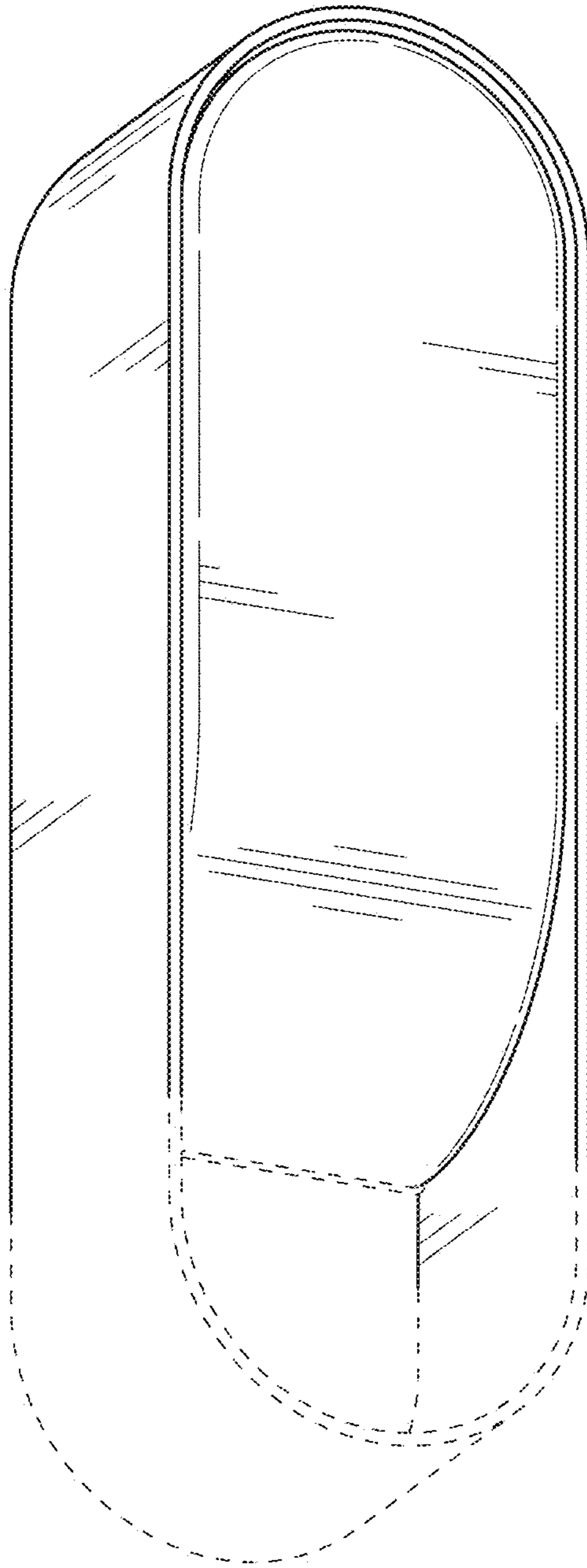


FIG. 1

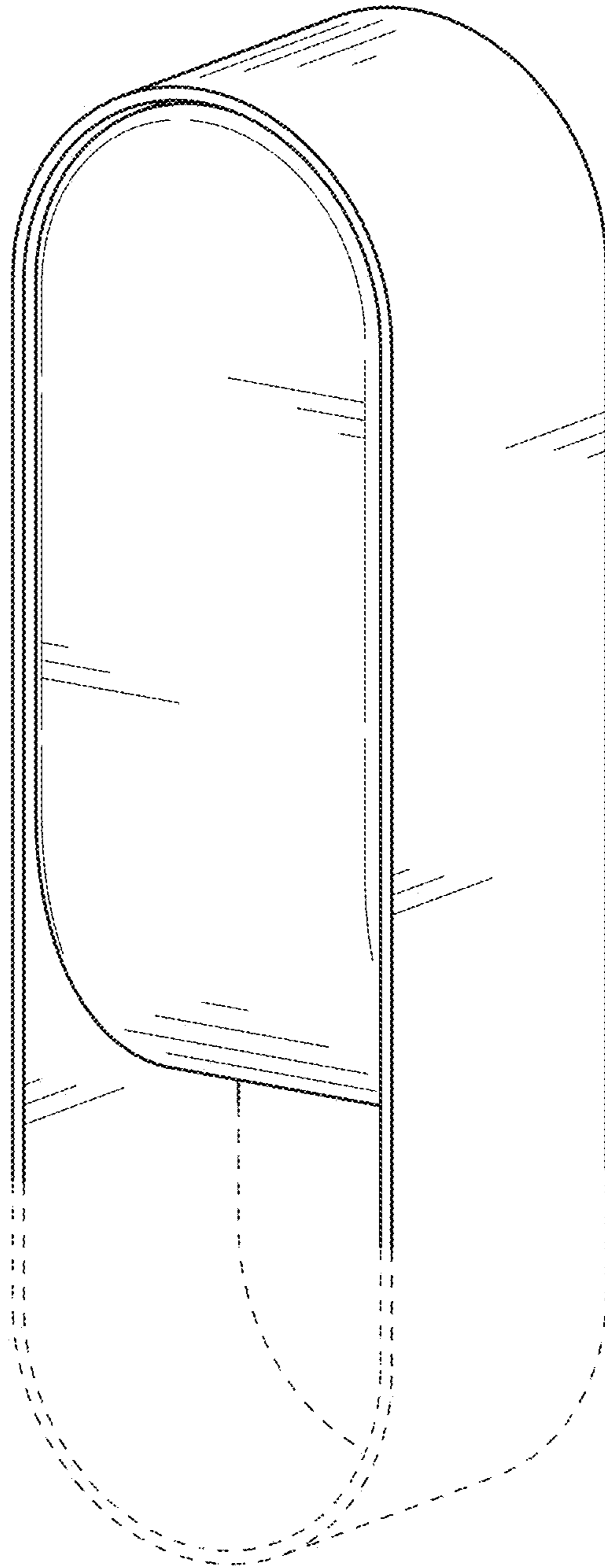


FIG. 2

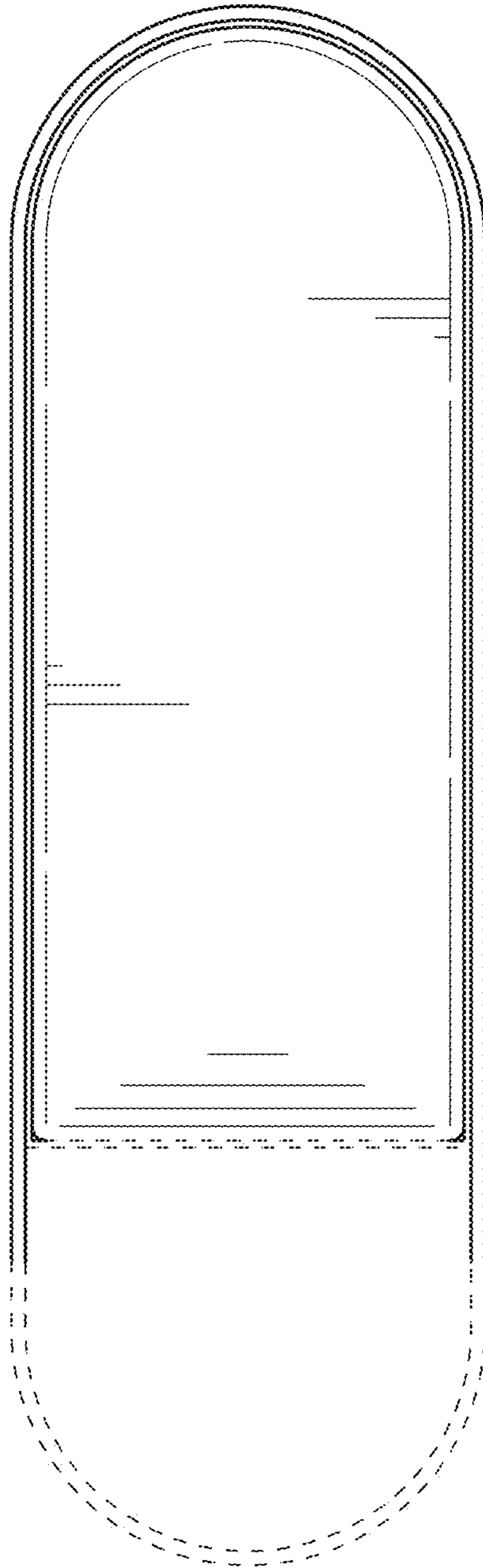


FIG. 3

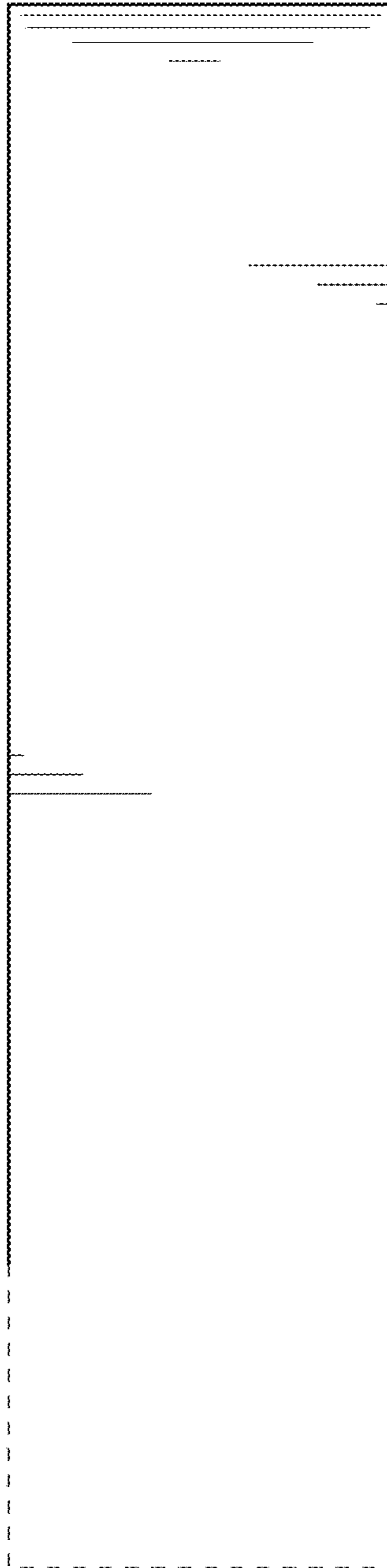


FIG. 4

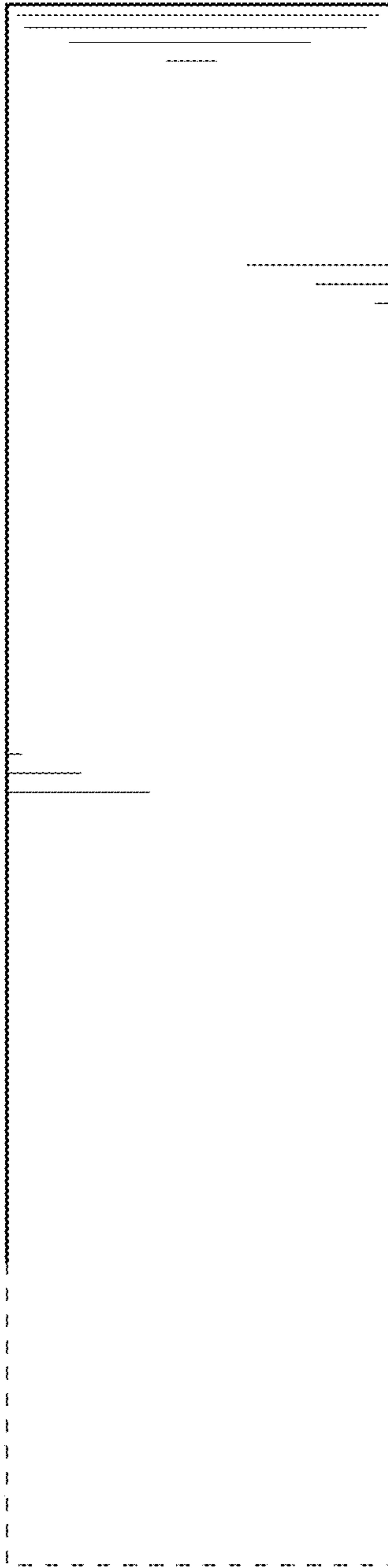


FIG. 5



FIG. 6



FIG. 7

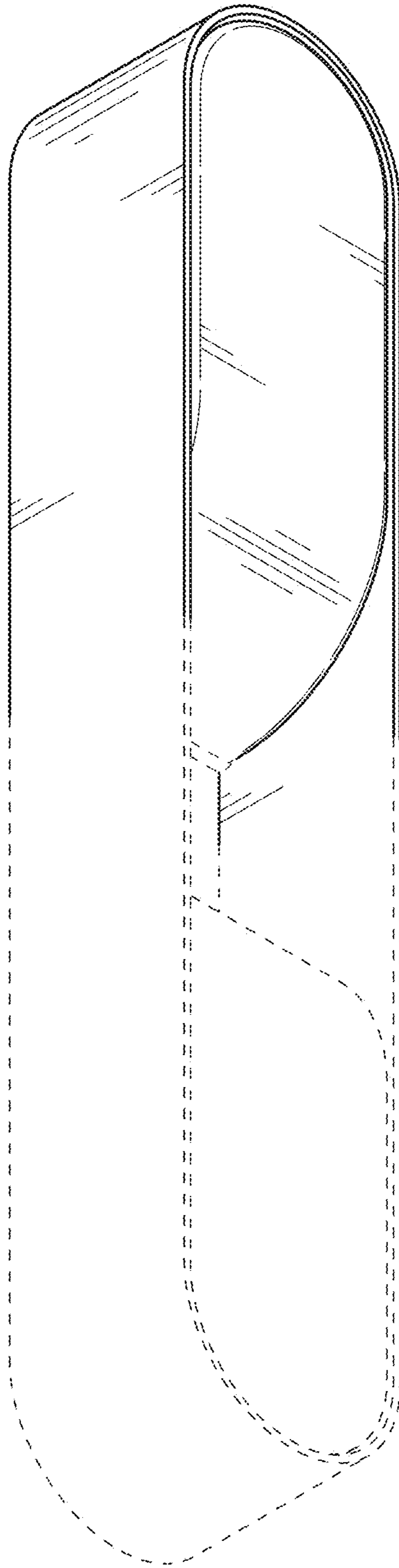


FIG. 8

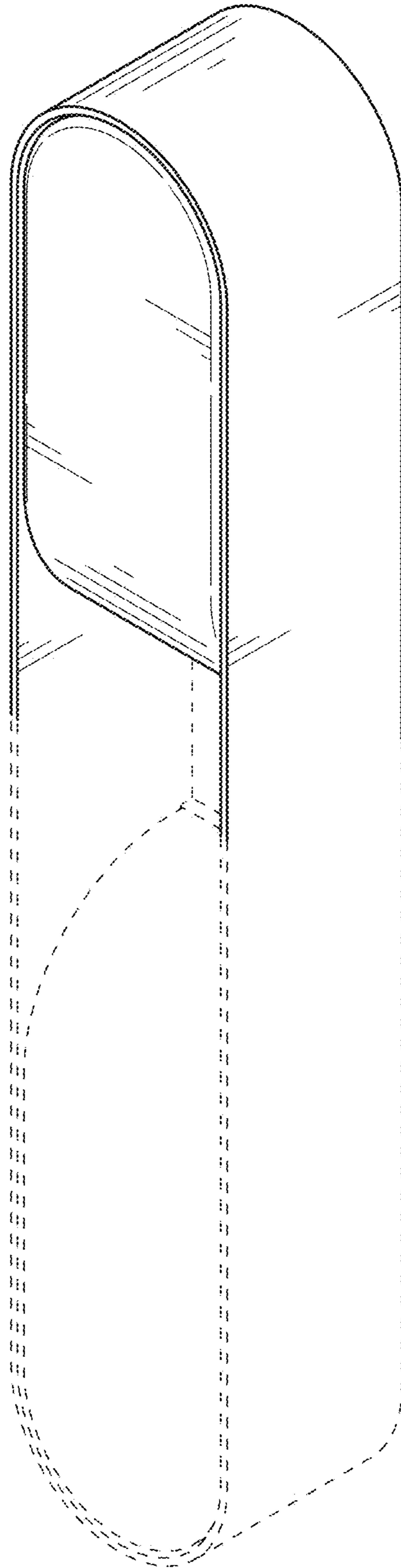


FIG. 9

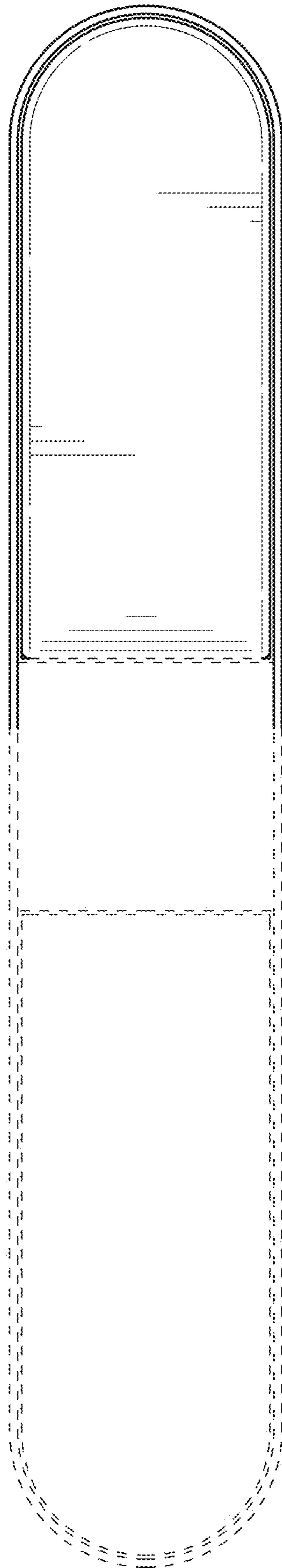


FIG. 10

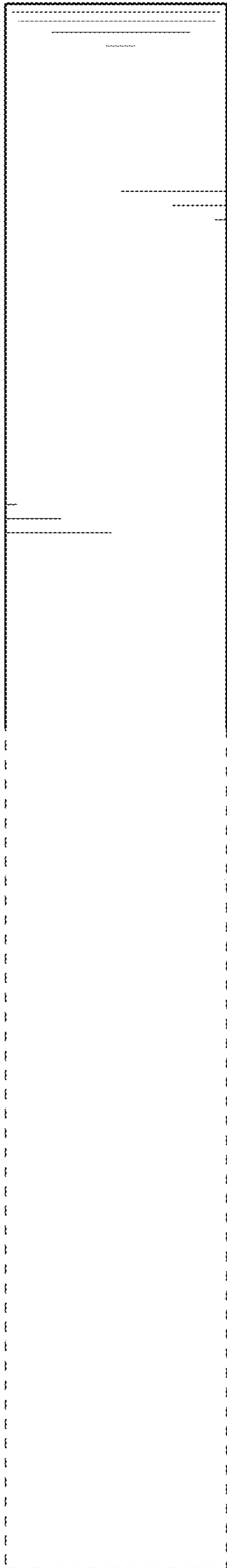


FIG. 11

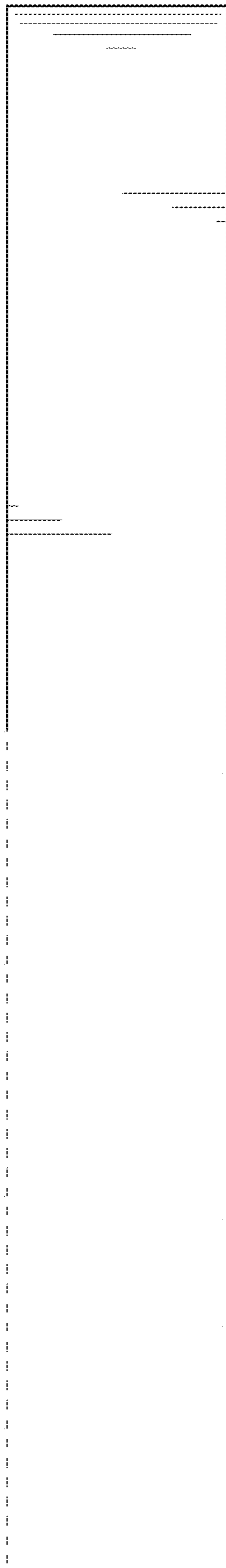


FIG. 12

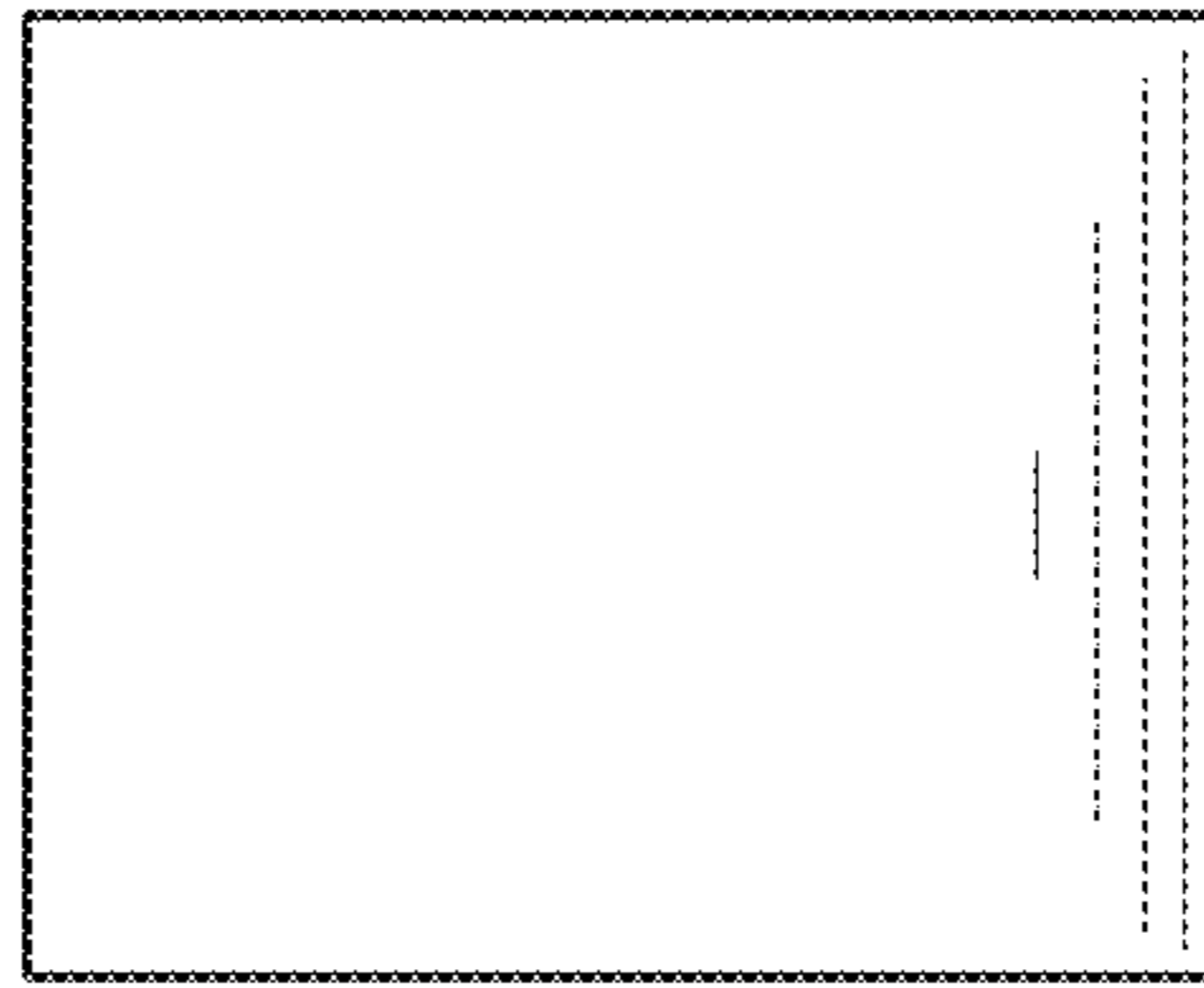


FIG. 13



FIG. 14

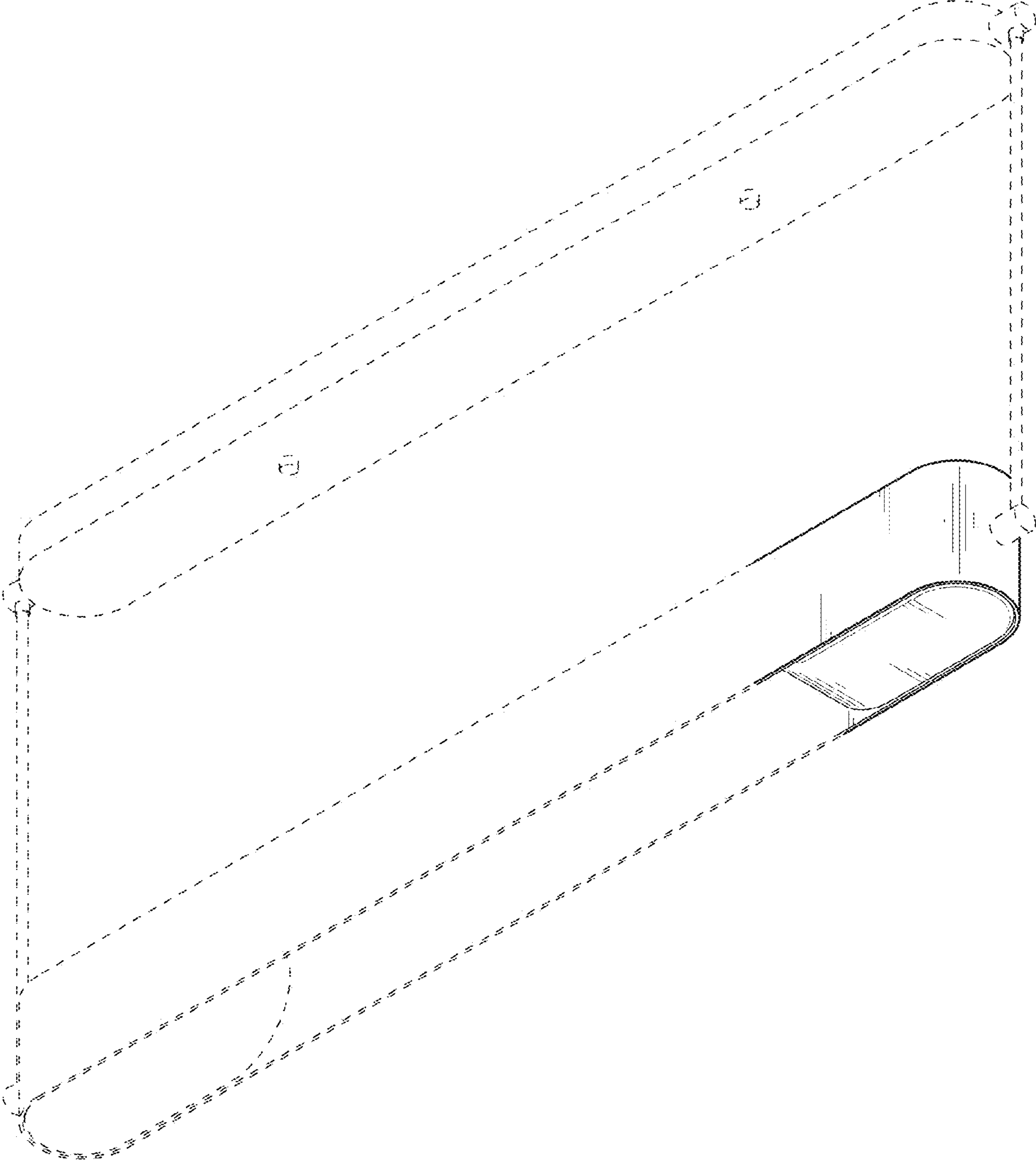


FIG. 15

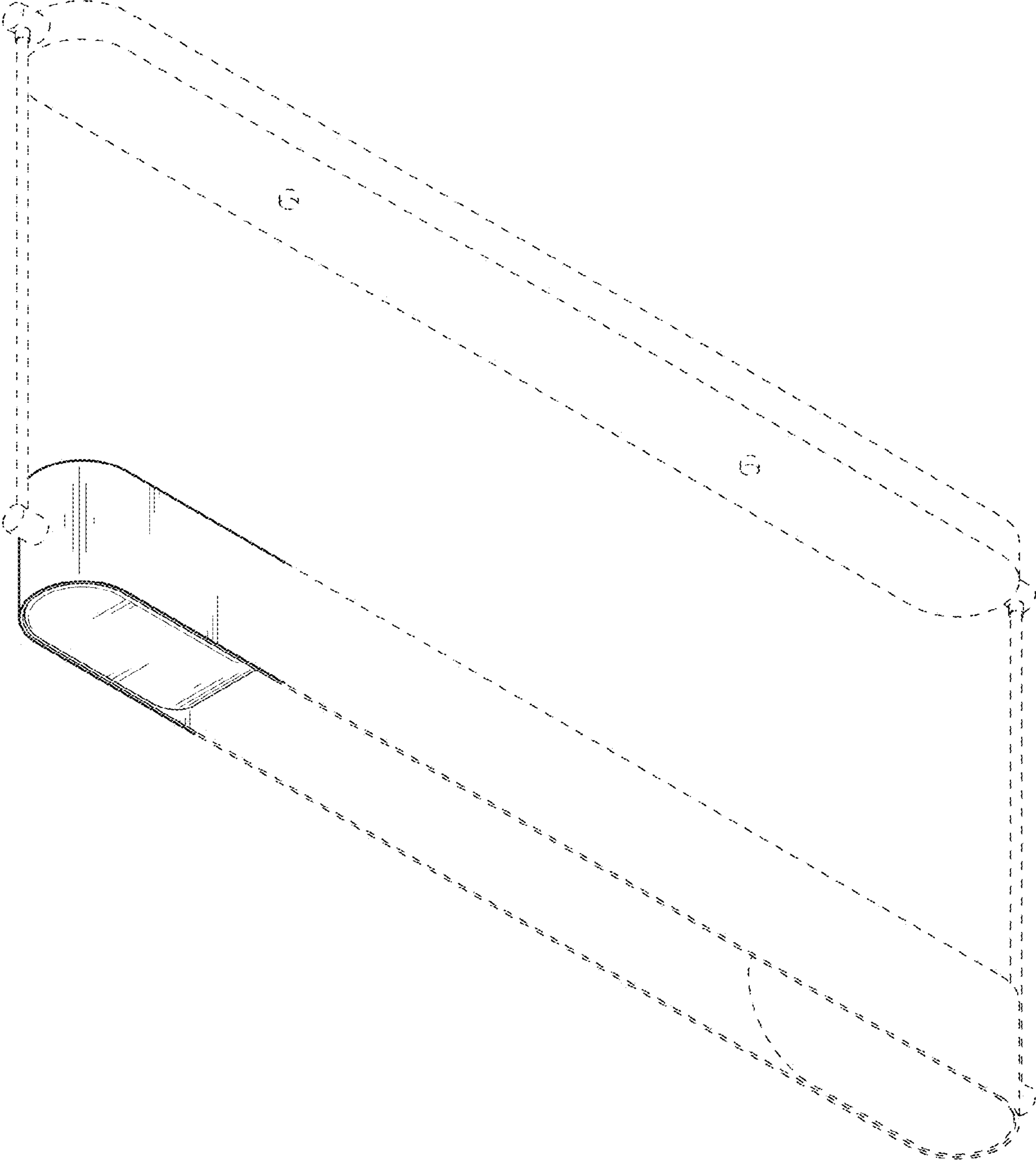


FIG. 16



FIG. 17

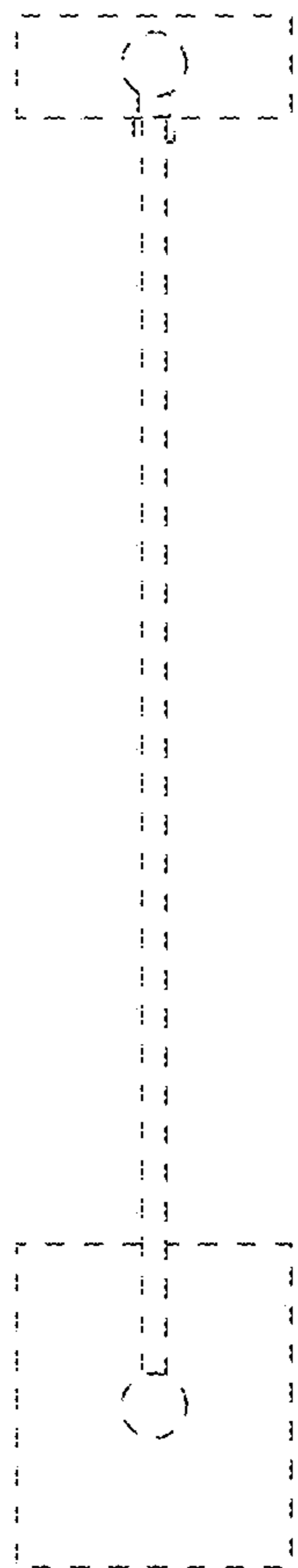


FIG. 18

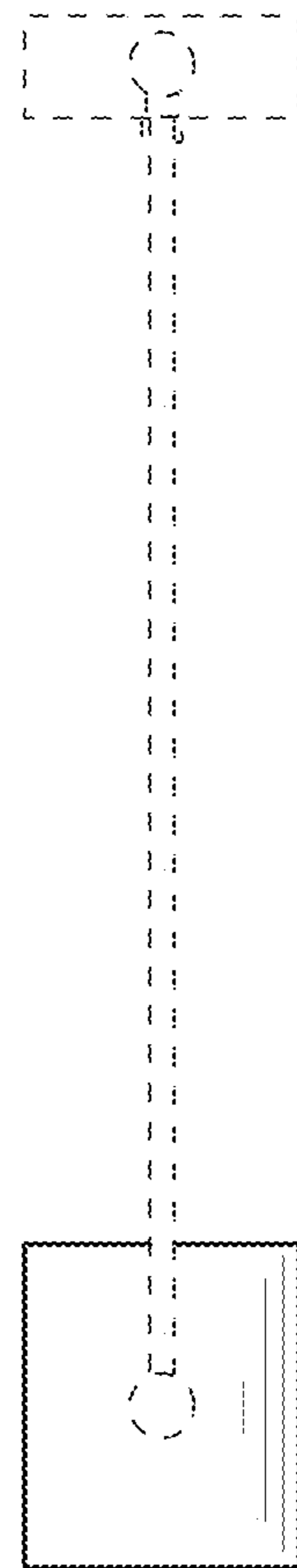


FIG. 19



FIG. 20

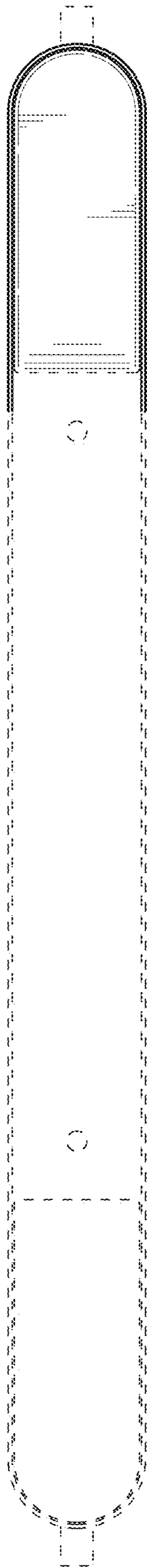


FIG. 21