



US00D948771S

(12) **United States Design Patent**
Lange et al.

(10) **Patent No.:** **US D948,771 S**
(45) **Date of Patent:** **** Apr. 12, 2022**

(54) **LAMP MODULE FOR A MODULAR LAMP**

(71) Applicant: **ARTEMIDE S.p.A.**, Milan (IT)

(72) Inventors: **Jakob Lange**, Milan (IT); **Bjarke Ingels**, Milan (IT)

(73) Assignee: **ARTEMIDE S.p.A.**

(**) Term: **15 Years**

(21) Appl. No.: **29/780,082**

(22) Filed: **Apr. 22, 2021**

D369,427 S	4/1996	Vakil	
D377,690 S	1/1997	Matsumura	
D487,528 S	3/2004	Christensen	
D580,580 S	11/2008	Lodhie	
D584,442 S	1/2009	Benensohn	
D590,982 S	4/2009	Benensohn	
D617,035 S	6/2010	Sabernig	
D660,503 S	5/2012	Gilad	
D666,764 S	9/2012	Gilad	
D701,342 S	3/2014	Novak	
D906,561 S *	12/2020	Velez	D26/60
D909,662 S *	2/2021	Cvek	D26/107
D912,127 S *	3/2021	Wu	D16/235
D914,955 S *	3/2021	Deng	D26/107
D920,543 S *	5/2021	Wei	D26/24
D920,566 S *	5/2021	Wei	D26/110

* cited by examiner

Related U.S. Application Data

(62) Division of application No. 29/617,317, filed on Sep. 13, 2017, now Pat. No. Des. 920,557.

Foreign Application Priority Data

Mar. 13, 2017 (EM) 003796911

(51) **LOC (13) Cl.** **26-04**

(52) **U.S. Cl.**
USPC **D26/75**

(58) **Field of Classification Search**
USPC D26/75, 29-36, 24, 93, 106, 107, 108,
D26/110, 112, 79, 80, 85, 86, 87
CPC F21S 48/00; F21S 48/10; F21S 48/115;
F21S 48/1233
See application file for complete search history.

References Cited

U.S. PATENT DOCUMENTS

3,191,087 A	6/1965	Sugiyama
D259,961 S	7/1981	Wotowiec
D364,241 S	11/1995	Jaynes

Primary Examiner — Mark A Goodwin

Assistant Examiner — Benjamin M Weeks

(74) *Attorney, Agent, or Firm* — The Belles Group, P.C.

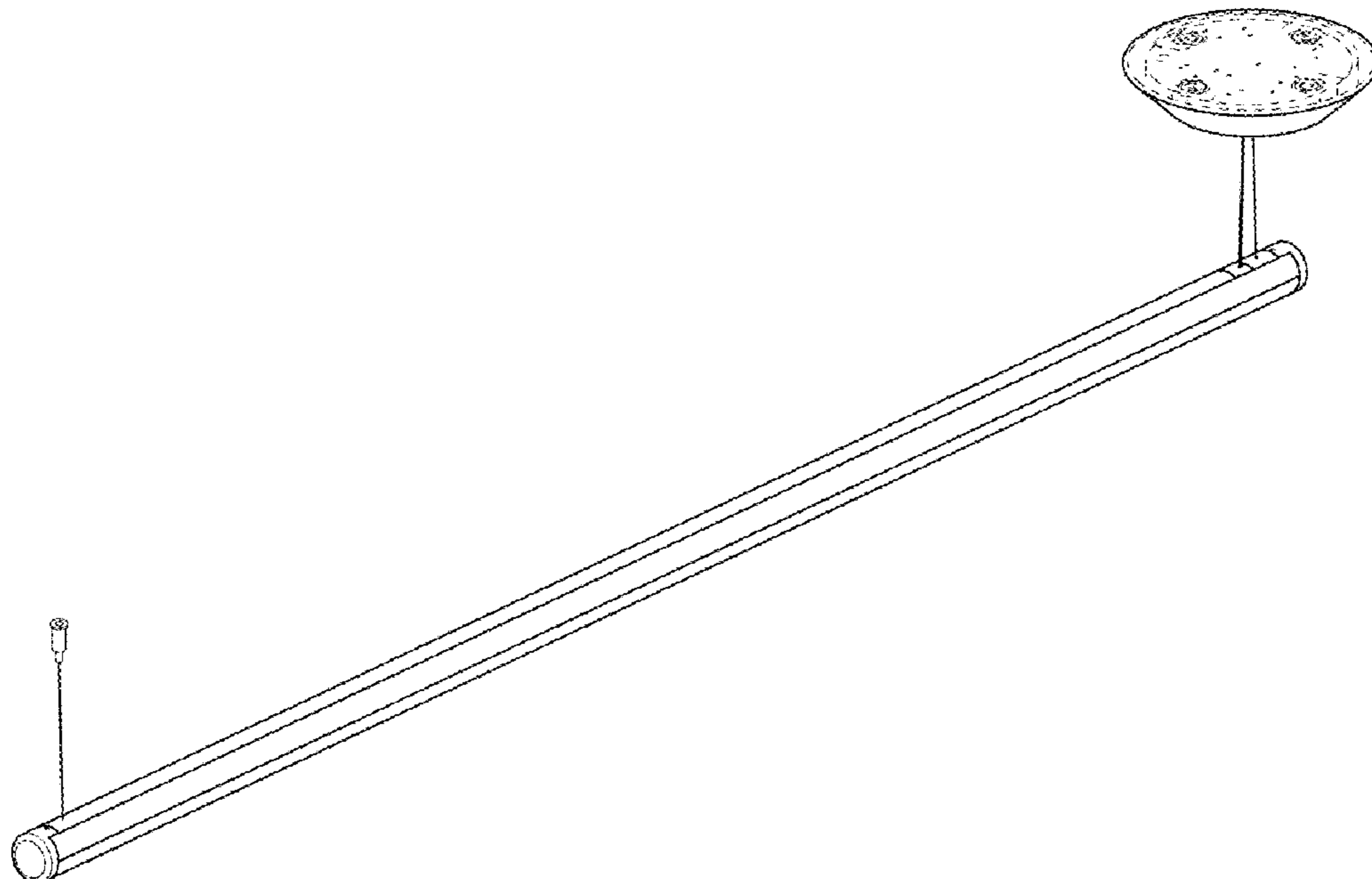
CLAIM

(57) The ornamental design for a lamp module for a modular lamp, as shown and described.

DESCRIPTION

FIG. 1 is a perspective view of a lamp module for a modular lamp in accordance with our new design;
FIG. 2 is a front view thereof;
FIG. 3 is a rear view thereof;
FIG. 4 is a left side view thereof;
FIG. 5 is a right side view thereof;
FIG. 6 is a bottom view thereof; and,
FIG. 7 is a top view thereof.
The broken lines in the figures illustrate portions of the modular lamp that form no part of the claimed design.

1 Claim, 7 Drawing Sheets



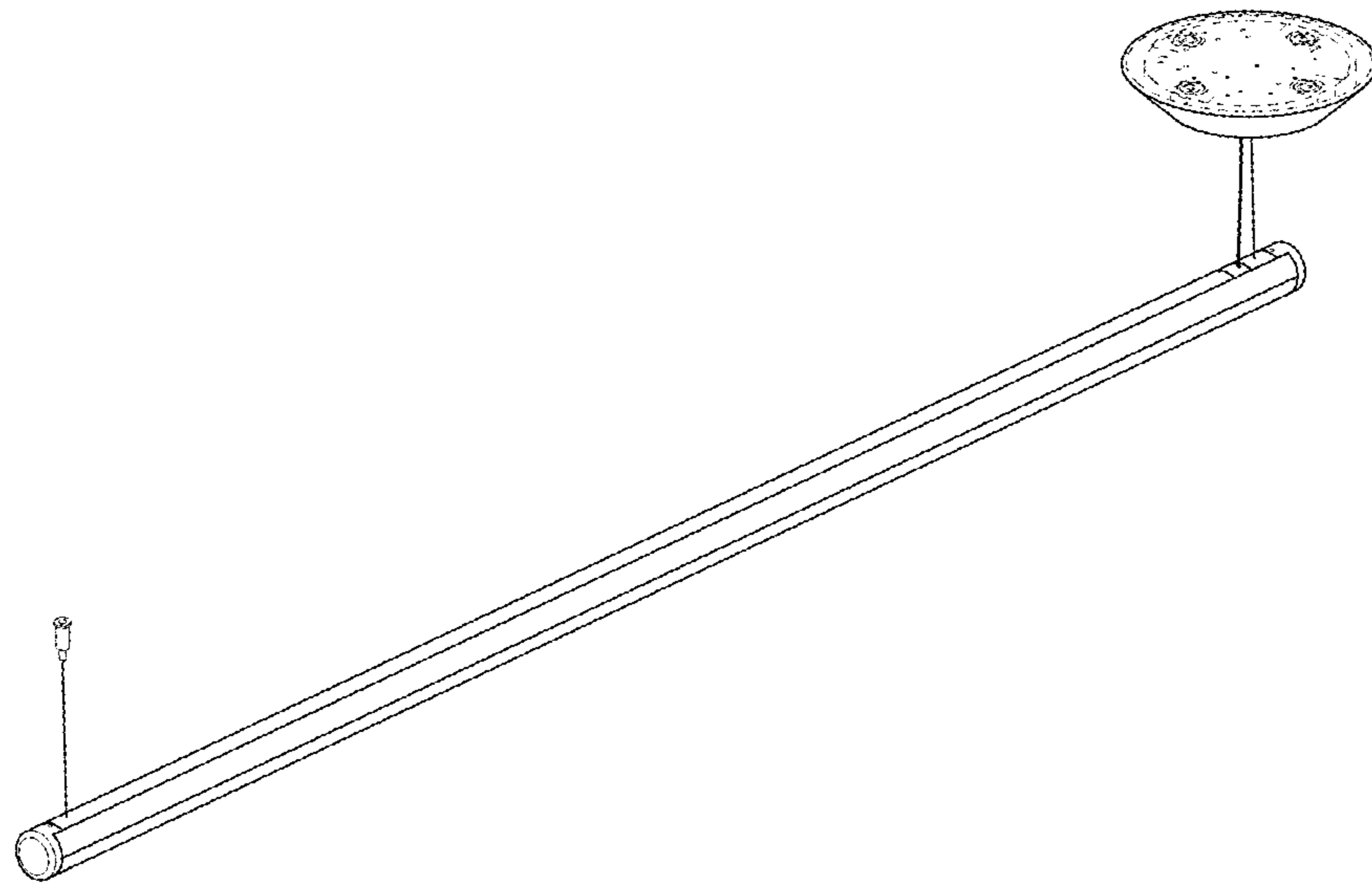


FIG. 1

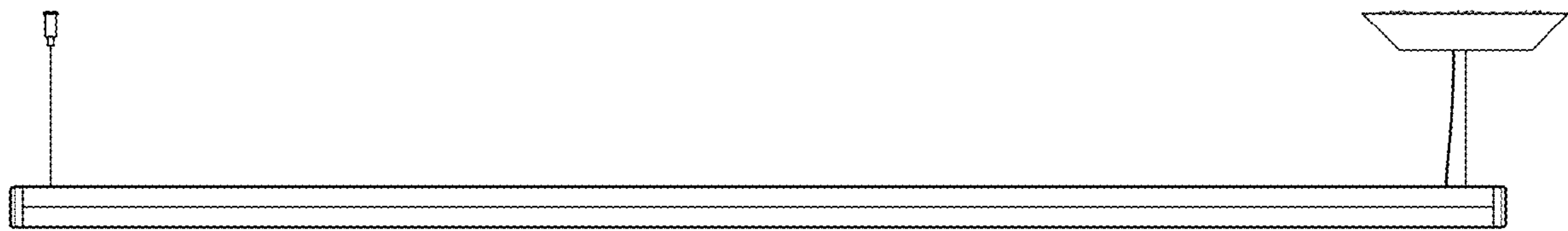


FIG. 2



FIG. 3

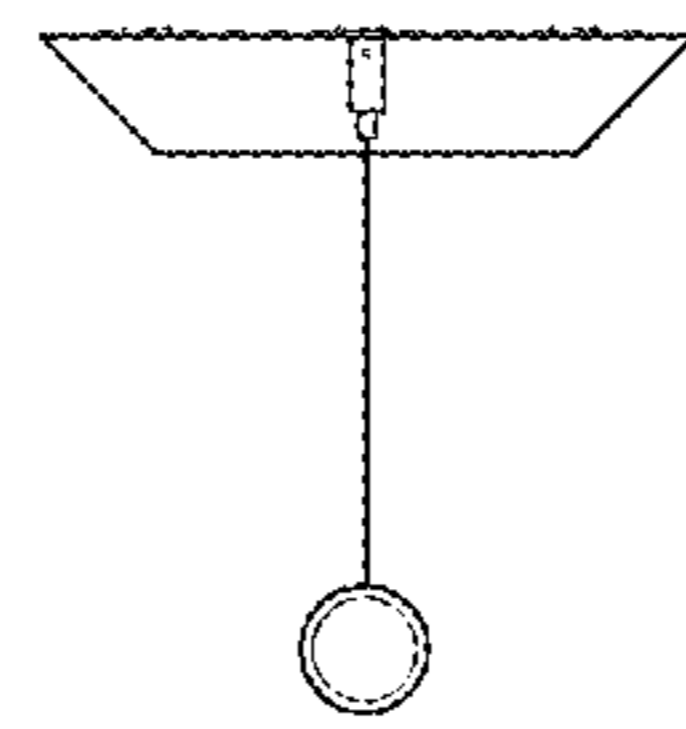


FIG. 4

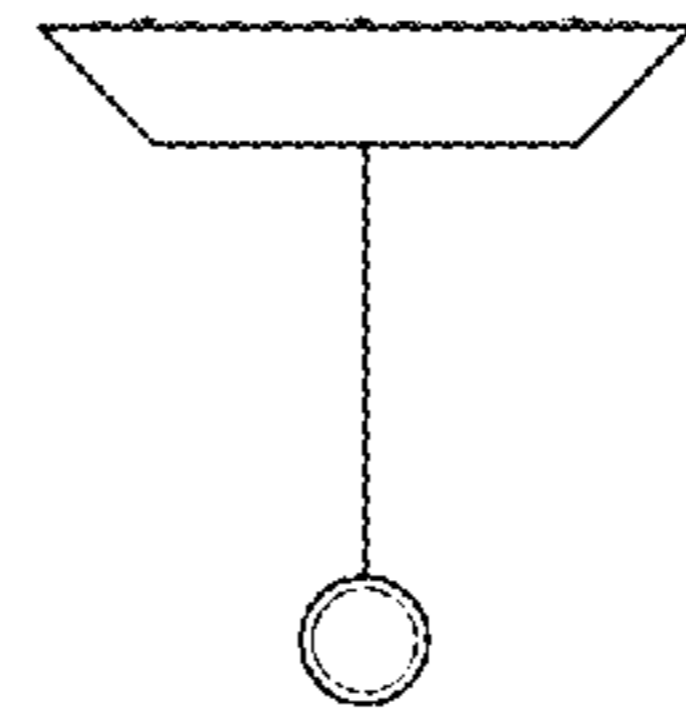


FIG. 5

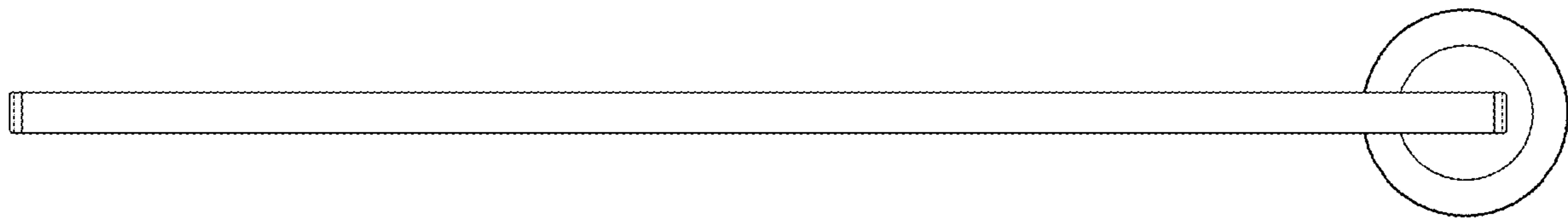


FIG. 6

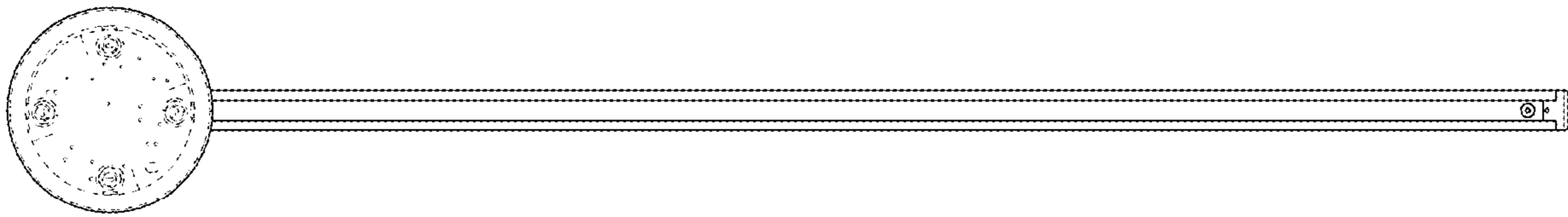


FIG. 7