



US00D948770S

(12) **United States Design Patent**
Sung

(10) **Patent No.:** **US D948,770 S**

(45) **Date of Patent:** **** Apr. 12, 2022**

(54) **LUMINAIRE**

(71) Applicant: **SIGNIFY HOLDING B.V.**, Eindhoven (NL)

(72) Inventor: **Yunhwan Sung**, Shanghai (CN)

(73) Assignee: **SIGNIFY HOLDING B.V.**, Eindhoven (NL)

(**) Term: **15 Years**

(21) Appl. No.: **29/682,825**

(22) Filed: **Mar. 8, 2019**

(51) **LOC (13) Cl.** **26-05**

(52) **U.S. Cl.**
USPC **D26/72**

(58) **Field of Classification Search**
USPC D26/24, 63, 72, 74, 75-78, 80-92, 118,
D26/120, 122, 142, 149; D13/134;
D10/111-115
CPC F21V 23/003; F21V 23/023; F21V 29/71;
F21V 29/713; F21V 29/717; F21V 29/73;
F21V 29/74; F21V 29/745; F21V 29/75;
F21V 29/76; F21V 5/00; F21V 1/02;
F21Y 2115/10; F21S 8/002; F21S 8/04;
F21S 8/026

See application file for complete search history.

(56) **References Cited**

U.S. PATENT DOCUMENTS

D90,612 S * 8/1933 Howell D26/88
D492,440 S * 6/2004 Parres D26/85
D656,265 S * 3/2012 Sabernig D26/88
D702,392 S * 4/2014 Ohuchi D26/88

D805,676 S * 12/2017 Piano D26/88
10,073,212 B1 * 9/2018 Chang G02B 6/0083
D841,868 S * 2/2019 Xu D26/89
D855,861 S * 8/2019 Perrone D26/74
D869,735 S * 12/2019 Babutzka D26/88
D869,737 S * 12/2019 Babutzka D26/89
D871,645 S * 12/2019 Zhao D26/74
D928,392 S * 8/2021 Becker D26/142
D936,266 S * 11/2021 Sung D26/72

FOREIGN PATENT DOCUMENTS

EM RGN * 3/2019
005634417-0001

* cited by examiner

Primary Examiner — Kevin K Rudzinski

Assistant Examiner — Richard Kearney

(74) *Attorney, Agent, or Firm* — Daniel J. Piotrowski

(57) **CLAIM**

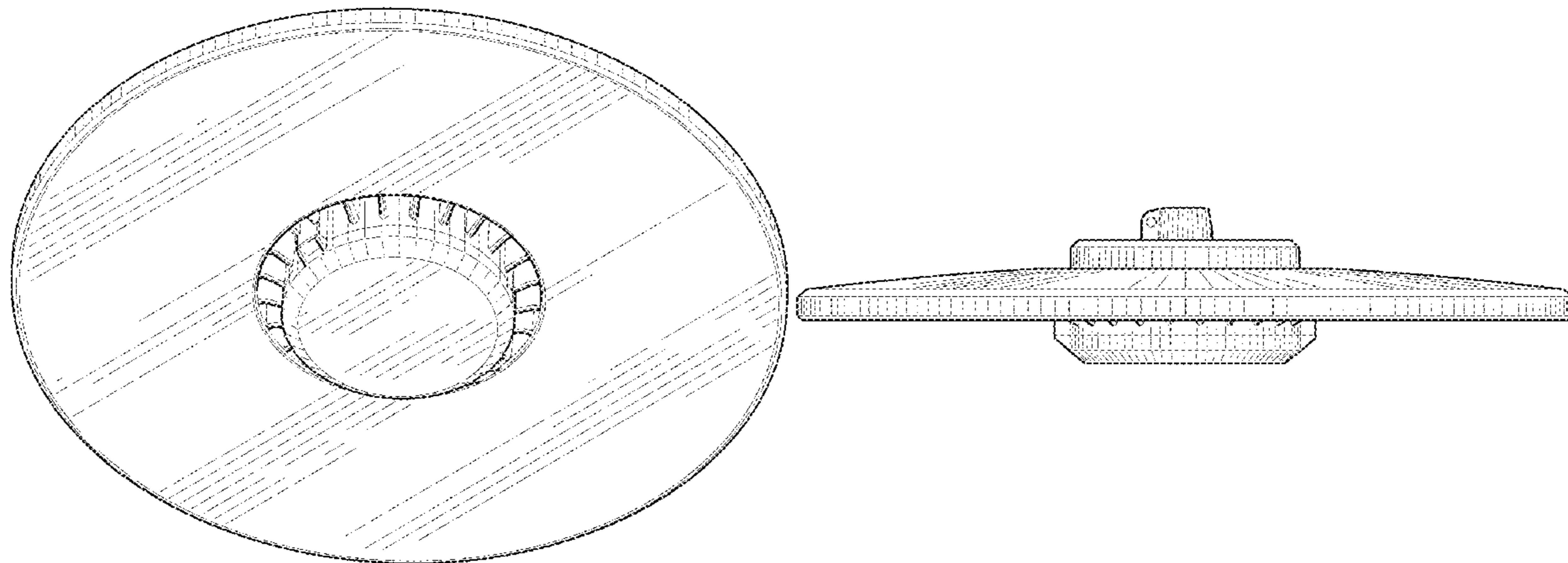
The ornamental design for a “luminaire”, as shown and described.

DESCRIPTION

FIG. 1 is a perspective view showing my design;
FIG. 2 is a front elevational view thereof;
FIG. 3 is a rear elevational view thereof;
FIG. 4 is a right side elevational view thereof;
FIG. 5 is a left side elevational view thereof;
FIG. 6 is a top plan view thereof; and,
FIG. 7 is a bottom plan view thereof.

The broken lines shown in the drawings illustrate portions of the article and form no part of the claimed design.

1 Claim, 4 Drawing Sheets



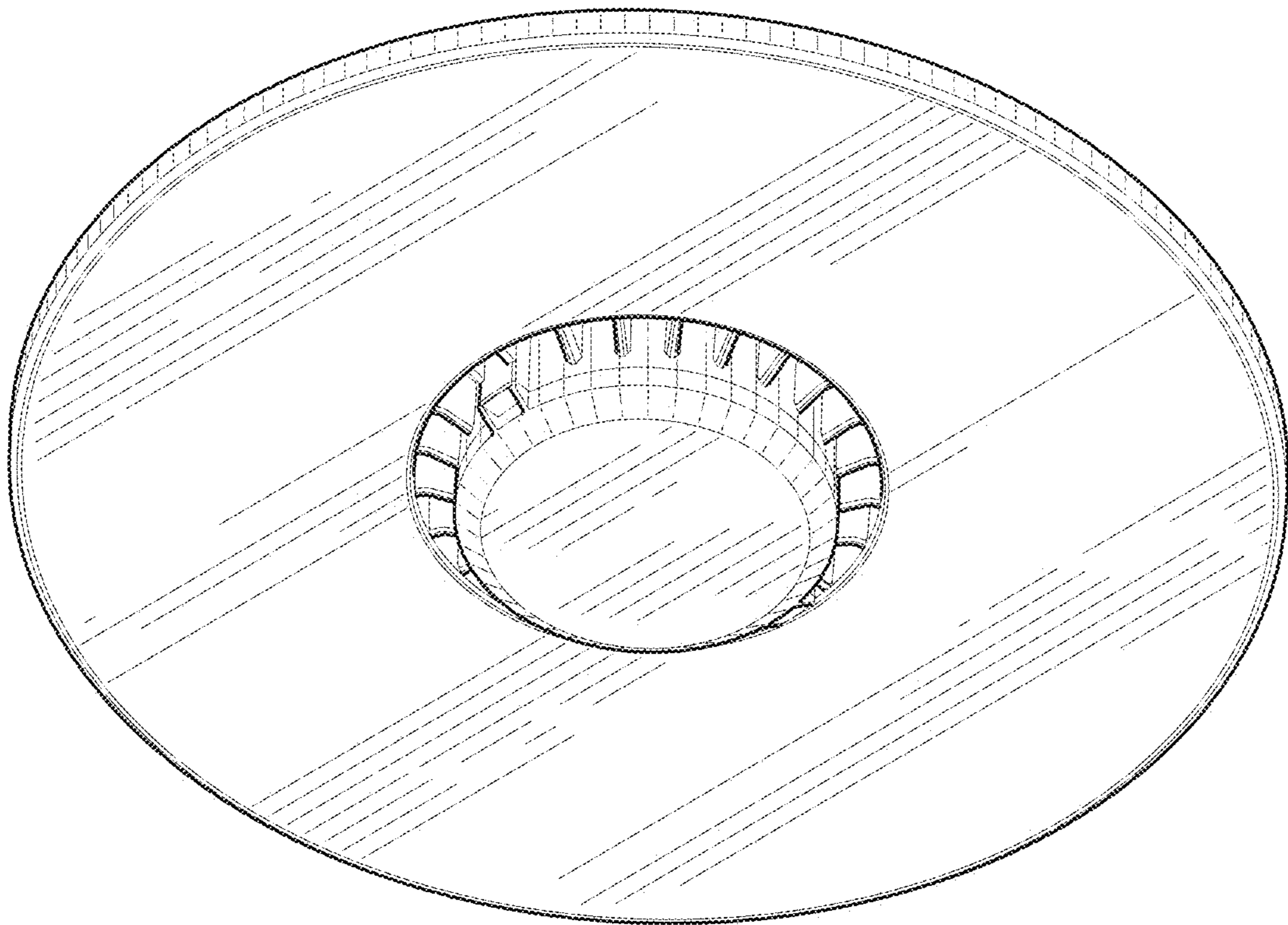


FIG. 1

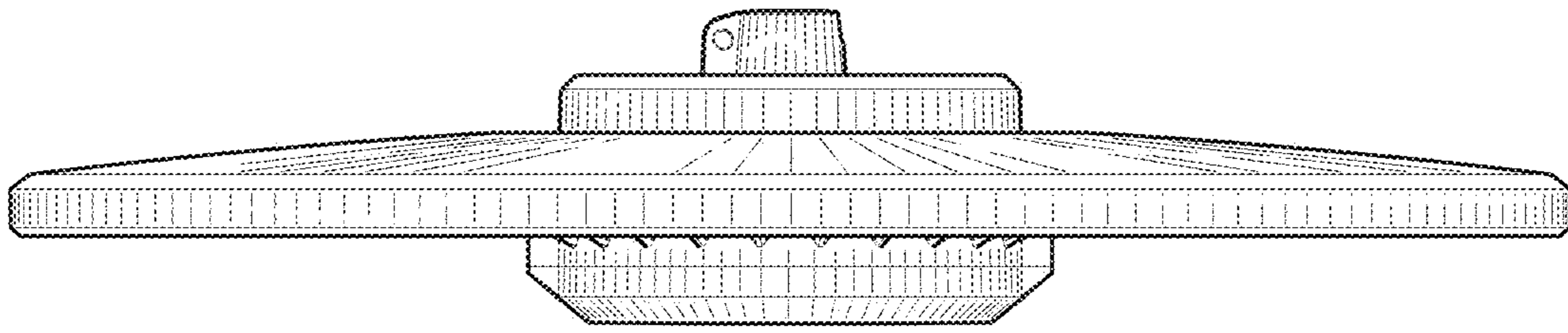


FIG. 2

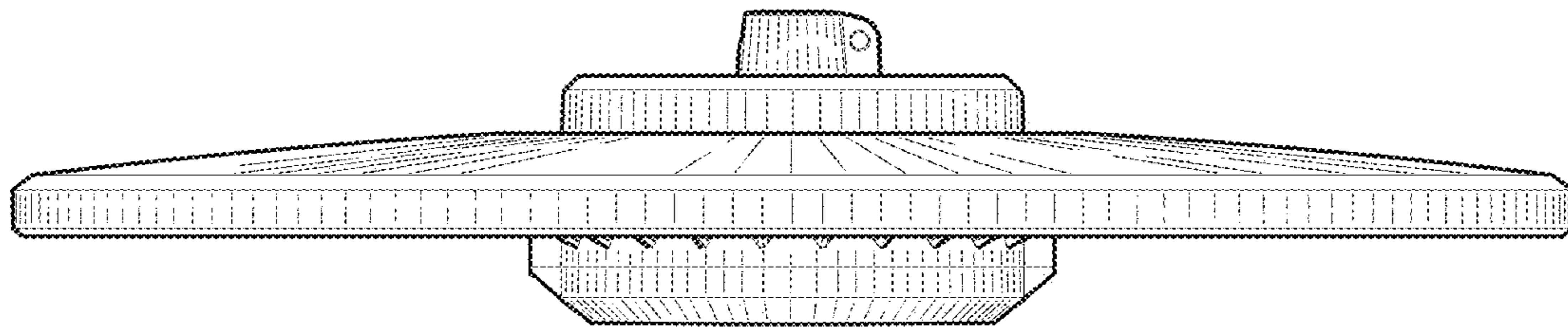


FIG. 3

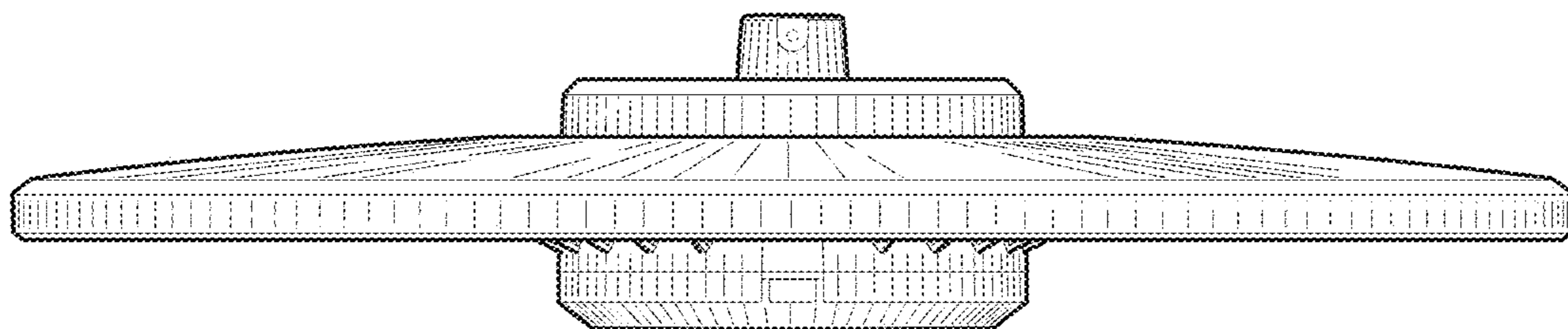


FIG. 4

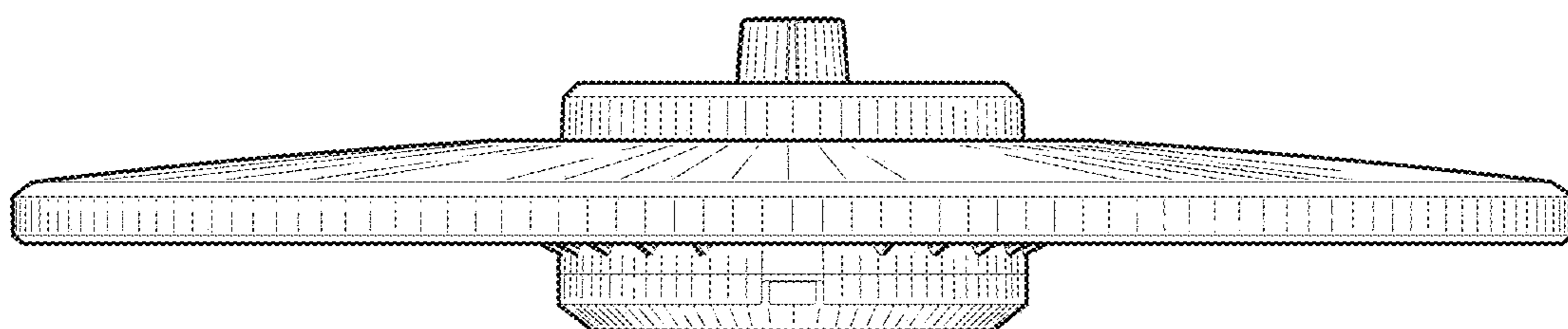


FIG. 5

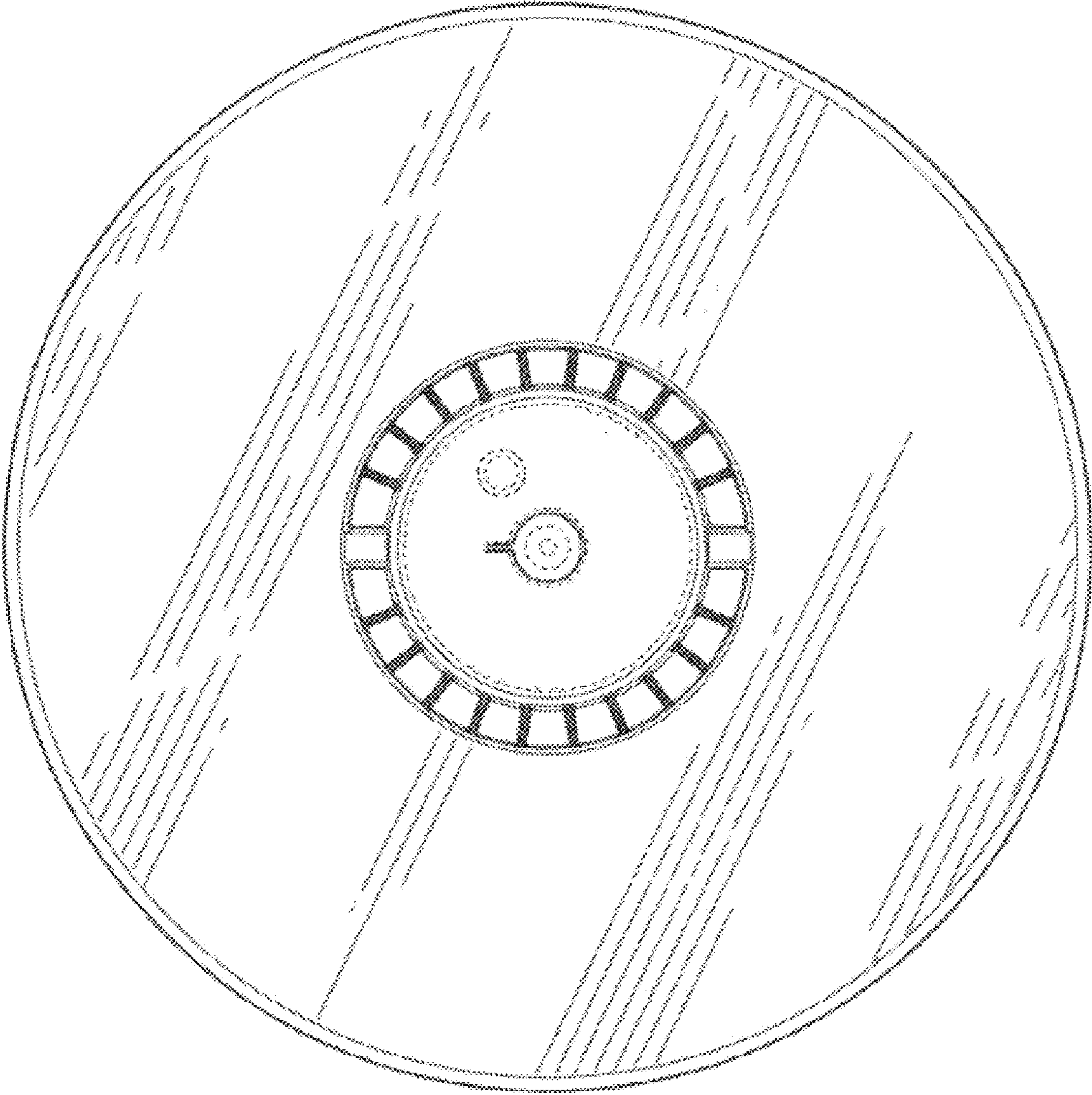


FIG. 6

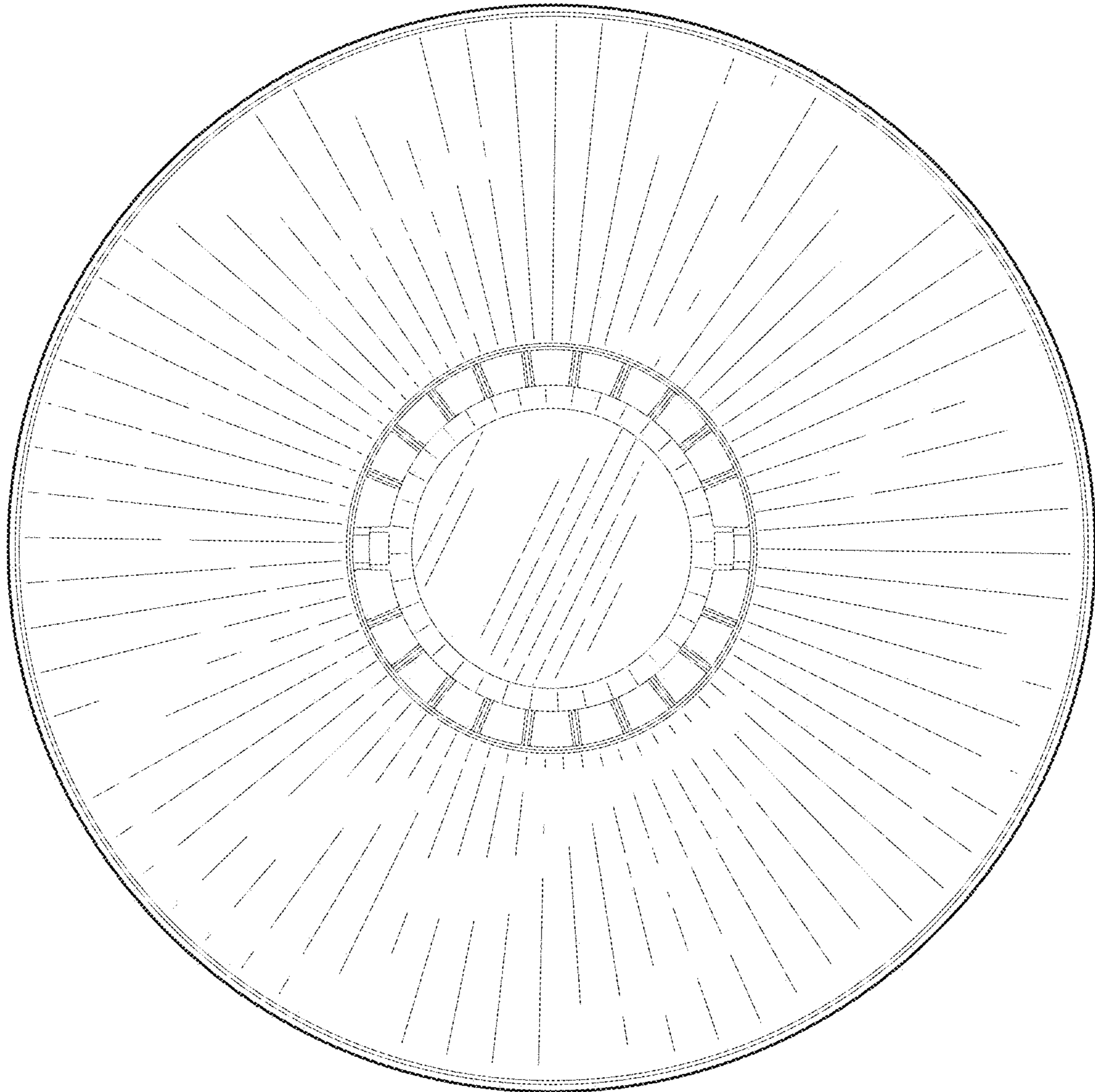


FIG. 7