

US00D948769S

(12) **United States Design Patent**
Wang

(10) **Patent No.:** **US D948,769 S**

(45) **Date of Patent:** **** Apr. 12, 2022**

(54) **LED UMBRELLA LIGHT**

(71) Applicant: **Yuhua Wang**, Beijing (CN)

(72) Inventor: **Yuhua Wang**, Beijing (CN)

(**) Term: **15 Years**

(21) Appl. No.: **29/679,182**

(22) Filed: **Feb. 2, 2019**

(30) **Foreign Application Priority Data**

Aug. 17, 2018 (CN) 201830457614.1

(51) **LOC (13) Cl.** **26-05**

(52) **U.S. Cl.**

USPC **D26/67**

(58) **Field of Classification Search**

USPC D26/67-70, 80

CPC ... F21S 8/032; F21S 9/02; F21S 9/037; F21V 21/088; F21V 21/0885; F21V 33/0028

See application file for complete search history.

(56) **References Cited**

U.S. PATENT DOCUMENTS

D234,809 S *	4/1975	Delin	D26/67
4,225,909 A *	9/1980	Scholz	F21S 8/08 362/367
5,584,564 A *	12/1996	Phyle	A45B 3/04 135/910
D461,922 S *	8/2002	Hille	D26/67
7,401,936 B1 *	7/2008	Fan	A45B 3/04 362/102
7,695,153 B2 *	4/2010	Tsai	A45B 3/00 362/102
D621,985 S *	8/2010	Sanoner	D26/67

D680,673 S *	4/2013	Levine	D26/67
2007/0133191 A1 *	6/2007	Ma	A45B 3/04 362/102
2010/0207538 A1 *	8/2010	Chen	F21S 6/001 315/291
2014/0016309 A1 *	1/2014	Toner	F21V 21/0885 362/183
2016/0209004 A1 *	7/2016	Zauritz	F21V 11/00
2017/0290274 A1 *	10/2017	Sulejmani	F21V 21/088

* cited by examiner

Primary Examiner — Clare E Heflin

(74) *Attorney, Agent, or Firm* — Enshan Hong; MagStone Law, LLP

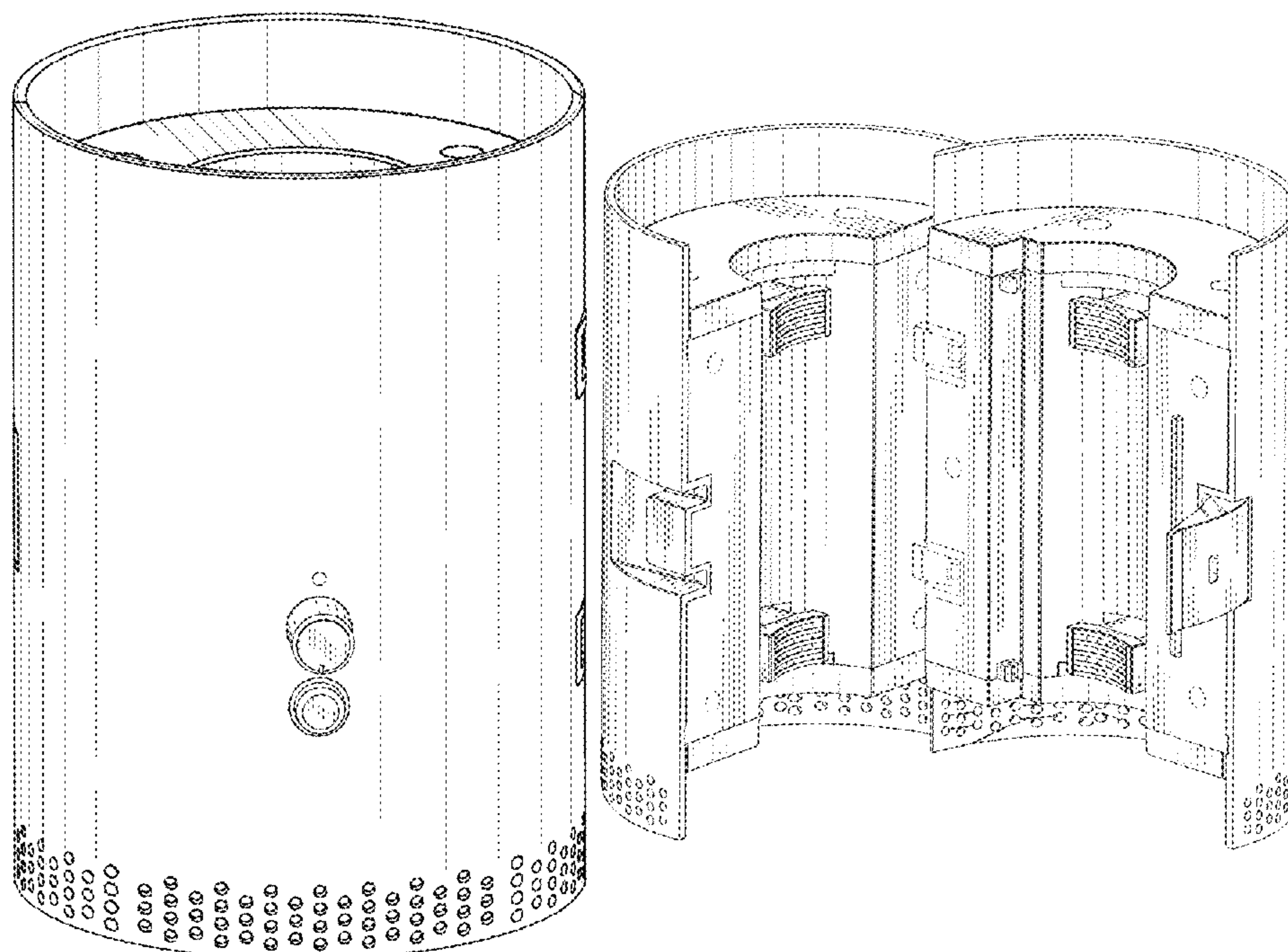
(57) **CLAIM**

The ornamental design for an LED umbrella light, as shown and described.

DESCRIPTION

FIG. 1 is a perspective view of an LED umbrella light showing my new design;
 FIG. 2 is a front view thereof;
 FIG. 3 is a back view thereof;
 FIG. 4 is a right view thereof;
 FIG. 5 is a left view thereof;
 FIG. 6 is a top view thereof;
 FIG. 7 is a bottom view thereof; and,
 FIG. 8 a perspective view illustrating the LED umbrella light in an opened state.
 The portions of the article shown in broken lines form no part of the claimed design.

1 Claim, 8 Drawing Sheets



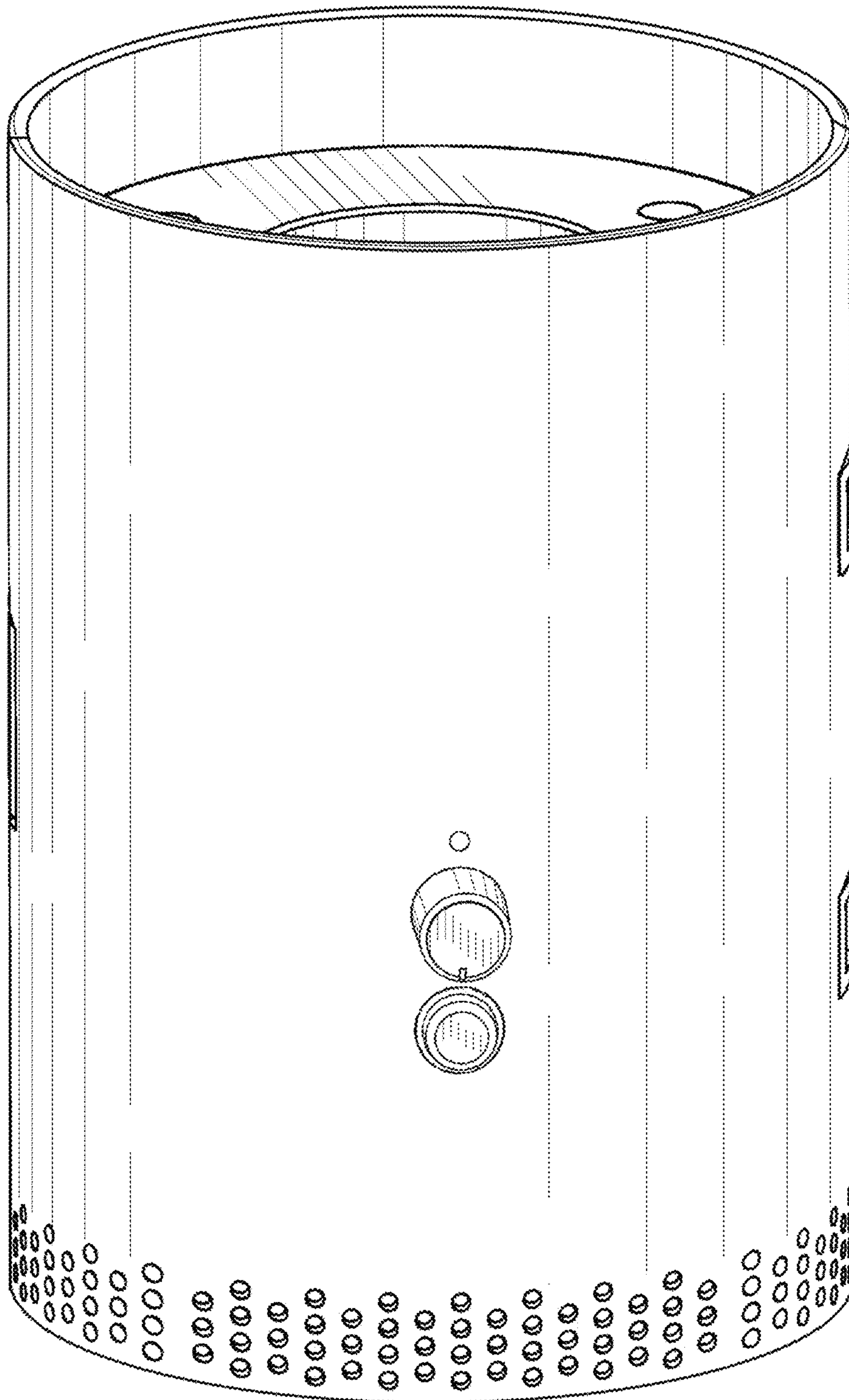


FIG. 1

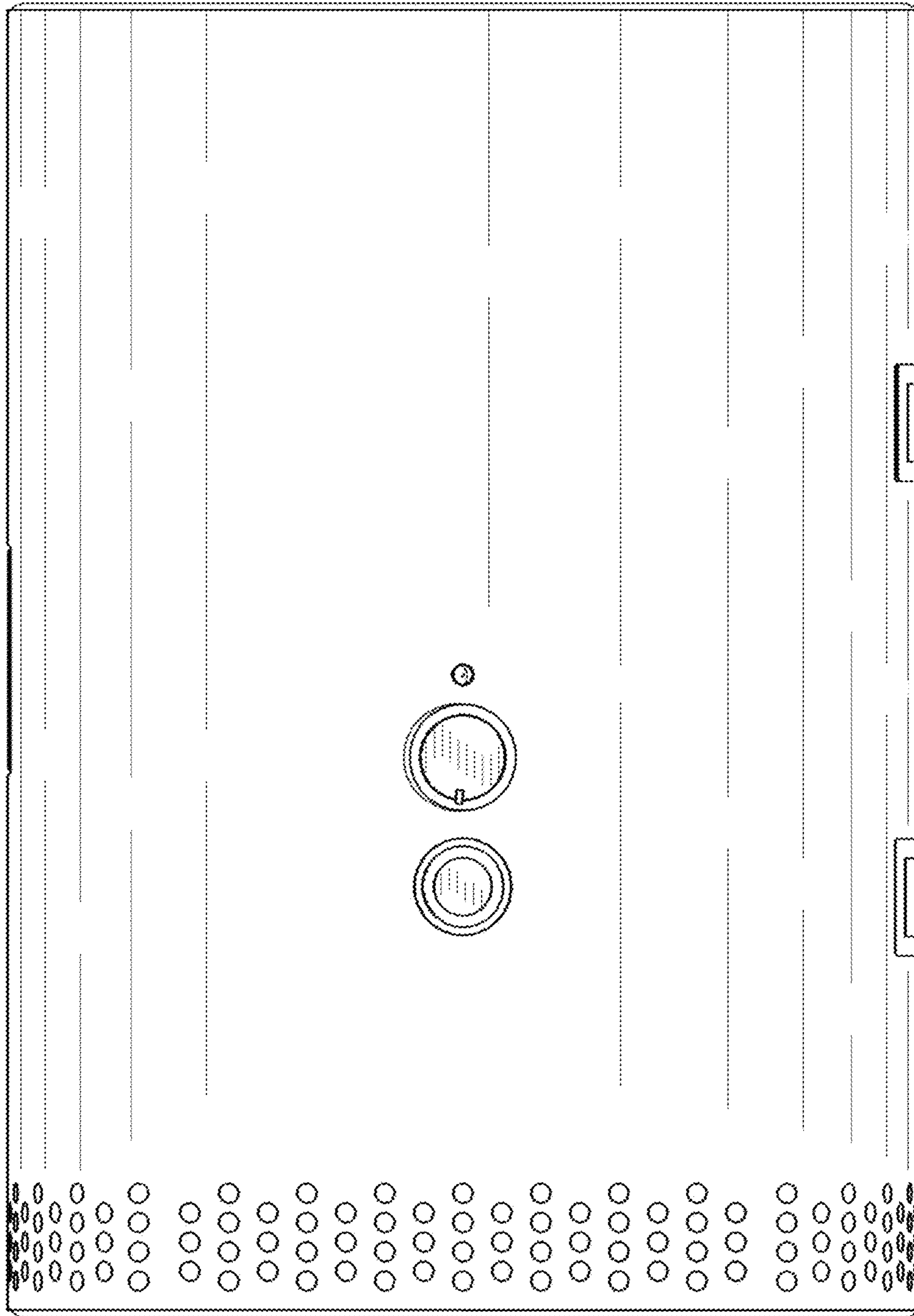


FIG. 2

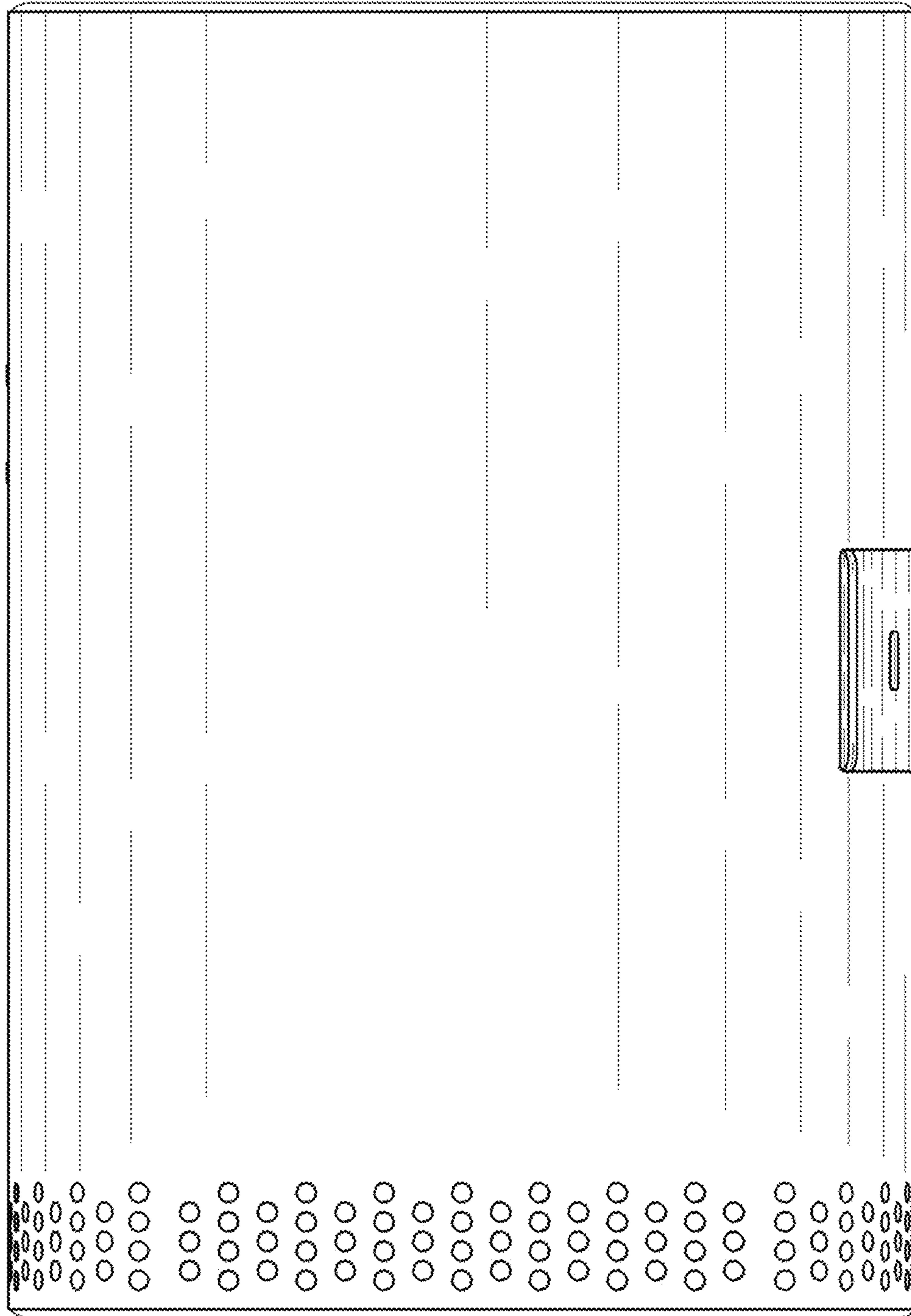


FIG. 3

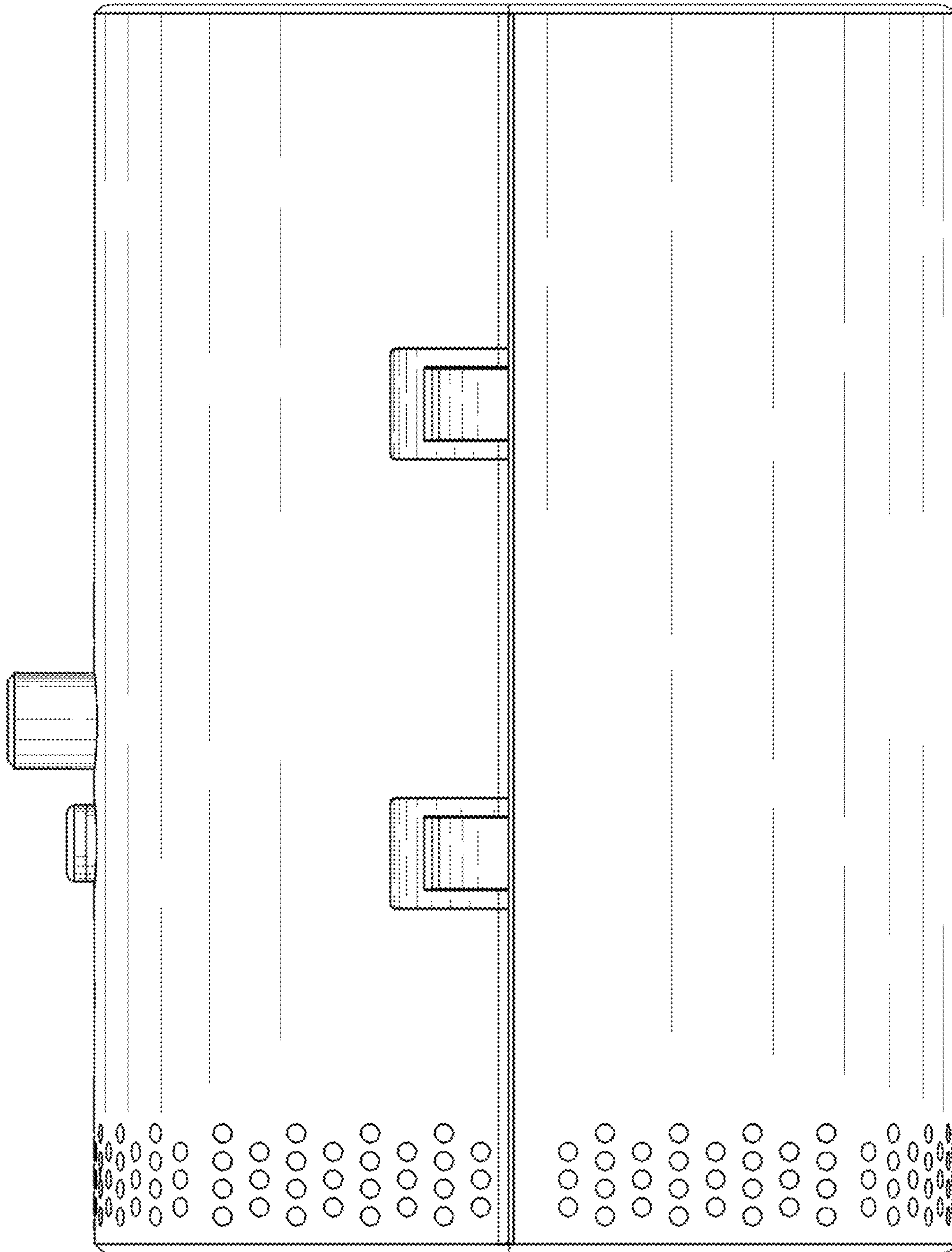


FIG. 4

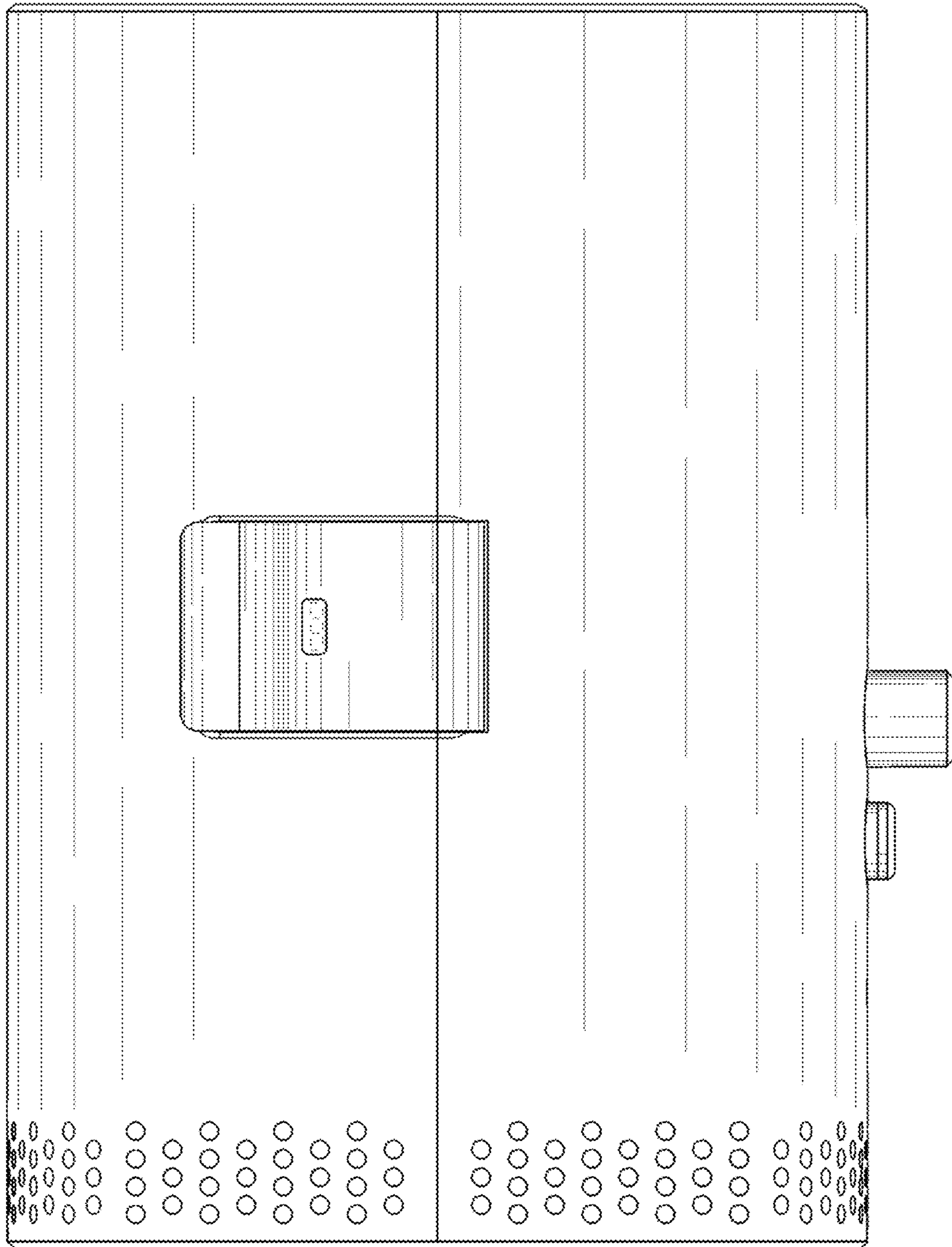


FIG. 5

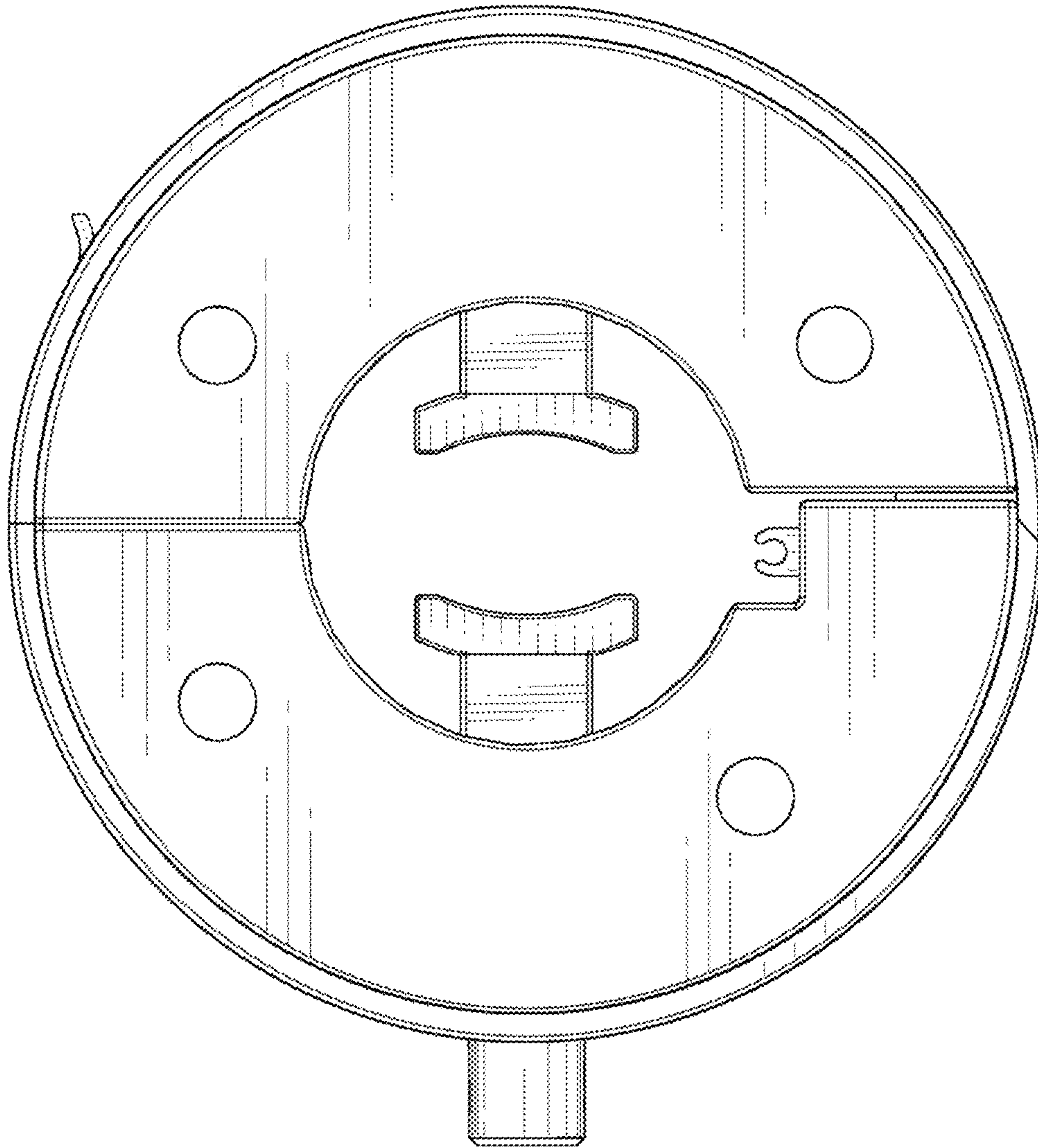


FIG. 6

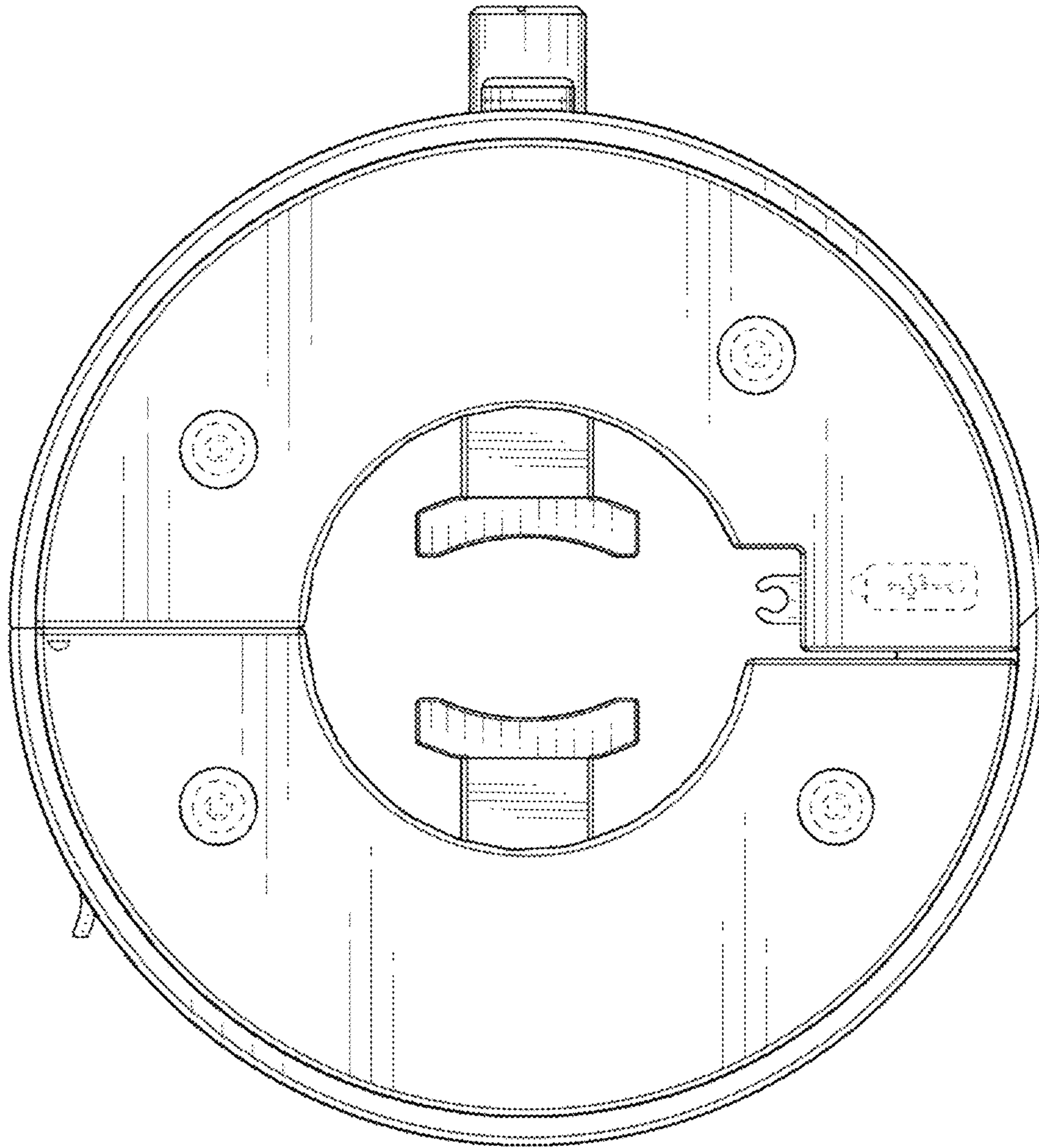


FIG. 7

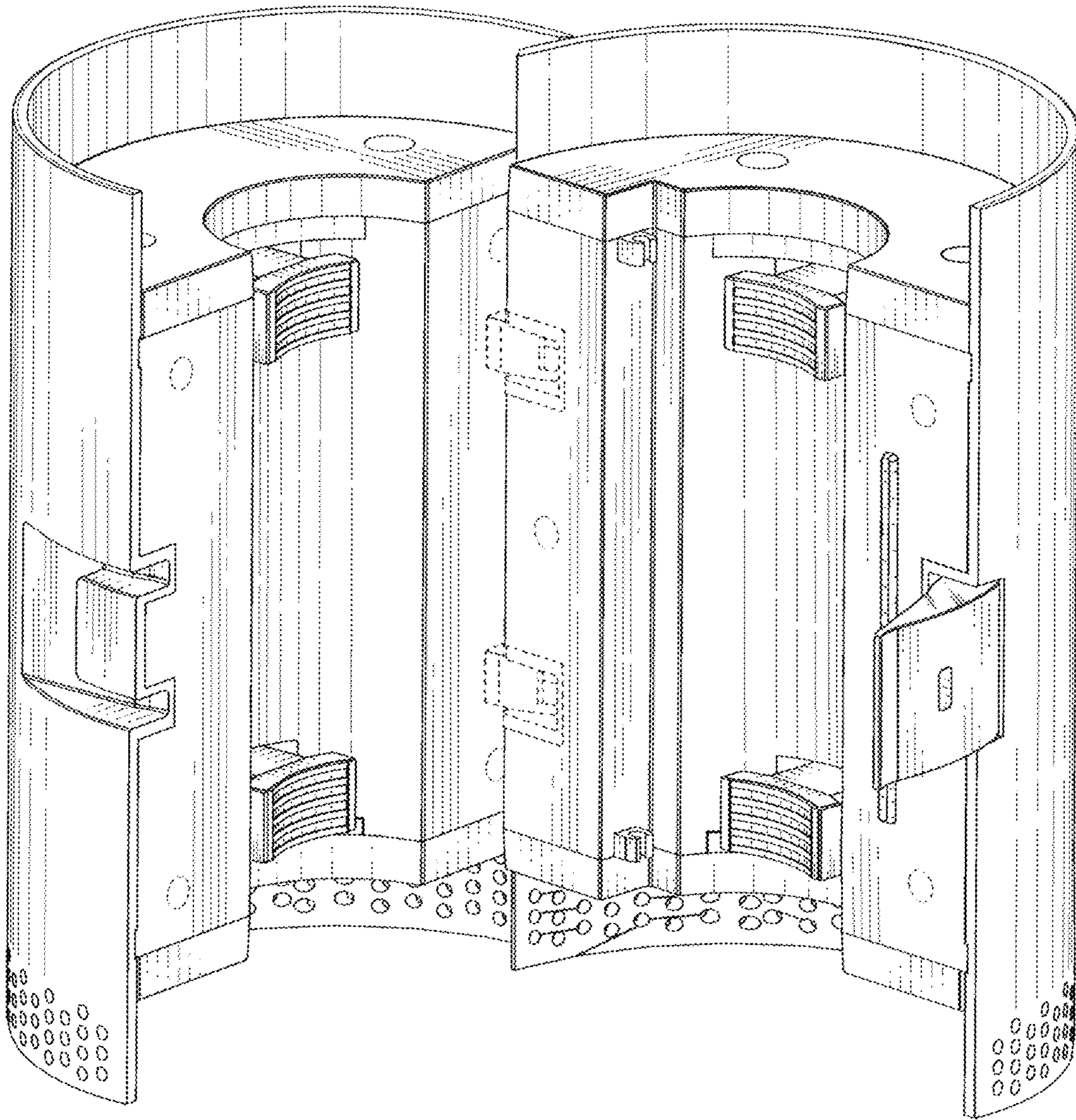


FIG. 8