



US00D948768S

(12) **United States Design Patent**
Ouyang

(10) **Patent No.:** **US D948,768 S**

(45) **Date of Patent:** **** Apr. 12, 2022**

- (54) **PROJECTOR LAMP**
- (71) Applicant: **Helen Ouyang**, Guangdong (CN)
- (72) Inventor: **Helen Ouyang**, Guangdong (CN)
- (73) Assignee: **Shenzhen Max.W8 Technology Co., Ltd.**, Shenzhen (CN)
- (**) Term: **15 Years**
- (21) Appl. No.: **29/780,533**
- (22) Filed: **Apr. 26, 2021**
- (51) **LOC (13) Cl.** **26-05**
- (52) **U.S. Cl.**
USPC **D26/63; D26/110**
- (58) **Field of Classification Search**
USPC D26/24, 37, 46, 49, 51, 63, 93, 104, 106,
D26/110; D16/221
CPC F21S 6/00; F21S 6/002; F21S 6/003; F21S
6/006; F21S 6/007; F21S 10/00; F21S
10/02; F21S 10/06; F21S 10/007; F21S
10/046; F21S 10/063; F21S 9/00; F21S
9/02; F21W 2131/00; F21W 2131/30;
F21W 2131/205; F21W 2131/406; F21V
15/00; F21V 15/01; F21V 9/08; F21V
9/14; F21V 9/083; G03B 21/00; G03B
21/14; G03B 21/20
See application file for complete search history.

D779,109 S *	2/2017	Wallach	D26/97
D816,890 S	5/2018	Khubani		
D824,066 S	7/2018	Khubani		
D845,530 S	4/2019	Yu		
D861,965 S *	10/2019	Lin	D26/110
D861,966 S *	10/2019	Wang	D26/110
D861,967 S *	10/2019	Lin	D26/110
D866,835 S	11/2019	Amin		
D867,626 S *	11/2019	Song	D26/24
D884,949 S *	5/2020	Amin	D26/63
D893,060 S *	8/2020	Israni	D26/24
D894,460 S	8/2020	Yu		
D901,747 S *	11/2020	Lin	D26/94
10,830,410 B1 *	11/2020	Wei	F21V 11/16
D905,318 S *	12/2020	Cui	D26/106
D911,567 S *	2/2021	Lv	D26/63
D911,568 S *	2/2021	Lv	D26/63
D912,883 S *	3/2021	Zheng	D26/110
D914,958 S *	3/2021	Zheng	D26/110
D919,876 S *	5/2021	Ouyang	D26/110
D927,767 S *	8/2021	Zheng	D26/110
D930,212 S *	9/2021	Liu	D26/63
D930,222 S *	9/2021	Song	D26/106

* cited by examiner

Primary Examiner — Wan Laymon
Assistant Examiner — Clint A Samuel

(57) **CLAIM**

The ornamental design for a projector lamp, as shown and described.

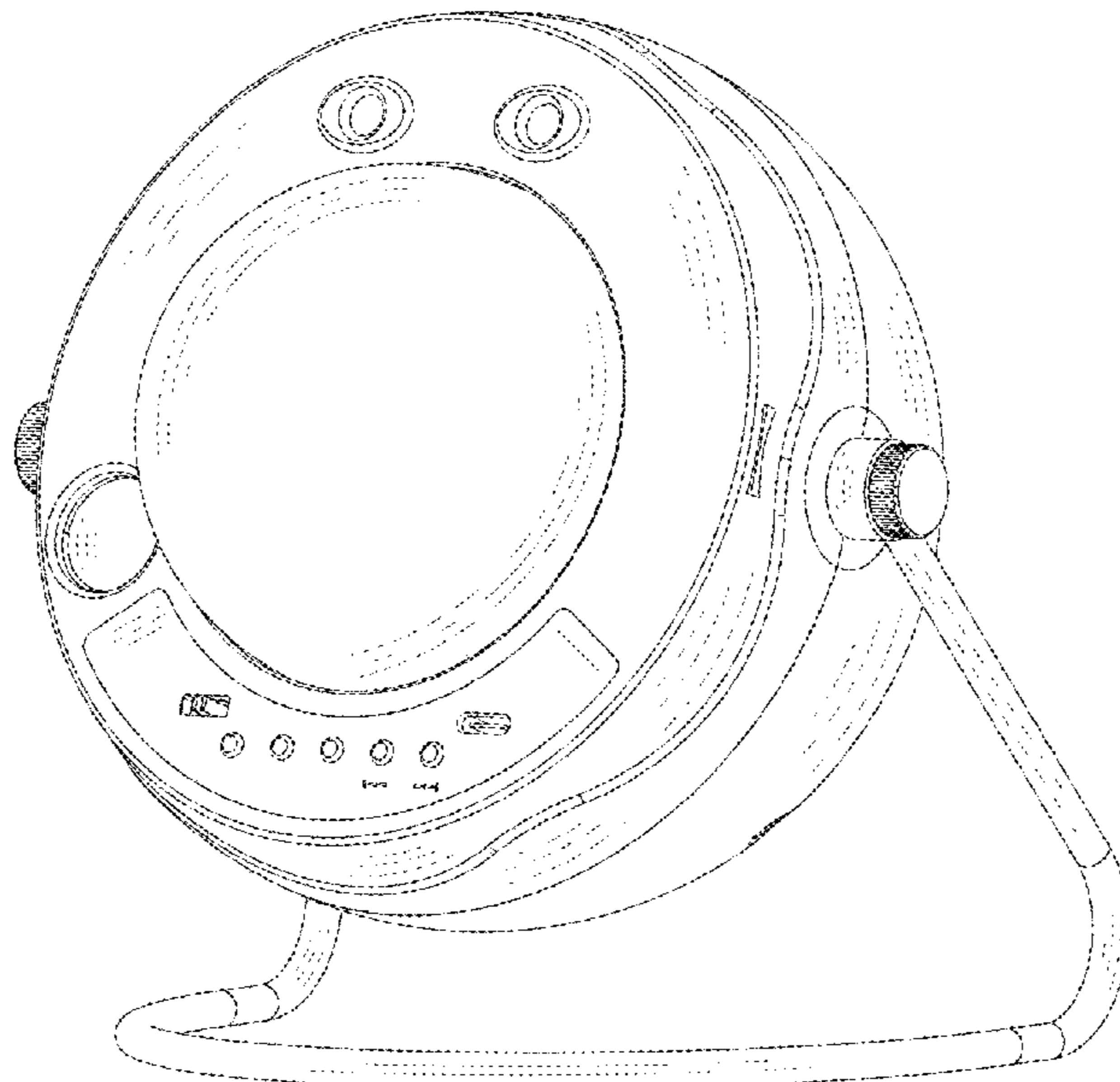
DESCRIPTION

FIG. 1 is a perspective view of a projector lamp showing my new design;
FIG. 2 is a front elevation view thereof;
FIG. 3 is a rear elevation view thereof;
FIG. 4 is a left side elevation view thereof;
FIG. 5 is a right side elevation view thereof;
FIG. 6 is a top plan view thereof; and,
FIG. 7 is a bottom plan view thereof.

1 Claim, 7 Drawing Sheets

(56) **References Cited**
U.S. PATENT DOCUMENTS

D617,930 S *	6/2010	Chen	D26/63
D638,571 S *	5/2011	Chilton	D26/93
D639,983 S	6/2011	Quadri		
D640,815 S *	6/2011	Yamada	D26/63
D687,590 S *	8/2013	Chilton	D26/93
D699,878 S	2/2014	Quadri		
D757,307 S *	5/2016	Wallach	D26/24



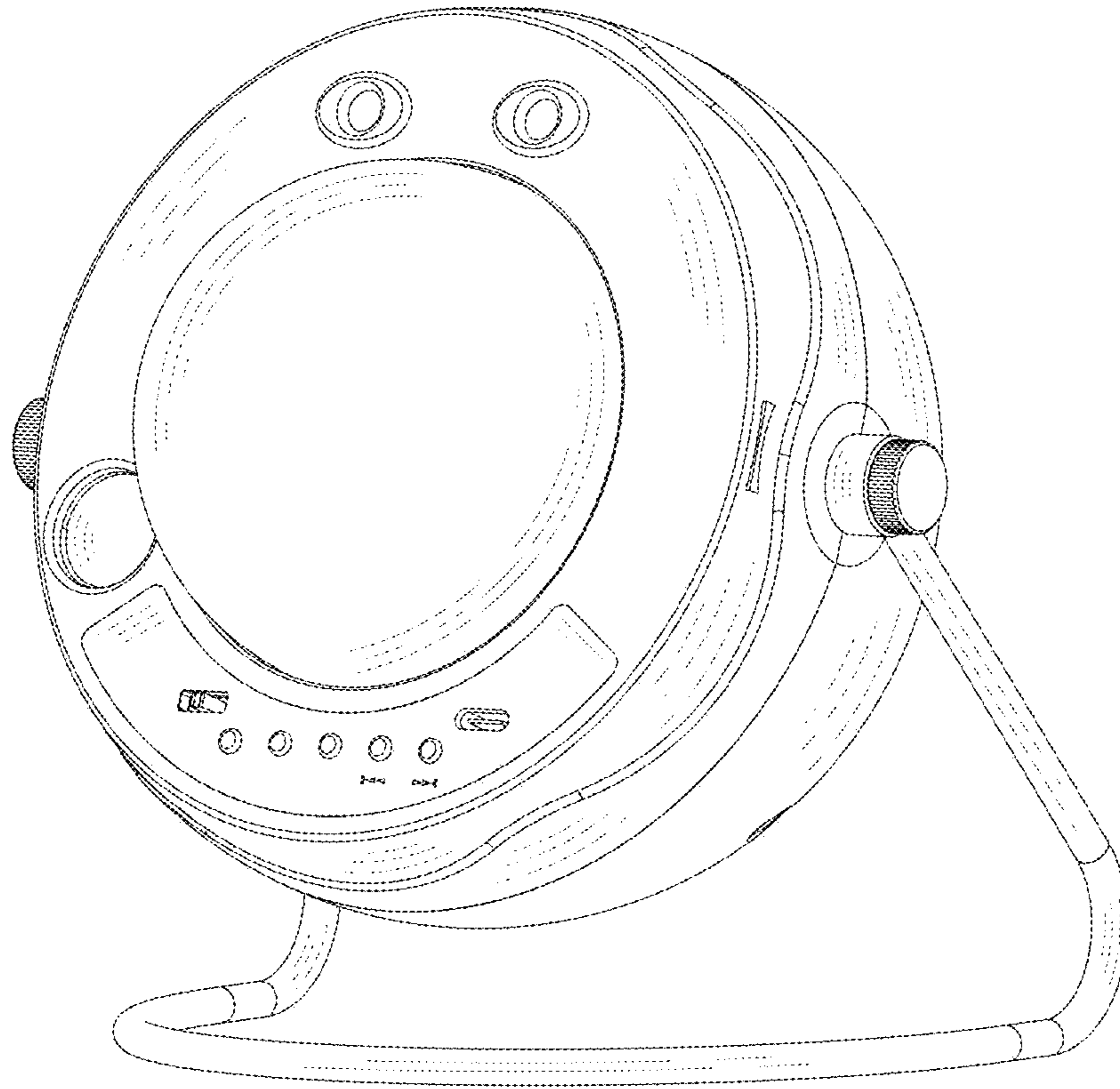


FIG. 1

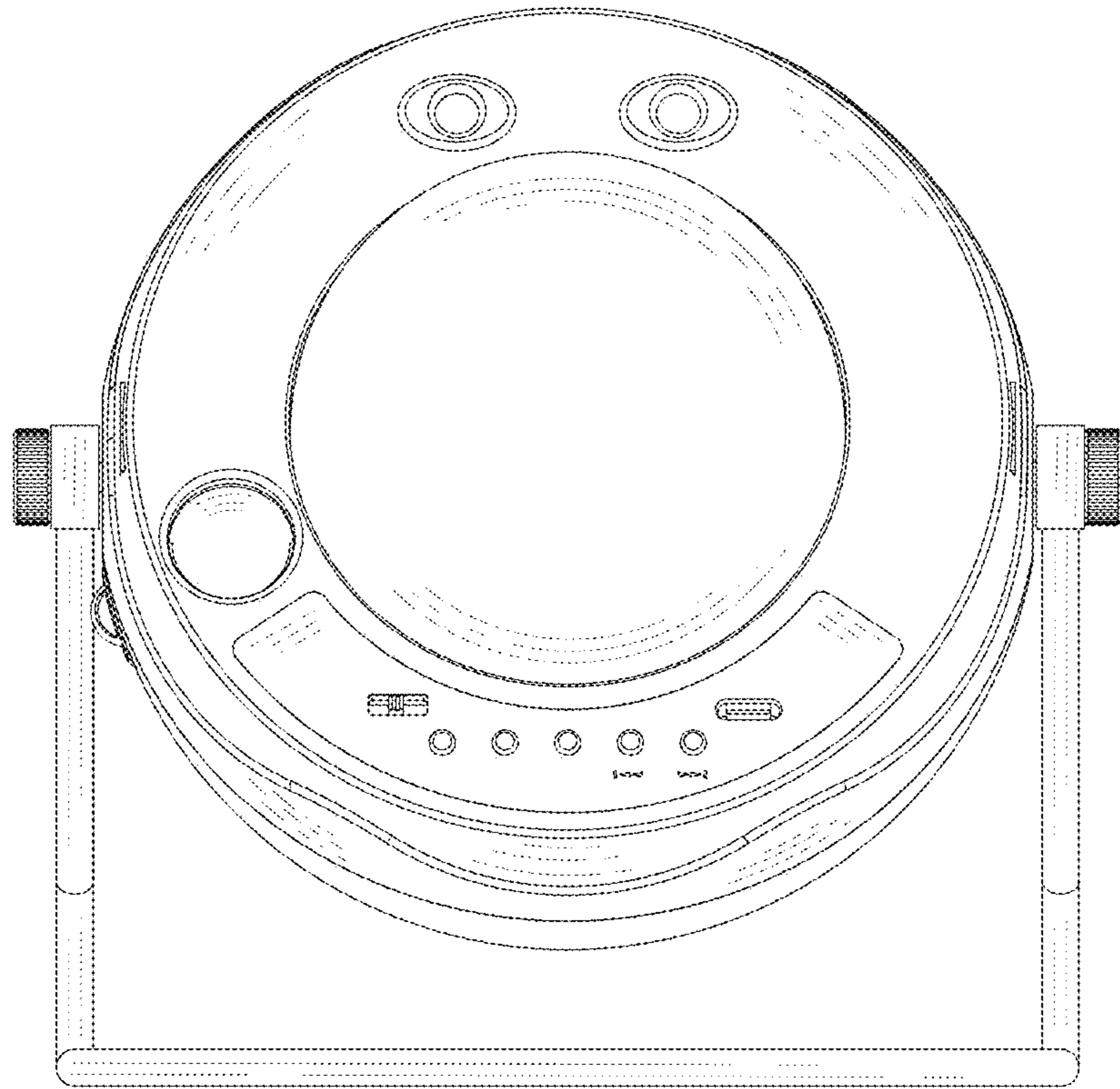


FIG. 2

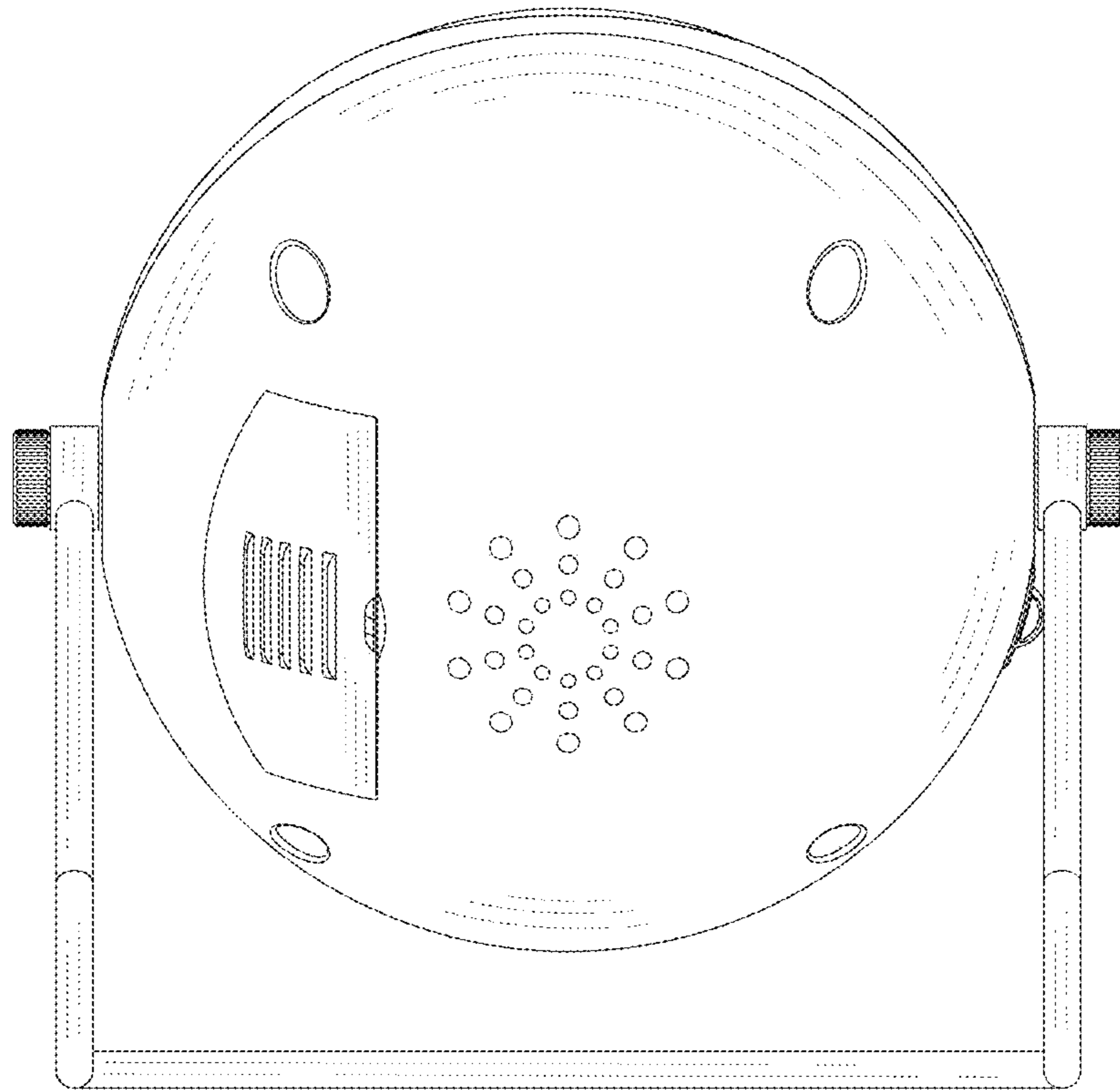


FIG. 3

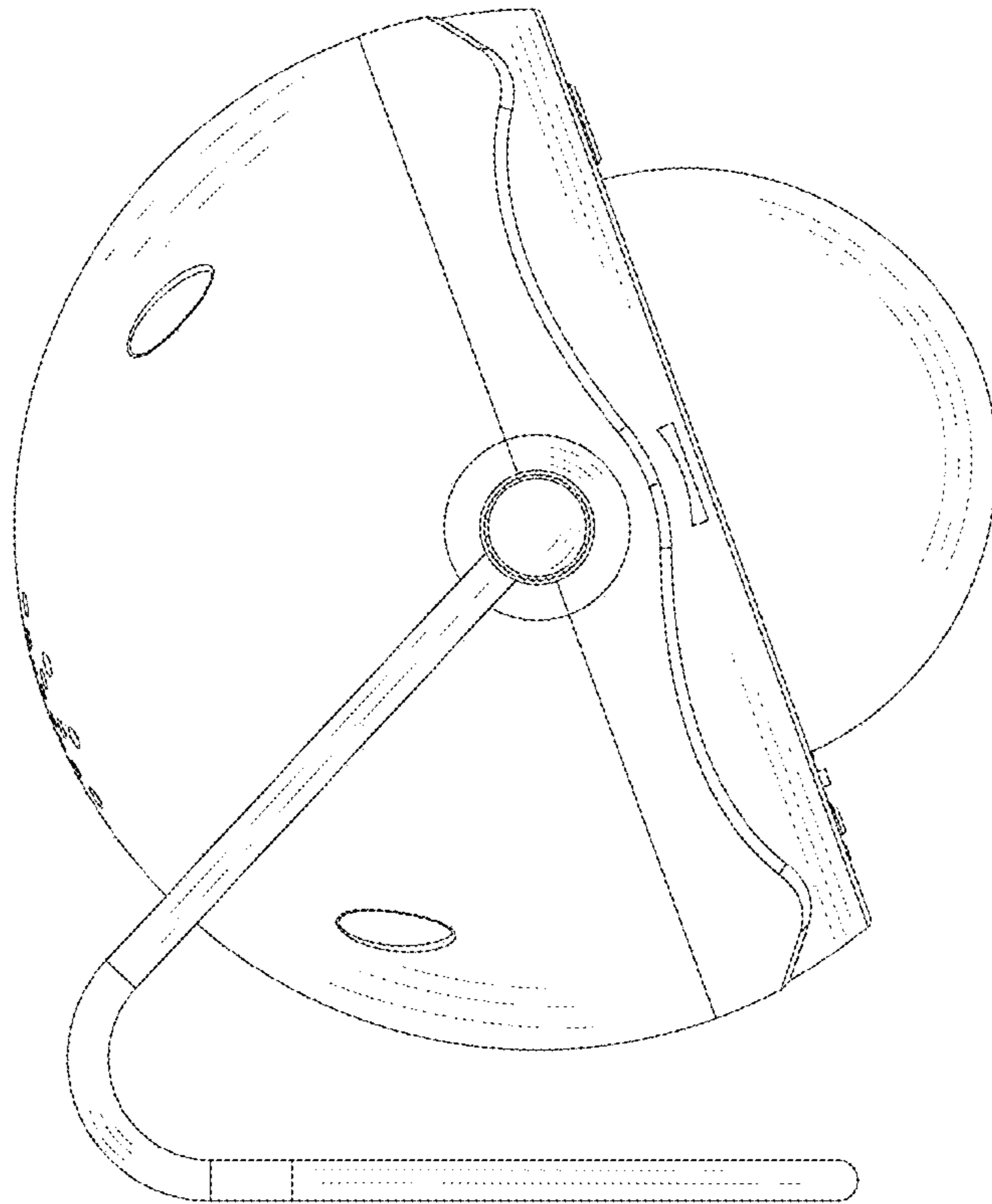


FIG. 4

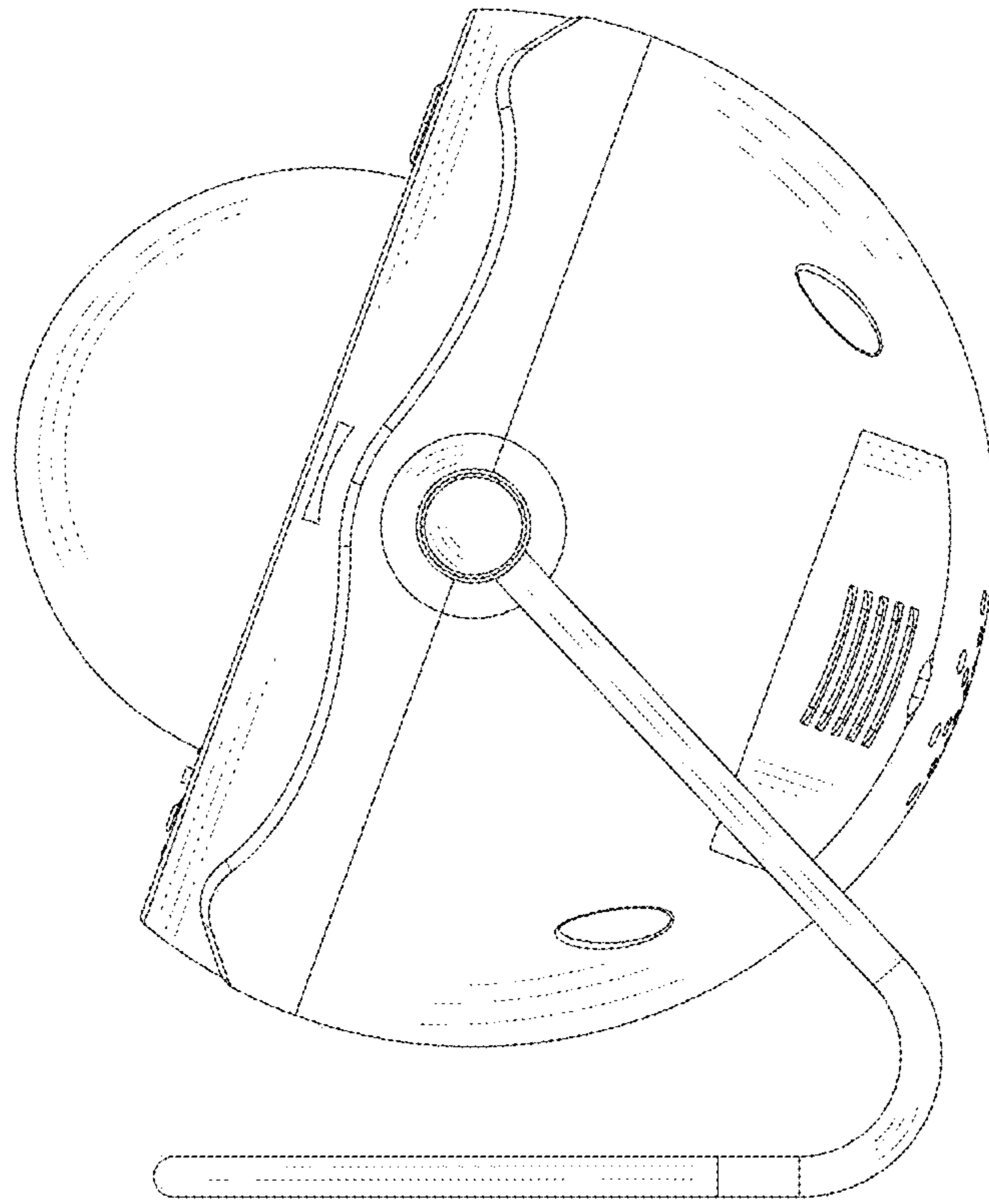


FIG. 5

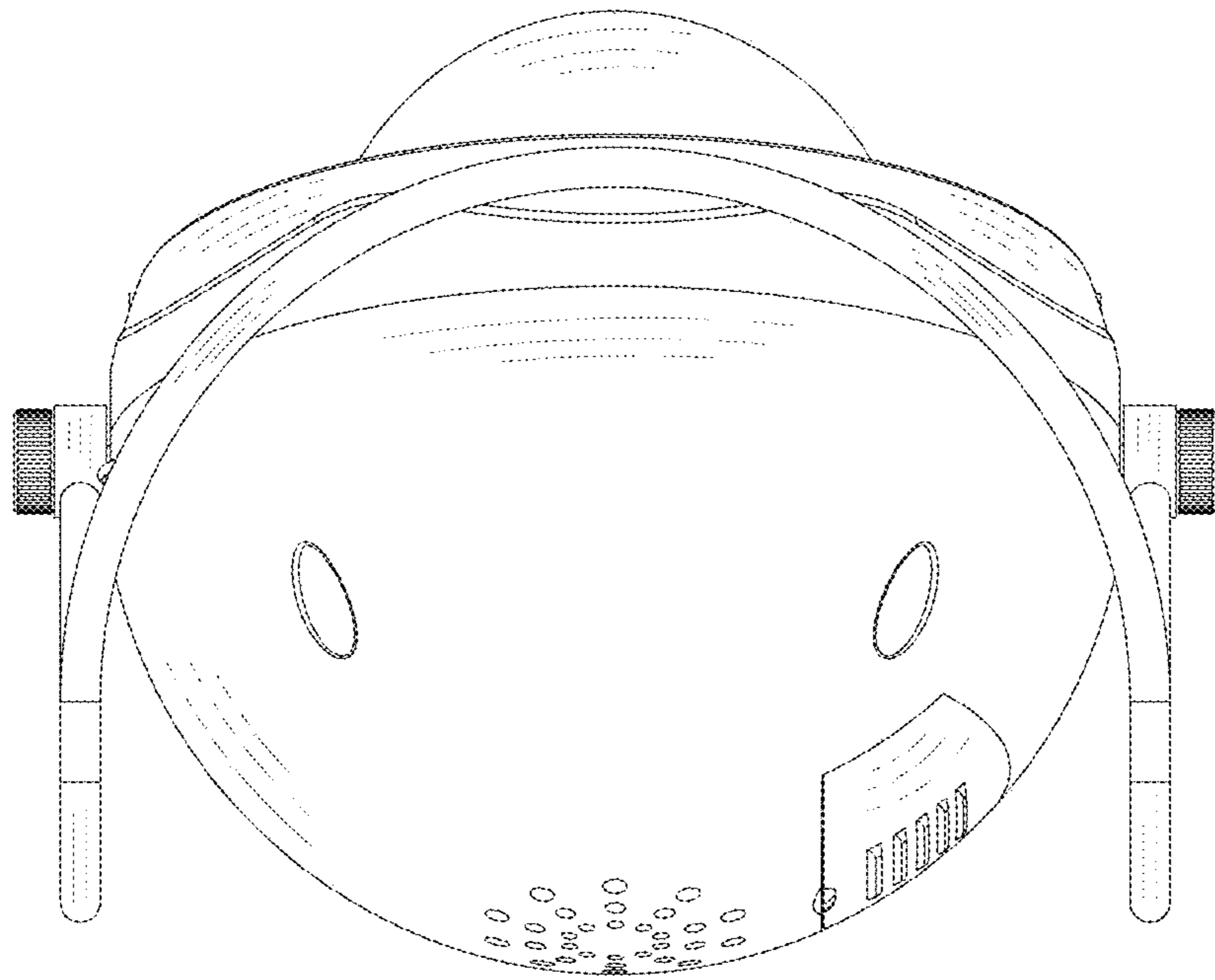


FIG. 6

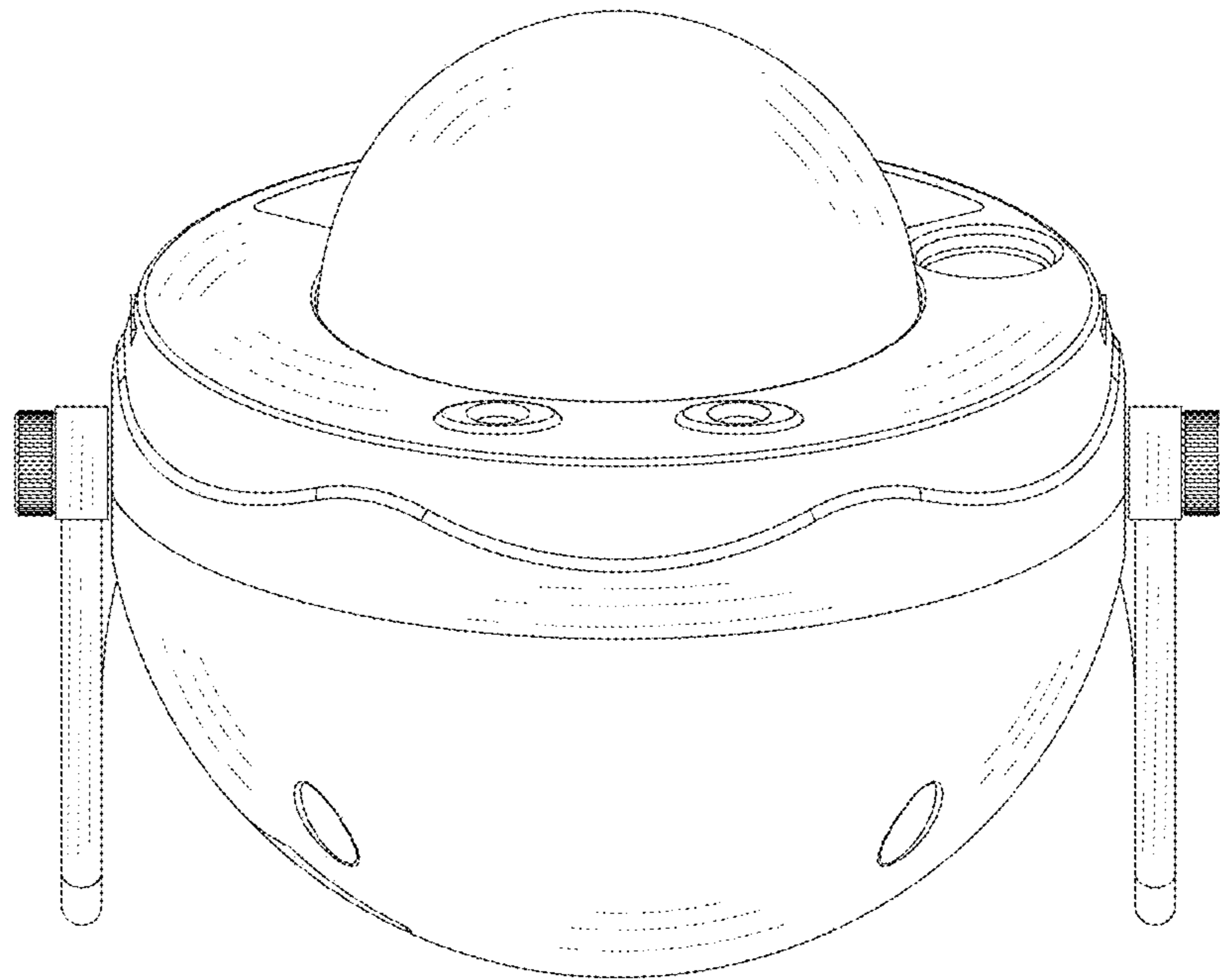


FIG. 7